

US00D795013S

(12) **United States Design Patent** (10) **Patent No.:** **US D795,013 S**  
**Shultz et al.** (45) **Date of Patent:** **\*\* Aug. 22, 2017**

(54) **DRINKING FLASK**  
(71) Applicant: **Hit Commerce Inc.**, Mount Pleasant, SC (US)  
(72) Inventors: **Natalie Camille Shultz**, Mount Pleasant, SC (US); **Richard John Stanton**, Mount Pleasant, SC (US)  
(73) Assignee: **Healthy Human, Inc.**, Mount Pleasant, SC (US)  
(\*\*) Term: **15 Years**

D623,896 S \* 9/2010 Wahl ..... D7/392.1  
D626,414 S \* 11/2010 Cresswell ..... D9/500  
D626,416 S \* 11/2010 Cresswell ..... D7/510  
D627,602 S \* 11/2010 Eyal ..... D7/510  
D629,691 S \* 12/2010 Cresswell ..... D9/500  
D652,255 S \* 1/2012 Carland ..... D7/510  
D653,082 S \* 1/2012 George ..... D7/510  
D702,506 S \* 4/2014 Mettler ..... D7/608  
D708,954 S \* 7/2014 Barnes ..... D7/511  
D760,586 S \* 7/2016 Seiders ..... D7/392.1  
D762,418 S \* 8/2016 Sorensen ..... D7/511  
D774,363 S \* 12/2016 Seiders ..... D7/608  
D774,837 S \* 12/2016 Seiders ..... D7/608  
D780,577 S \* 3/2017 Seiders ..... D7/392.1  
2005/0115966 A1\* 6/2005 Leoncavallo ..... B65D 25/56  
220/212.5

(21) Appl. No.: **29/534,972**  
(22) Filed: **Aug. 3, 2015**  
(51) **LOC (10) Cl.** ..... **07-01**  
(52) **U.S. Cl.**  
USPC ..... **D7/511; D7/536; D7/392.1; D7/396.2; D7/510**  
(58) **Field of Classification Search**  
USPC ..... D7/507, 509, 510, 511, 523, 529, 531, D7/532, 533, 535, 536, 508, 392.1, 396.2, D7/387, 543, 608; D8/33, 34; 220/592.16, 592.17, 295.03, 718, 719, 220/495.03, 62.12, 710.5; D9/517, 567, D9/554, 555, 558, 503, 504, 552, 540  
CPC .. B25B 13/52; B67B 7/00; B67B 7/14; B67B 7/16; A47G 19/22; A47G 19/2227; A45F 3/20  
See application file for complete search history.

\* cited by examiner

*Primary Examiner* — Marianne Pandozzi  
*Assistant Examiner* — Jae Liang  
(74) *Attorney, Agent, or Firm* — Gregory Finch

(57) **CLAIM**

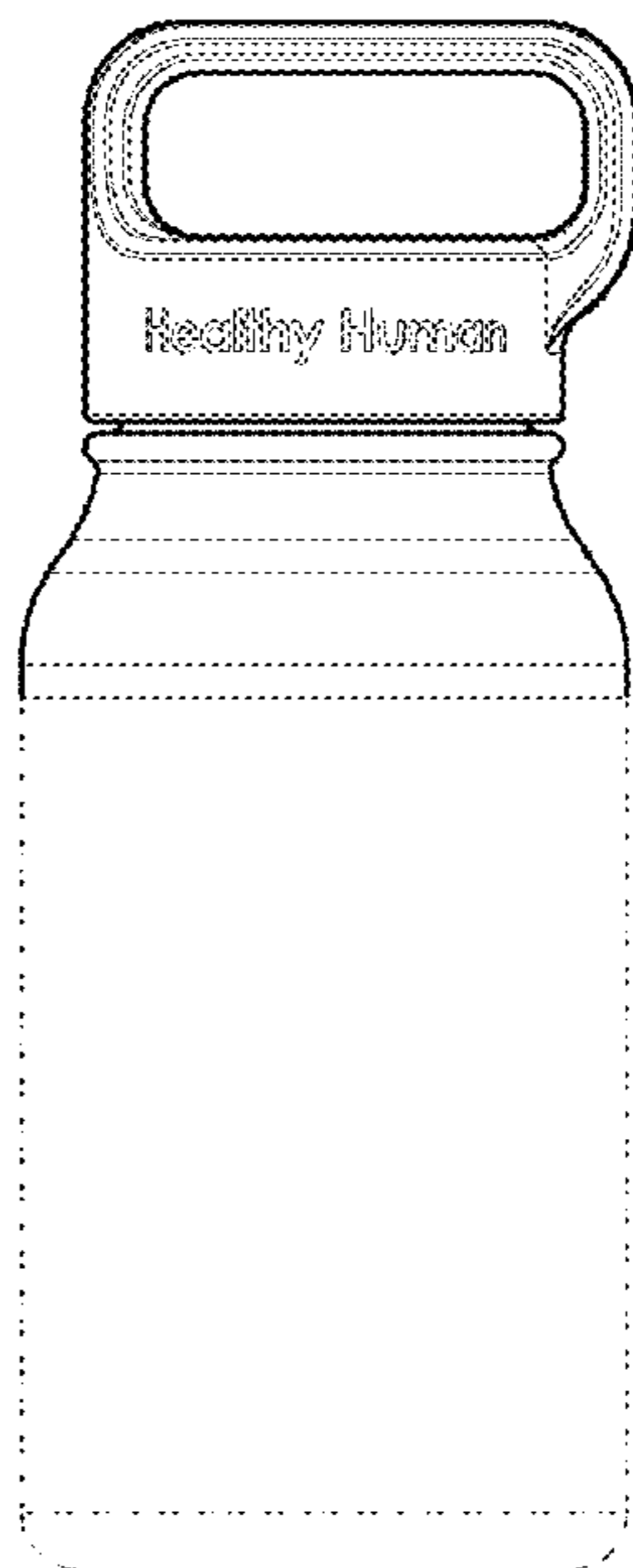
The ornamental design for a drinking flask, as shown and described.

**DESCRIPTION**

FIG. 1 is an isometric view of a drinking flask showing our new design;  
FIG. 2 is front view thereof;  
FIG. 3 is a left side view thereof;  
FIG. 4 is a right side view thereof;  
FIG. 5 is a top plan view thereof; and,  
FIG. 6 is a bottom plan view thereof.  
The broken lines in the drawings depict portions of the drinking flask that form no part of the claimed design.

(56) **References Cited**  
U.S. PATENT DOCUMENTS  
D524,909 S \* 7/2006 Bakke ..... D23/233  
D616,744 S \* 6/2010 Cresswell ..... D9/443

**1 Claim, 3 Drawing Sheets**



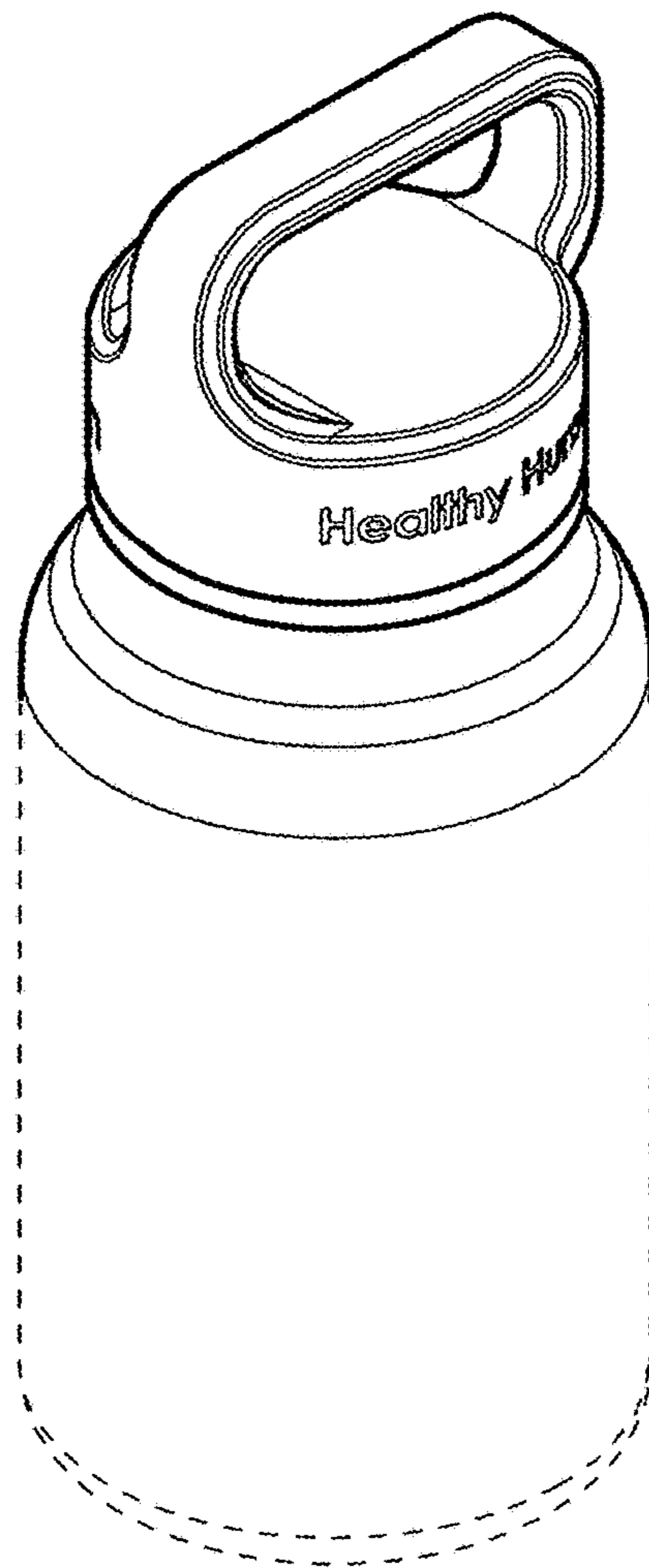
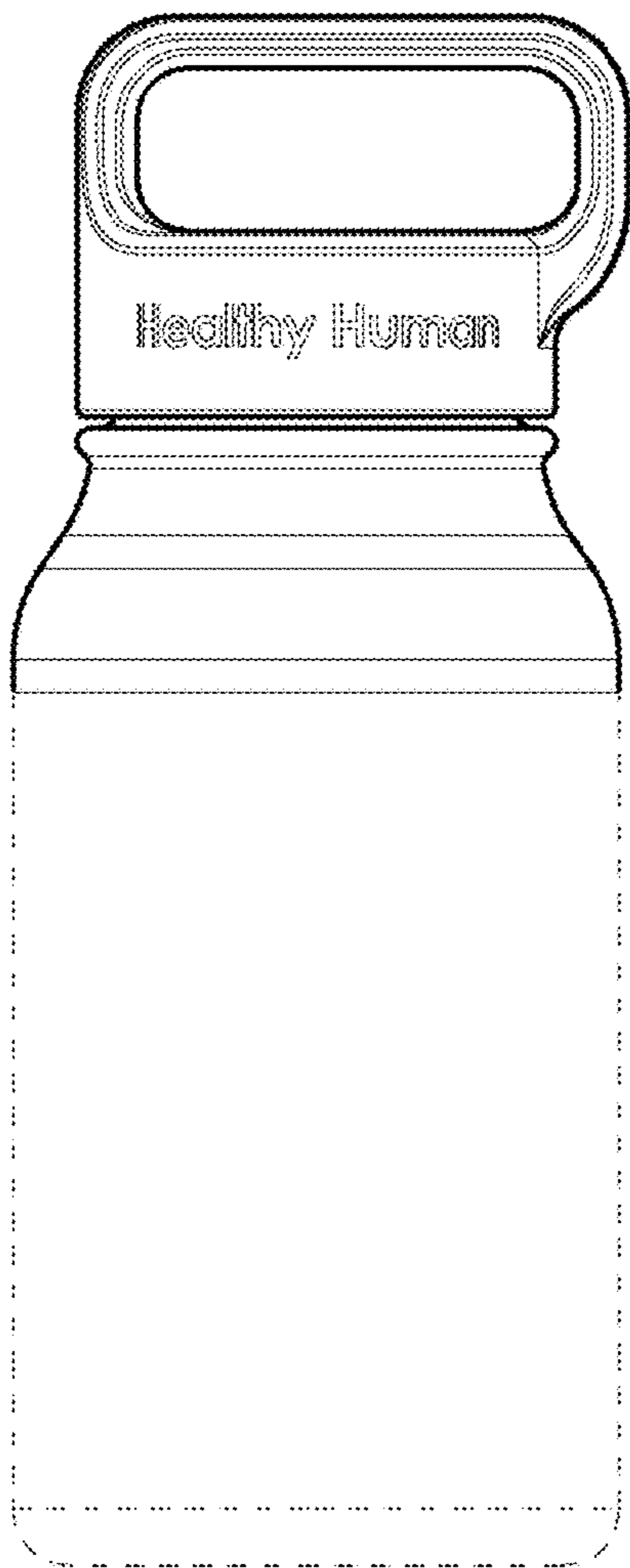
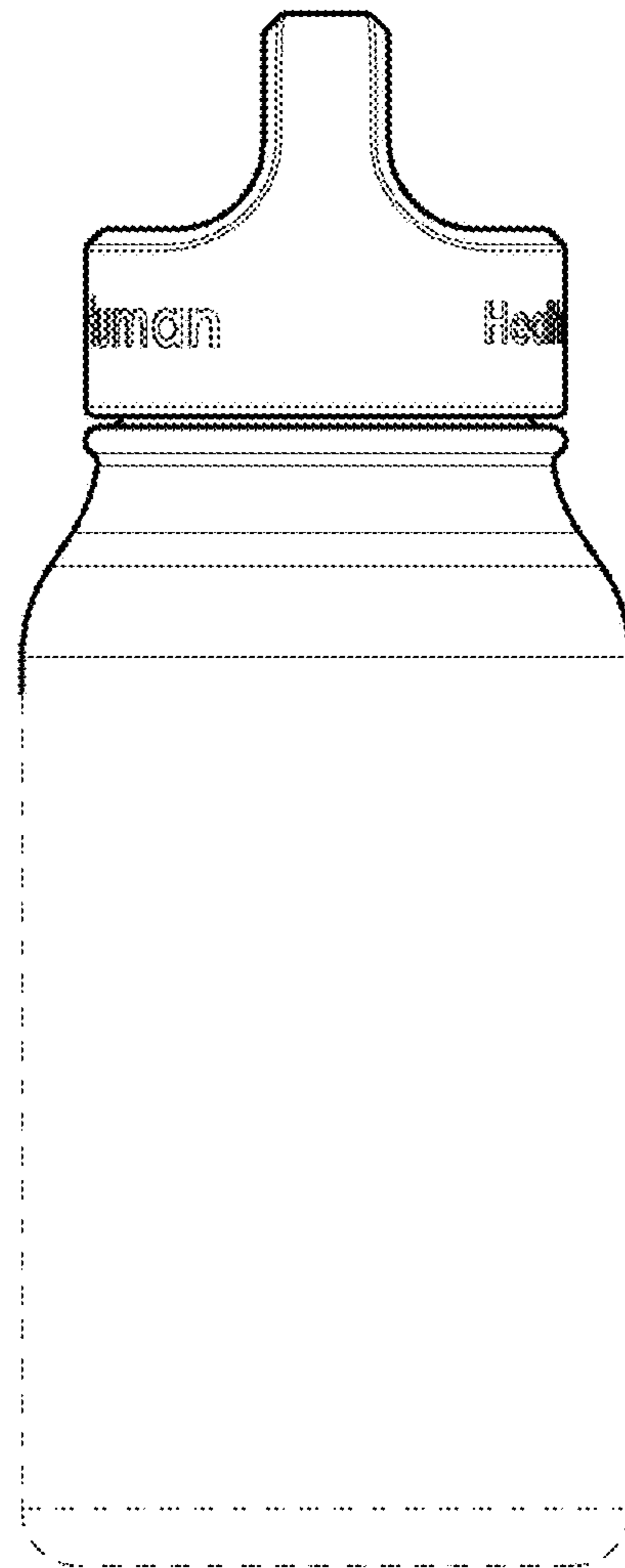


FIG. 1



**FIG. 2**



**FIG. 3**

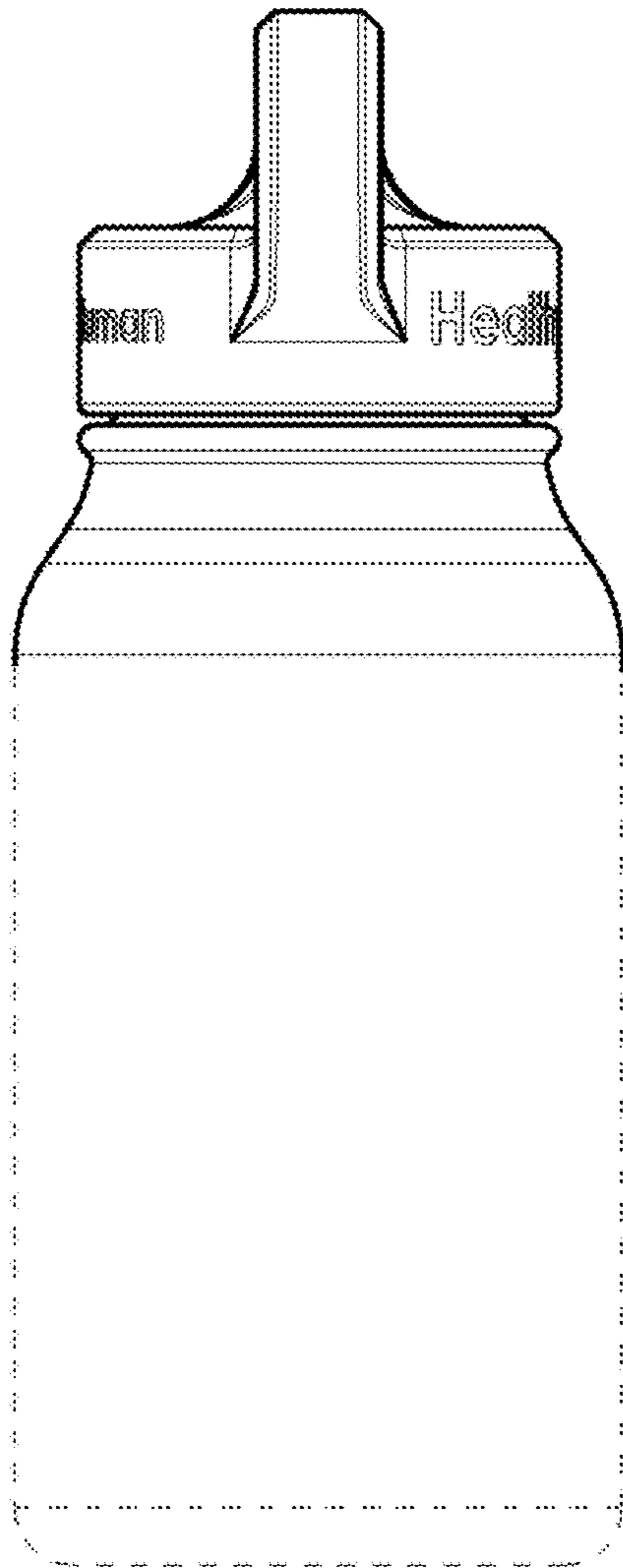


FIG. 4

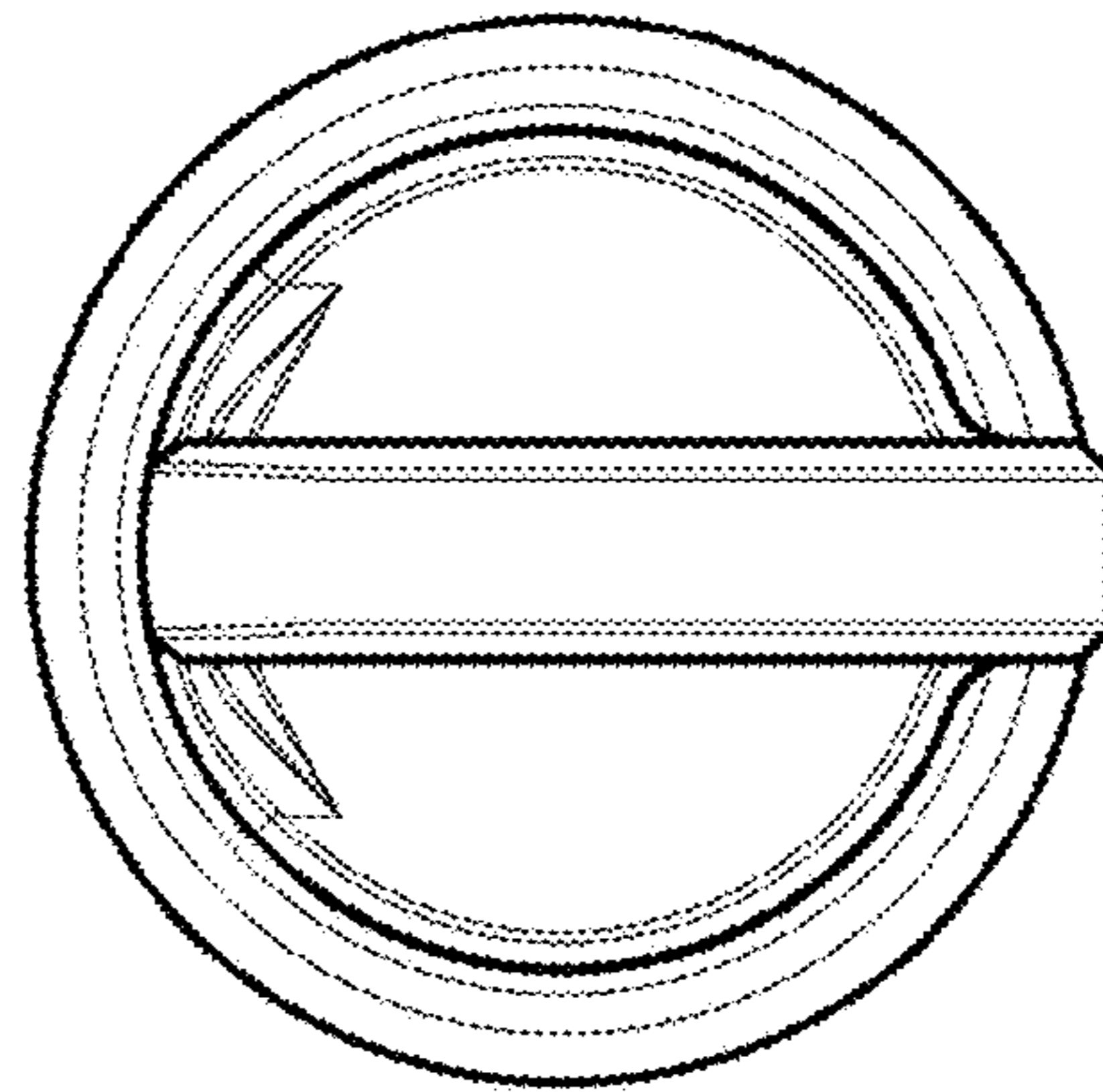


FIG. 5

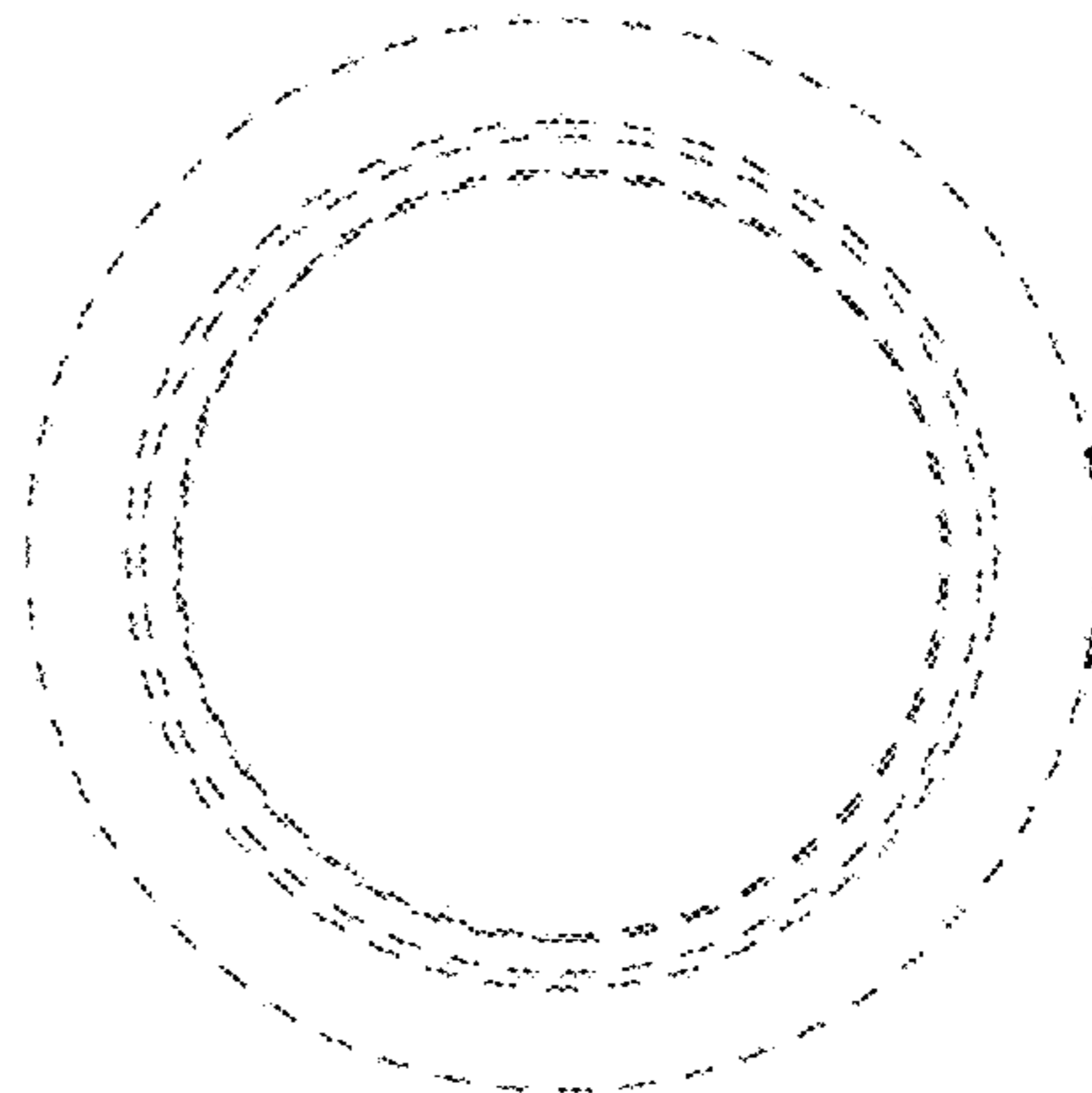


FIG. 6