



US00D795012S

(12) **United States Design Patent** (10) **Patent No.:** **US D795,012 S**  
**Rummel et al.** (45) **Date of Patent:** **\*\* Aug. 22, 2017**

(54) **DRINKING VESSEL WITH A LID**  
(71) Applicant: **BRITA GMBH**, Taunusstein (DE)  
(72) Inventors: **Christian Rummel**, Benningen (DE);  
**Tim Storti**, Schwieberdingen (DE)

D774,351 S \* 12/2016 Breit ..... D7/394  
D784,765 S \* 4/2017 Yao ..... D7/510  
2011/0278206 A1\* 11/2011 Hull ..... A47G 19/2266  
210/85  
2016/0316896 A1\* 11/2016 Breit ..... A45F 3/16

(73) Assignee: **BRITA GMBH**, Taunusstein (DE)  
(\*\*) Term: **15 Years**

FOREIGN PATENT DOCUMENTS

(21) Appl. No.: **29/574,743**  
(22) Filed: **Aug. 18, 2016**

DE 49912013-0001 2/2000  
DE 40011218-0001 11/2000  
DE 402010002629-0001 5/2010  
DE 402012004085-0012 9/2012  
DE 402012004085-0023 9/2012  
DE 402012004085-0025 9/2012  
EM 000605902-0001 10/2006  
EM 000605902-0002 10/2006  
JP 1391631 S 7/2009  
JP 1509480 S 12/2012

(30) **Foreign Application Priority Data**

\* cited by examiner

Mar. 24, 2016 (EP) ..... 003 040 906

(51) **LOC (10) Cl.** ..... **07-01**  
(52) **U.S. Cl.**  
USPC ..... **D7/510**

*Primary Examiner* — Daniel Bui  
*Assistant Examiner* — Andrew Kerr

(58) **Field of Classification Search**  
USPC ..... D07/510, 511, 523, 529, 532, 533–536,  
D07/608, 300.1, 591, 392.1, 396.2;  
D09/503, 504, 516–575  
CPC ..... A47G 19/22; A47G 19/2205; A47G  
19/2266; A47G 19/2272; A45F 3/16  
See application file for complete search history.

(74) *Attorney, Agent, or Firm* — Hudak, Shunk & Farine  
Co. LPA

(56) **References Cited**

(57) **CLAIM**

The ornamental design for a “drinking vessel with a lid,” as shown and described.

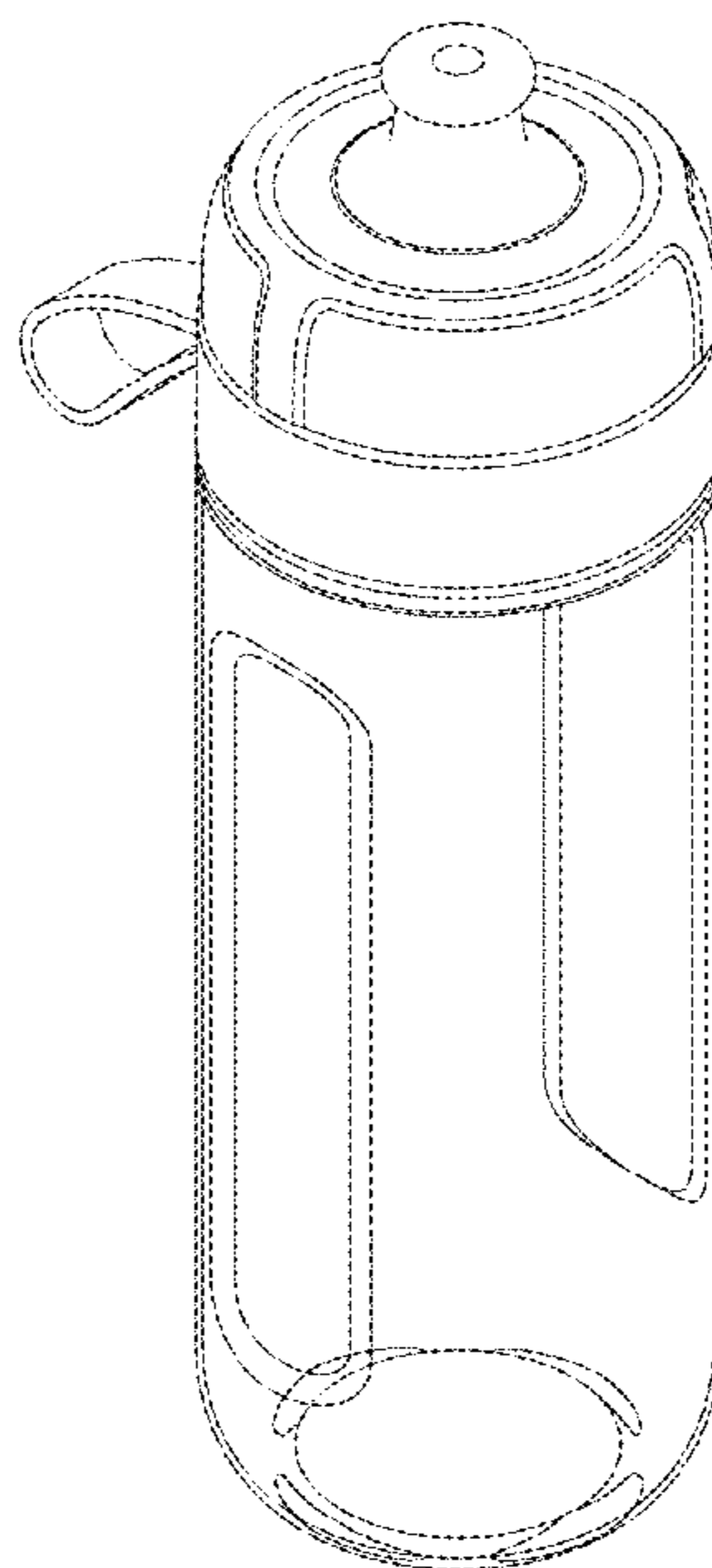
U.S. PATENT DOCUMENTS

**DESCRIPTION**

D512,874 S \* 12/2005 Poulson ..... D7/510  
D699,516 S 2/2014 Kim  
D724,896 S 3/2015 Williams  
D736,562 S 8/2015 Green  
D753,442 S \* 4/2016 Weernink ..... D7/507  
D772,652 S \* 11/2016 Yao ..... D7/510

FIG. 1 is a front and right side perspective view of a drinking vessel with a lid, showing our new design;  
FIG. 2 is a top view thereof;  
FIG. 3 is a bottom view thereof;  
FIG. 4 is a right side view thereof;  
FIG. 5 is a left side view thereof;  
FIG. 6 is a front view thereof; and,  
FIG. 7 is a rear view thereof.

**1 Claim, 7 Drawing Sheets**



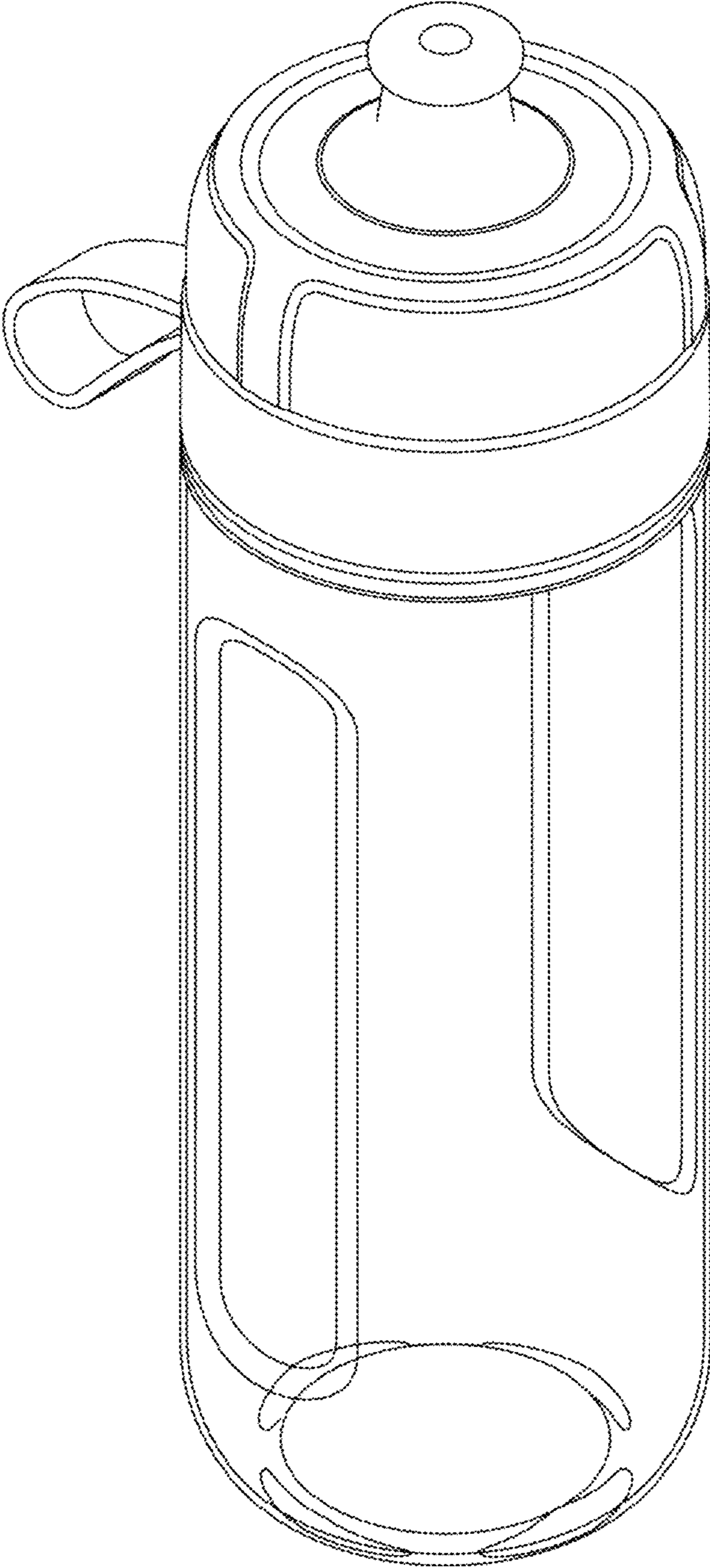
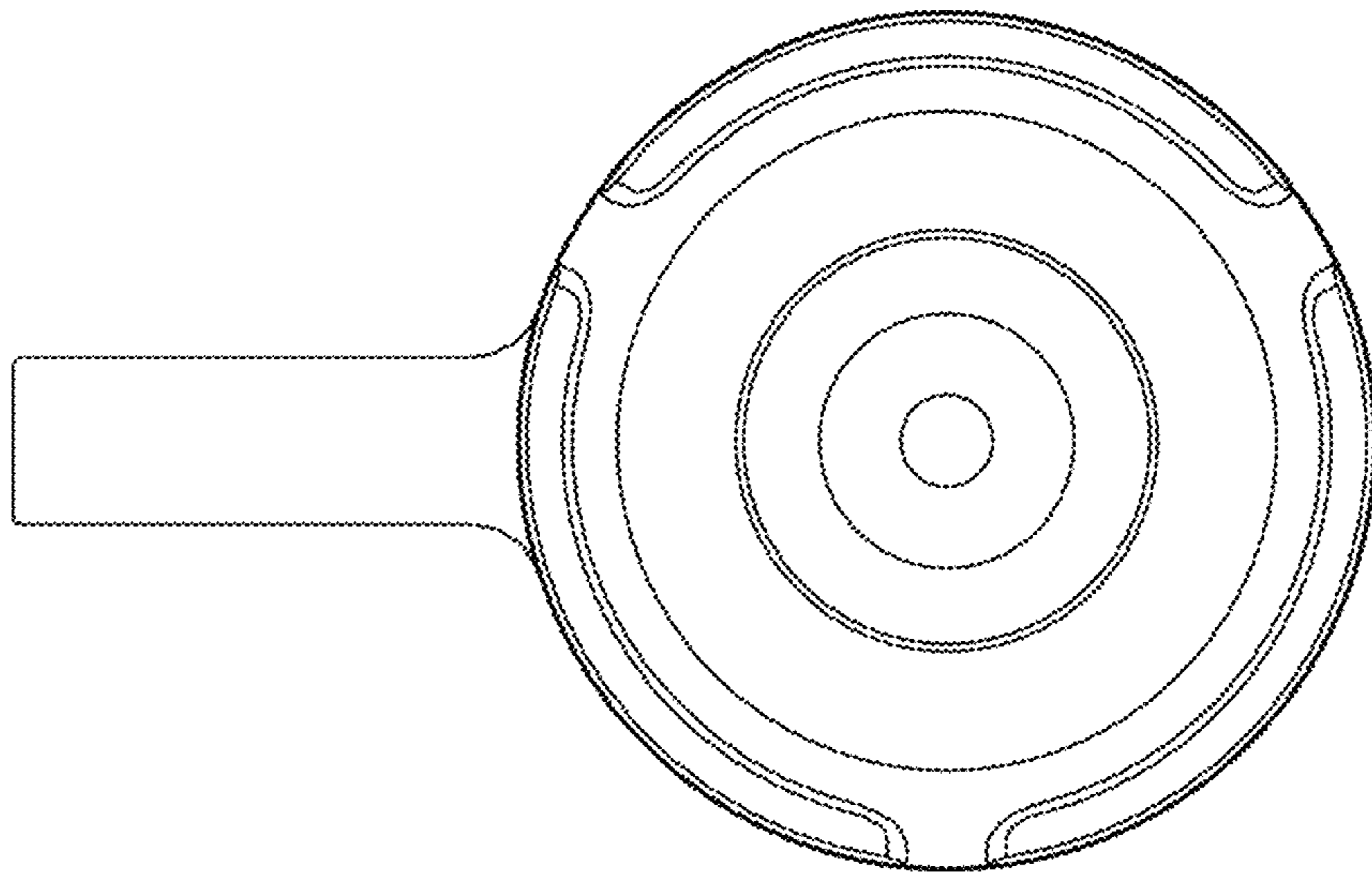
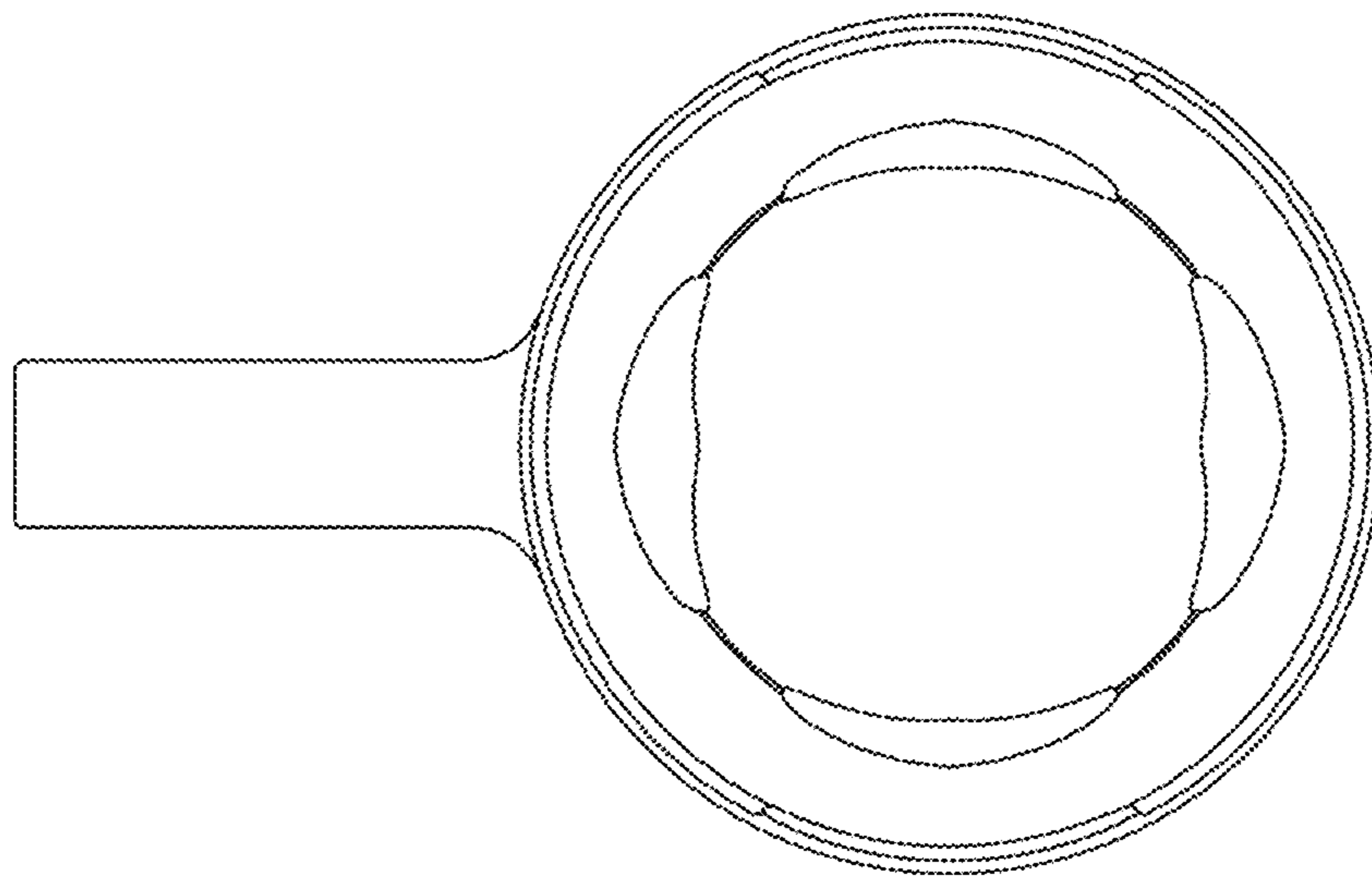


FIG. 1



**FIG. 2**



**FIG. 3**

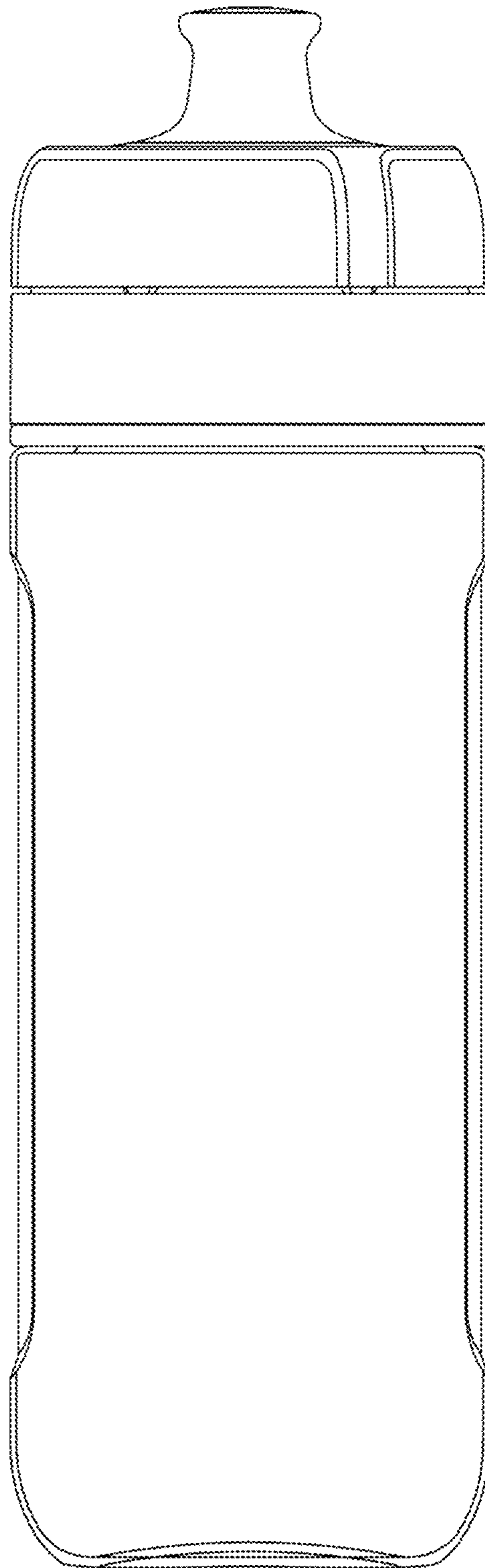


FIG. 4

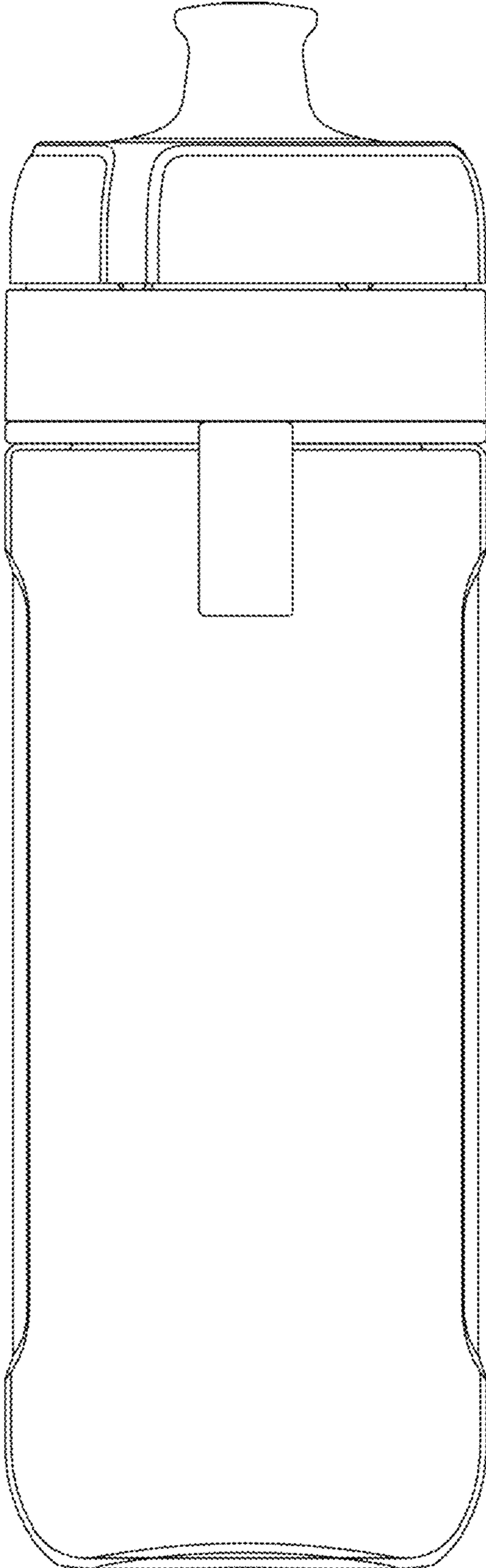


FIG. 5

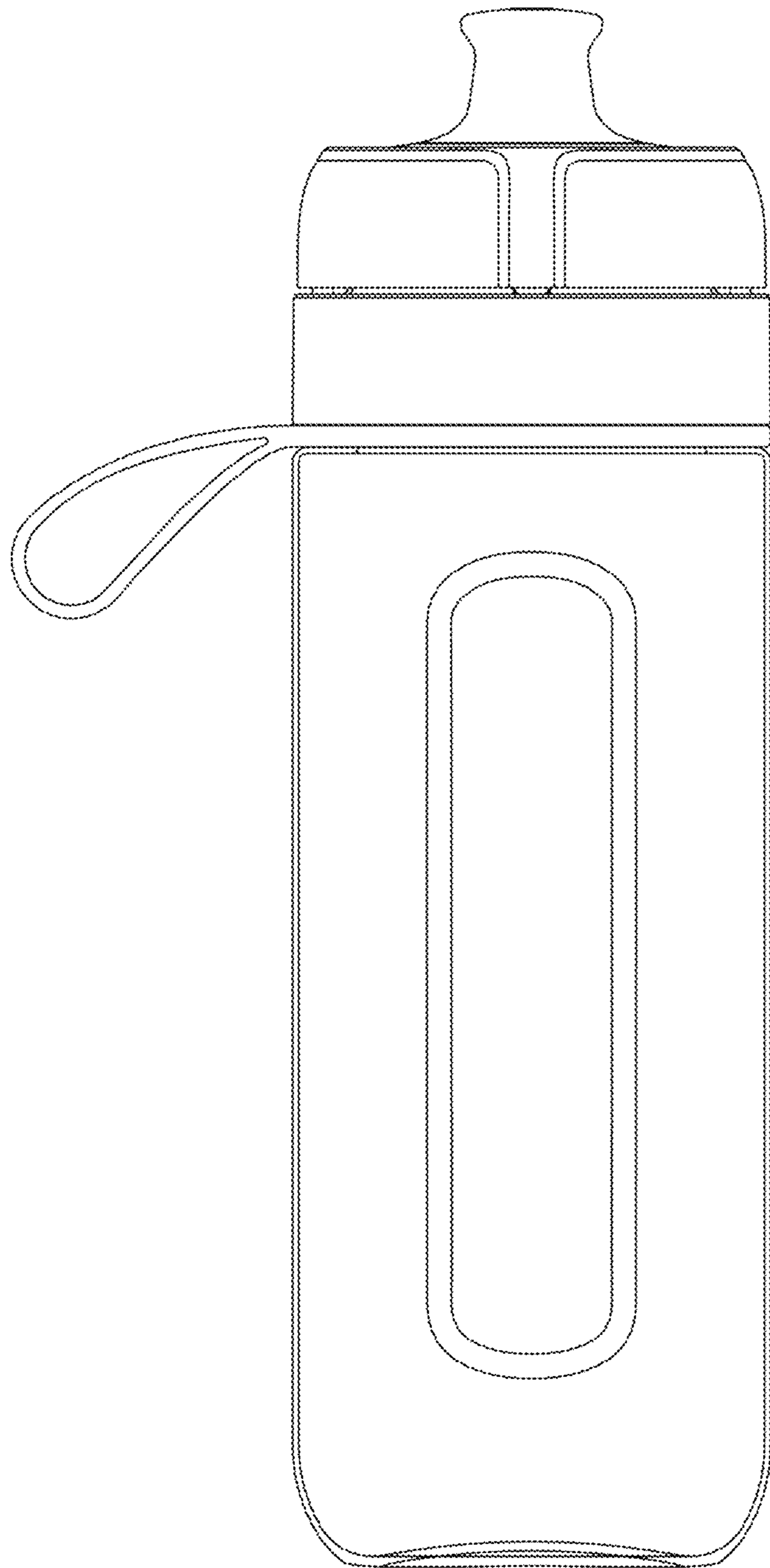


FIG. 6

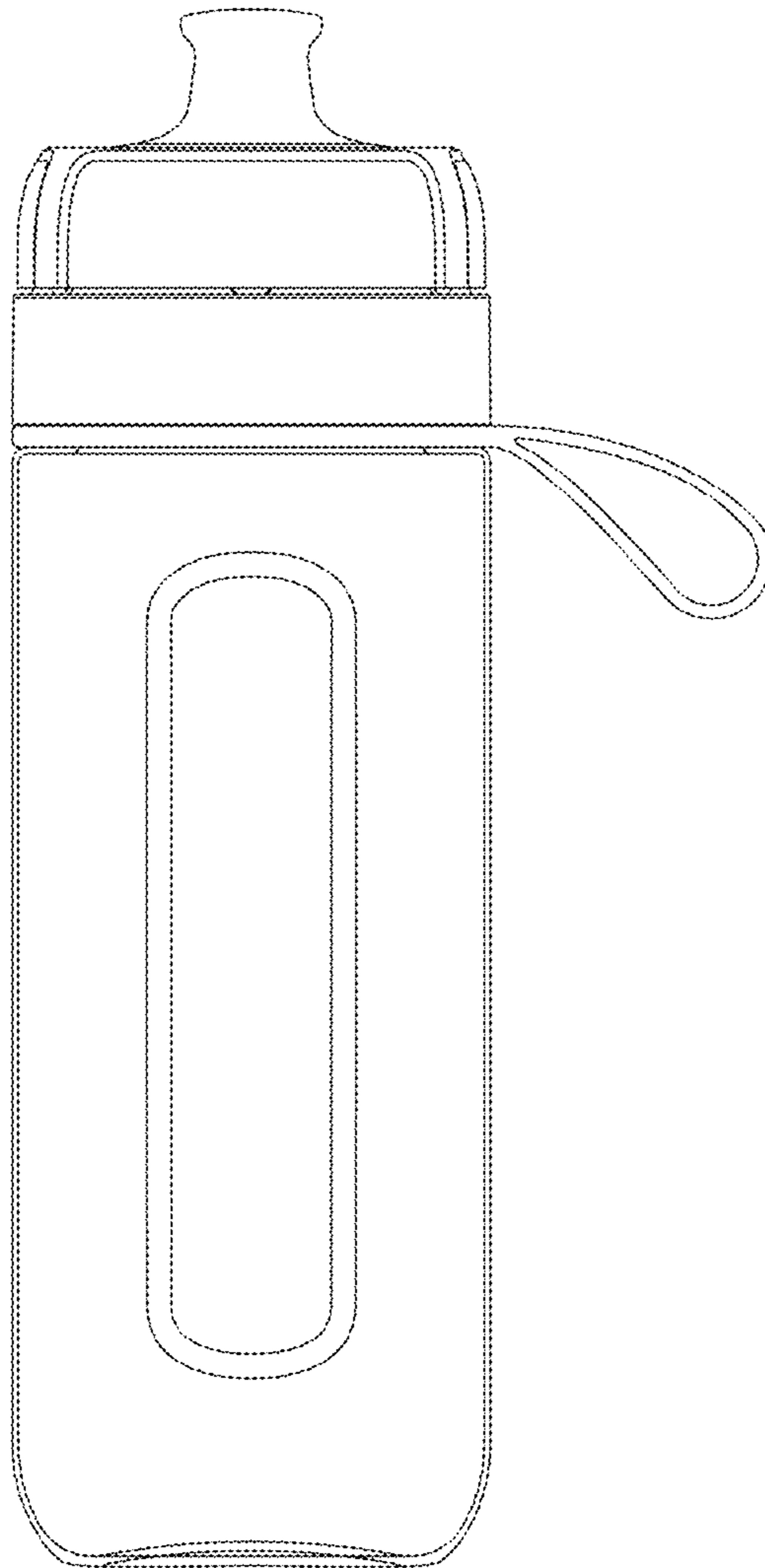


FIG. 7