



US00D795011S

(12) **United States Design Patent**
Pisarevsky

(10) **Patent No.:** **US D795,011 S**

(45) **Date of Patent:** **** Aug. 22, 2017**

- (54) **BEVERAGE CONTAINER**
- (71) Applicant: **Eric Pisarevsky**, Montreal (CA)
- (72) Inventor: **Eric Pisarevsky**, Montreal (CA)
- (**) Term: **15 Years**
- (21) Appl. No.: **29/550,341**
- (22) Filed: **Jan. 1, 2016**
- (51) **LOC (10) Cl.** **07-01**
- (52) **U.S. Cl.**
USPC **D7/510; D7/511; D7/507; D7/608**
- (58) **Field of Classification Search**
USPC D7/507, 509, 510, 511, 512, 523, 531,
D7/532, 533, 535, 536, 608, 392.1, 396.2,
D7/529, 667; D9/435, 436, 449, 442,
D9/443, 500, 502, 503, 504, 529, 447;
220/592.16, 592.17, 62.12, 703
CPC A45F 3/16; B65D 47/066; A47J 43/27;
A47G 19/2272; A47G 19/2211; A47G
19/22; A47G 19/2222
See application file for complete search history.

(56) **References Cited**

U.S. PATENT DOCUMENTS

D455,611 S *	4/2002	Kitamura	D7/608
D485,132 S *	1/2004	Ohno	D7/608
D588,411 S *	3/2009	Watanabe	D7/507
D596,460 S *	7/2009	Nezu	D7/510
RE42,484 E *	6/2011	Kitamura	D7/510
D655,580 S *	3/2012	Kotani	D7/608
D668,503 S *	10/2012	Kotani	D7/392.1
D675,060 S *	1/2013	Lane	D7/392.1
D676,708 S *	2/2013	Lane	D7/510
D686,872 S *	7/2013	Lane	D7/392.1
D690,557 S *	10/2013	Carreno	D7/510
D690,558 S *	10/2013	Lane	D7/510
D690,559 S *	10/2013	Lane	D7/510
D695,069 S *	12/2013	Lane	D7/510

D698,428 S *	1/2014	Sands	D23/314
D700,808 S *	3/2014	Eyal	D7/510
D718,626 S *	12/2014	Lane	B65D 41/62 D9/449
D725,966 S *	4/2015	Boroski	D7/511
D729,585 S *	5/2015	Boroski	D7/511
D730,119 S *	5/2015	He	D7/507
D730,122 S *	5/2015	He	D7/510
D741,655 S *	10/2015	Whelan	D7/300.1
D743,742 S *	11/2015	Rummel	D7/511
D744,290 S *	12/2015	Endo	D7/608
D744,781 S *	12/2015	Rummel	D7/511
D761,058 S *	7/2016	Ou	D7/510
D773,255 S *	12/2016	Horimoto	D7/608
D778,677 S *	2/2017	Boroski	D7/510

(Continued)

Primary Examiner — Marianne Pandozzi

Assistant Examiner — Jae Liang

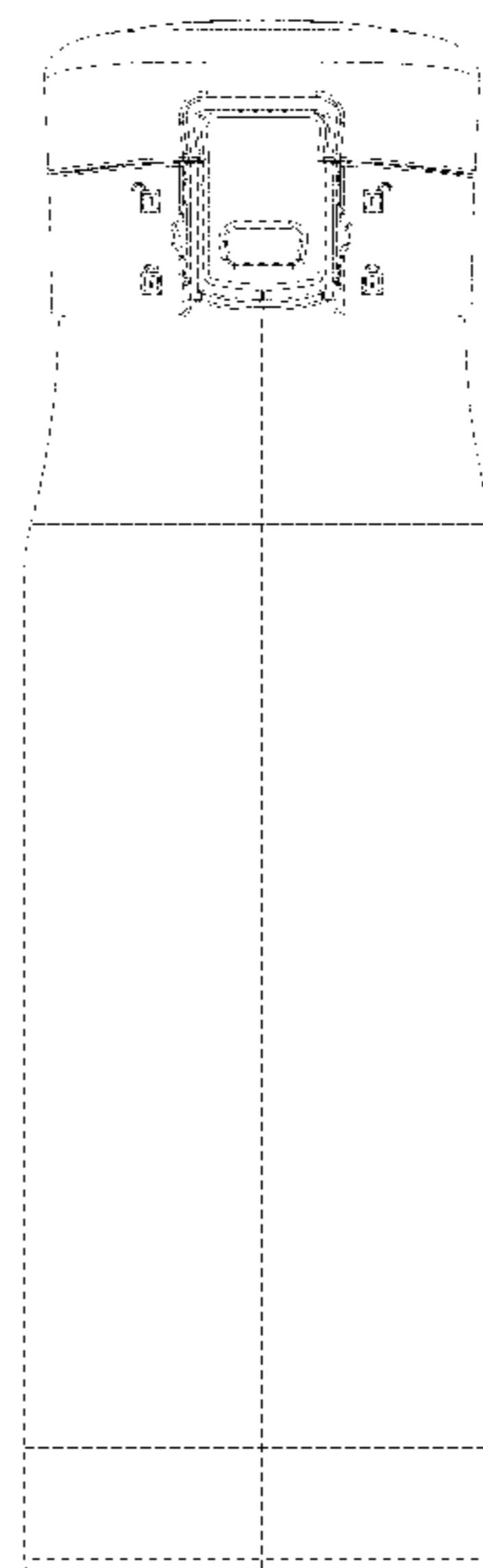
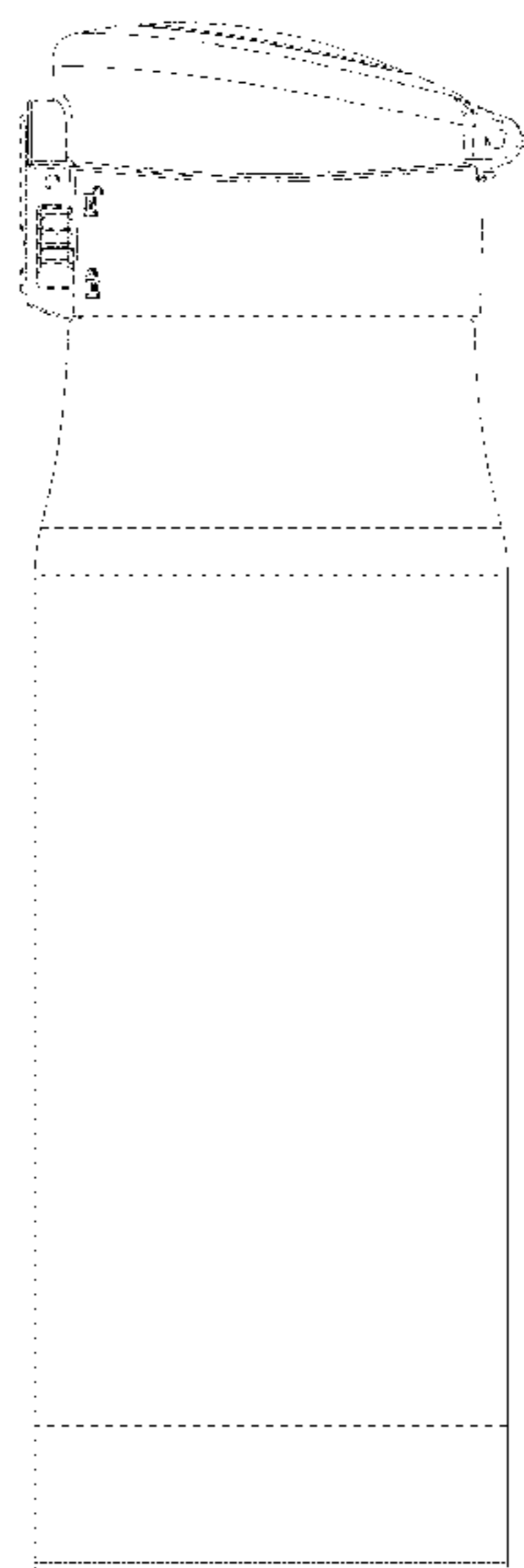
(57) **CLAIM**

The ornamental design for a beverage container, as shown and described.

DESCRIPTION

FIG. 1 is a top perspective view of the beverage container showing my new design;
 FIG. 2 is an exploded view thereof at a reduced scale;
 FIG. 3 is a right side view thereof;
 FIG. 4 is a left side view thereof;
 FIG. 5 is a front view thereof;
 FIG. 6 is a rear view thereof;
 FIG. 7 is a top view thereof;
 FIG. 8 is a bottom view thereof;
 FIG. 9 is a top perspective view of the beverage container in its opened position;
 FIG. 10 is a right side view of FIG. 9; and,
 FIG. 11 is a front view of FIG. 9.
 The broken lines in the drawing depict portions of the beverage container that form no part of the claimed design.

1 Claim, 7 Drawing Sheets



(56)

References Cited

U.S. PATENT DOCUMENTS

D780,578 S * 3/2017 Lane D7/396.2
2013/0220966 A1* 8/2013 Lane A45F 3/16
215/228

* cited by examiner

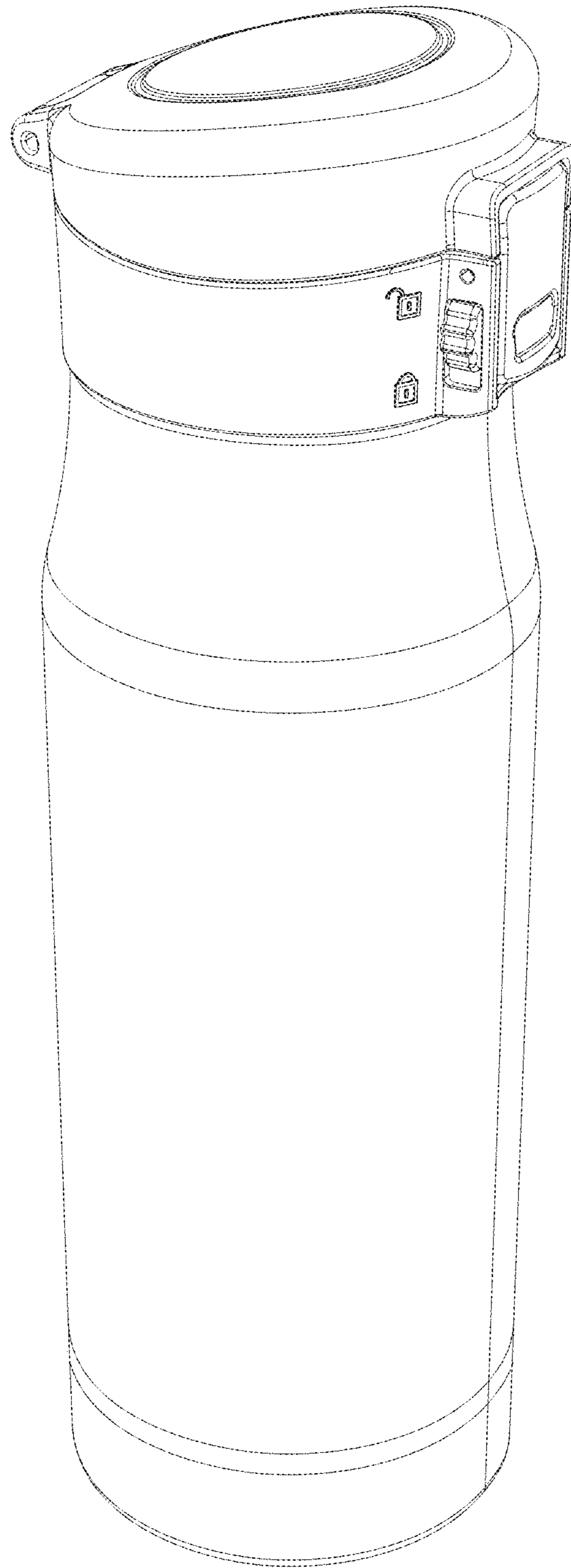


fig. 1

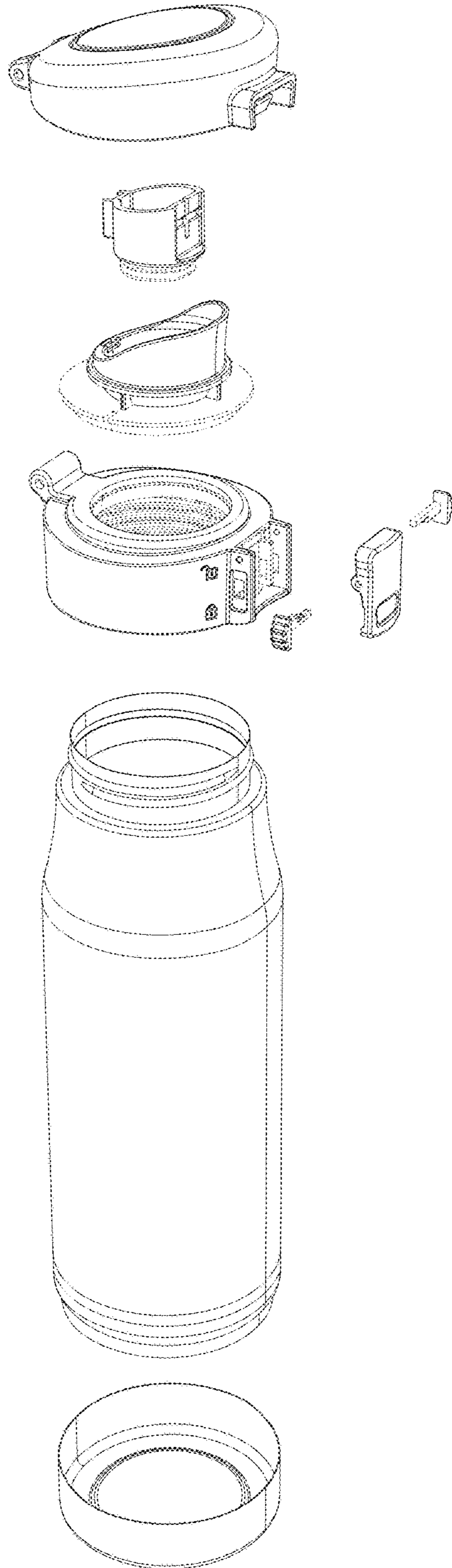


fig.2

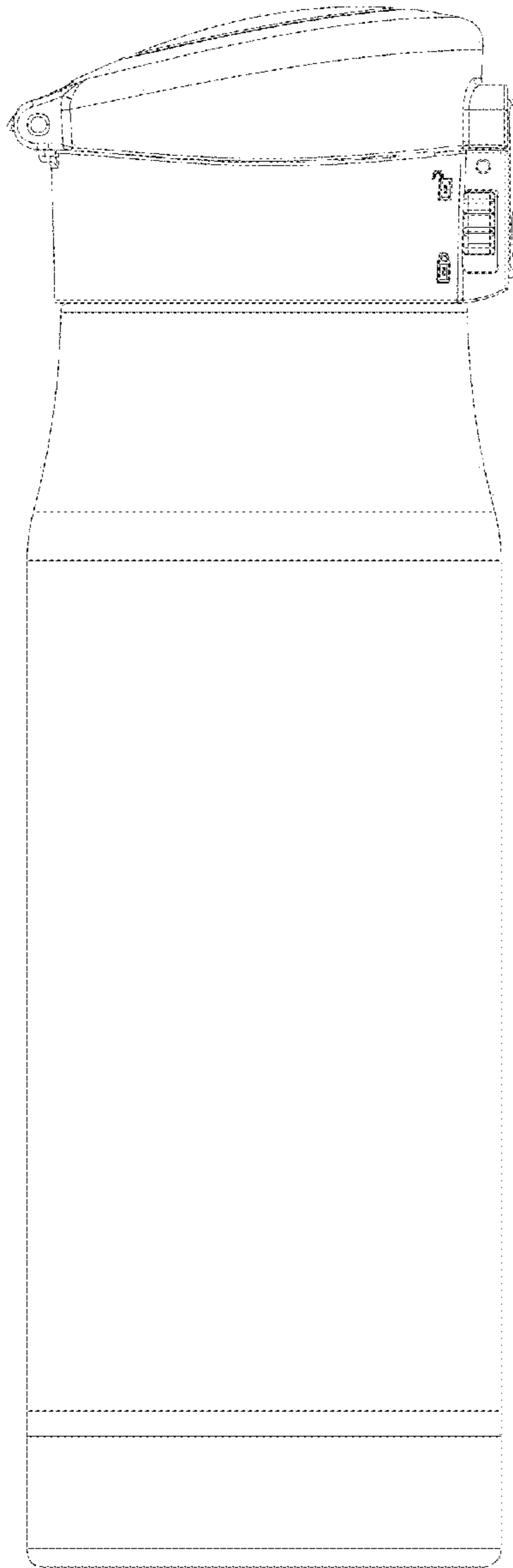


fig.3

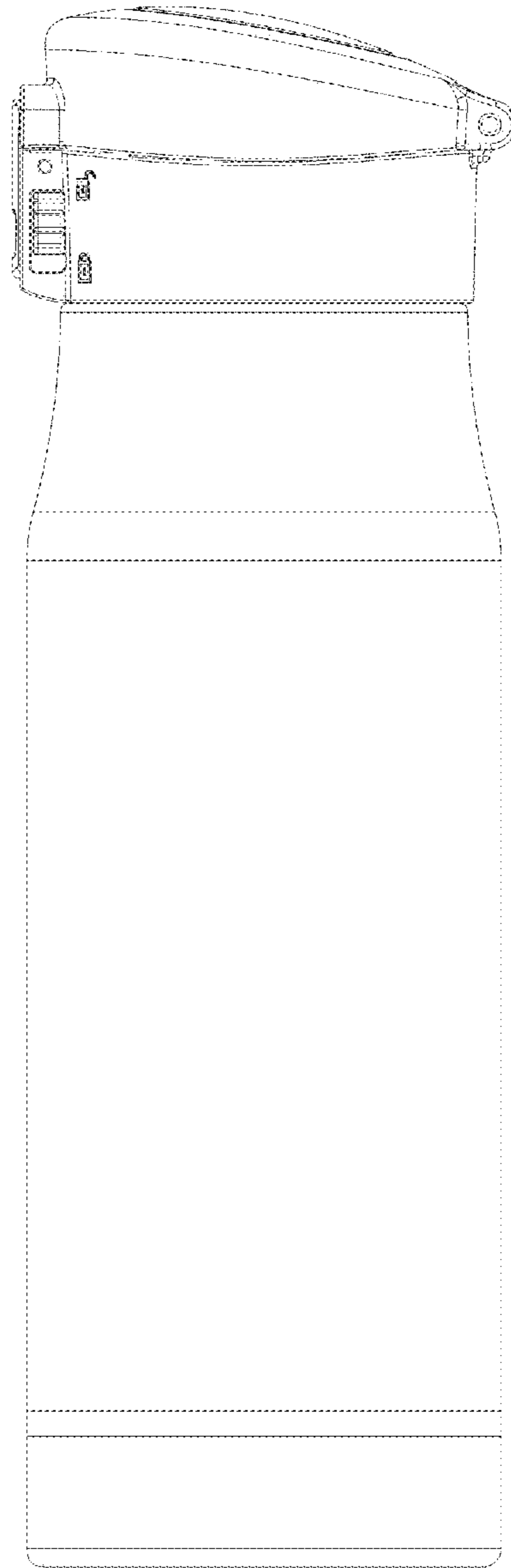


fig.4

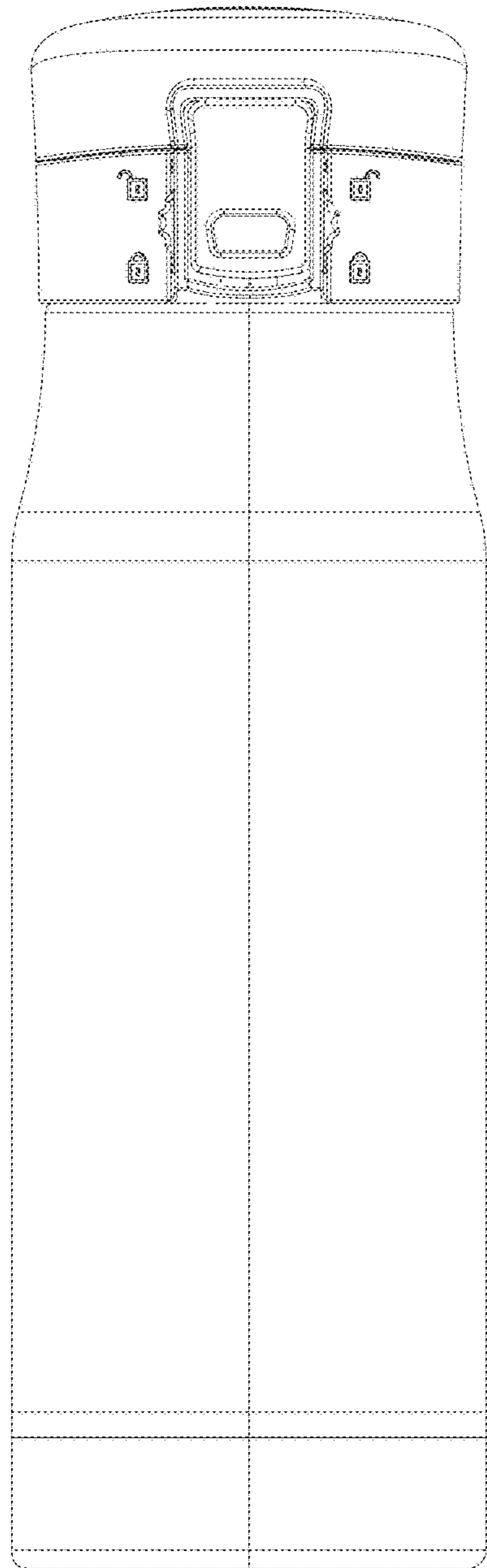


fig.5



fig.6

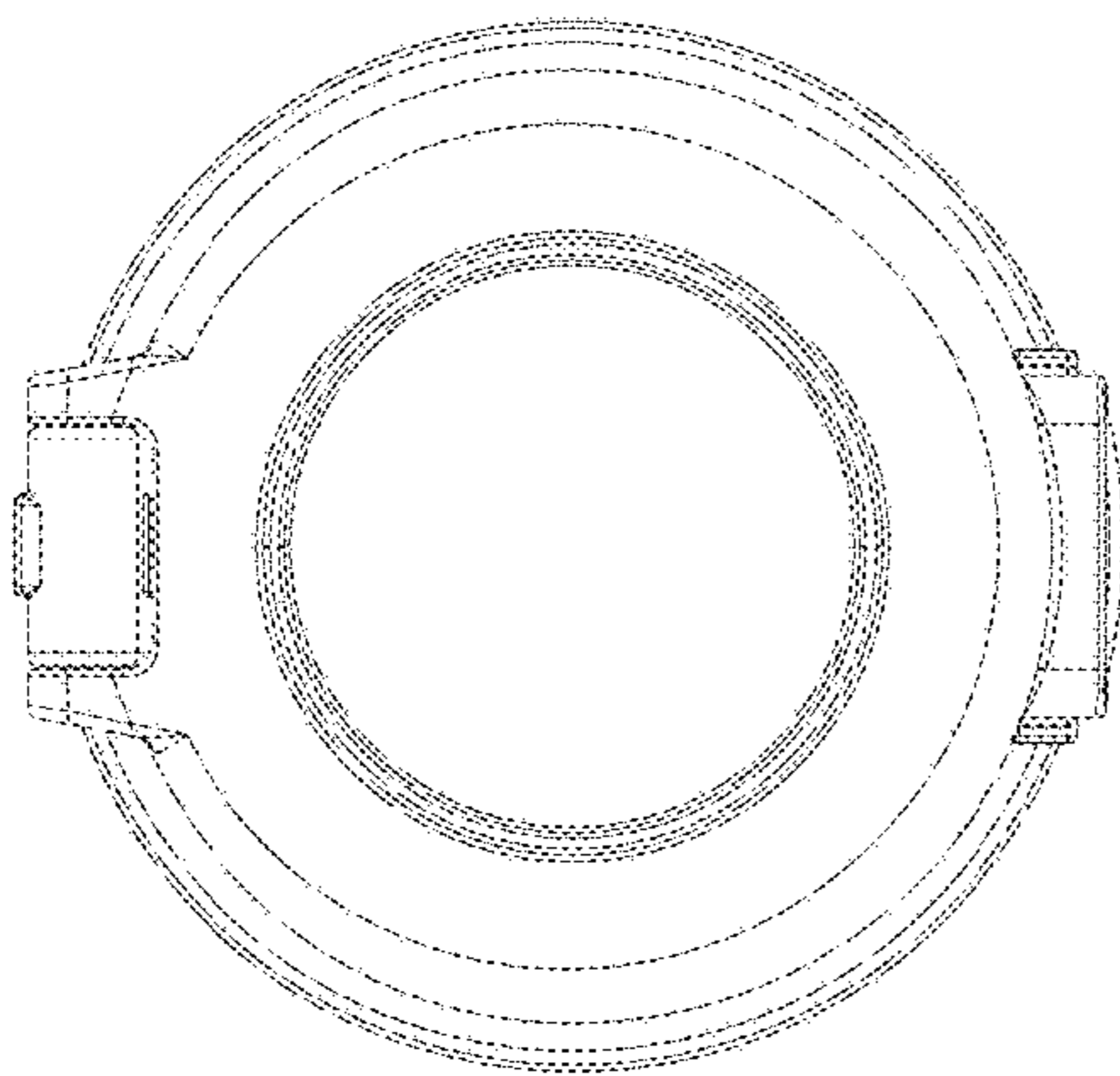


fig.7

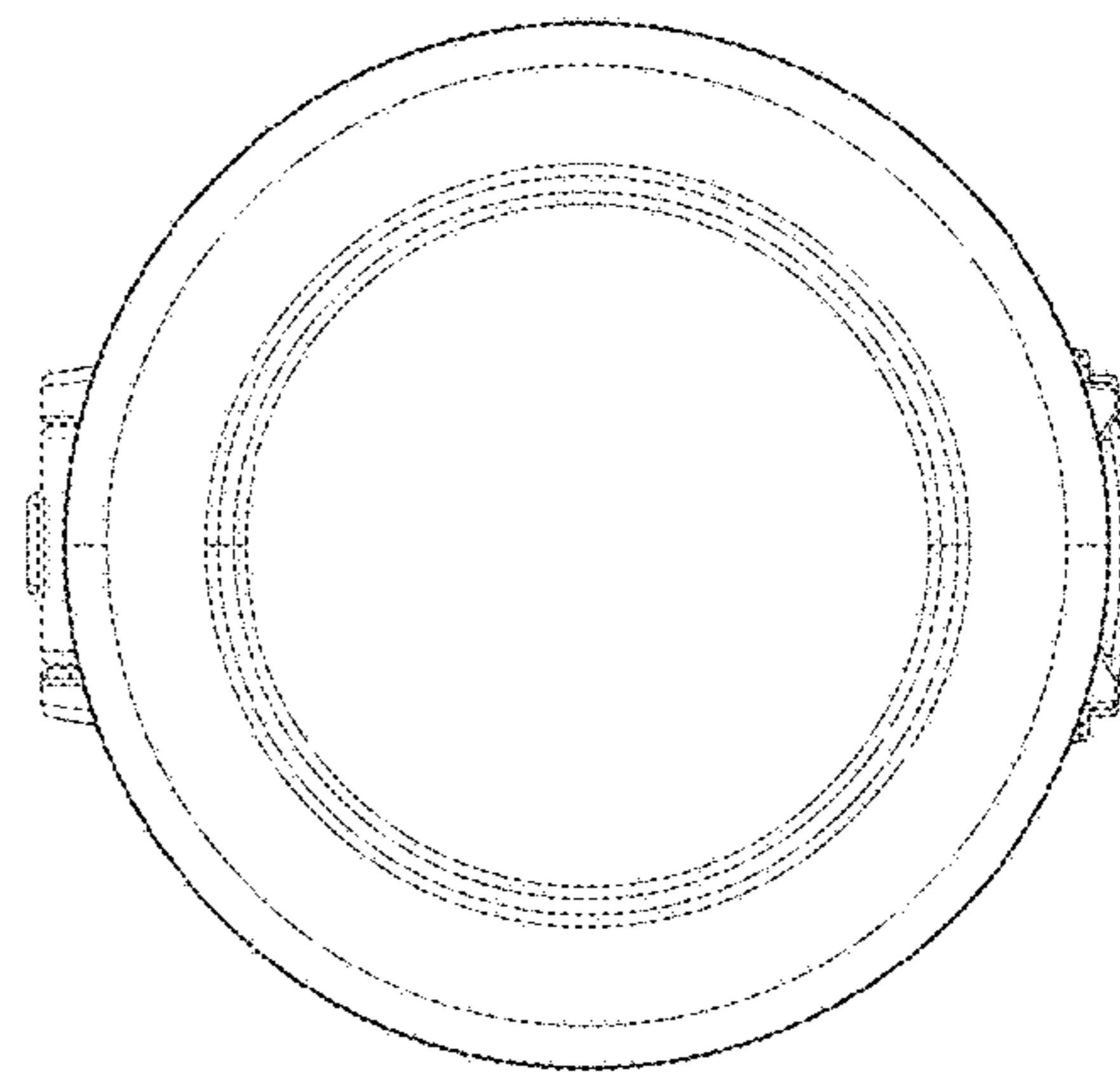


fig.8

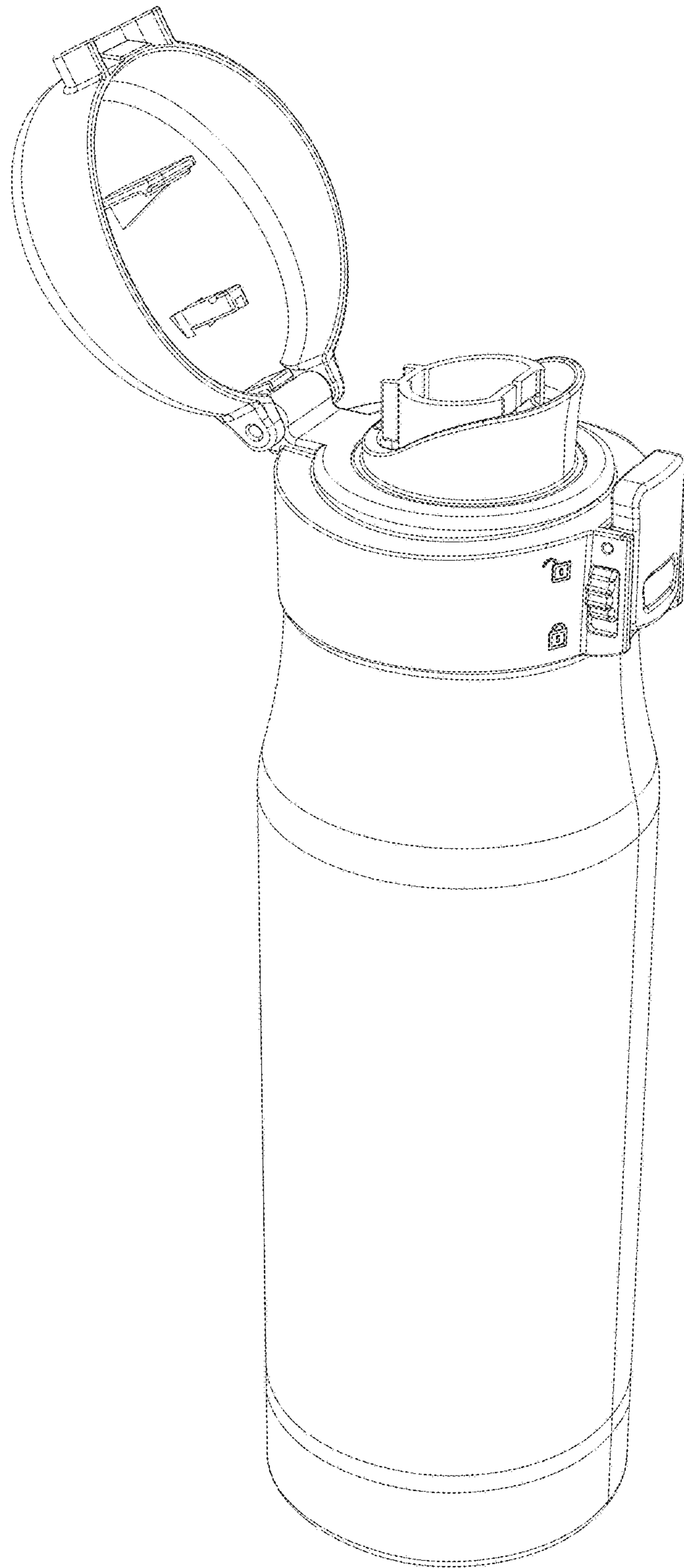


fig.9

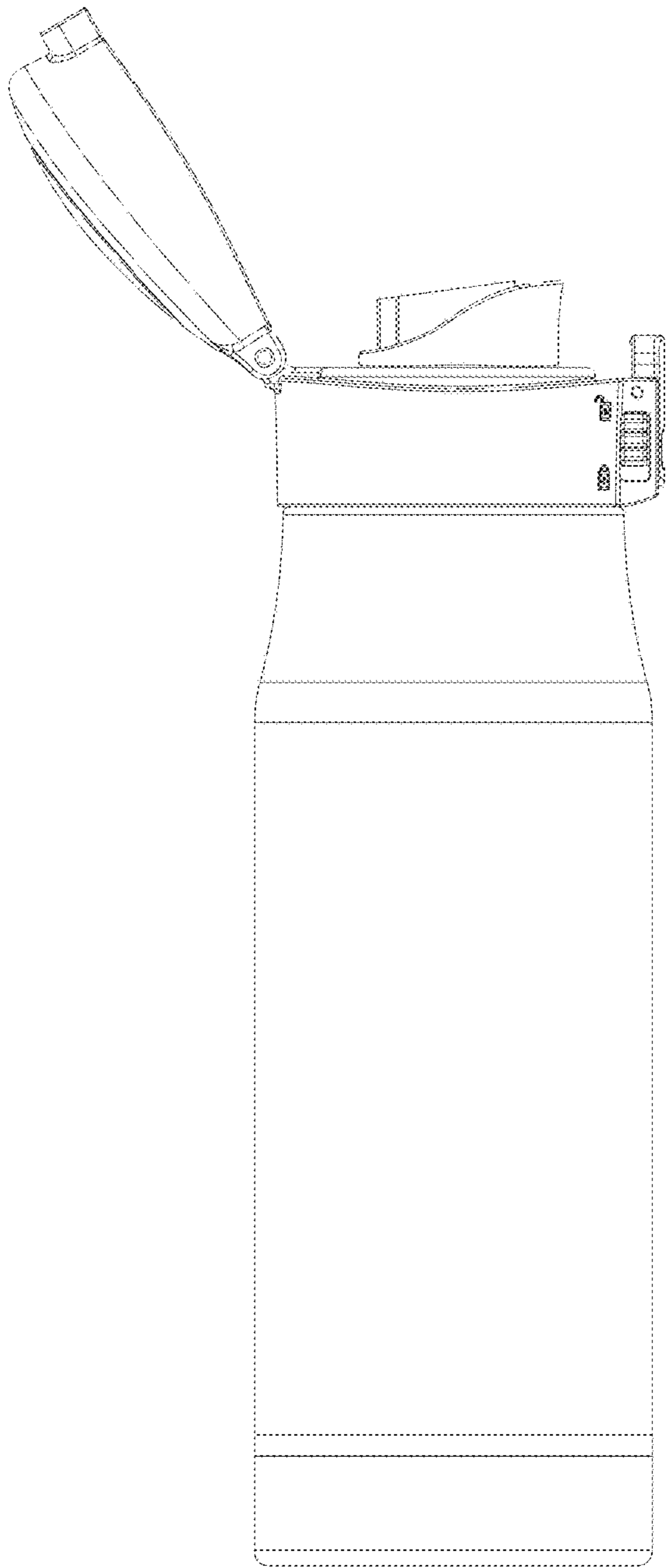


fig.10

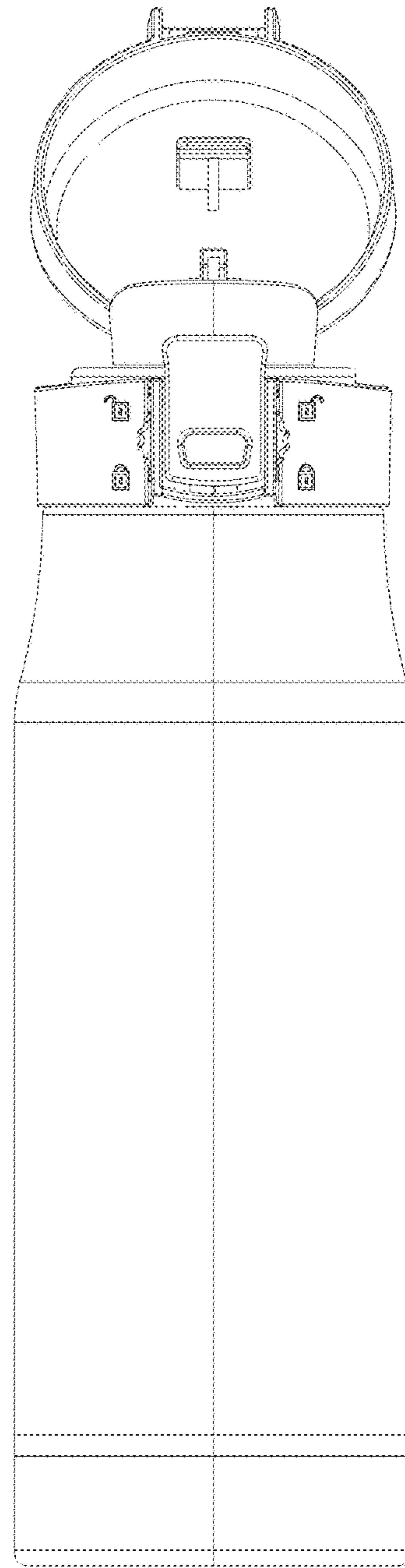


fig.11