



US00D795008S

(12) **United States Design Patent** (10) **Patent No.:** **US D795,008 S**
Eyal (45) **Date of Patent:** **** Aug. 22, 2017**

(54) **BEVERAGE CONTAINER LID**

(71) Applicant: **ETS EXPRESS, INC.**, Oxnard, CA (US)
(72) Inventor: **Sharon Eyal**, Oxnard, CA (US)
(73) Assignee: **ETS EXPRESS, INC.**, Oxnard, CA (US)

(**) Term: **15 Years**

(21) Appl. No.: **29/567,957**

(22) Filed: **Jun. 14, 2016**

(51) **LOC (10) Cl.** **07-01**

(52) **U.S. Cl.**
USPC **D7/392.1; D9/443**

(58) **Field of Classification Search**
USPC D7/391, 392, 392.1, 396.1, 396.2, 397, D7/509, 510, 543; D9/435, 443, 446, D9/447, 516
CPC B65D 47/122; B65D 41/04; B65D 2543/0092

See application file for complete search history.

(56) **References Cited**

U.S. PATENT DOCUMENTS

D479,800 S *	9/2003	McRae	D9/443
D548,075 S *	8/2007	Mavin	D9/435
D615,360 S *	5/2010	Joy	D7/510
D621,258 S *	8/2010	Gullickson	D9/443
D623,896 S *	9/2010	Wahl	D7/392.1
8,215,511 B1 *	7/2012	Lin	B65D 39/08 215/228
D755,561 S *	5/2016	Eyal	D7/392.1
D756,701 S *	5/2016	Mettler	D7/392.1
D764,916 S *	8/2016	Mount, III	D9/443
D779,323 S *	2/2017	Masrour	D9/443
D781,146 S *	3/2017	Seiders	D7/392.1
2008/0078787 A1 *	4/2008	Yelland	A45F 3/16 224/148.1
2014/0251938 A1 *	9/2014	Rose	B65D 51/28 215/6

OTHER PUBLICATIONS

“ETS Express: New Items in Stock”. Found online Jun. 12, 2017 at twitter.com. Page dated Jan. 21, 2015. Retrieved from https://twitter.com/etsexpress/status/557997114589196288.*
“Klean Kanteen Wide Mouth Water Bottle with Loop Cap”. Found online Oct. 12, 2016 at amazon.com. Page dated Dec. 5, 2009. Retrieved from https://www.amazon.com/Klean-Kanteen-Mouth-Water-Bottle/dp/B002VIZ6IU/ref=cm_cr_arp_d_product_top?ie=UTF8.*
“Easy Guide to Hydro Flask Lids”. Found online Jun. 9, 2017 at hydrationanywhere.com. Page dated Oct. 8, 2016. Retrieved from https://hydrationanywhere.com/easy-guide-to-hydro-flask-lids/.*
“Product Design Sketches”. Found online Jun. 21, 2017 at nastashaj450.blogspot.no. Page dated Dec. 4, 2010. Retrieved from http://nastashaj450.blogspot.no/2010/12/product-design-sketches.html.*

* cited by examiner

Primary Examiner — Robert M Spear
Assistant Examiner — Kendra L Hamilton
(74) *Attorney, Agent, or Firm* — Kleinberg & Lerner, LLP; Marvin H. Kleinberg; Marshall A. Lerner

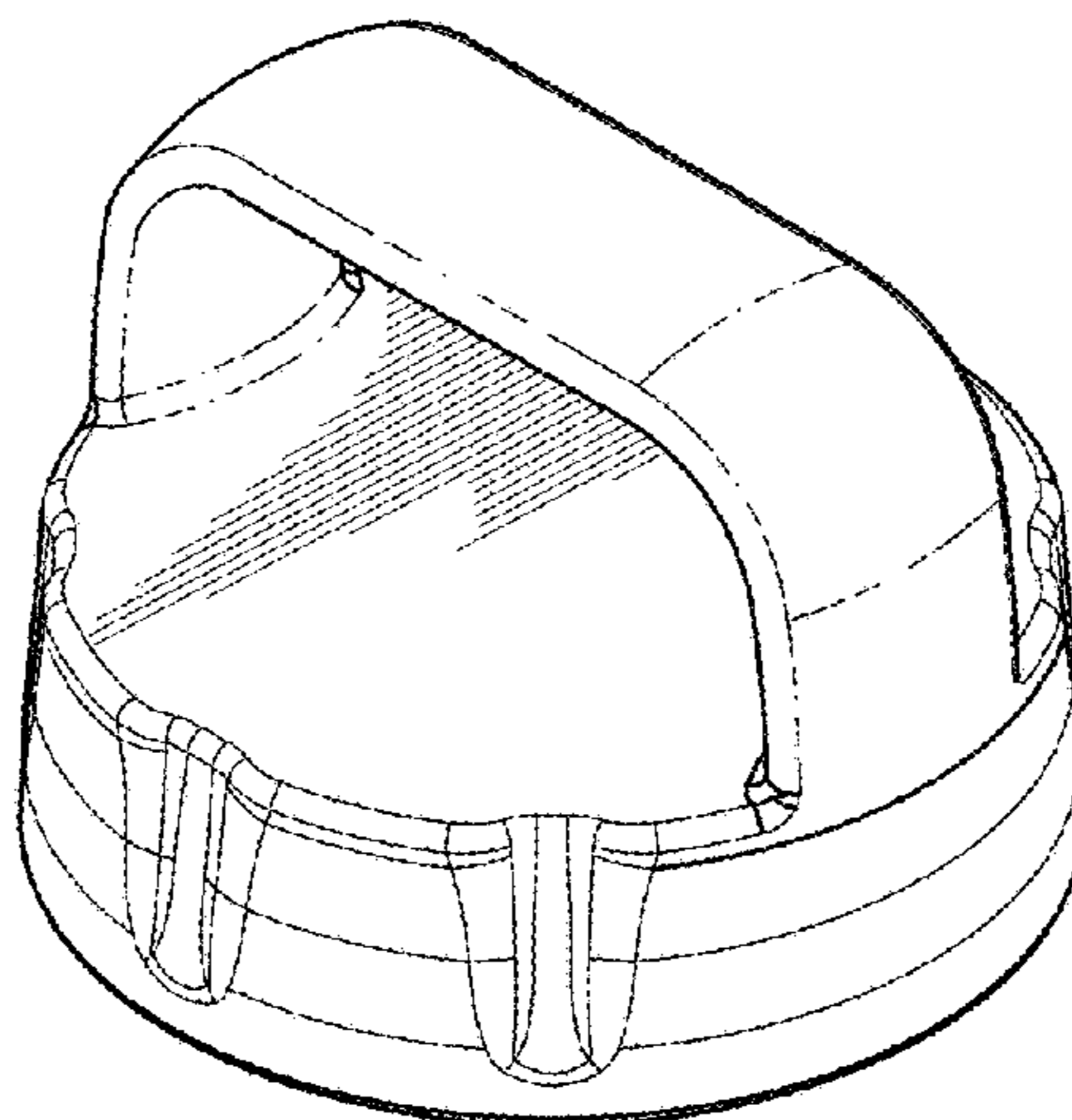
(57) **CLAIM**

The ornamental design for a beverage container lid, as shown and described.

DESCRIPTION

FIG. 1 is a top perspective view of a beverage container lid showing my new design;
FIG. 2 is a top plan view thereof;
FIG. 3 is a bottom plan view thereof;
FIG. 4 is a front elevational view thereof;
FIG. 5 is a rear elevational view thereof;
FIG. 6 is a left side elevational view thereof; and,
FIG. 7 is a right side elevational view thereof.
The broken lines in FIG. 3 represent the boundaries of the claimed design.

1 Claim, 2 Drawing Sheets



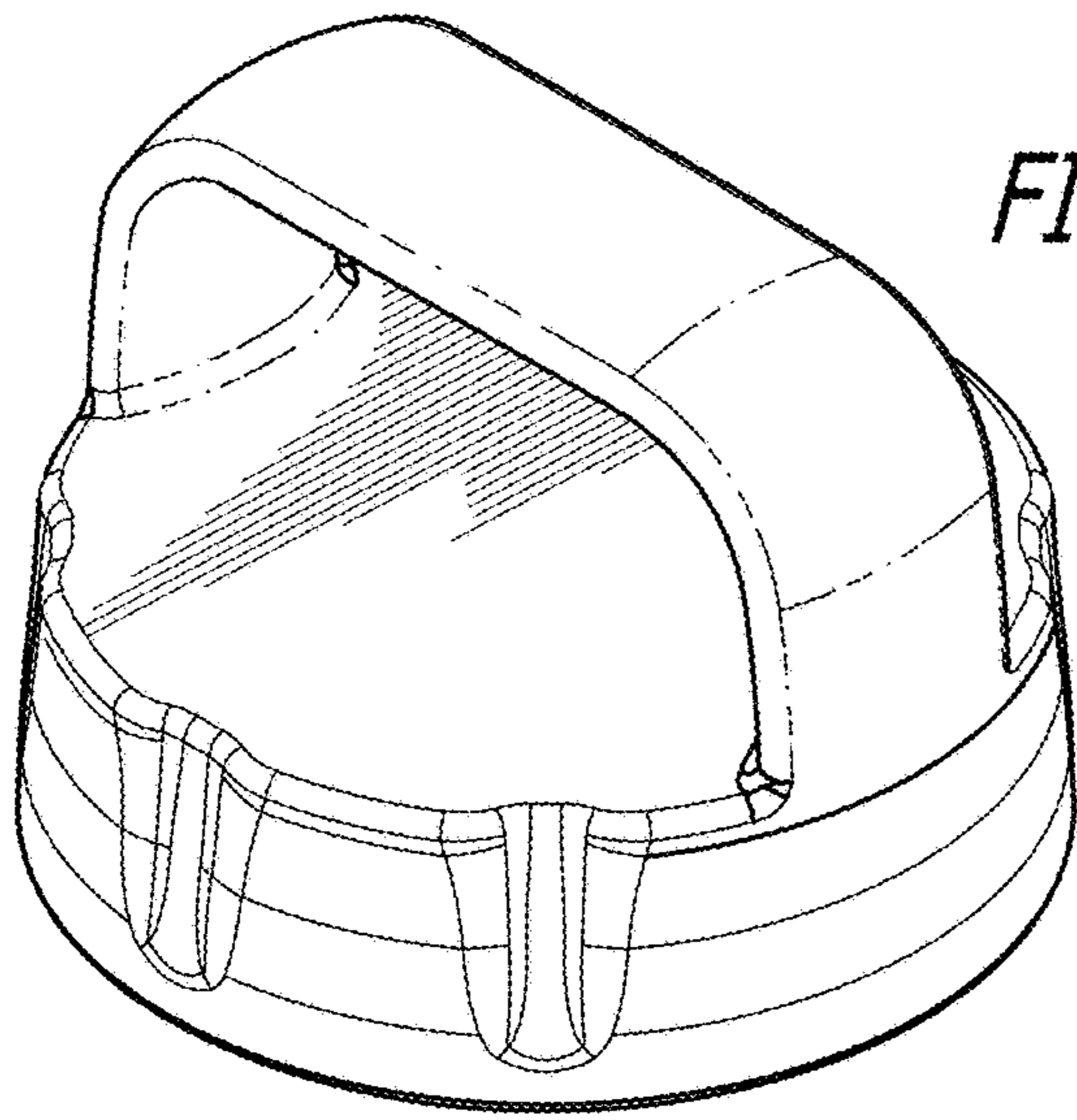


FIG. 1

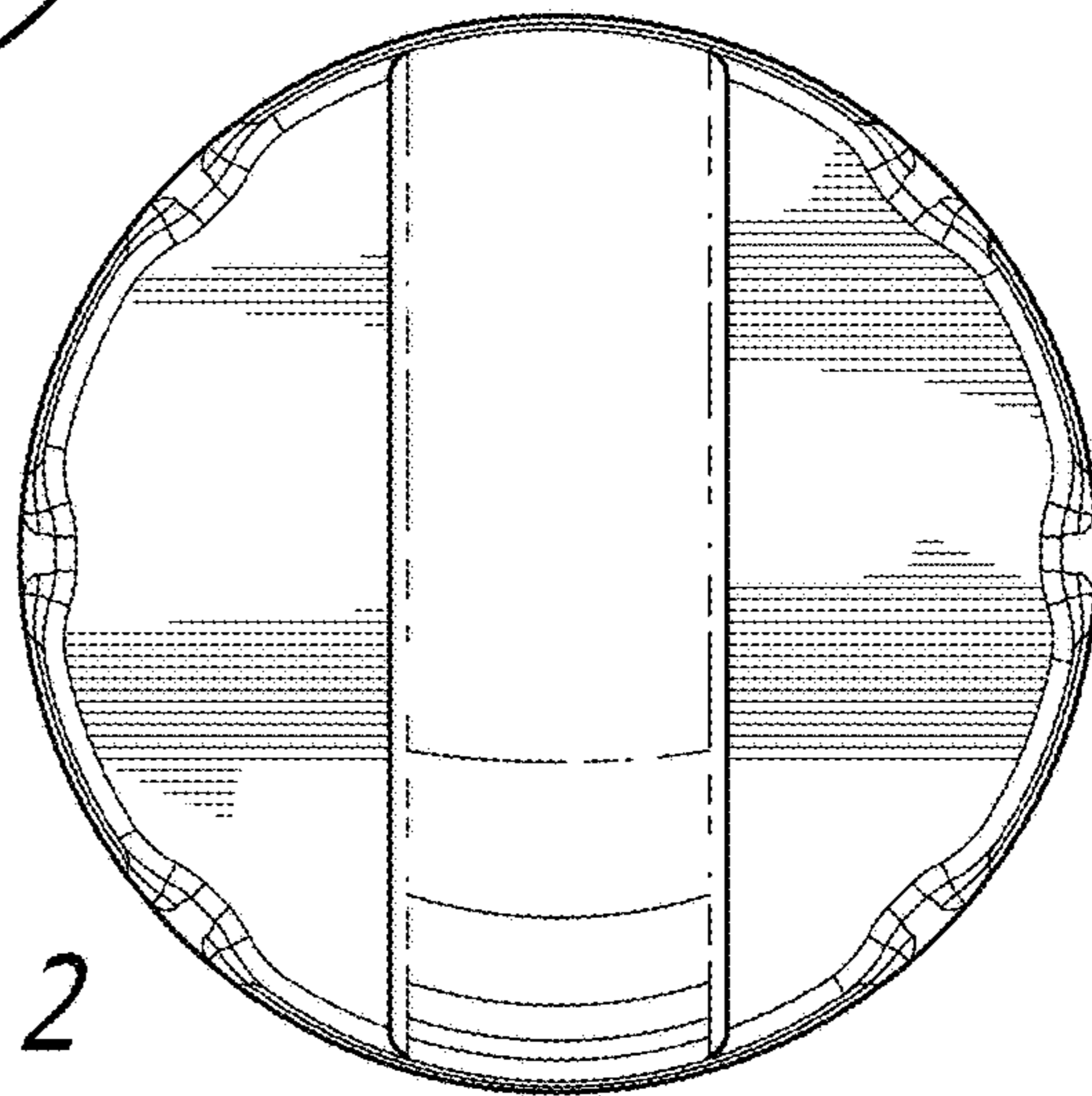


FIG. 2

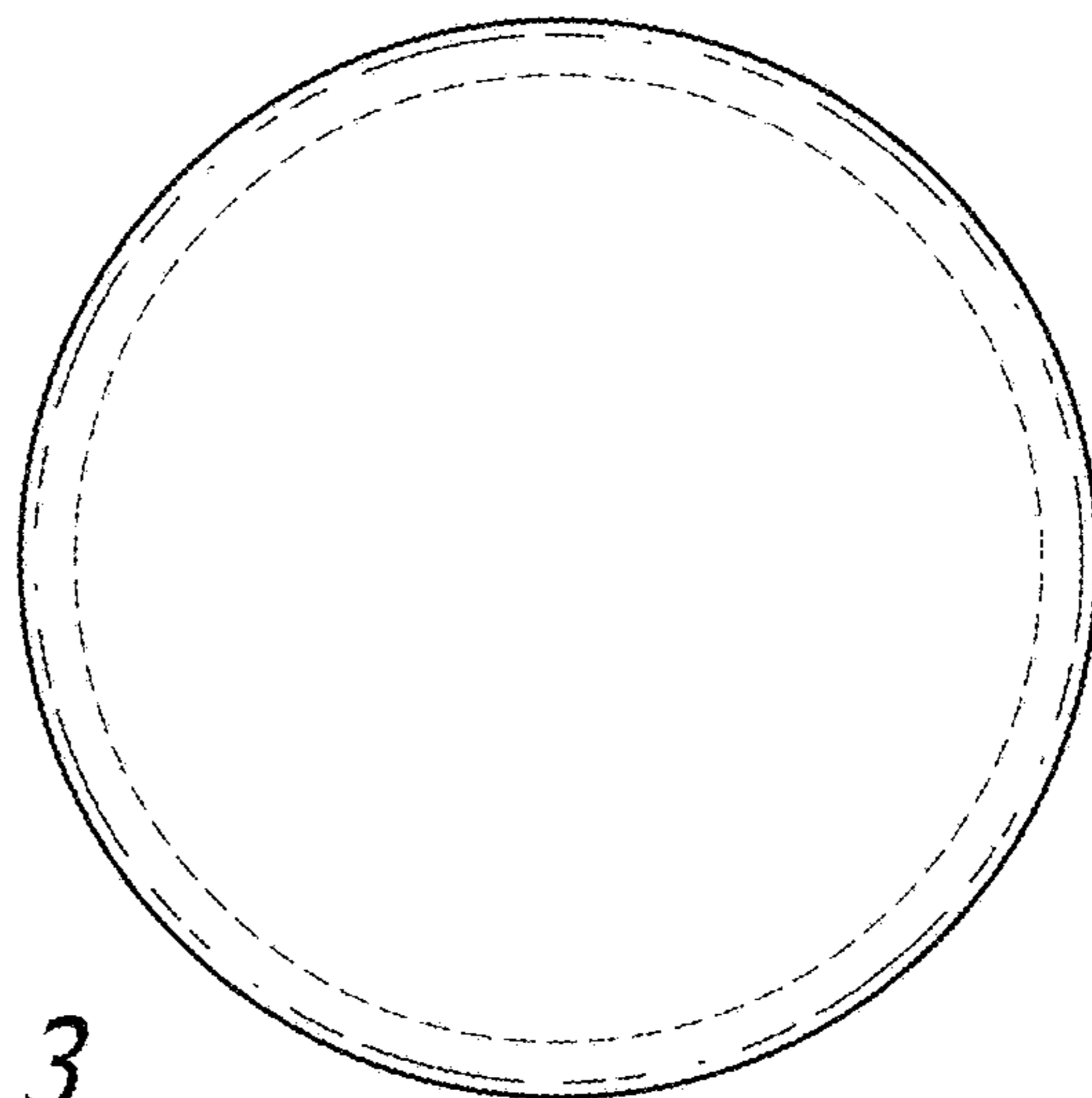


FIG. 3

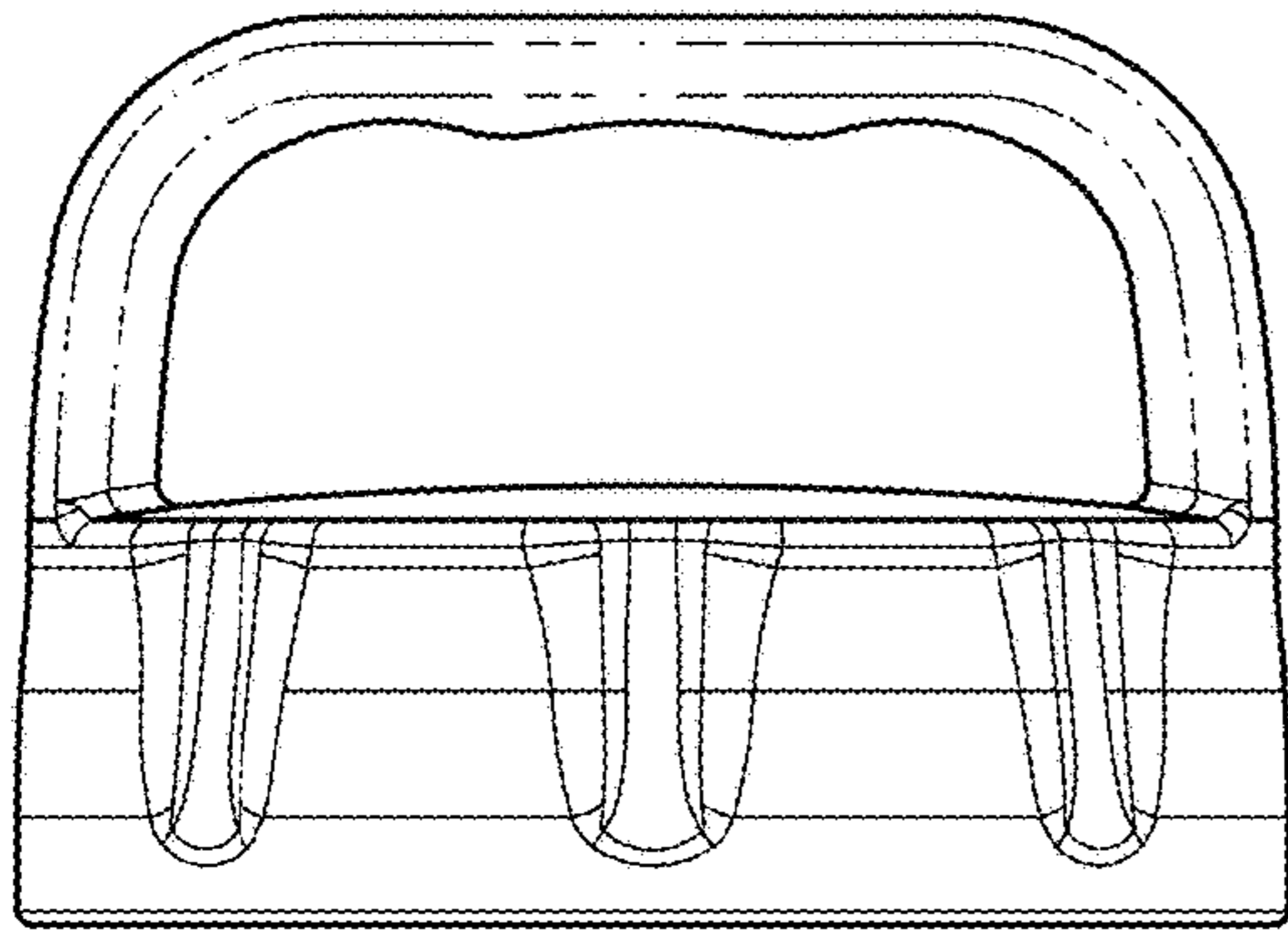


FIG. 4

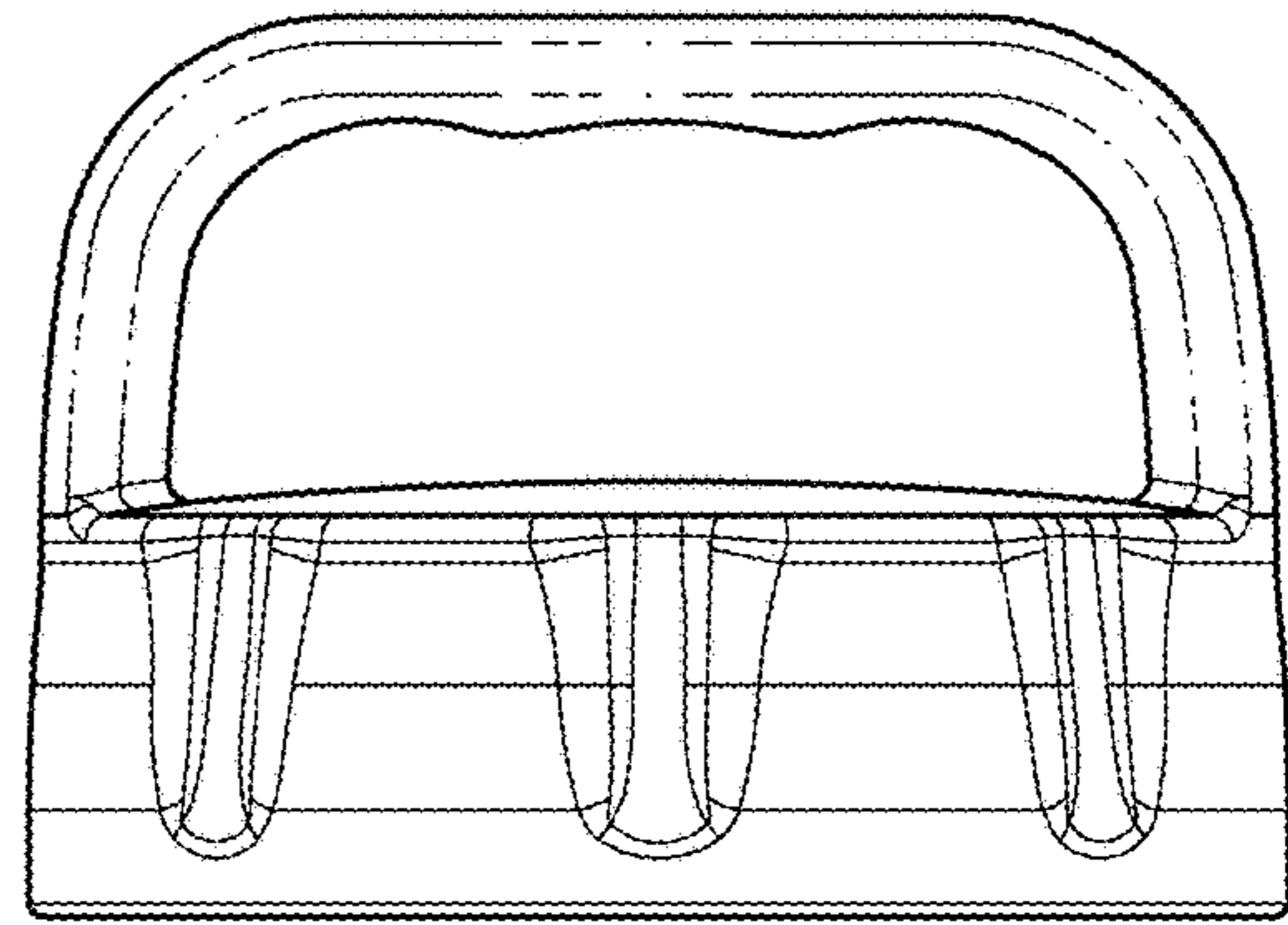


FIG. 5

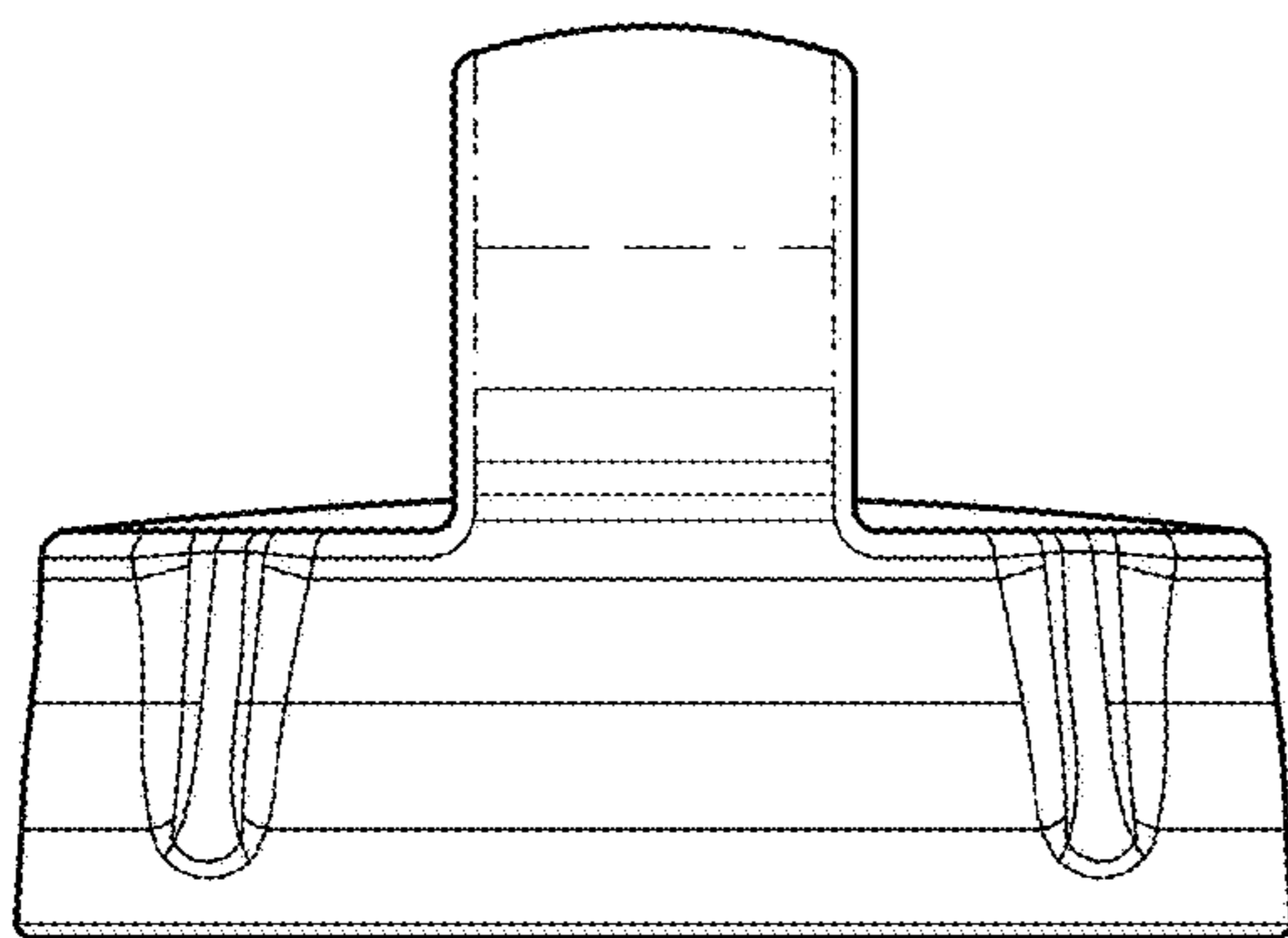


FIG. 6

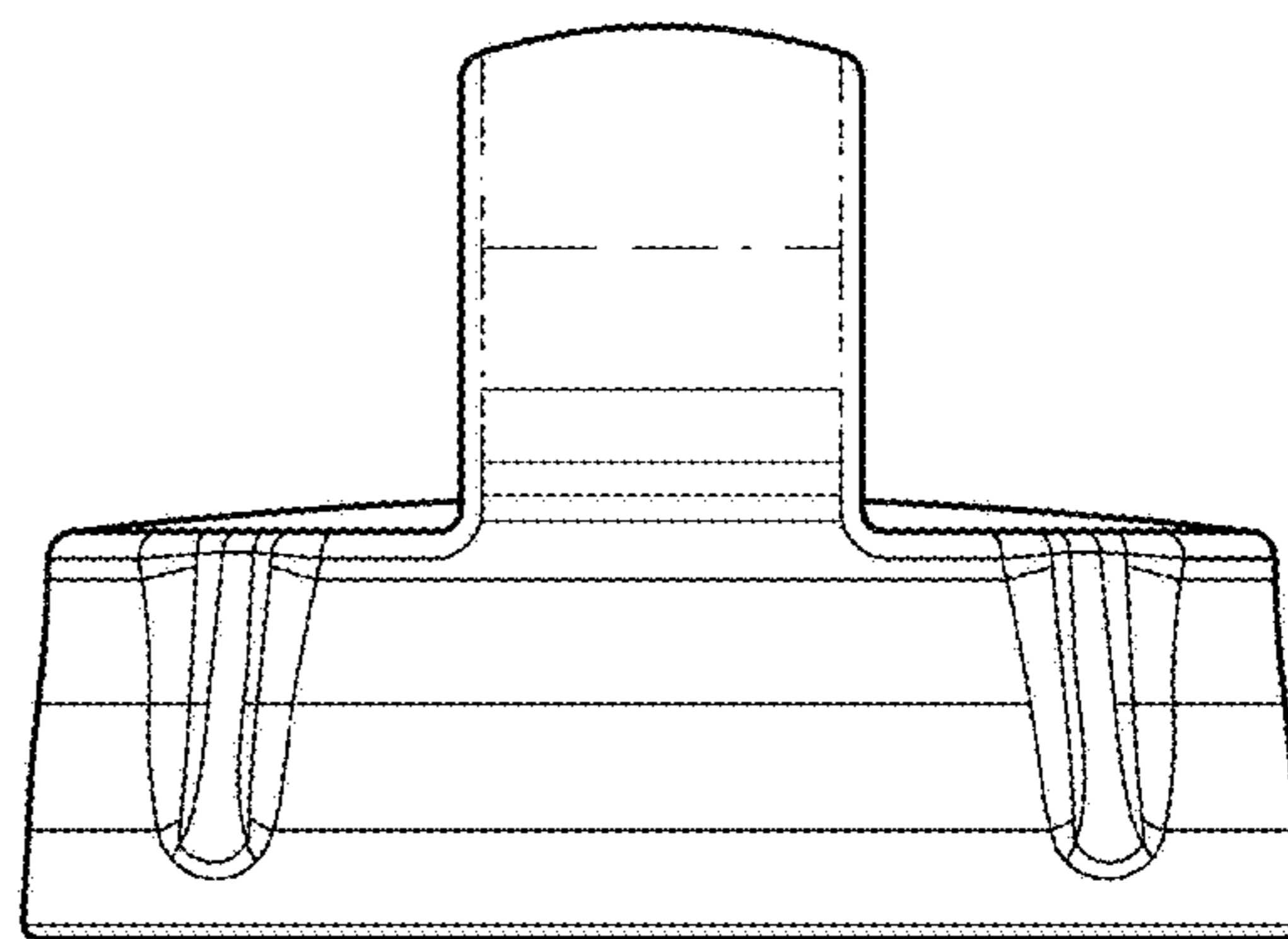


FIG. 7