

US00D795007S

(12) **United States Design Patent** (10) **Patent No.:** **US D795,007 S**  
**Plassmeyer** (45) **Date of Patent:** **\*\* Aug. 22, 2017**

(54) **WINE GLASS COVER**  
(71) Applicant: **Kristy Plassmeyer**, Franklin, WI (US)  
(72) Inventor: **Kristy Plassmeyer**, Franklin, WI (US)

(\*\*) Term: **15 Years**

(21) Appl. No.: **29/567,262**

(22) Filed: **Jun. 7, 2016**

(51) **LOC (10) Cl.** ..... **07-01**

(52) **U.S. Cl.**  
USPC ..... **D7/392.1**

(58) **Field of Classification Search**  
USPC ..... D7/391, 392, 392.1, 396.1, 396.2, 509,  
D7/510, 511, 514, 518; D9/435, 436,  
D9/440, 447, 451, 516, 530, 738  
CPC ..... B65D 47/127  
See application file for complete search history.

(56) **References Cited**

U.S. PATENT DOCUMENTS

1,243,033	A	10/1917	Beatty	
2,352,667	A *	7/1944	Tofanelli	B65D 43/022 220/380
3,862,614	A	1/1975	Kovac	
4,895,270	A	1/1990	Main et al.	
5,102,002	A *	4/1992	Whitley	A47G 19/2205 220/287
D327,808	S *	7/1992	Kline	D7/392.1
D339,027	S *	9/1993	Mack	D7/392.1
D366,186	S *	1/1996	Kato	D7/511
5,692,616	A	12/1997	Baker	
6,276,551	B1	8/2001	Miller, II	
D519,783	S	5/2006	Lambert et al.	
7,051,895	B2	5/2006	Toussant et al.	
D609,972	S	2/2010	Reeser et al.	
D642,425	S *	8/2011	Hale	D7/392.1
D657,670	S *	4/2012	Folos	D9/447
D663,574	S	7/2012	Shenkal	
D689,735	S *	9/2013	Redfern	D7/392.1
D690,988	S *	10/2013	Audette	D7/392.1
D731,239	S *	6/2015	Rothfield	D7/392.1
D767,329	S *	9/2016	Mock	D7/392.1

2002/0175093 A1\* 11/2002 Gordon ..... B65D 25/08  
206/232  
2007/0178284 A1 8/2007 Barry  
2010/0243722 A1\* 9/2010 Hyder ..... B65D 77/2016  
229/125.02

OTHER PUBLICATIONS

“Ninja Blender Single Serve Cup Set”. Found online Mar. 9, 2017 at amazon.com. Page dated Jul. 13, 2013. Retrieved from https://www.amazon.com/. ..UTF8&pd\_rd\_i=B011IW4XD8&pd\_rd\_r=4CQK27ABX6AHV038GMGF&pd\_rd\_w=jABEu&pd\_rd\_wg=zg0K2&psc=1&refRID=4CQK27ABX6AHV038GMGF.\*  
“RTIC Coolers Replacement Lid”. Found online Mar. 9, 2017 at amazon.com. Page dated Oct. 15, 2016. Retrieved from https://www.amazon.com/RTIC-Coolers-oz-Replacement-Lid/dp/B01KBQ6IIK/ref=cm\_cr\_ar\_p\_d\_product\_top?ie=UTF8.\*  
“Tervis Travel Lid”. Found online Mar. 9, 2017 at amazon.com. Page dated May 1, 2007. Retrieved from https://www.amazon.com/...TF8&pd\_rd\_i=B001GA5CHY&pd\_rd\_r=R7WYKXRM81PYFM88FDKM&pd\_rd\_w=c9i35&pd\_rd\_wg=PuwEb&refRID=R7WYKXRM81PYFM88FDKM&th=1.\*  
“Contigo Autoseal Transit Travel Mug”. Found online Mar. 9, 2017 at amazon.com. Page dated Sep. 28, 2015. Retrieved from https://www.amazon.com/Contigo-AUTOSEAL-Transit-Stainless-Travel/dp/B0160988SU/ref=sr\_1\_6?ie=UTF8&qid=1488839640&sr=8-6&keywords=travel+mug.\*

\* cited by examiner

*Primary Examiner* — Robert M Spear  
*Assistant Examiner* — Kendra L Hamilton

(57) **CLAIM**

The ornamental design for a wine glass cover, as shown and described.

**DESCRIPTION**

FIG. 1 is a front view of a wine glass cover showing my new design;  
FIG. 2 is a rear view of the wine glass cover;  
FIG. 3 is a left side view of the wine glass cover, right side, top, and bottom views being identical; and,

(Continued)

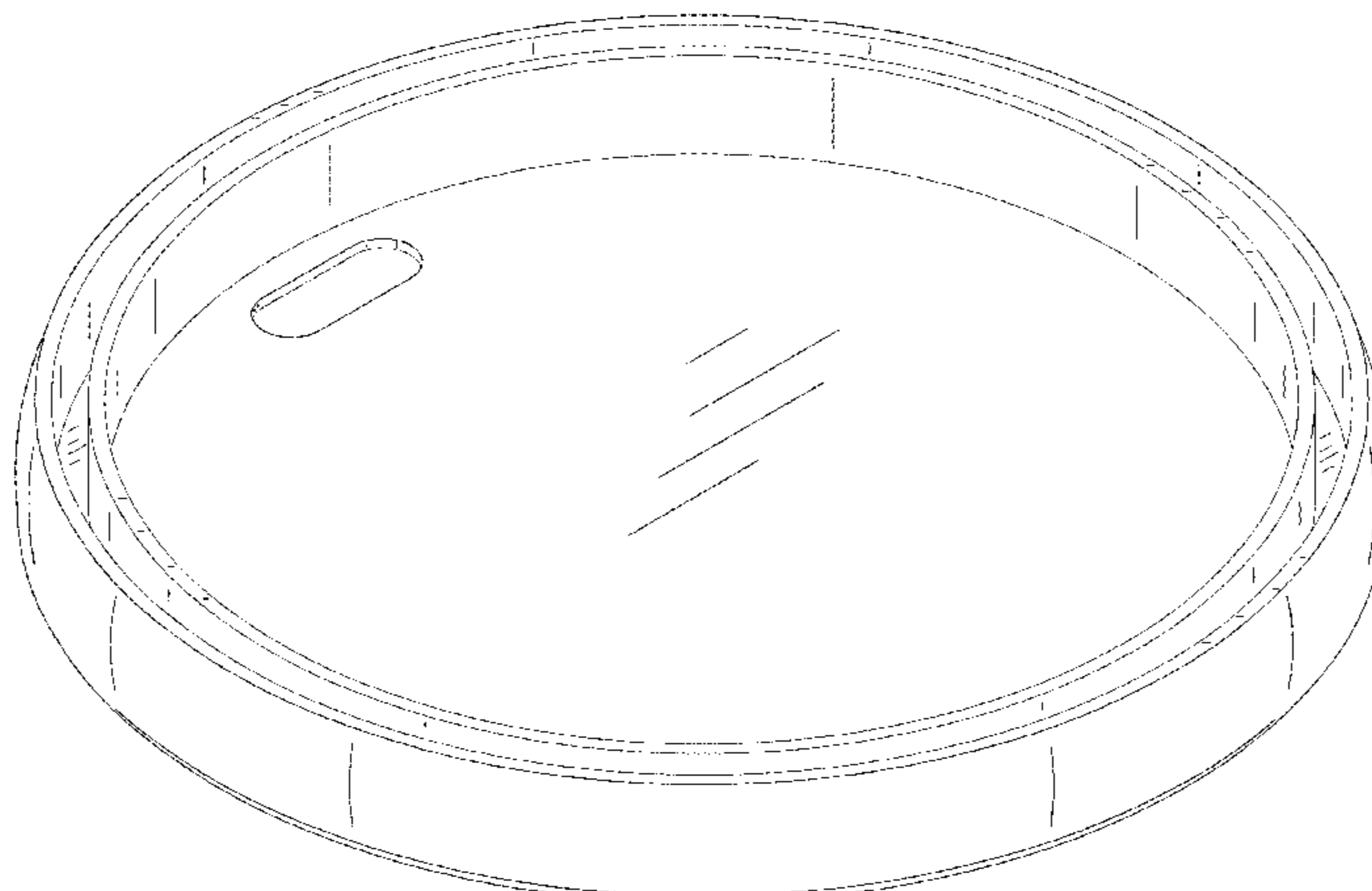


FIG. 4 is an enlarged top rear-side perspective view of the wine glass cover.

**1 Claim, 4 Drawing Sheets**

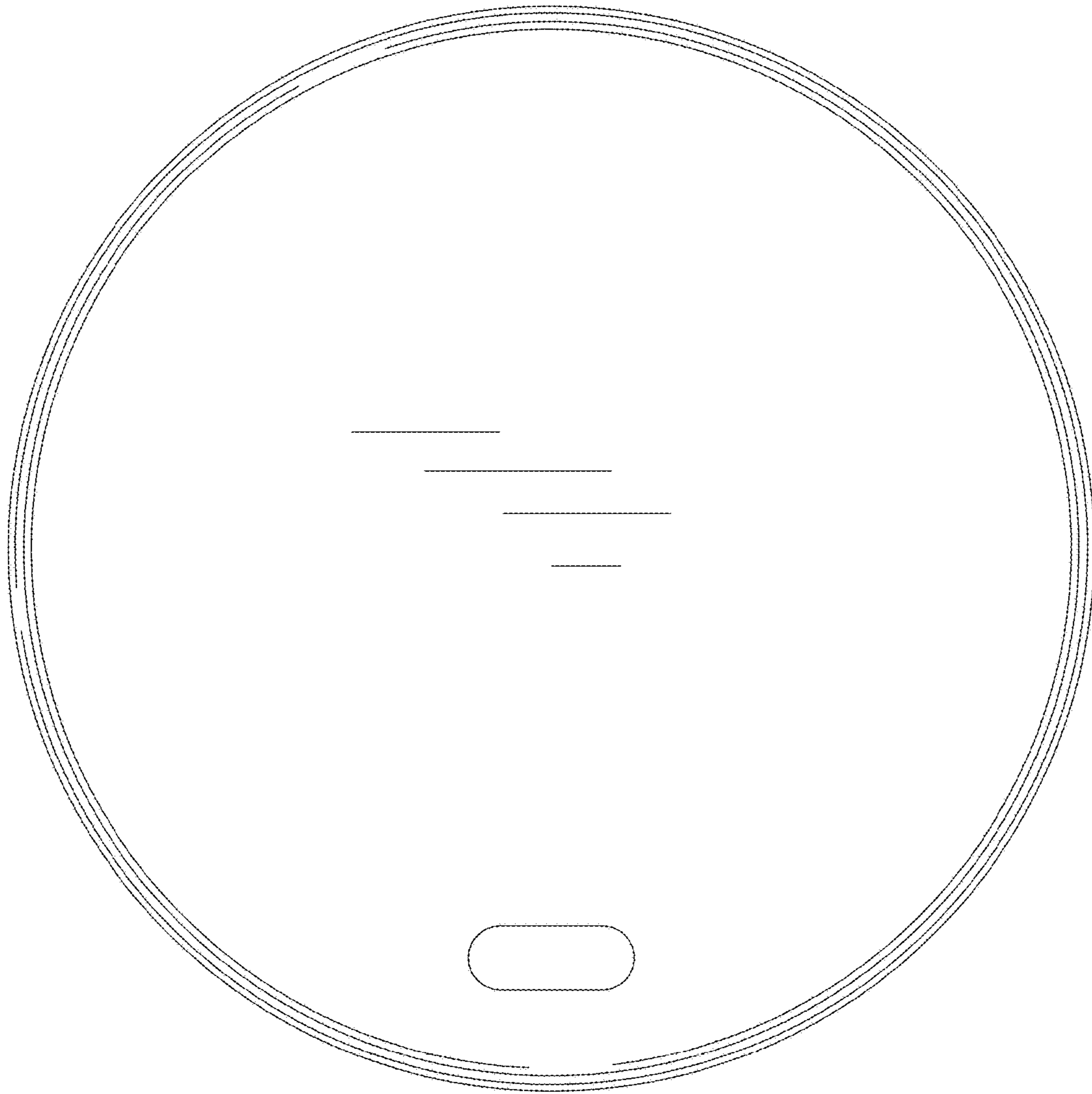


FIG. 1

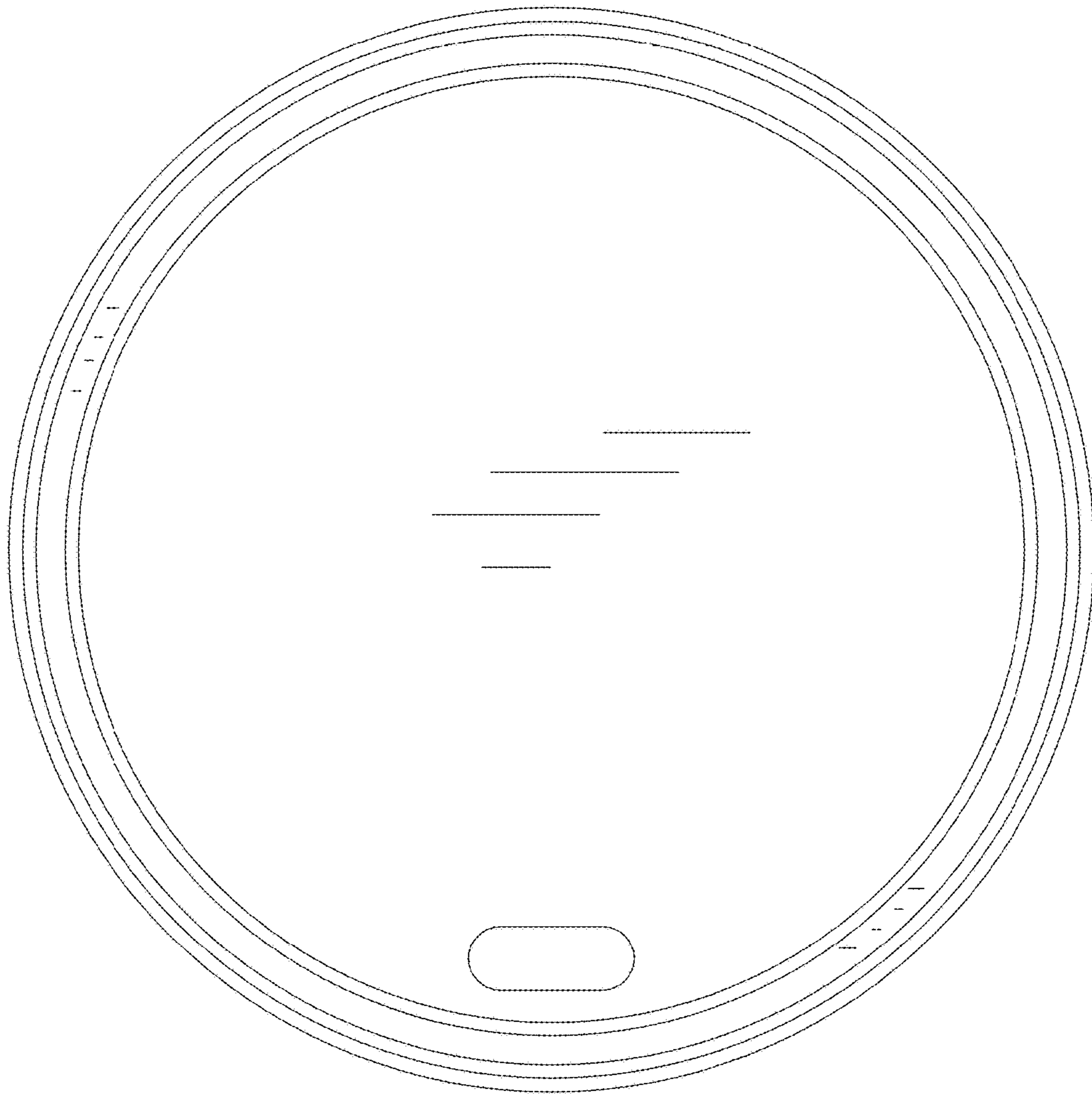


FIG. 2

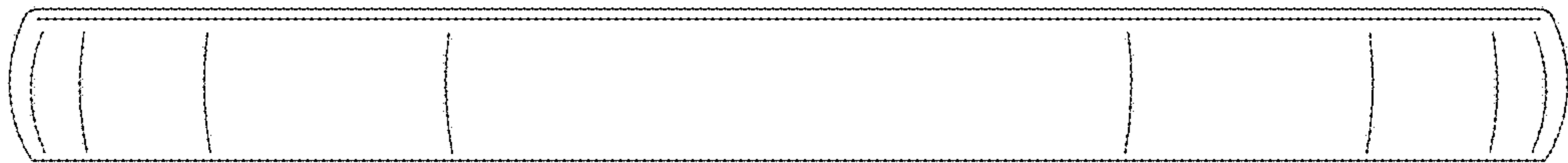


FIG. 3

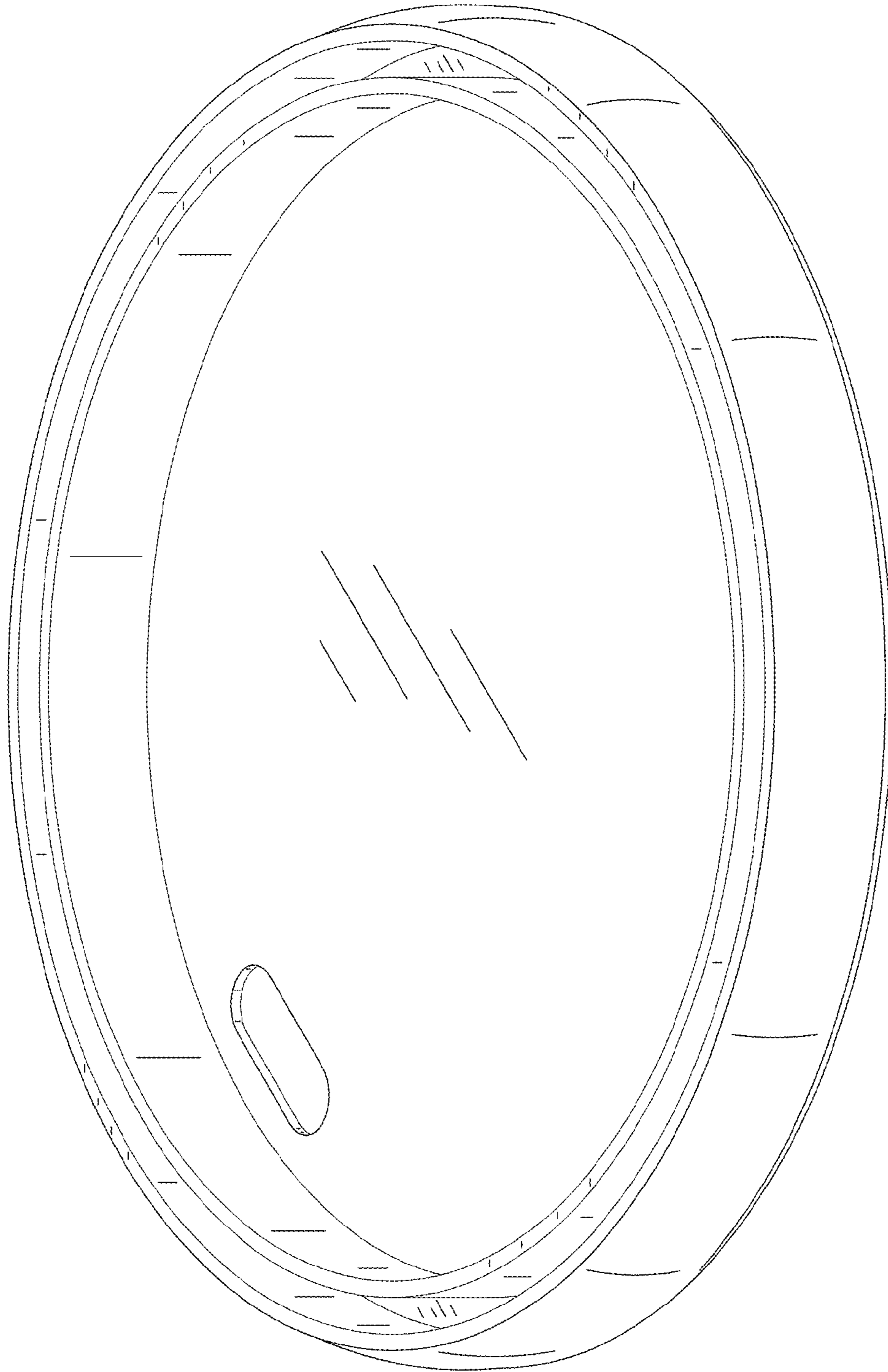


FIG. 4