



US00D795006S

(12) **United States Design Patent**
Heiberger

(10) **Patent No.:** **US D795,006 S**

(45) **Date of Patent:** **** Aug. 22, 2017**

(54) **SPORTS BOTTLE CAP**

(71) Applicant: **Product Architects, Inc.**, Boulder, CO (US)

(72) Inventor: **Robert Heiberger**, Boulder, CO (US)

(73) Assignee: **Product Architects, Inc.**, Boulder, CO (US)

(**) Term: **15 Years**

(21) Appl. No.: **29/558,330**

(22) Filed: **Mar. 16, 2016**

(51) **LOC (10) Cl.** **07-01**

(52) **U.S. Cl.**
USPC **D7/392.1**

(58) **Field of Classification Search**
USPC D7/391, 392, 392.1, 396.1, 396.2, 509,
D7/510, 511, 514, 518; D9/435, 436,
D9/440, 447, 451, 516, 530, 738
CPC B65D 47/2037
See application file for complete search history.

(56) **References Cited**

U.S. PATENT DOCUMENTS

3,045,871	A *	7/1962	Henrickson	B65D 21/022 220/604
5,820,016	A *	10/1998	Stropkay	B65D 1/265 206/459.5
D415,651	S *	10/1999	Trombly	D7/392.1
D474,068	S *	5/2003	Fujii	D7/392.1
6,578,726	B1 *	6/2003	Schaefer	B65D 47/265 215/387
D534,762	S *	1/2007	Gluck	D7/392.1
D537,675	S *	3/2007	Khalifa	D7/392.1
D696,942	S *	1/2014	Kim	D9/447
D753,999	S *	4/2016	Crosby	D9/447
D775,492	S *	1/2017	Elias	D7/392.1
2008/0061069	A1 *	3/2008	Edelstein	B65D 43/0212 220/713
2009/0250469	A1 *	10/2009	Heiberger	B65D 47/242 220/378

(Continued)

OTHER PUBLICATIONS

“Review: New Ergo Half Twist Polar Bottle Wins”. Found online Mar. 13, 2017 at beerasana.wordpress.com. Page dated Nov. 27, 2012. Retrieved from <https://beerasana.wordpress.com/2012/11/27/review-new-ergo-half-twist-polar-bottle-wins-best-cold-drinking-in-hot-class/>.*

(Continued)

Primary Examiner — Robert M Spear

Assistant Examiner — Kendra L Hamilton

(74) *Attorney, Agent, or Firm* — Holland & Hart LLP

(57) **CLAIM**

The ornamental design for a sports bottle cap, as shown and described.

DESCRIPTION

FIG. 1 is a top perspective view of a sports bottle cap, showing my new design;

FIG. 2 is a front elevation view of the design illustrated in FIG. 1;

FIG. 3 is a rear elevation view of the design illustrated in FIG. 1;

FIG. 4 is a right side elevation view of the design illustrated in FIG. 1;

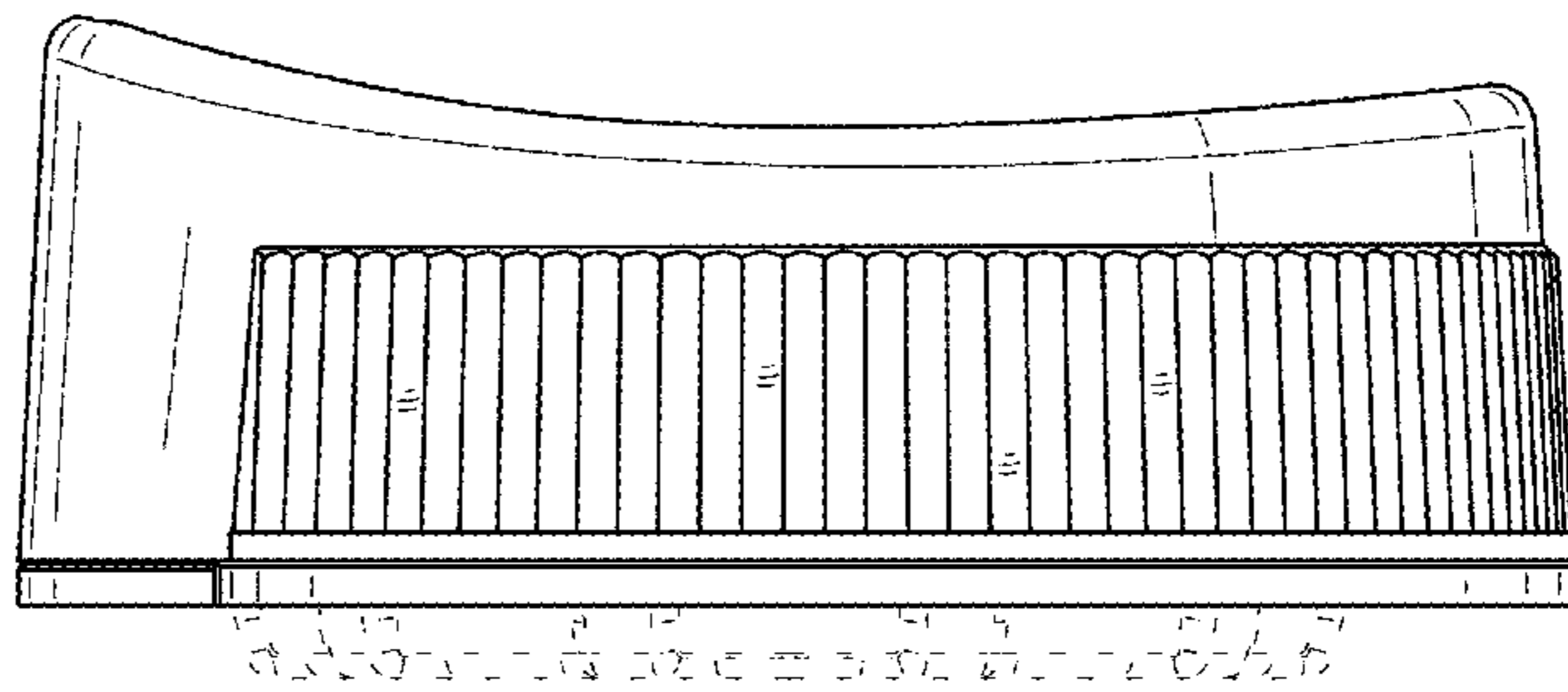
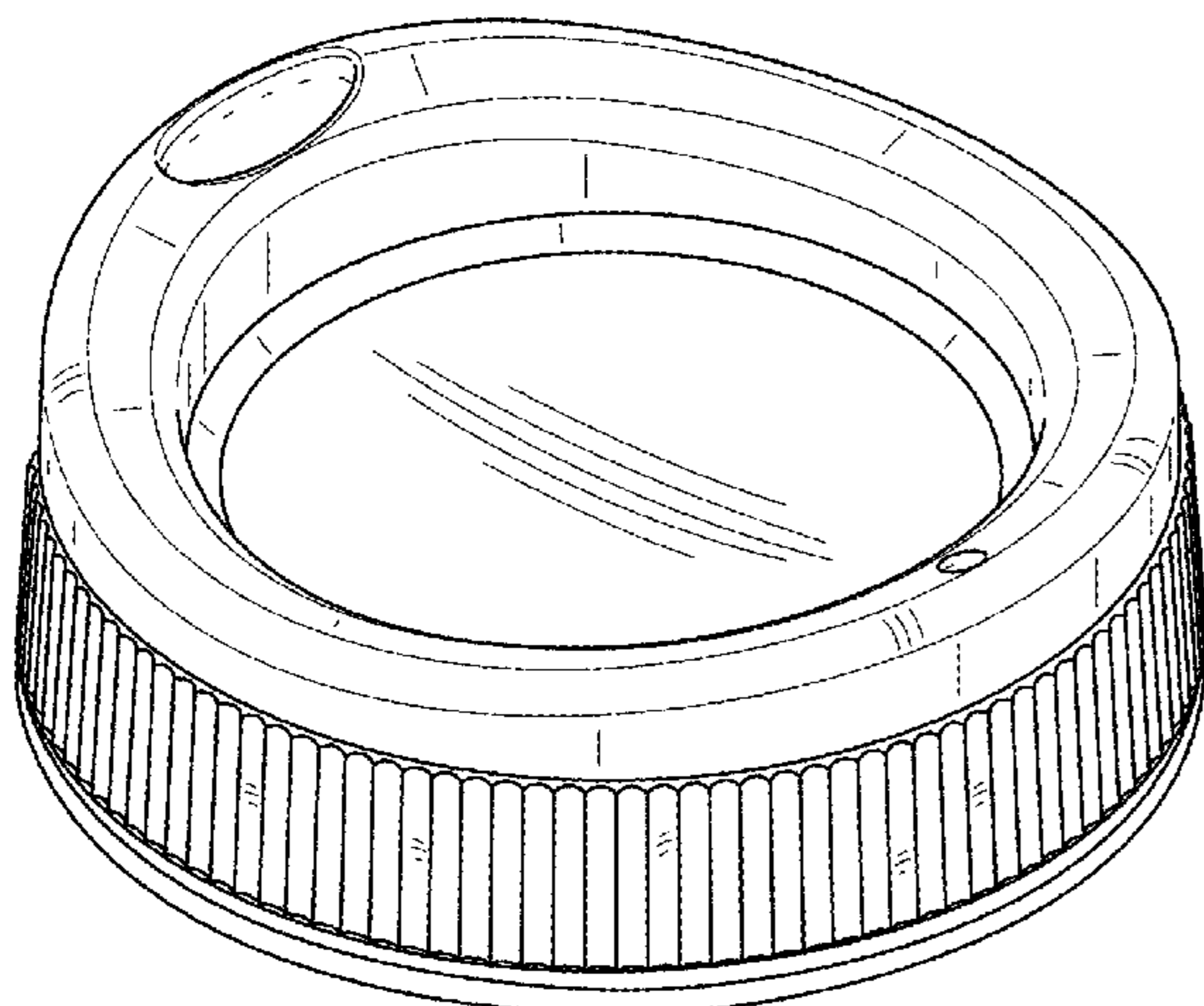
FIG. 5 is a left side elevation view of the design illustrated in FIG. 1;

FIG. 6 is a top plan view of the design illustrated in FIG. 1; and,

FIG. 7 is a bottom plan view of the design illustrated in FIG. 1.

The broken lines in the drawings illustrate environmental elements and form no part of the claimed design. No surfaces shown in FIG. 7 form any part of the claimed design.

1 Claim, 5 Drawing Sheets



(56)

References Cited

U.S. PATENT DOCUMENTS

2016/0058223 A1* 3/2016 Savenok B65D 43/0212
220/713

OTHER PUBLICATIONS

“OXO LiquiSeal Travel Mug”. Found online Mar. 9, 2017 at amazon.com. Page dated Oct. 2, 2001. Retrieved from https://www.amazon.com/...iSeal-Travel-Mug-Silver-OXO/dp/B000QJE43E/ref=sr_1_30?ie=UTF8&qid=1489079705&sr=8-30

&keywords=travel+mug&refinements=p_72%3A2661621011.*

“Contigo Autoseal Transit Stainless Steel Travel Mug”. Found online Mar. 9, 2017 at amazon.com. Page dated Sep. 28, 2015. Retrieved from https://www.amazon.com/Contigo-AUTOSEAL-Transit-Stainless-Travel/dp/B0160988SU/ref=sr_1_6?ie=UTF8&qid=1488839640&sr=8-6&keywords=travel+mug.*

“Thermos Sipp 16oz Vacuum Insulated Travel Mug”. Found online Mar. 13, 2017 at amazon.com. Page dated Feb. 24, 2010. Retrieved from https://www.amazon.com/Thermos-Vacuum-Insulated-Travel-Stainless/dp/B0039SLSU6/ref=sr_1_1?ie=UTF8&qid=1489457798&sr=8-1&keywords=thermos+sipp.*

* cited by examiner

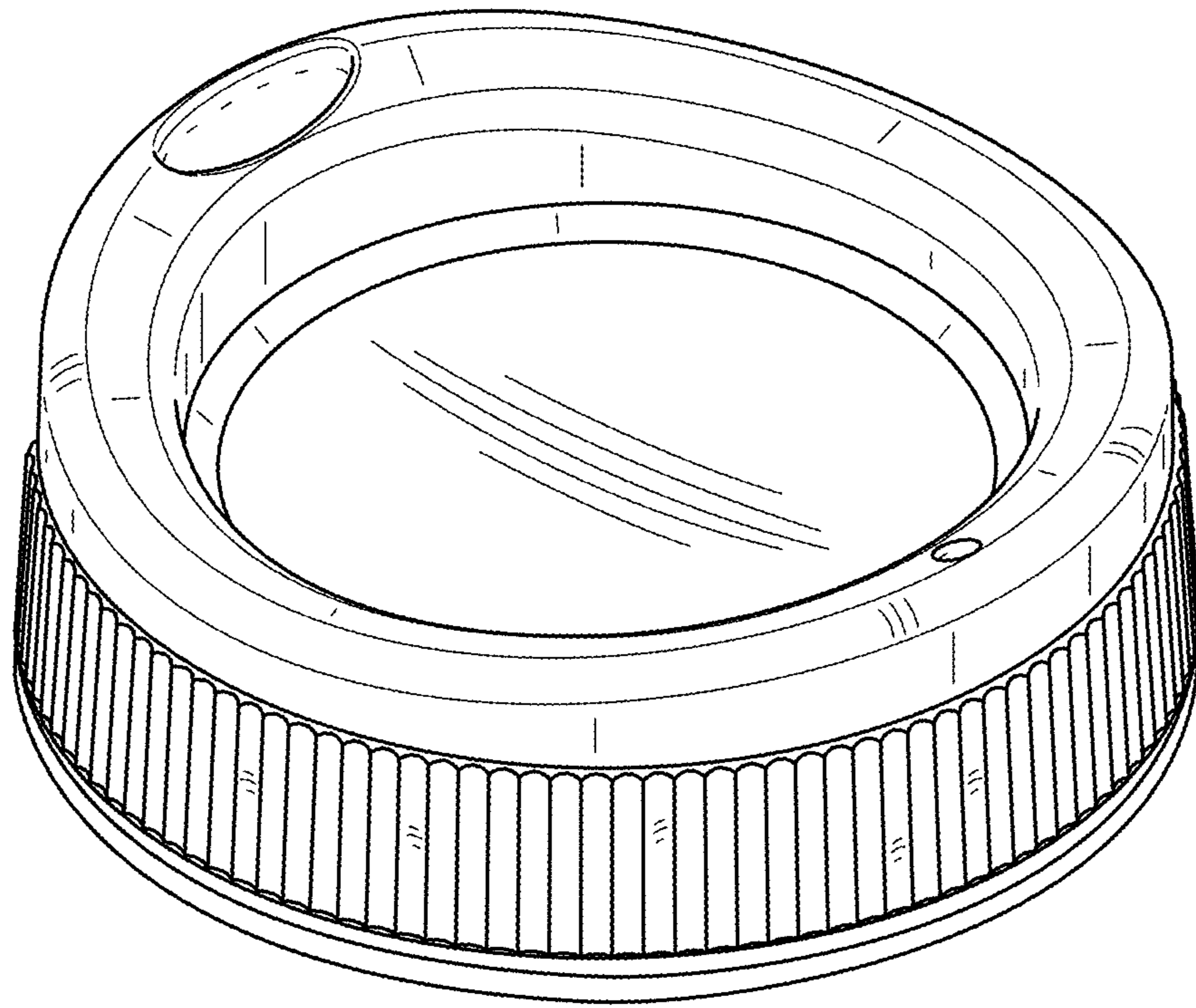


FIG.1

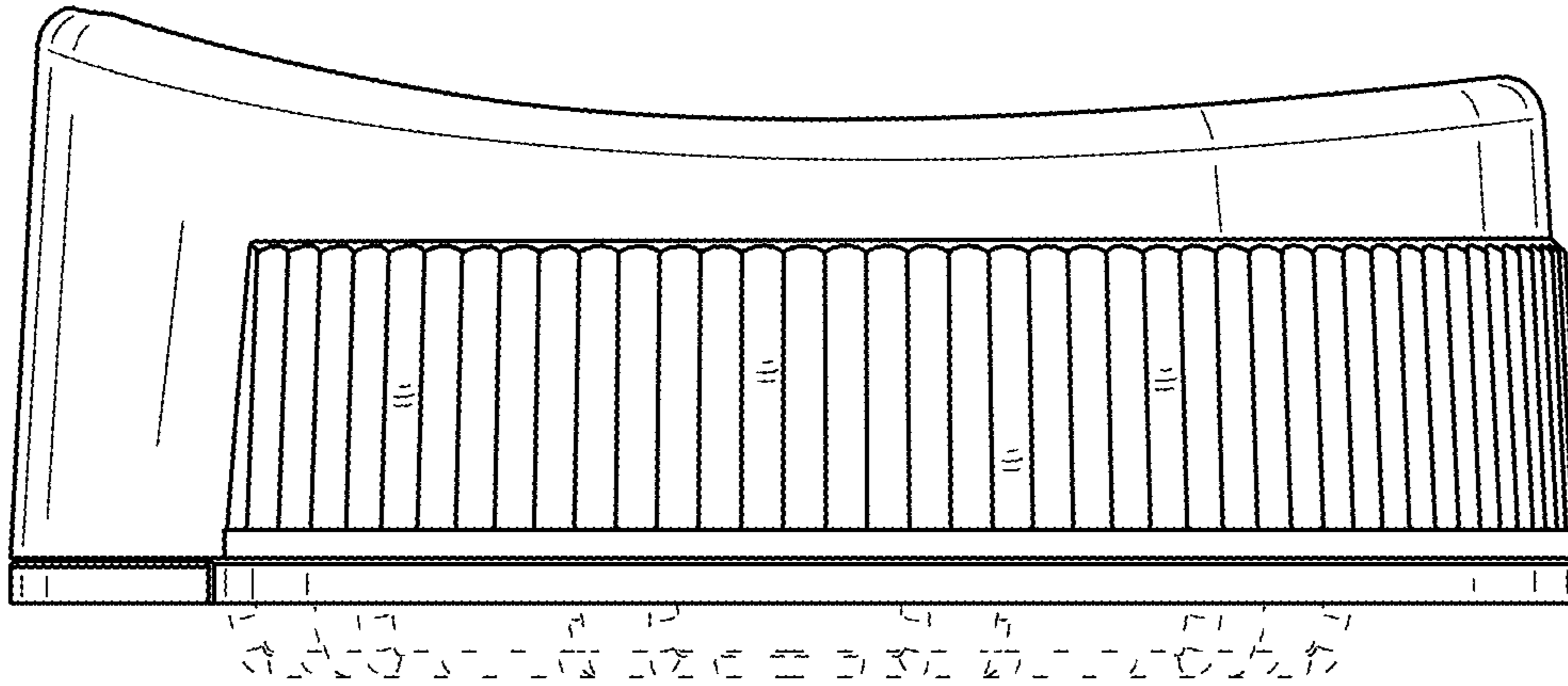


FIG. 2

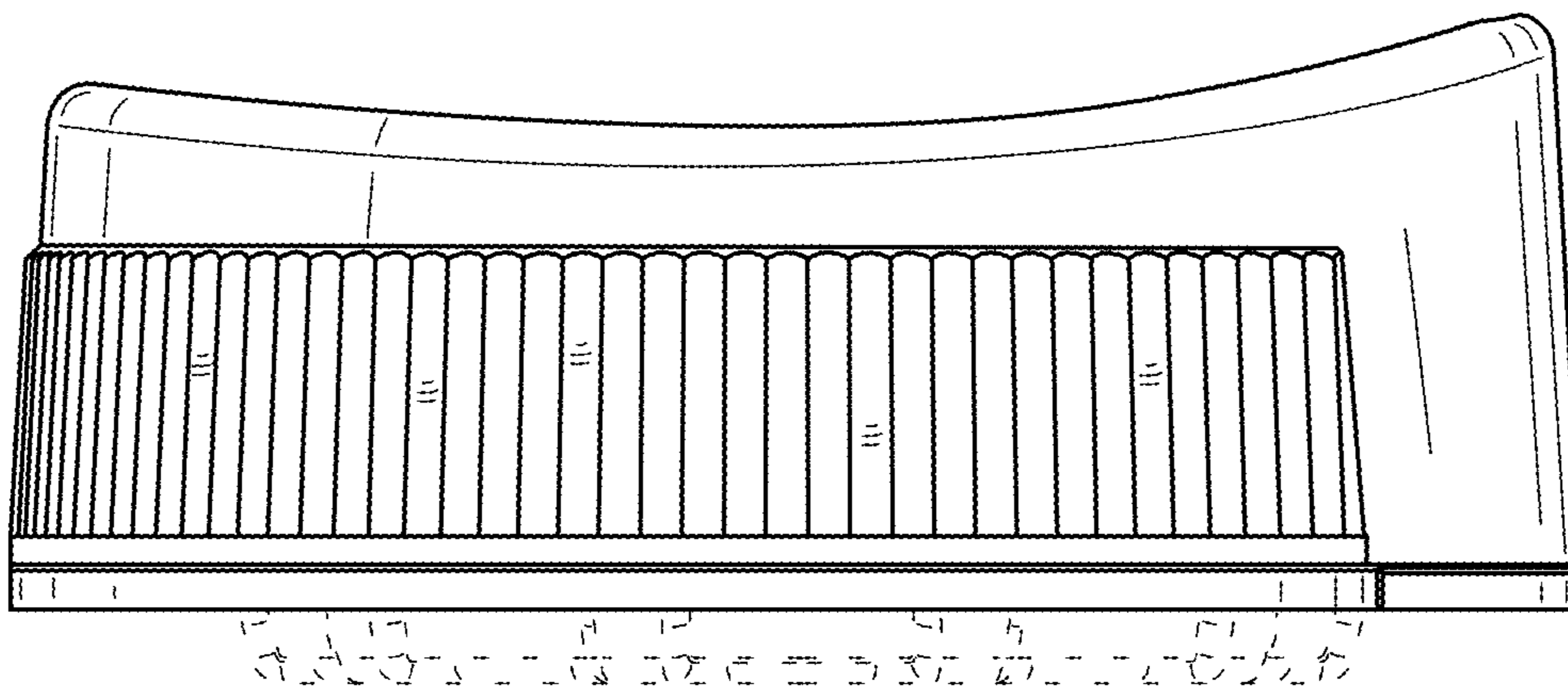


FIG. 3

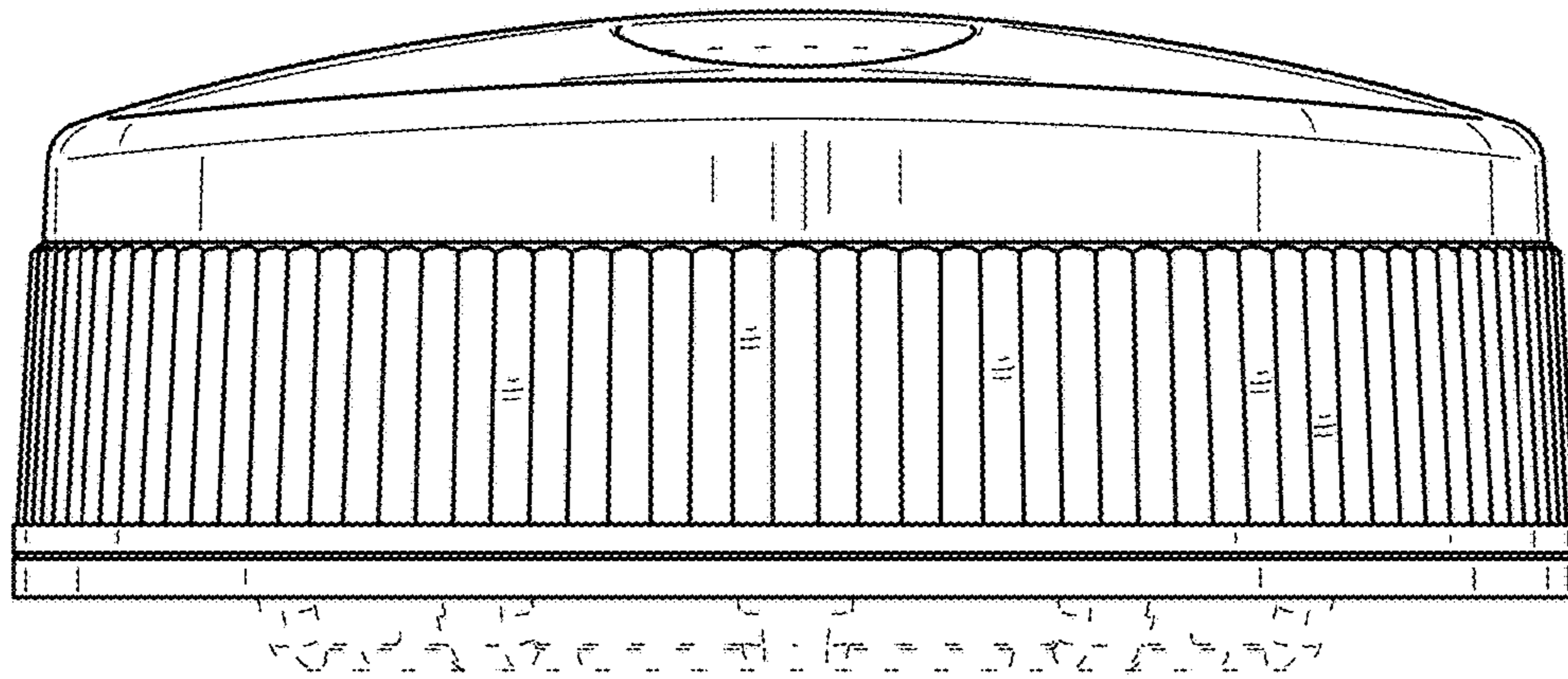


FIG. 4

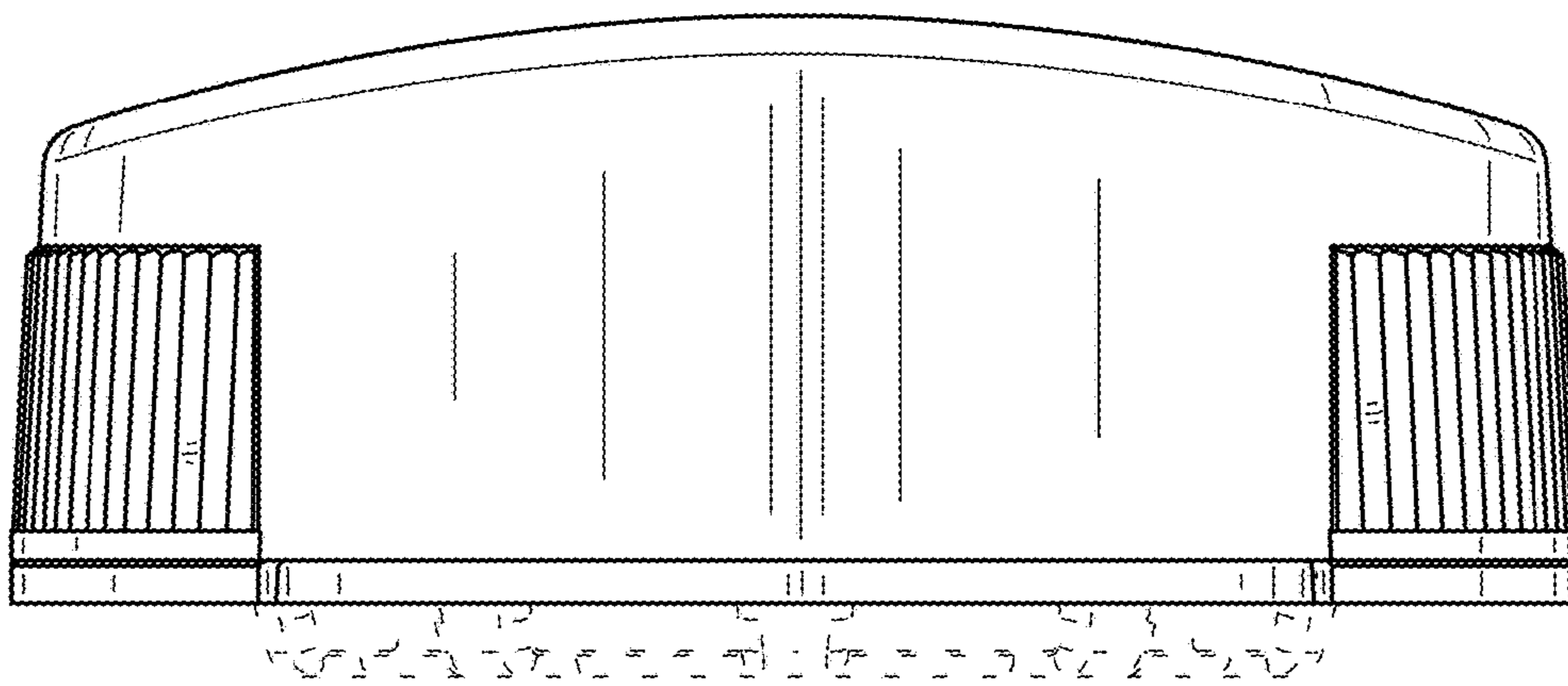


FIG. 5

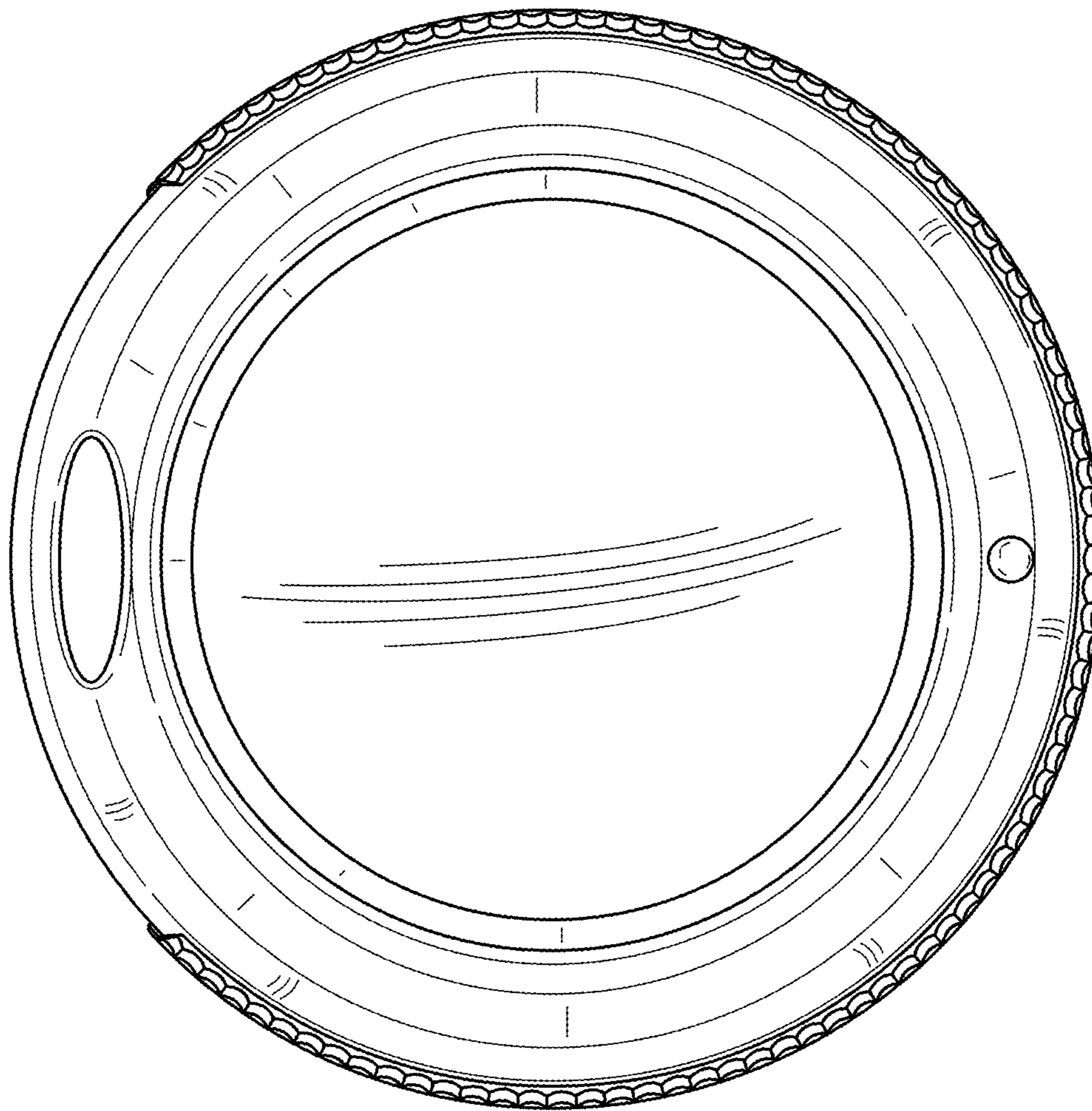


FIG.6

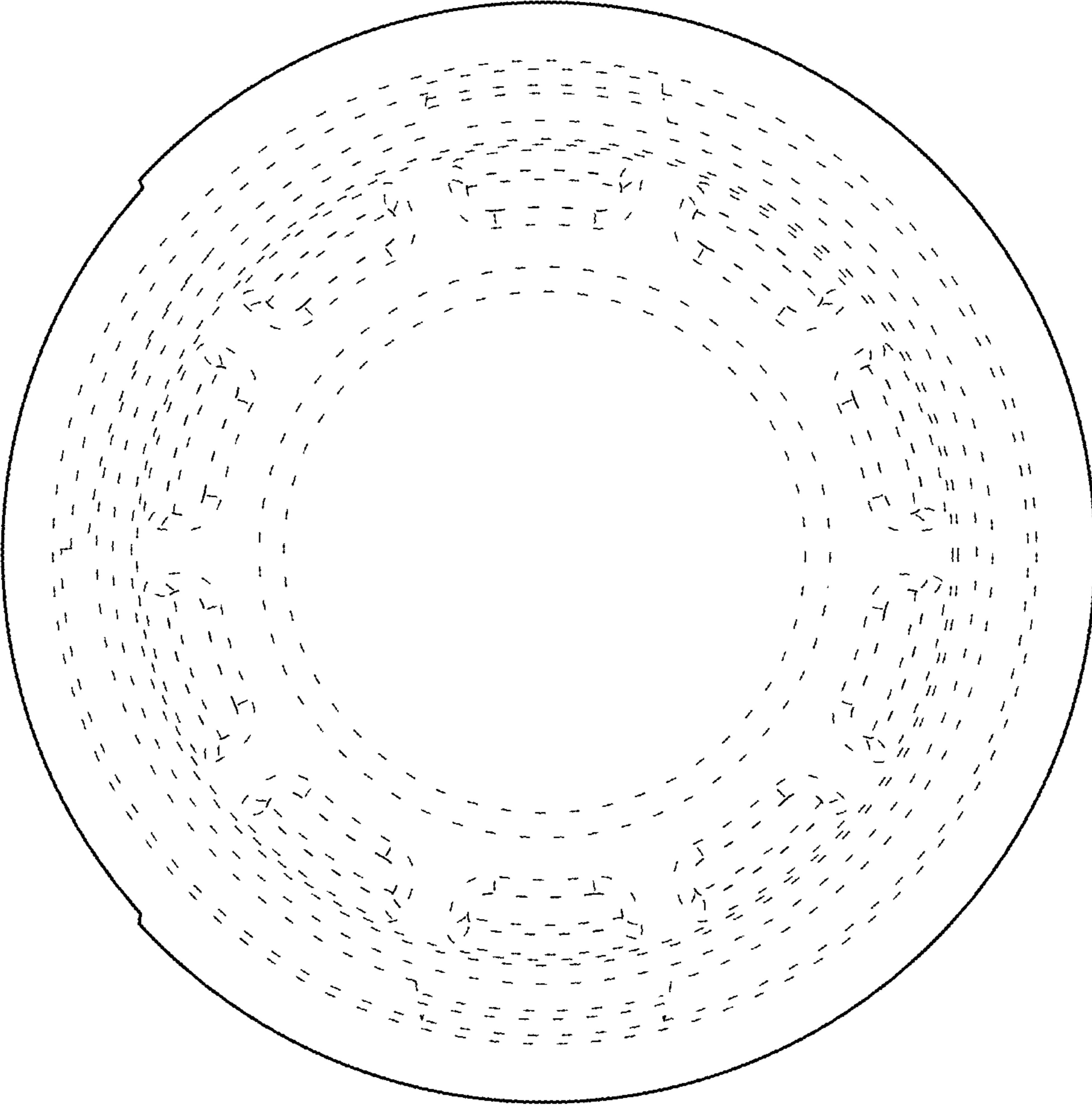


FIG.7