



US00D795005S

(12) **United States Design Patent** (10) **Patent No.:** **US D795,005 S**
Coakley et al. (45) **Date of Patent:** **** Aug. 22, 2017**

(54) **BLENDER BASE**

(71) Applicant: **SharkNinja Operating LLC**, Newton, MA (US)

(72) Inventors: **Devin Coakley**, Bellingham, MA (US);
Cory R. Smith, Aburndale, MA (US);
Chris Gidwell, Newton, MA (US);
Joyce Tu, Arlington, MA (US)

(73) Assignee: **SHARKNINJA OPERATING LLC**, Newton, MA (US)

(**) Term: **15 Years**

(21) Appl. No.: **29/531,840**

(22) Filed: **Jun. 30, 2015**

Related U.S. Application Data

(63) Continuation of application No. 29/519,682, filed on Mar. 6, 2015.

(51) **LOC (10) Cl.** **31-00**

(52) **U.S. Cl.**
USPC **D7/386; D7/376; D7/378; D7/412; D7/413**

(58) **Field of Classification Search**

USPC D7/372, 376-386, 412-413, 602, 629, D7/665-666, 669, 679, 693-694
CPC A21C 1/02; A21C 1/04; A23N 1/00; A23N 1/02; A47J 43/04; A47J 43/25; A47J 43/27; A47J 43/042; A47J 43/044; A47J 43/046; A47J 43/075; A47J 43/0722; A47J 43/0727; A47J 43/0766; B01F 3/00; B01F 3/0807; B01F 3/0853; B01F 13/0059; B01F 13/0064; B02C 1/08; B02C 2/04; B02C 4/42; B02C 4/142; B02C 4/143; B02C 4/423; B02C 13/1835; B28C 5/10; B28C 5/12; B28C 5/14; B28C 5/16

See application file for complete search history.

(56) **References Cited**

U.S. PATENT DOCUMENTS

D242,208 S *	11/1976	Madl	D7/378
D404,606 S	1/1999	Huang	
D404,607 S	1/1999	Huang	
D450,978 S	11/2001	Smith	
D488,344 S *	4/2004	Seum	D7/384
D502,047 S *	2/2005	Ledingham	D7/384
D512,265 S *	12/2005	McCurrach	D7/378
D526,531 S *	8/2006	Drees	D7/378

(Continued)

FOREIGN PATENT DOCUMENTS

EM 0013887970002 8/2013

OTHER PUBLICATIONS

Design No. 28449; Soviet Design Gazette; vol. 3; Published: Sep. 15, 1990; pp. 180-181.

(Continued)

Primary Examiner — Ricky Pham

(74) *Attorney, Agent, or Firm* — Cantor Colburn LLP

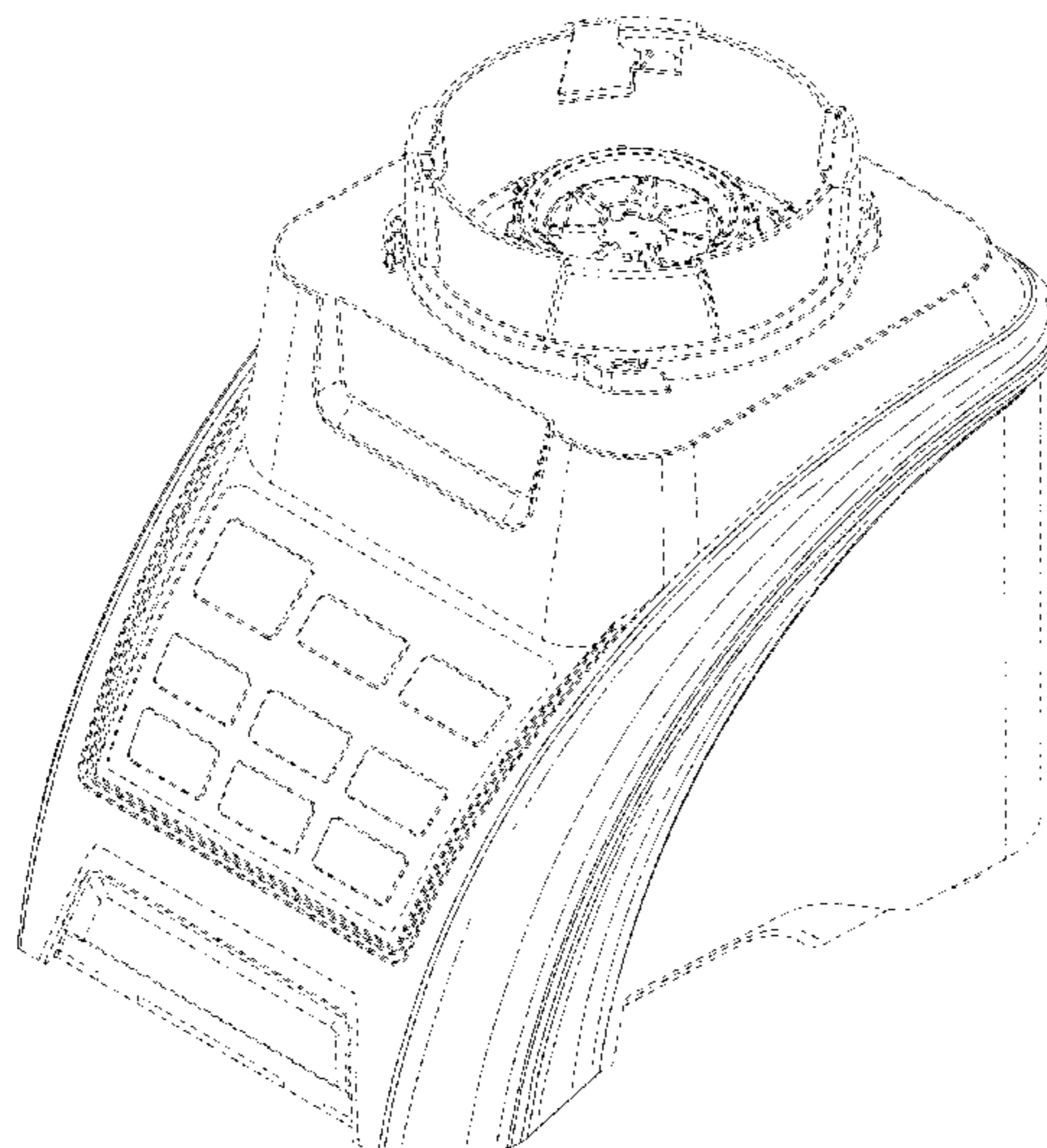
(57) **CLAIM**

The ornamental design for a blender base, as shown and described.

DESCRIPTION

FIG. 1 is a perspective view of a blender base showing our new design;
FIG. 2 is a front elevational view thereof;
FIG. 3 is a rear elevational view thereof;
FIG. 4 is a left side elevational view thereof;
FIG. 5 is a right side elevational view thereof;
FIG. 6 is a top plan view thereof; and,
FIG. 7 is a bottom plan view thereof.
The broken lines shown in the drawings are for illustrative purposes only and form no part of the claimed design.

1 Claim, 7 Drawing Sheets



(56)

References Cited

U.S. PATENT DOCUMENTS

D533,395 S * 12/2006 Drees D7/378
 D552,412 S * 10/2007 Steiner D7/378
 D552,419 S * 10/2007 Picozza D7/412
 D553,904 S * 10/2007 Romandy D7/378
 D567,578 S 4/2008 Chiappetta
 D568,096 S * 5/2008 Sun D7/378
 D577,537 S 9/2008 Lee
 D587,961 S * 3/2009 Lavy D7/378
 7,581,668 B2 9/2009 Mally
 D605,462 S * 12/2009 Picozza D7/378
 D611,760 S 3/2010 Ball
 D617,136 S * 6/2010 Bock D7/378
 D617,145 S * 6/2010 Picozza D7/378
 D625,141 S 10/2010 Moore
 D637,870 S * 5/2011 Bock D7/378
 D642,857 S 8/2011 Bodum
 D644,480 S * 9/2011 Czach D7/376
 D645,301 S 9/2011 Tse
 D647,357 S * 10/2011 Audette D7/376
 D647,367 S 10/2011 Audette et al.
 D647,368 S * 10/2011 Audette D7/376
 D654,305 S 2/2012 Gursel et al.
 D655,981 S 3/2012 Gursel et al.
 D658,430 S 5/2012 Hoare et al.
 D660,642 S 5/2012 Boozer et al.
 D667,259 S 9/2012 Lee et al.
 D667,260 S 9/2012 Lee et al.
 D667,261 S 9/2012 Lee et al.
 D668,100 S 10/2012 Palermo et al.
 D674,235 S * 1/2013 Lee D7/376
 D674,658 S * 1/2013 Fouquet D7/376
 D677,976 S * 3/2013 Palermo D7/376
 D690,152 S 9/2013 Palermo et al.
 D694,573 S * 12/2013 Norland D7/376
 D694,574 S * 12/2013 Norland D7/376
 D694,582 S * 12/2013 Norland D7/376
 D694,583 S * 12/2013 Norland D7/376
 D695,060 S 12/2013 Penaherrera et al.
 D696,063 S 12/2013 Coakley et al.
 D702,078 S 4/2014 Coakley et al.
 D704,502 S 5/2014 Coakley et al.
 D711,688 S 8/2014 Prats
 D730,681 S 6/2015 Smith et al.
 D730,682 S * 6/2015 Tu D7/376
 D730,683 S 6/2015 Tu
 D731,850 S 6/2015 Smith
 D733,488 S * 7/2015 Tu D7/376
 D745,317 S * 12/2015 Dichraff D7/376
 9,265,381 B2 * 2/2016 Beber A47J 43/046
 D755,003 S * 5/2016 Palermo D7/376
 D765,462 S * 9/2016 Davies D7/376
 D765,465 S 9/2016 Du
 D766,649 S 9/2016 Suzuki
 D771,999 S 11/2016 Kettavong et al.
 D772,011 S * 11/2016 Barquin D7/376
 D772,650 S * 11/2016 Barquin D7/376
 D773,247 S * 12/2016 Barquin D7/376
 D773,248 S 12/2016 Barquin et al.
 D773,249 S * 12/2016 Barquin D7/376
 2008/0089170 A1 * 4/2008 Larsen A47J 43/046
 366/192

2008/0089171 A1 4/2008 Larsen et al.
 2008/0219089 A1 * 9/2008 Sandford A47J 43/046
 366/197
 2009/0129200 A1 5/2009 Breviere et al.
 2010/0246319 A1 * 9/2010 Pryor, Jr. A47J 43/0766
 366/205

OTHER PUBLICATIONS

Japanese Design No. D1491535 (S); Publication Date: Mar. 3, 2014; Machine Translation; 9 Pages.
 Japanese Design No. D1491536 (S); Publication Date: Mar. 3, 2014; Machine Translation; 9 Pages.
 Japanese Design No. D1518840 (S); Publication Date: Mar. 9, 2015; Machine Translation; 10 Pages.
 Japanese Design No. D1523840 (S); Publication Date: May 18, 2015; Machine Translation; 9 Pages.
 Japanese Design No. D1528172 (S); Publication Date: Jul. 6, 2015; Machine Translation; 9 Pages.
 Japanese Design No. D1533047 (S); Publication Date: Sep. 7, 2015; Machine Translation; 9 Pages.
 Notice of References; Japanese Design Application No. 2015-19809; dated Jan. 8, 2016; 2 Pages.
 Notice of References; Japanese Design Application No. 2015-19810; dated Jan. 8, 2016; 2 Pages.
 Notice of References; Japanese Design Application No. 2015-19811; dated Jan. 8, 2016; 2 Pages.
 Notice of References; Japanese Design Application No. 2015-19812; dated Jan. 8, 2016; 2 Pages.
 Notice of References; Japanese Design Application No. 2015-19813; dated Jan. 8, 2016; 2 Pages.
 Notice of References; Japanese Design Application No. 2015-19814; dated Jan. 8, 2016; 2 Pages.
 Notice of References; Japanese Design Application No. 2015-19815; dated Jan. 8, 2016; 2 Pages.
 Notice of References; Japanese Design Application No. 2015-19816; dated Jan. 8, 2016; 2 Pages.
 Notice of References; Japanese Design Application No. 2015-19817; dated Jan. 8, 2016; 2 Pages.
 Requirement for Restriction/Election; Blender; U.S. Appl. No. 29/519,682, filed Mar. 6, 2015; 6 Pages.
 Requirement for Restriction/Election; Blender; U.S. Appl. No. 29/527,670, filed May 21, 2015; 6 Pages.
 Walmart; "Oster 600-Watt Fusion Blender, BRLY07-B00-000"; URL: <http://www.walmart.com/ip/Oster-600-Watt-Fusion-Blender/9604653>; URL Accessed: Jul. 29, 2016; 8 Pages.
 Notice of Allowance; BLENDER; U.S. Appl. No. 29/519,682, filed Mar. 6, 2015; dated Aug. 12, 2016; 6 Pages.
 Notice of Allowance; BLENDER; U.S. Appl. No. 29/519,682, filed Mar. 6, 2015; dated Sep. 23, 2016; 12 Pages.
 Notice of Allowance; BLENDER; U.S. Appl. No. 29/527,670, filed May 21, 2015; dated Aug. 9, 2016; 7 Pages.
 Notice of Allowance; BLENDER; U.S. Appl. No. 29/527,670, filed May 21, 2015; dated Sep. 27, 2016; 12 Pages.
 Notice of Allowance; U.S. Appl. No. 29/519,682, filed Mar. 6, 2015; BLENDER; dated Jan. 9, 2017; 11 Pages.
 Notice of Allowance; U.S. Appl. No. 29/527,670, filed May 21, 2015; BLENDER; dated Jan. 9, 2017; 11 Pages.

* cited by examiner

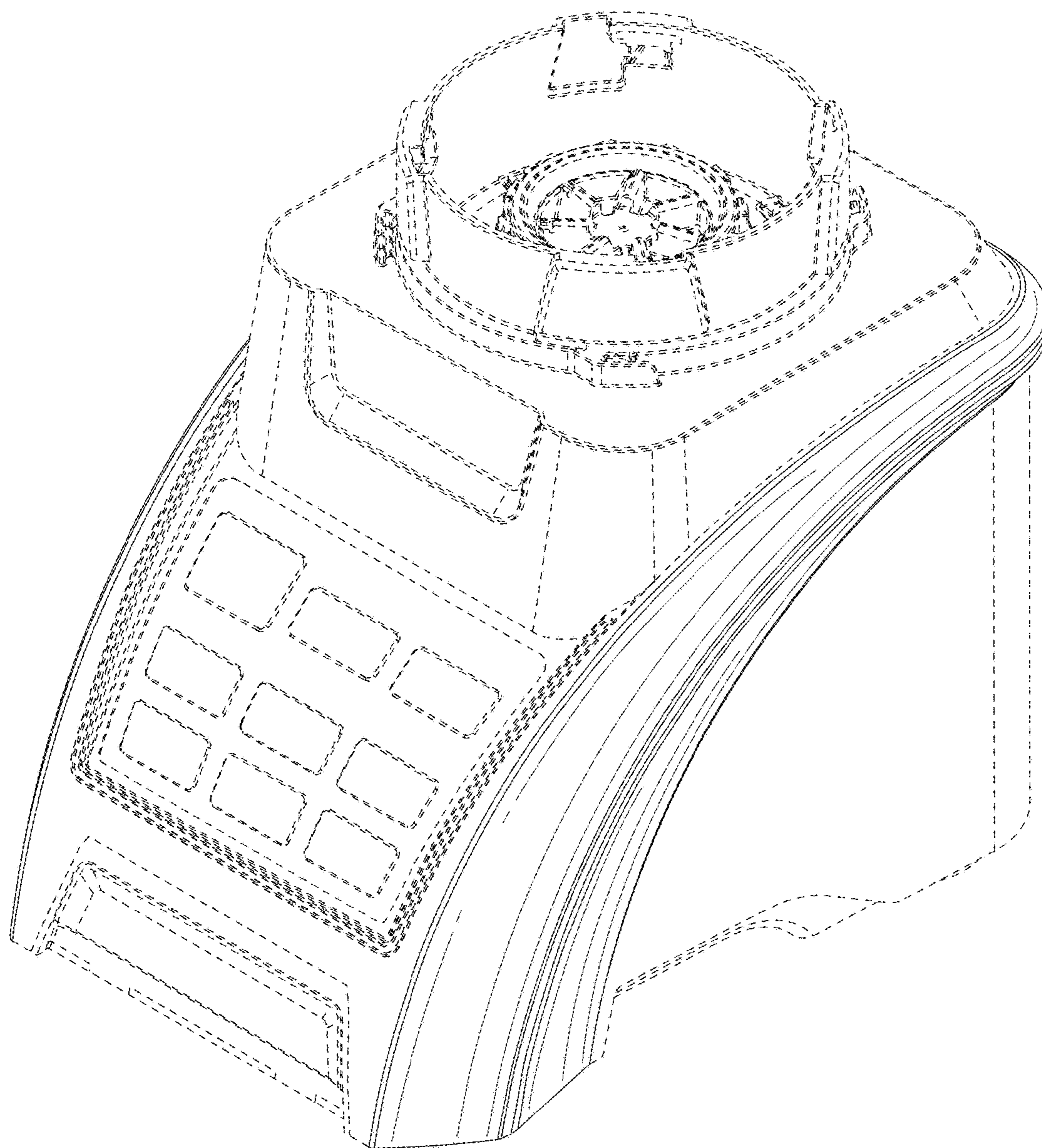


FIG. 1

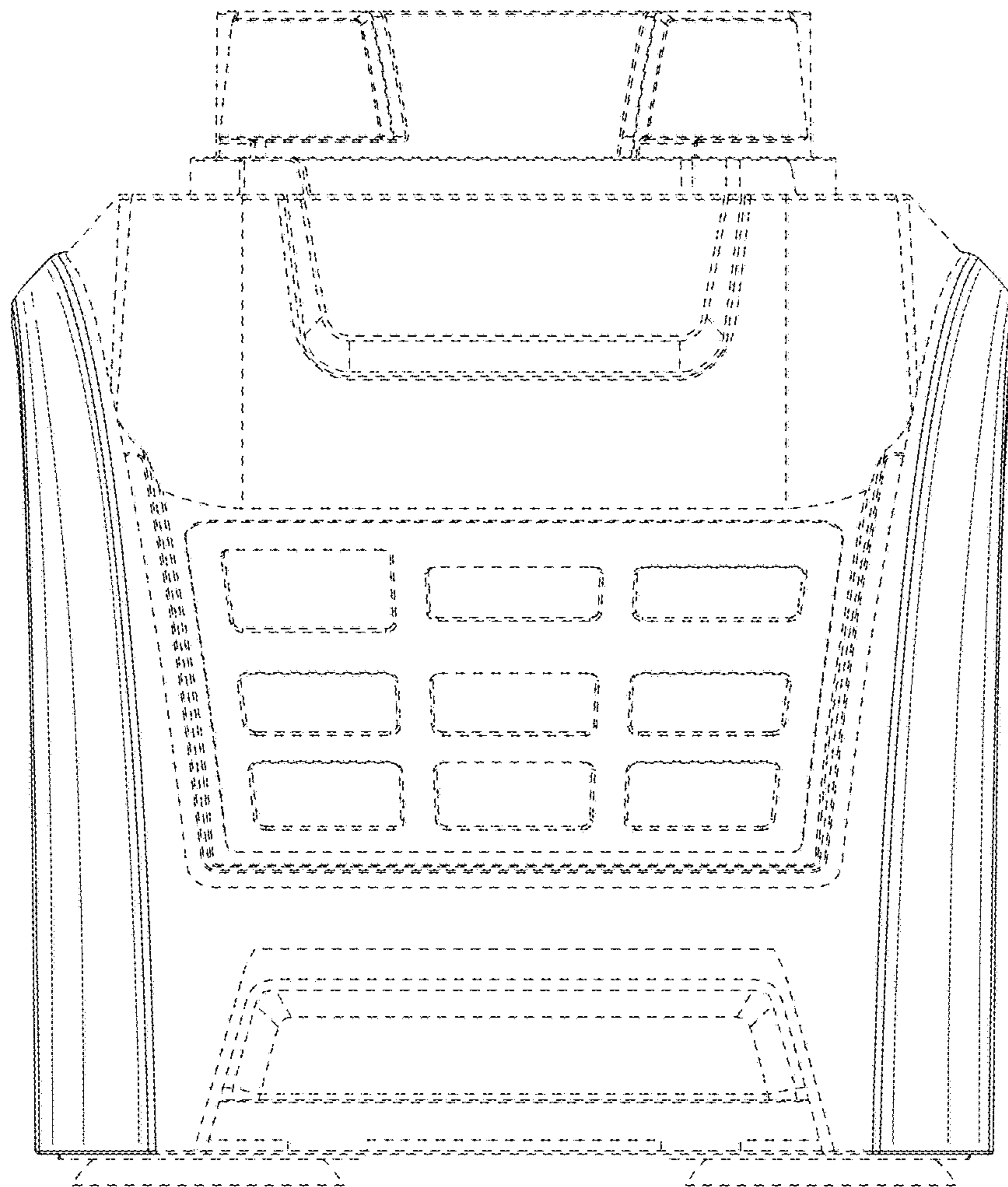


FIG. 2

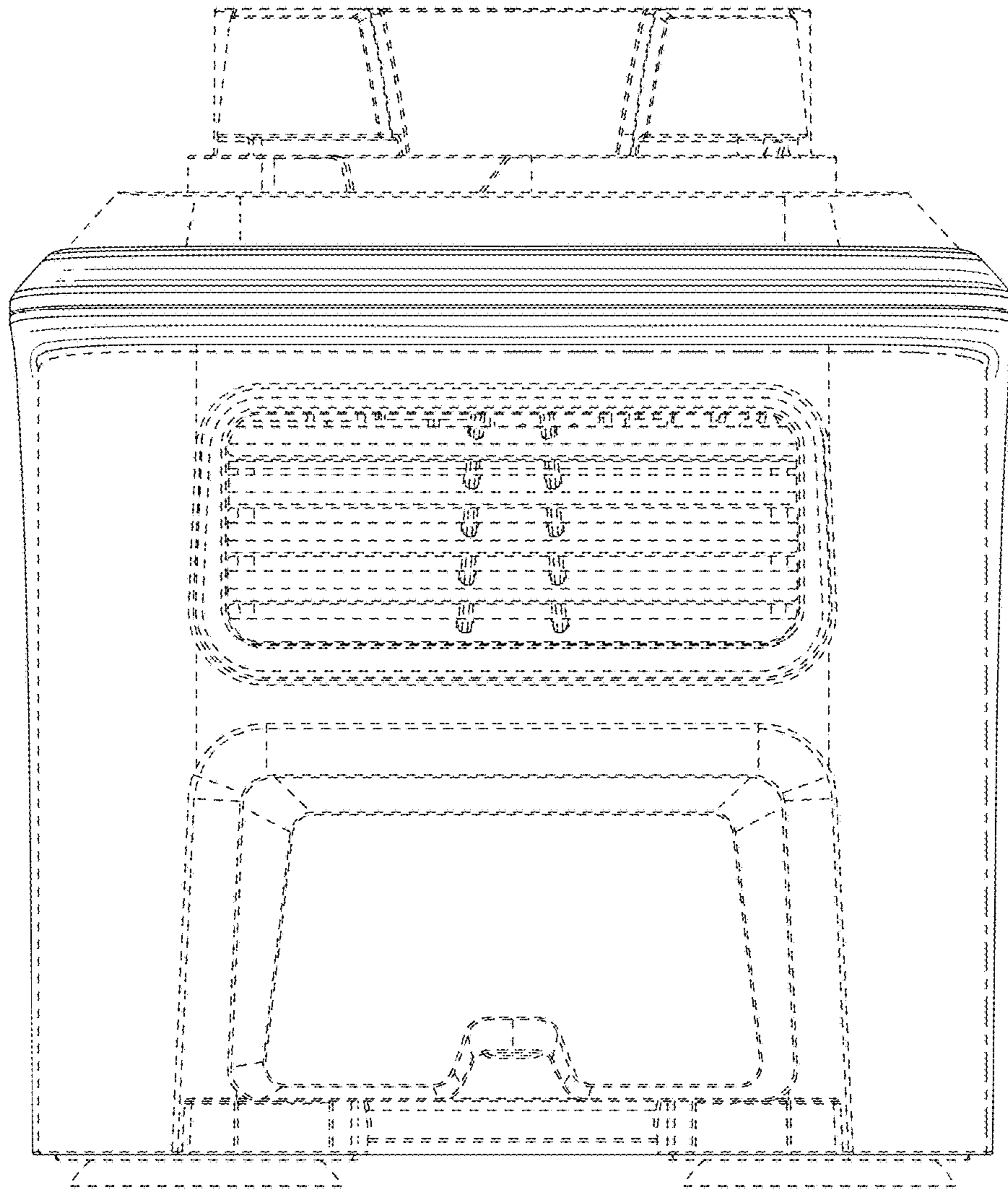


FIG. 3

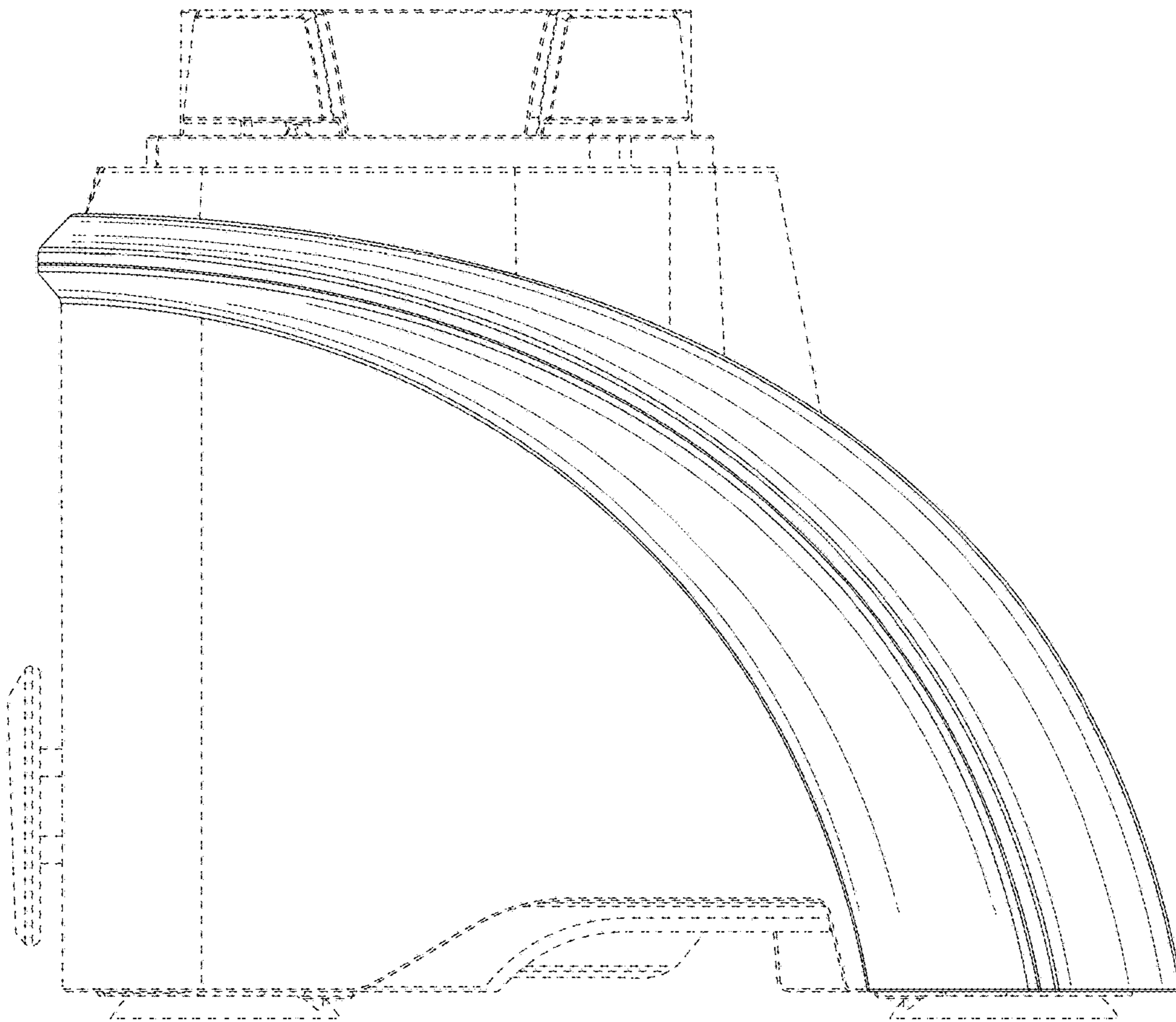


FIG. 4

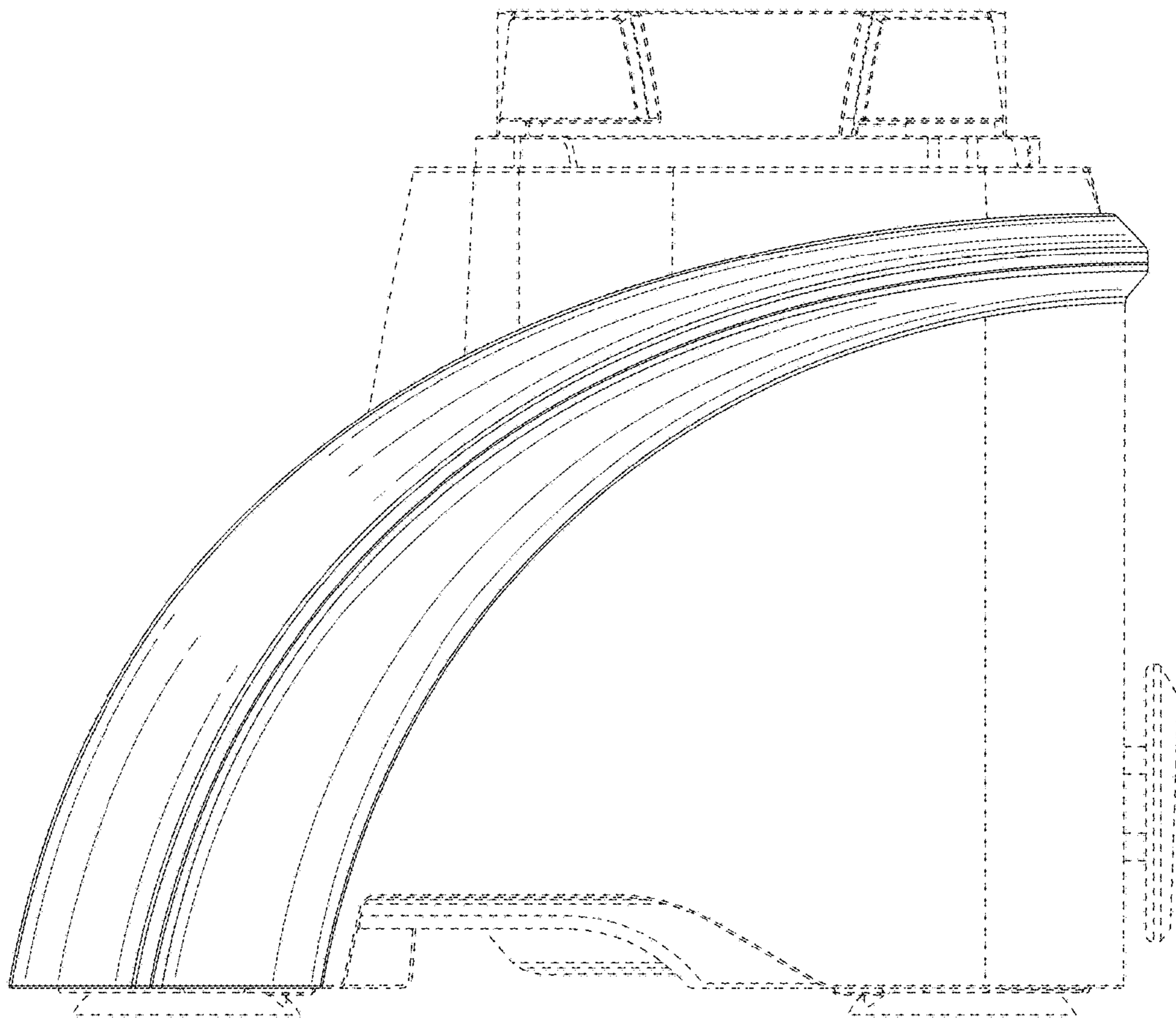


FIG. 5

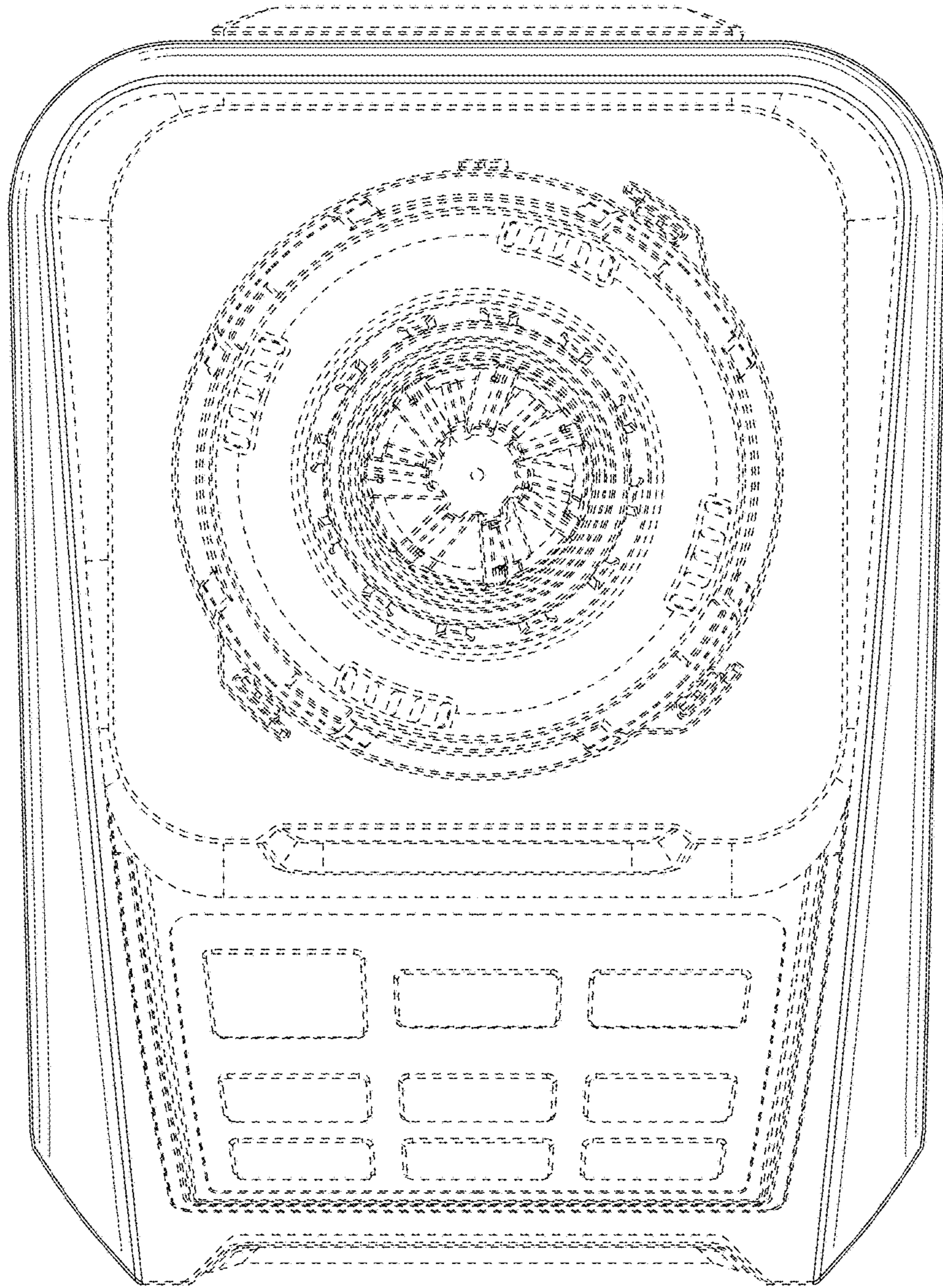


FIG. 6

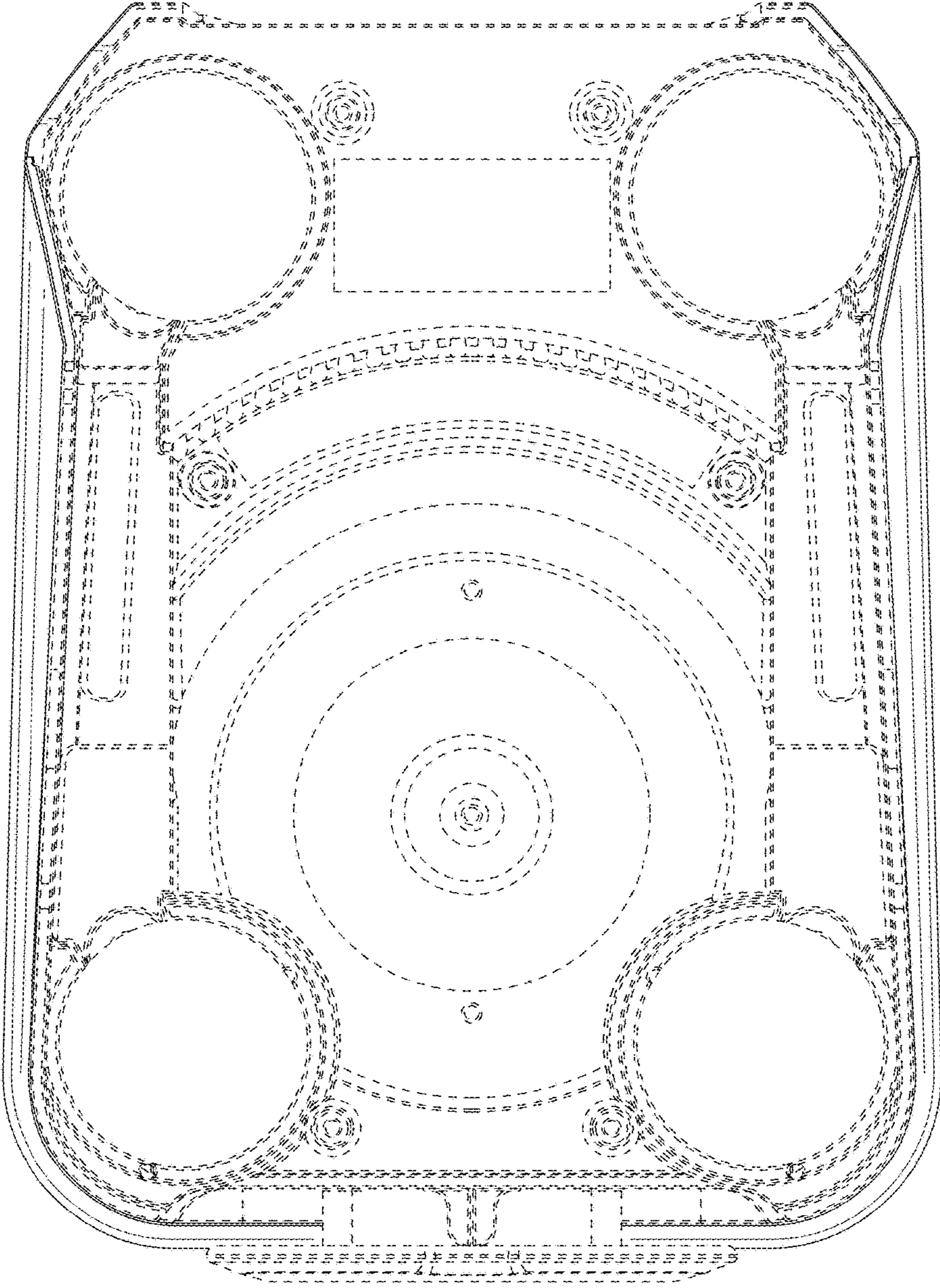


FIG. 7