



US00D795004S

(12) **United States Design Patent** (10) **Patent No.:** **US D795,004 S**
Steel (45) **Date of Patent:** **** Aug. 22, 2017**

(54) **MIXING BALL** 5,544,960 A * 8/1996 Sommovigo A47J 43/27
366/130

(71) Applicant: **Jeffrey Steel**, Hoboken, NJ (US) D378,536 S * 3/1997 Fireman D21/479
5,725,500 A * 3/1998 Micheler A61J 1/062
366/130

(72) Inventor: **Jeffrey Steel**, Hoboken, NJ (US) 6,379,032 B1 * 4/2002 Sorensen B01F 13/002
366/130

(73) Assignee: **Cotapaxi Custom Design and Manufacturing LLC**, Carlstadt, NJ (US) D476,522 S * 7/2003 Renz D7/376
D516,640 S * 3/2006 Shore D21/707
D516,646 S * 3/2006 Yang D21/713
D554,811 S * 11/2007 Rutherford D30/160
D556,275 S * 11/2007 Crane D21/707
7,441,941 B2 * 10/2008 Vernon A47J 43/10
366/130

(**) Term: **15 Years**

(21) Appl. No.: **29/579,173** D594,606 S * 6/2009 DeSeguirant, Jr. D30/160
D634,380 S * 3/2011 Walling, Jr. D21/713
D635,693 S * 4/2011 Hoover D26/4
D657,506 S * 4/2012 Viola D30/160
D675,872 S * 2/2013 Avila D7/376
8,579,741 B2 * 11/2013 Heland A63B 43/002
473/595

(22) Filed: **Sep. 28, 2016**

Related U.S. Application Data

(63) Continuation of application No. 29/535,291, filed on Aug. 5, 2015, now Pat. No. Des. 776,478.

(51) **LOC (10) Cl.** **31-00**

(52) **U.S. Cl.**
USPC **D7/376**

(58) **Field of Classification Search**
USPC D7/376, 380, 387, 412-415, 682;
D21/707, 713; D30/160
CPC B01F 13/002; B01F 13/0052; B01F
13/00506; B01F 11/0082; B01F 3/08;
B01F 3/12
See application file for complete search history.

References Cited

(56) **U.S. PATENT DOCUMENTS**

2,198,861 A * 4/1940 Chamberlain B01J 19/30
261/95

3,429,654 A * 2/1969 Friedrichsen B01J 8/34
261/DIG. 72

4,191,178 A * 3/1980 Wisnieski A61H 7/001
601/131

D301,161 S * 5/1989 Dunse D21/707

D372,749 S * 8/1996 Klundt D21/707

(Continued)

Primary Examiner — Darlington Ly
Assistant Examiner — Daniel J Domino
(74) *Attorney, Agent, or Firm* — Steven E. Shapiro

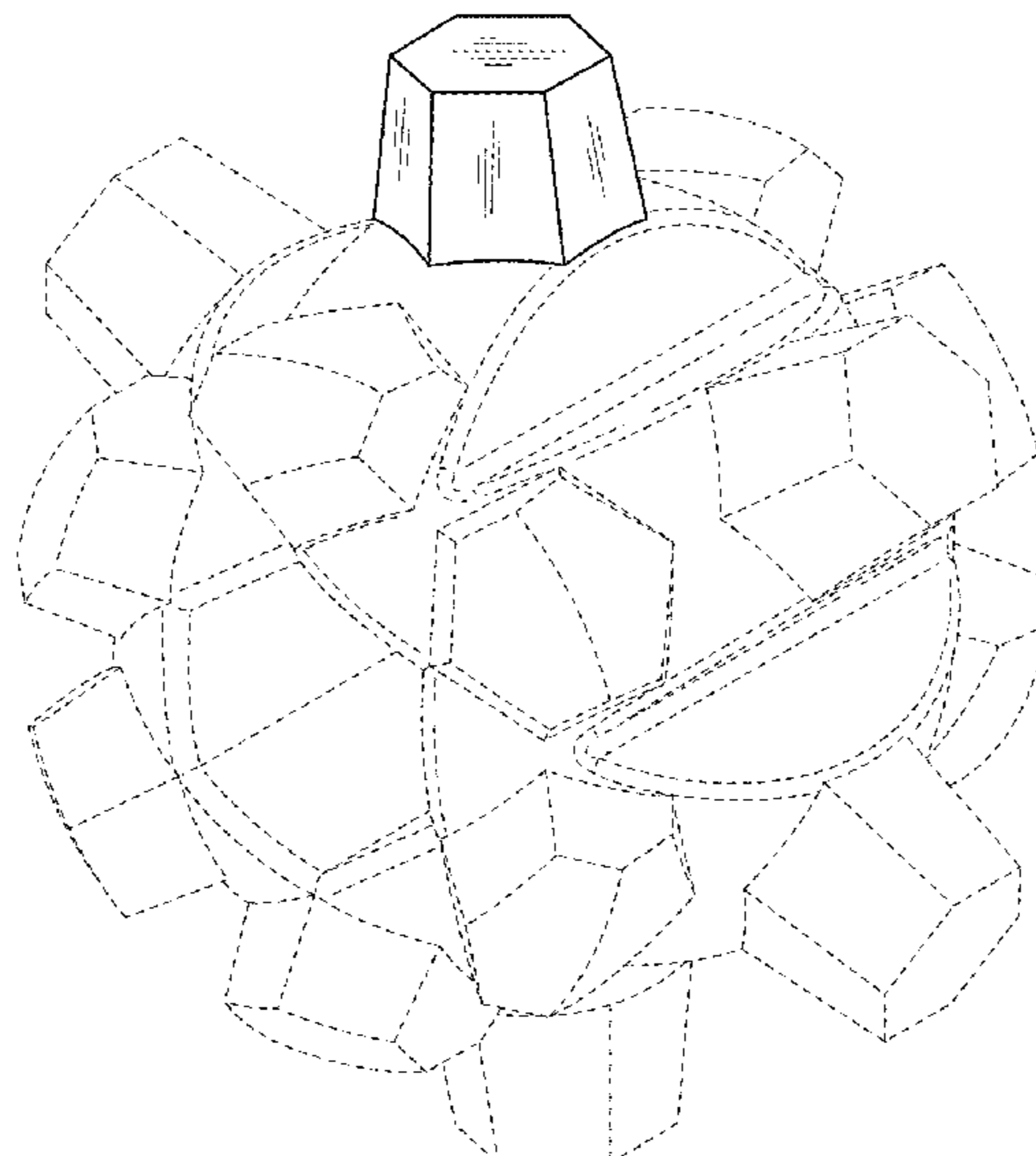
(57) **CLAIM**

The ornamental design for a mixing ball, as shown and described.

DESCRIPTION

FIG. 1 is a top perspective view of a mixing ball;
FIG. 2 is a top side perspective view of the mixing ball;
FIG. 3 is a front view of the mixing ball;
FIG. 4 is a rear view of the mixing ball;
FIG. 5 is a top view of the mixing ball;
FIG. 6 is a right side view of the mixing ball; and,
FIG. 7 is a left side view of the mixing ball.
The broken lines represent portions of the mixing ball that form no part of the claimed design.

1 Claim, 7 Drawing Sheets



(56)

References Cited

U.S. PATENT DOCUMENTS

D697,566	S *	1/2014	Smith	D21/713
D701,583	S *	3/2014	Wade	D21/707
D705,499	S *	5/2014	Zamarripa	D30/124
D718,397	S *	11/2014	Nagi	D21/708
D723,325	S *	3/2015	Enghard	D7/213
D724,681	S *	3/2015	Rub	D21/398
D725,204	S *	3/2015	Rub	D21/398
D725,205	S *	3/2015	Rub	D21/398
D725,431	S *	3/2015	Enghard	D7/213
D733,814	S *	7/2015	Gustafson	D21/662
D736,559	S *	8/2015	Enghard	D7/213
D747,416	S *	1/2016	Zawitz	D21/318
D749,375	S *	2/2016	Makela	D7/688
D776,478	S *	1/2017	Steel	D7/376
2014/0119154	A1 *	5/2014	Kershaw	B01F 13/0022 366/130

* cited by examiner

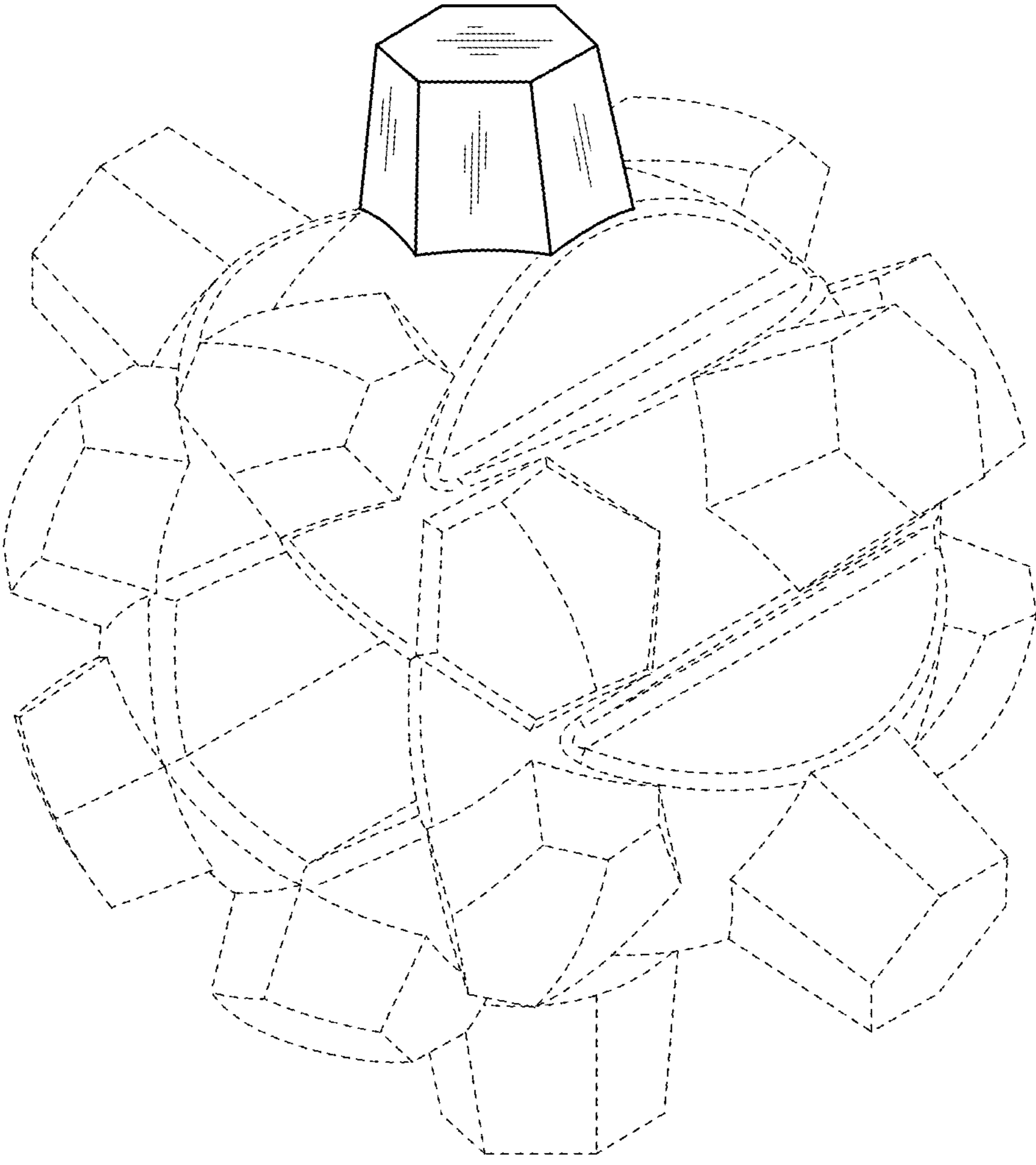


FIG. 1

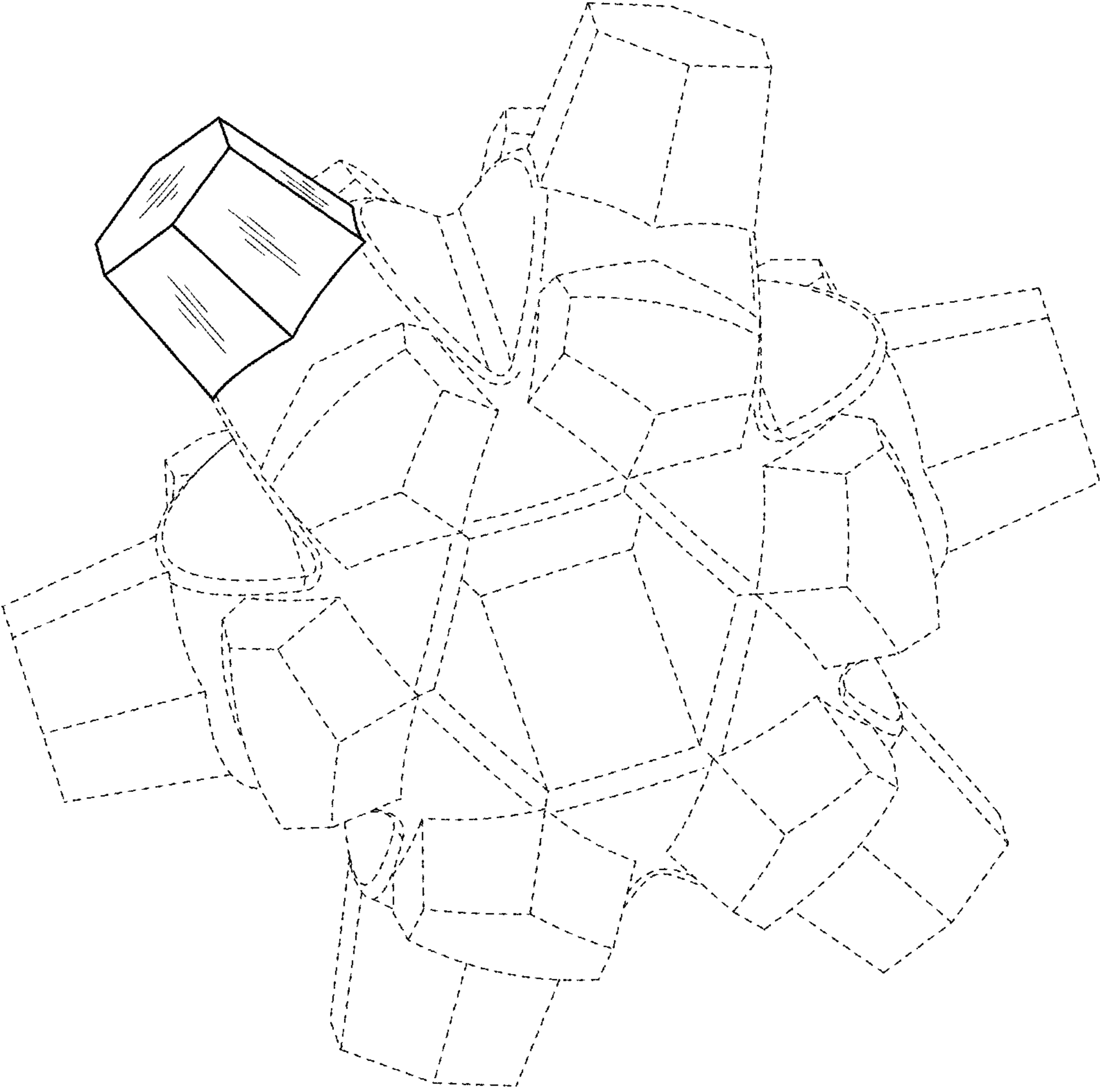


FIG. 2

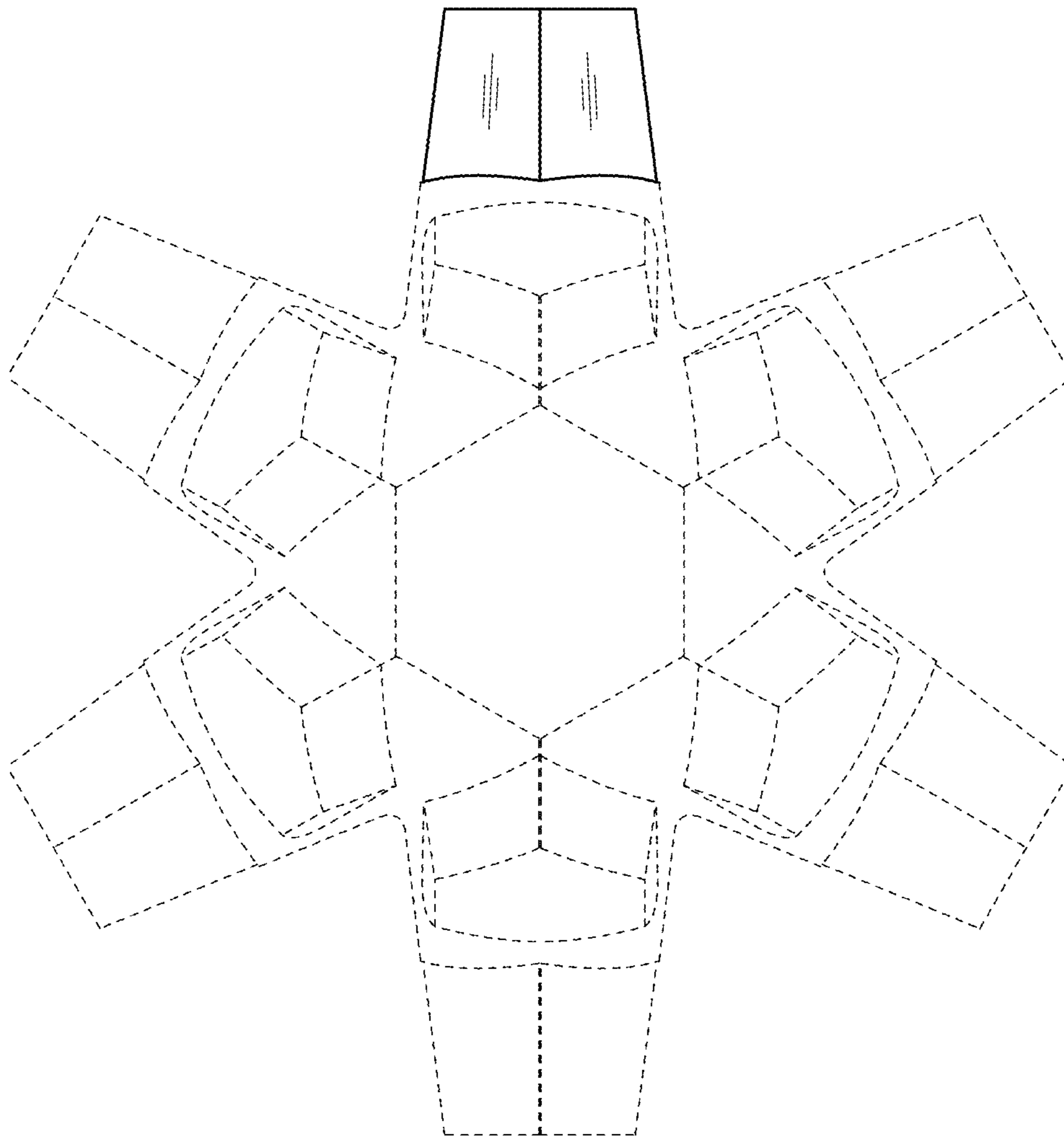


FIG. 3

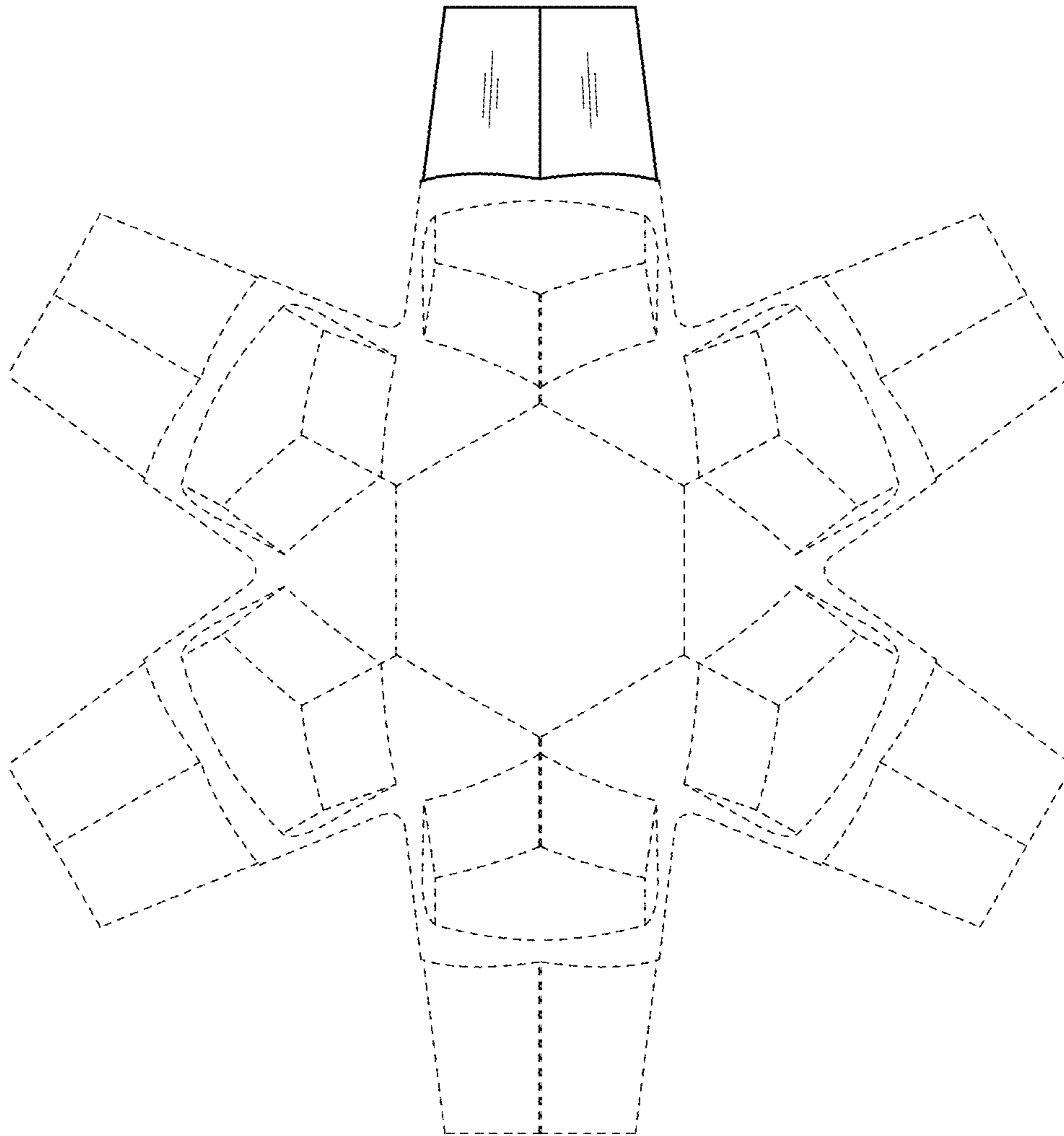


FIG. 4

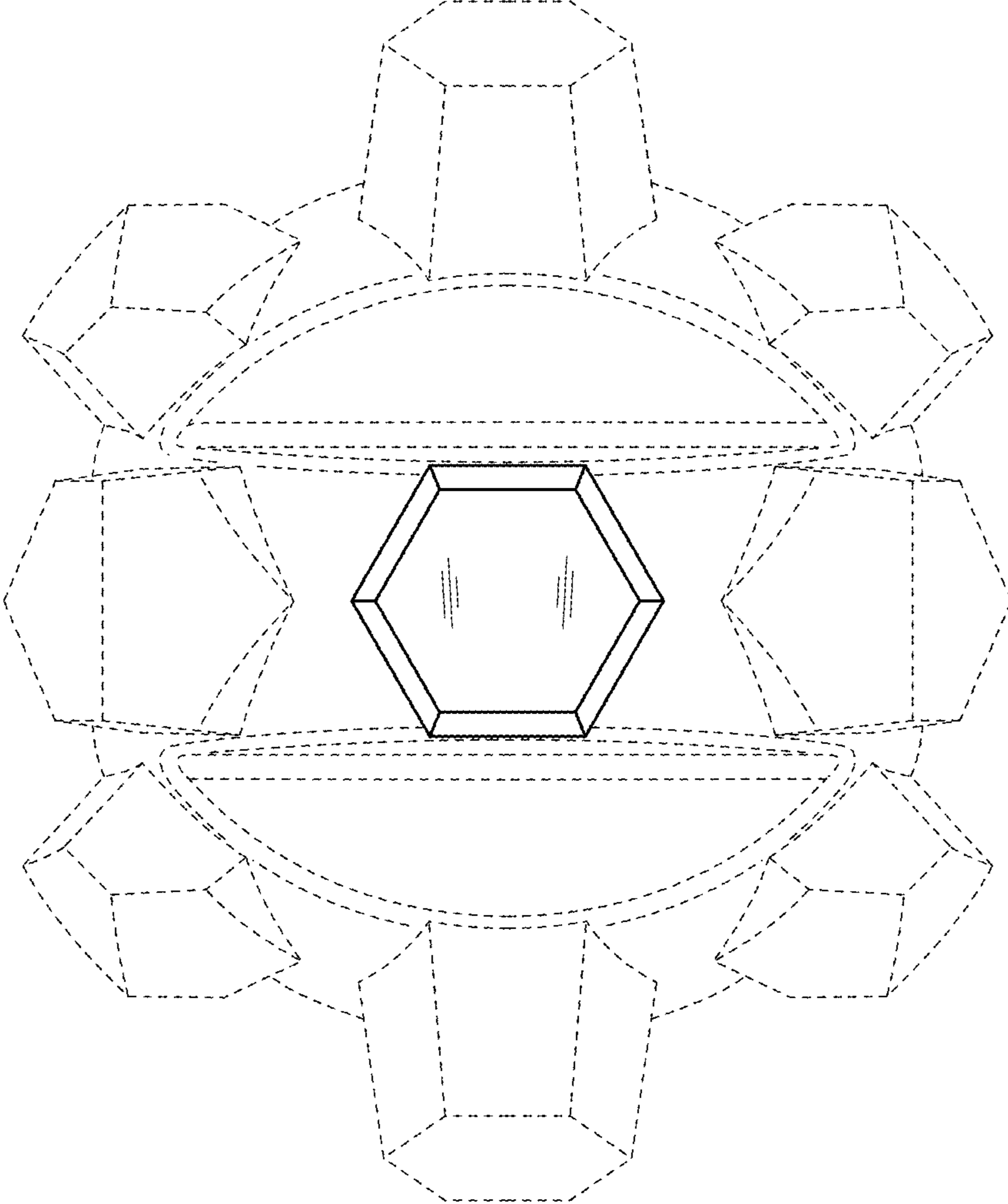


FIG. 5

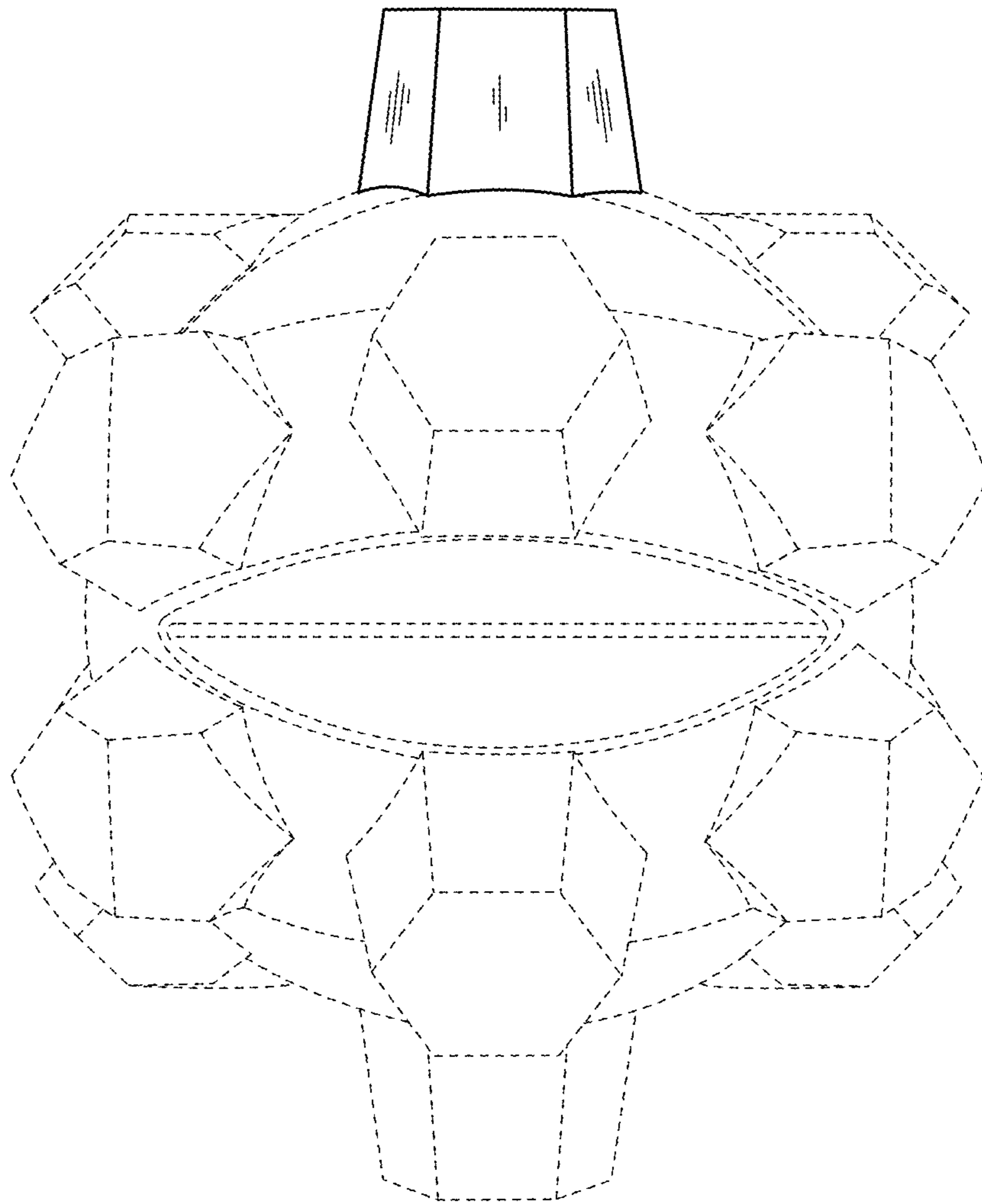


FIG. 6

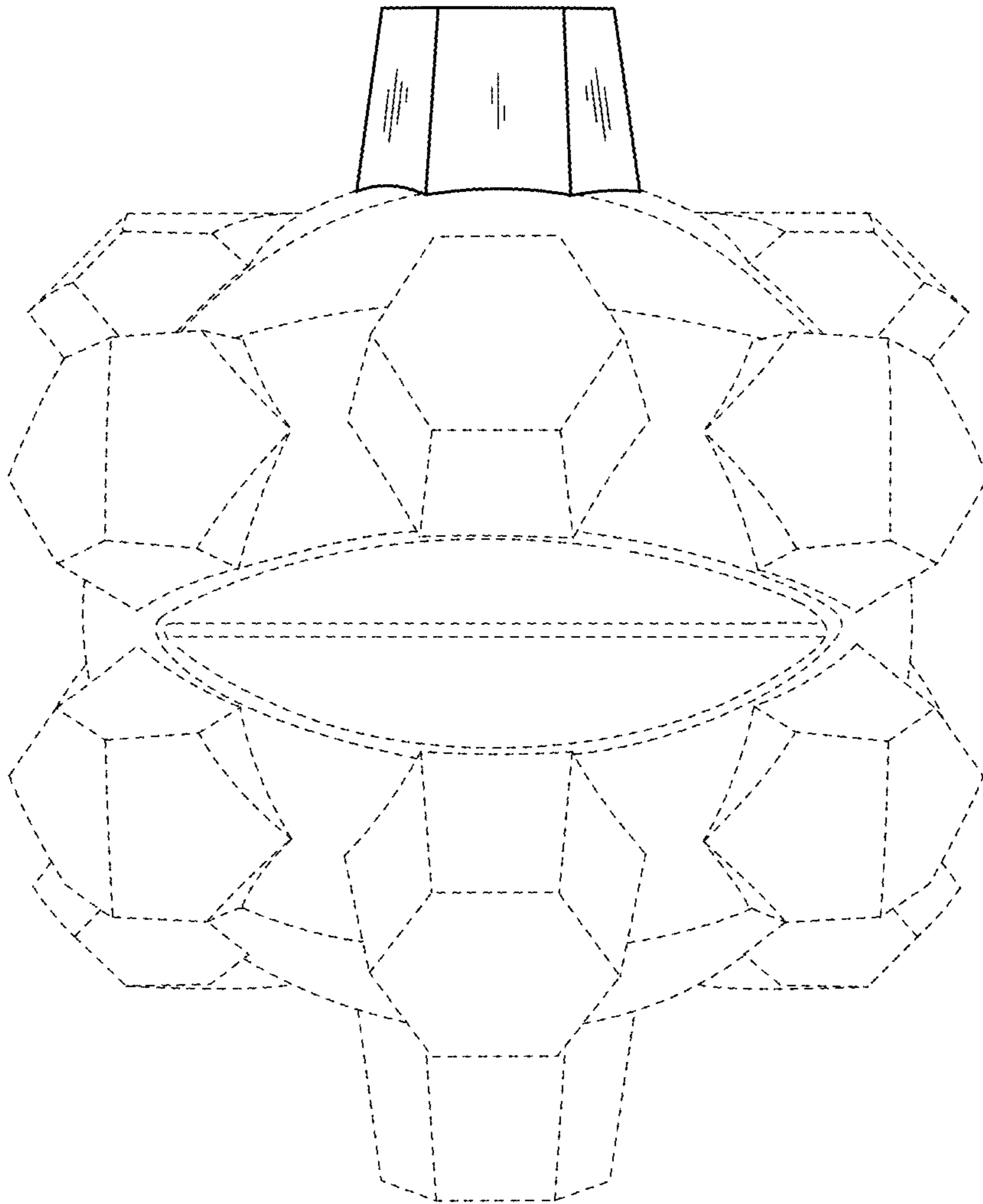


FIG. 7