



US00D795003S

(12) **United States Design Patent**
Lee

(10) **Patent No.:** **US D795,003 S**
(45) **Date of Patent:** **** Aug. 22, 2017**

(54) **COOKING PAN FOR USE IN HEATING COOKERS**

(71) Applicant: **Jin Hee Lee**, Seoul (KR)

(72) Inventor: **Jin Hee Lee**, Seoul (KR)

(**) Term: **15 Years**

(21) Appl. No.: **29/558,069**

(22) Filed: **Mar. 15, 2016**

(30) **Foreign Application Priority Data**

Feb. 17, 2016 (KR) 30-2016-0007198

(51) **LOC (10) Cl.** **07-02**

(52) **U.S. Cl.**
USPC **D7/362; D7/352; D7/409**

(58) **Field of Classification Search**
USPC D7/323, 332, 335-337, 354-367,
D7/387-388, 402, 407-409; D9/428
CPC A21B 2/00; A21B 3/00; A21B 3/13; A21B
3/15; A21B 5/00; A21B 5/02; A23N
12/06; A23N 12/08; A23N 12/10; A47J
27/004; A47J 36/34; A47J 37/00; A47J
37/04; A47J 37/041; A47J 37/042; A47J
37/06; A47J 37/0629; A47J 37/0688;
A47J 37/0694; A47J 37/07; A47J
37/0704; A47J 37/10; A47J 37/108; A47J
47/20; A47J 2037/00; A47J 2037/06;
A47J 2037/0611; A47J 2037/07; A47J
2037/0786; A47J 2037/0795; F24C 15/10;
F24C 15/12; F24C 15/14; F24C 15/16;
F24C 15/164; F24C 15/18

See application file for complete search history.

(56) **References Cited**

U.S. PATENT DOCUMENTS

D252,008 S * 6/1979 Jeambey 426/243
D264,036 S * 4/1982 Pomroy D7/359

5,970,858 A * 10/1999 Boehm A47J 37/0629
99/400
6,082,249 A * 7/2000 Su A47J 27/004
99/340
D440,490 S * 4/2001 Lizzio D9/428
D621,650 S * 8/2010 DeLeo D7/354
D653,904 S * 2/2012 Lee D7/362
D661,542 S * 6/2012 Lee D7/362
D678,712 S * 3/2013 Mehler D7/354
D688,089 S * 8/2013 Lee D7/362
D695,059 S * 12/2013 Mehler D7/354
D696,548 S * 12/2013 Weskamp D7/354
D730,680 S * 6/2015 Palermo D7/367
9,055,842 B2 * 6/2015 Kim A47J 36/34

(Continued)

Primary Examiner — Ricky Pham

(74) *Attorney, Agent, or Firm* — Kile Park Reed & Houtteman PLLC

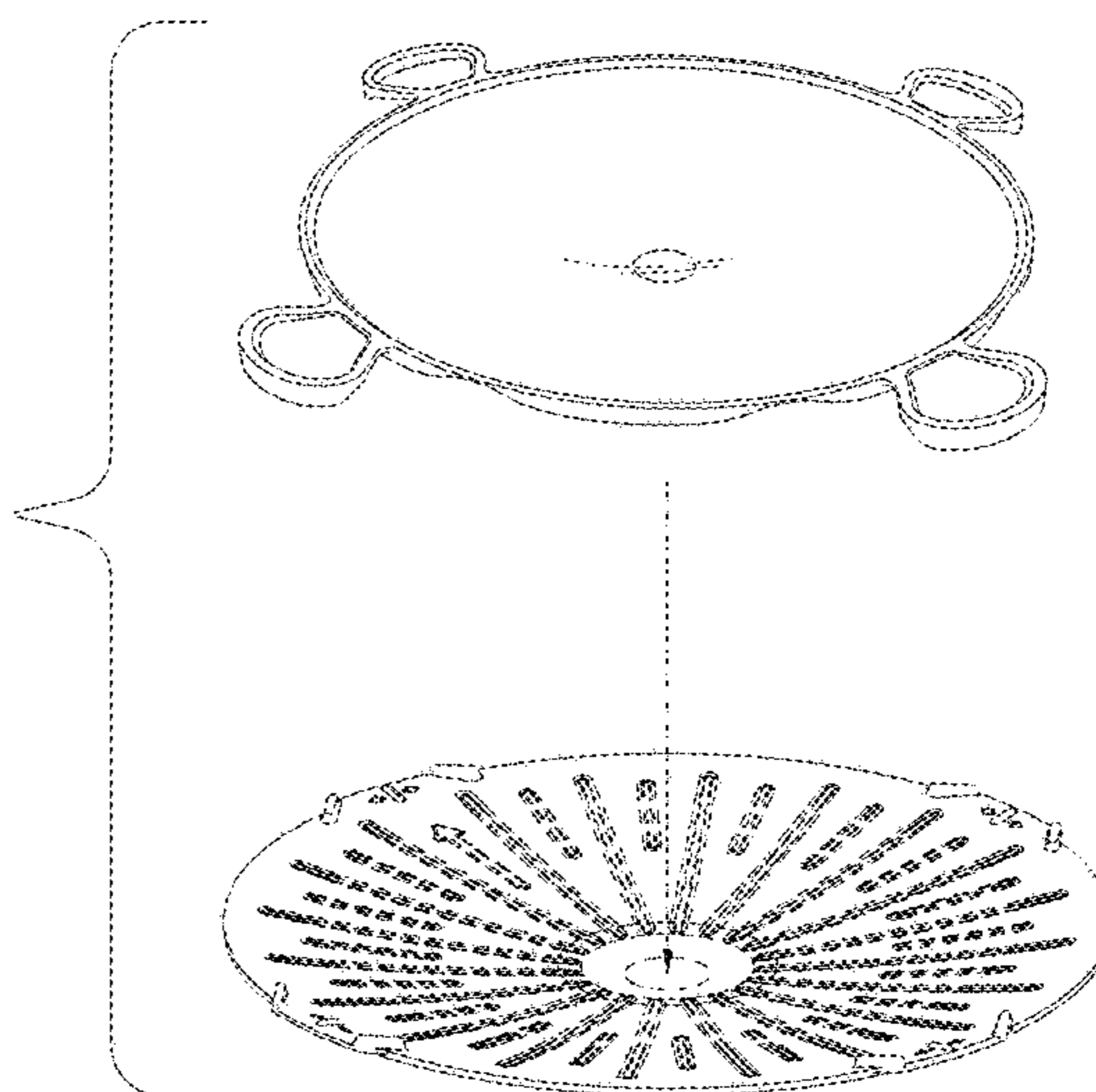
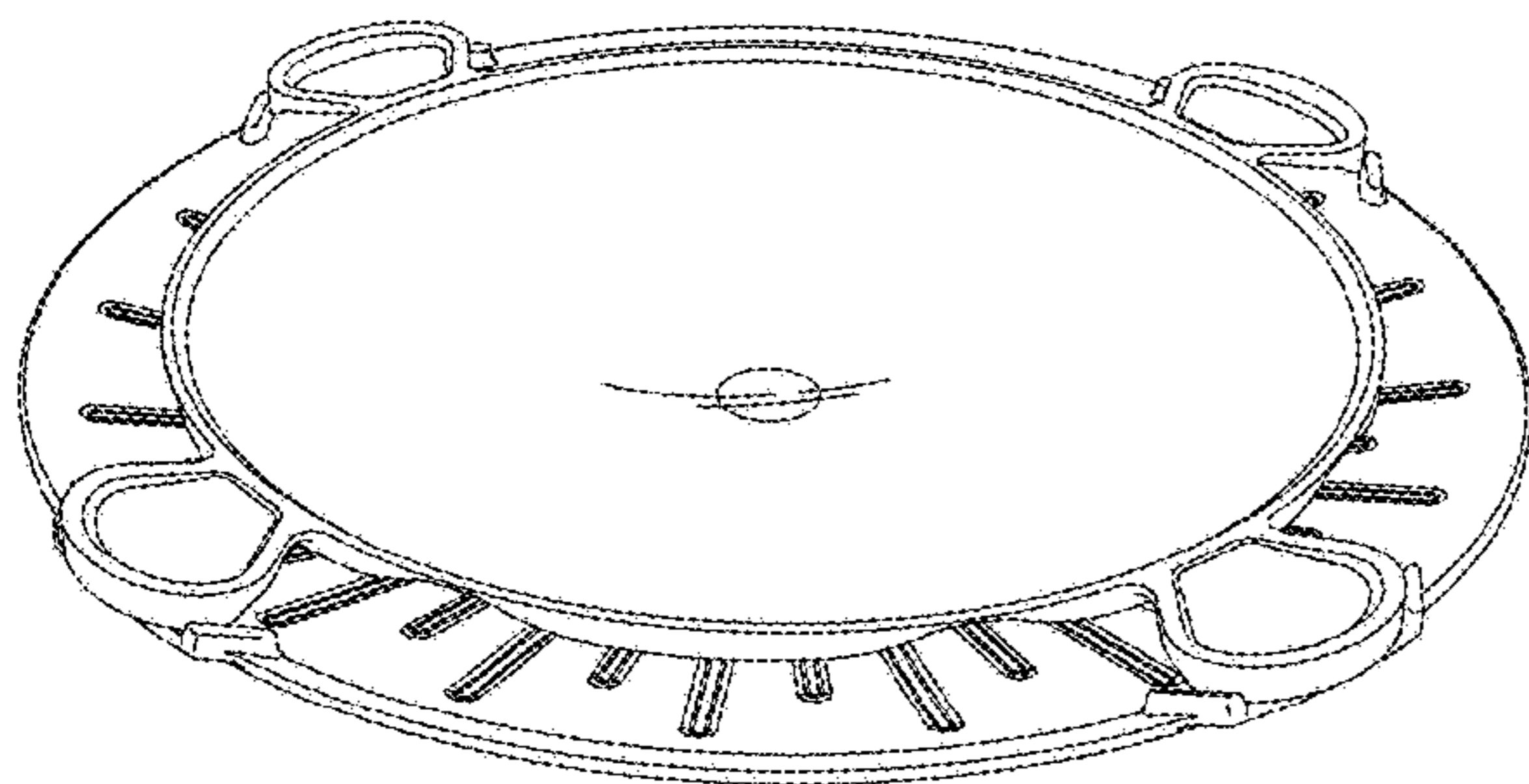
(57) **CLAIM**

I claim, the ornamental design for a cooking pan for use in heating cookers, as shown and described.

DESCRIPTION

FIG. 1 is a top and front perspective view of a cooking pan for use in heating cookers, showing my new design; FIG. 2 is a front elevational view thereof; FIG. 3 is a rear elevational view thereof; FIG. 4 is a left side elevational view thereof; FIG. 5 is a right side elevational view thereof; FIG. 6 is a top plan view thereof; FIG. 7 is a bottom plan view thereof; and, FIG. 8 is an exploded reference perspective view showing how an upper cooking pan and a lower cooking pan of the cooking pan for use in heating cookers are assembled with and disassembled from each other in the arrow direction. The broken lines of FIG. 8 are shown for the purpose of illustrating parts of the cooking pan for use in heating cookers and form no part of the claimed design.

1 Claim, 6 Drawing Sheets



(56)

References Cited

U.S. PATENT DOCUMENTS

D743,733	S	*	11/2015	Lee	D7/362
D743,734	S	*	11/2015	Lee	D7/362
D749,906	S	*	2/2016	Lee	D7/362
D764,859	S	*	8/2016	Lee	D7/352
D764,860	S	*	8/2016	Lee	D7/352
D764,861	S	*	8/2016	Lee	D7/352
D764,862	S	*	8/2016	Lee	D7/352
D768,428	S	*	10/2016	Lee	D7/352
D768,429	S	*	10/2016	Lee	D7/352
D768,430	S	*	10/2016	Lee	D7/352
D768,431	S	*	10/2016	Lee	D7/352
D768,432	S	*	10/2016	Lee	D7/352
D769,049	S	*	10/2016	Lee	D7/352
D769,050	S	*	10/2016	Lee	D7/352
D769,051	S	*	10/2016	Lee	D7/352
D769,052	S	*	10/2016	Lee	D7/352
D769,053	S	*	10/2016	Lee	D7/352
D769,054	S	*	10/2016	Lee	D7/352
D769,056	S	*	10/2016	Lee	D7/352
D769,057	S	*	10/2016	Lee	D7/352
D769,058	S	*	10/2016	Lee	D7/352
D769,059	S	*	10/2016	Lee	D7/352
D770,221	S	*	11/2016	Lee	D7/352
D772,648	S	*	11/2016	Palermo	D7/367
2009/0095168	A1	*	4/2009	Shu	A47J 37/108 99/425

* cited by examiner

FIG. 1

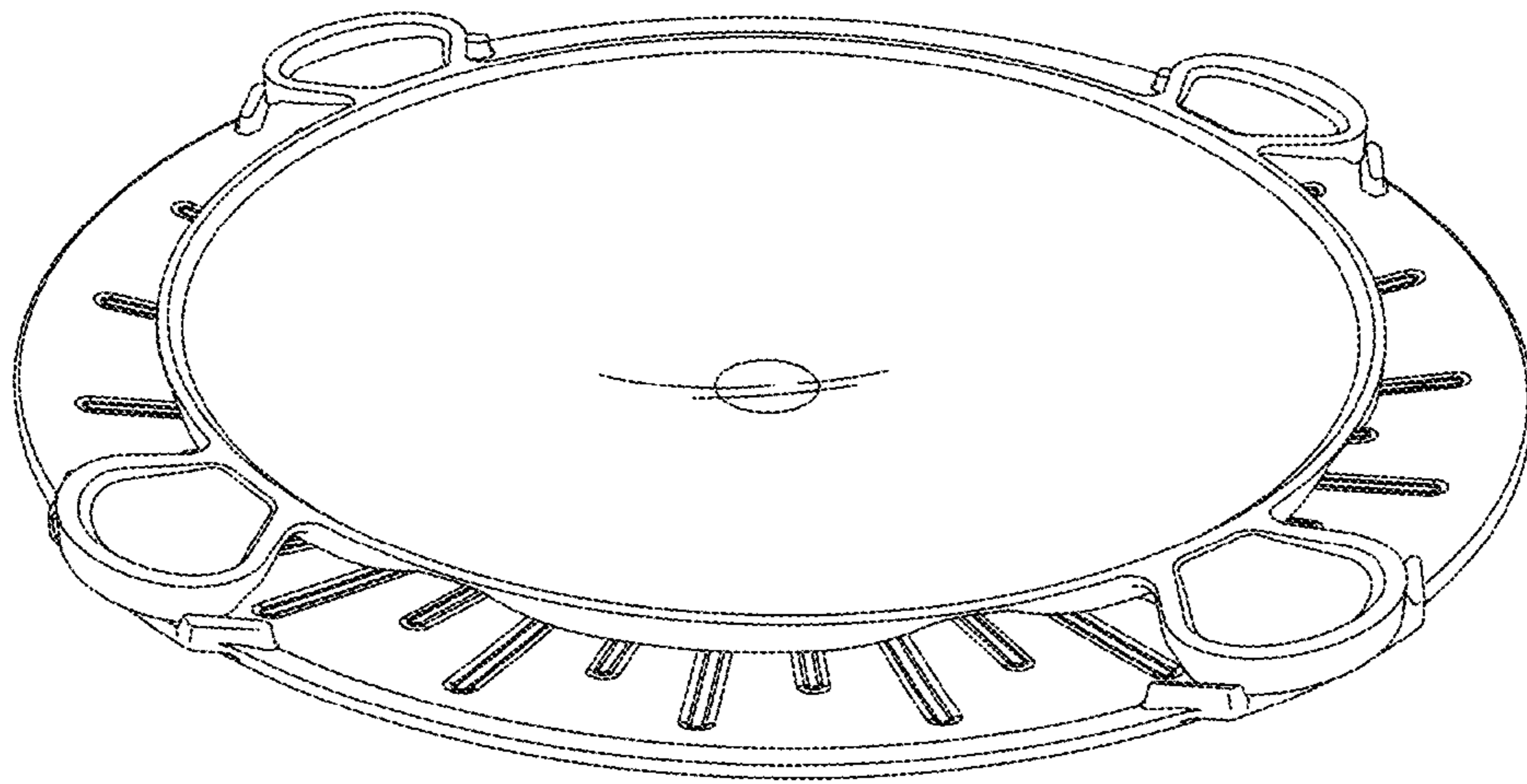


FIG. 2

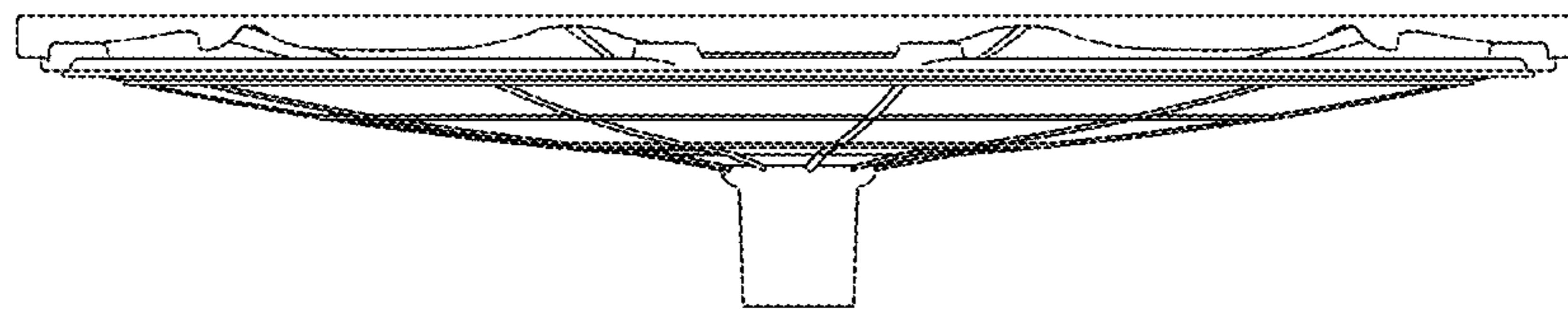


FIG. 3

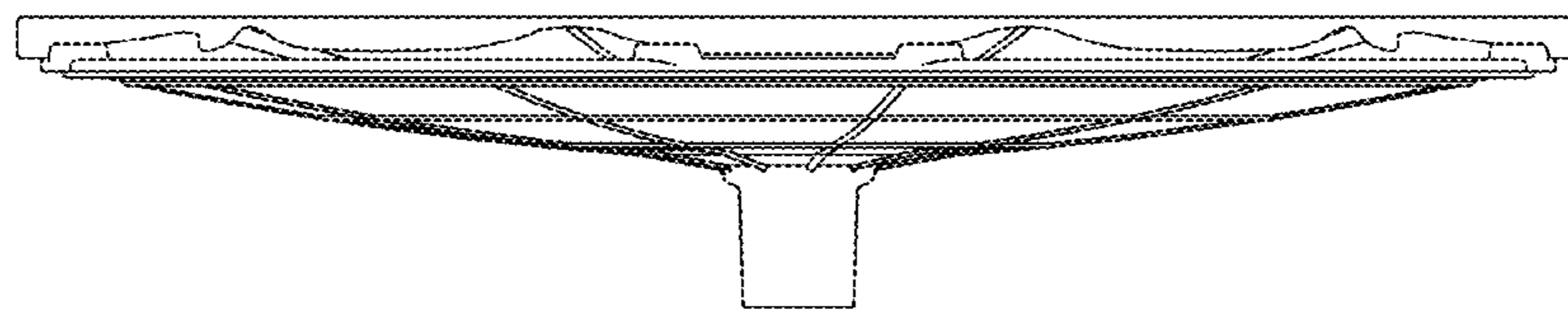


FIG. 4

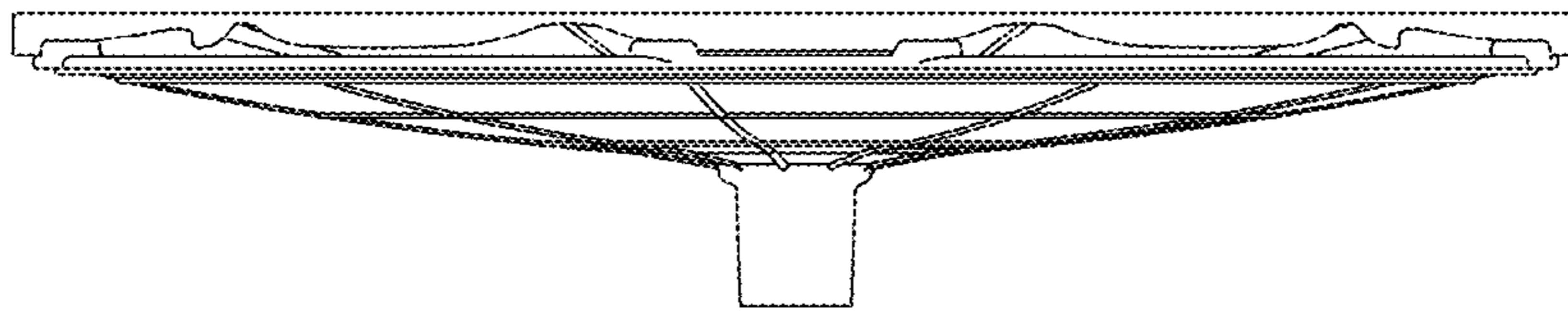


FIG. 5

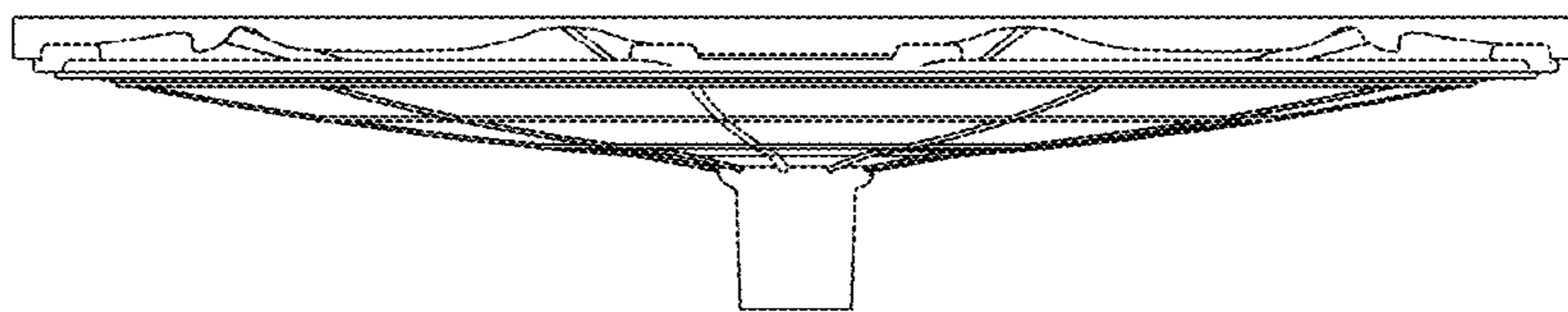


FIG. 6

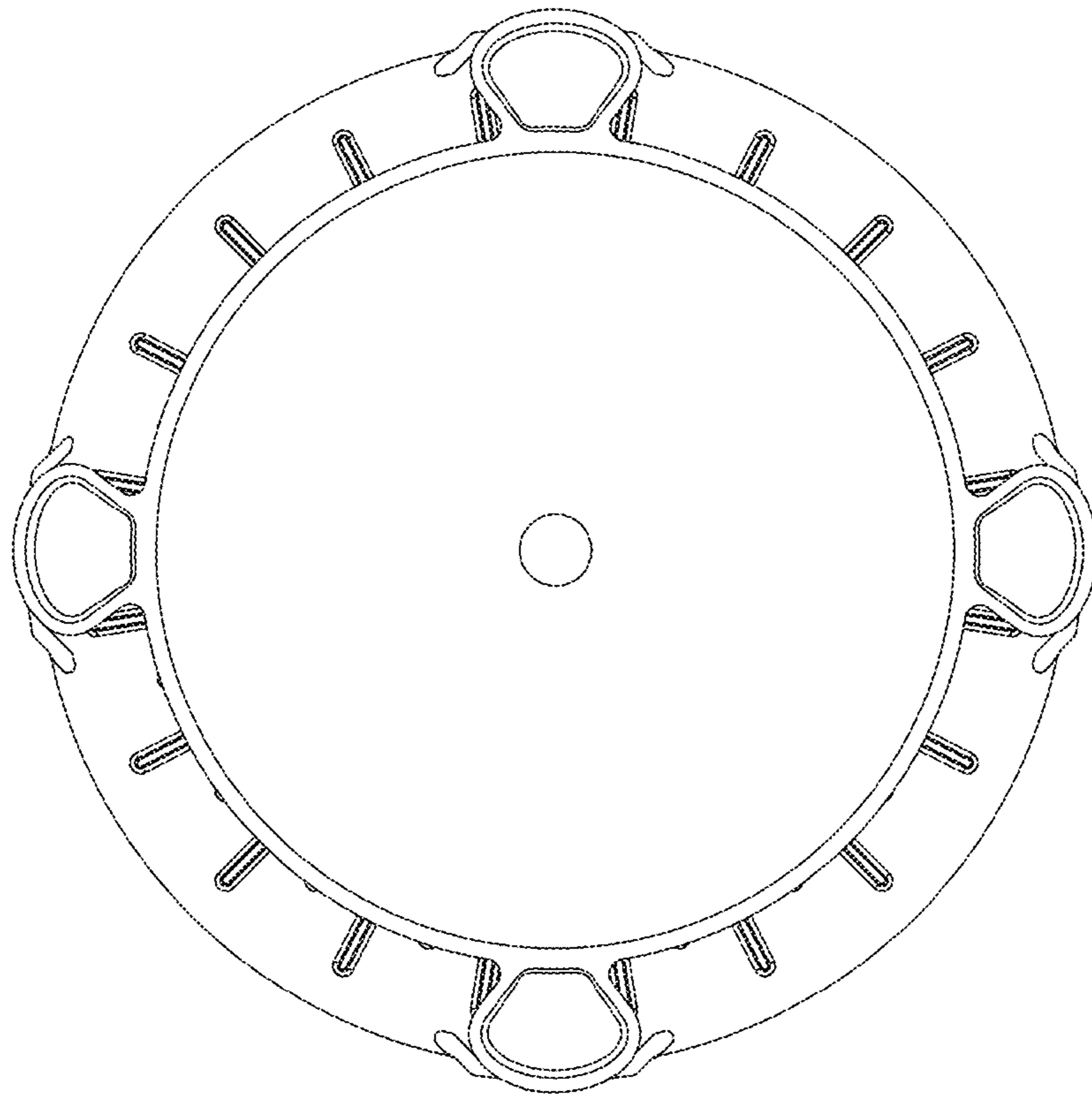


FIG. 7

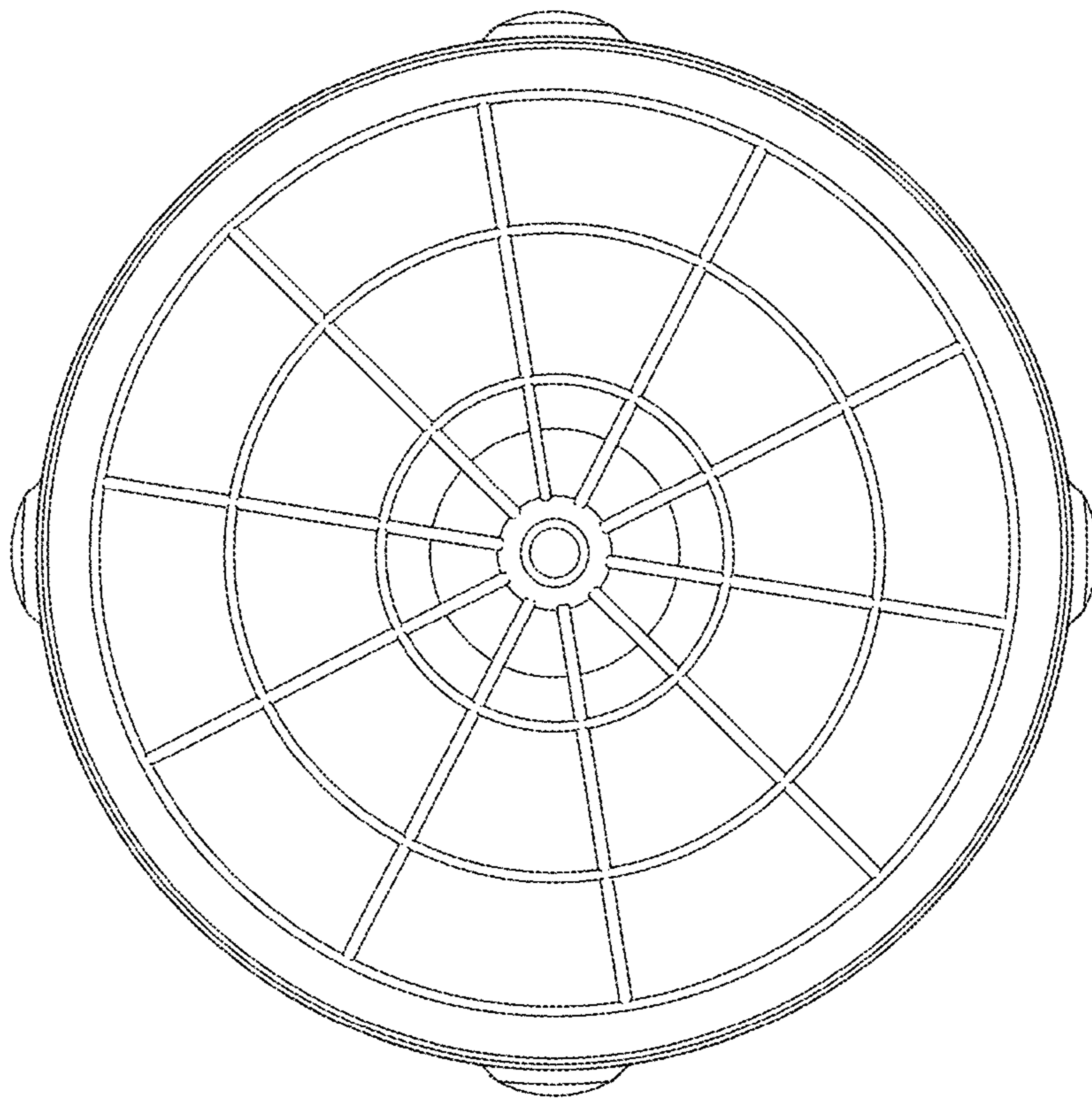


FIG. 8

