



US00D795002S

(12) **United States Design Patent**  
**Lee**

(10) **Patent No.:** **US D795,002 S**  
(45) **Date of Patent:** **\*\* Aug. 22, 2017**

(54) **COOKING PAN FOR USE IN HEATING COOKERS**

(71) Applicant: **Jin Hee Lee**, Seoul (KR)

(72) Inventor: **Jin Hee Lee**, Seoul (KR)

(\*\*) Term: **15 Years**

(21) Appl. No.: **29/558,067**

(22) Filed: **Mar. 15, 2016**

(30) **Foreign Application Priority Data**

Feb. 17, 2016 (KR) ..... 30-2016-0007197

(51) **LOC (10) Cl.** ..... **07-02**

(52) **U.S. Cl.**  
USPC ..... **D7/362; D7/352; D7/409**

(58) **Field of Classification Search**  
USPC ..... D7/323, 332, 335-337, 354-367,  
D7/387-388, 402, 407-409; D9/428  
CPC .... A21B 2/00; A21B 3/00; A21B 3/13; A21B  
3/15; A21B 5/00; A21B 5/02; A23N  
12/06; A23N 12/08; A23N 12/10; A47J  
27/004; A47J 36/34; A47J 37/00; A47J  
37/04; A47J 37/041; A47J 37/042; A47J  
37/06; A47J 37/0629; A47J 37/0688;  
A47J 37/0694; A47J 37/07; A47J  
37/0704; A47J 37/10; A47J 37/108; A47J  
47/20; A47J 2037/00; A47J 2037/06;  
A47J 2037/0611; A47J 2037/07; A47J  
2037/0786; A47J 2037/0795; F24C 15/10;  
F24C 15/12; F24C 15/14; F24C 15/16;  
F24C 15/164; F24C 15/18

See application file for complete search history.

(56) **References Cited**

**U.S. PATENT DOCUMENTS**

D252,008 S \* 6/1979 Jeambey ..... 426/243  
D264,036 S \* 4/1982 Pomroy ..... D7/359

5,970,858 A \* 10/1999 Boehm ..... A47J 37/0629  
99/400  
6,082,249 A \* 7/2000 Su ..... A47J 27/004  
99/340  
D440,490 S \* 4/2001 Lizzio ..... D9/428  
D621,650 S \* 8/2010 DeLeo ..... D7/354  
D653,904 S \* 2/2012 Lee ..... D7/362  
D661,542 S \* 6/2012 Lee ..... D7/362  
D678,712 S \* 3/2013 Mehler ..... D7/354  
D688,089 S \* 8/2013 Lee ..... D7/362  
D695,059 S \* 12/2013 Mehler ..... D7/354  
D696,548 S \* 12/2013 Weskamp ..... D7/354  
D730,680 S \* 6/2015 Palermo ..... D7/367  
9,055,842 B2 \* 6/2015 Kim ..... A47J 36/34

(Continued)

*Primary Examiner* — Ricky Pham

(74) *Attorney, Agent, or Firm* — Kile Park Reed & Houtteman PLLC

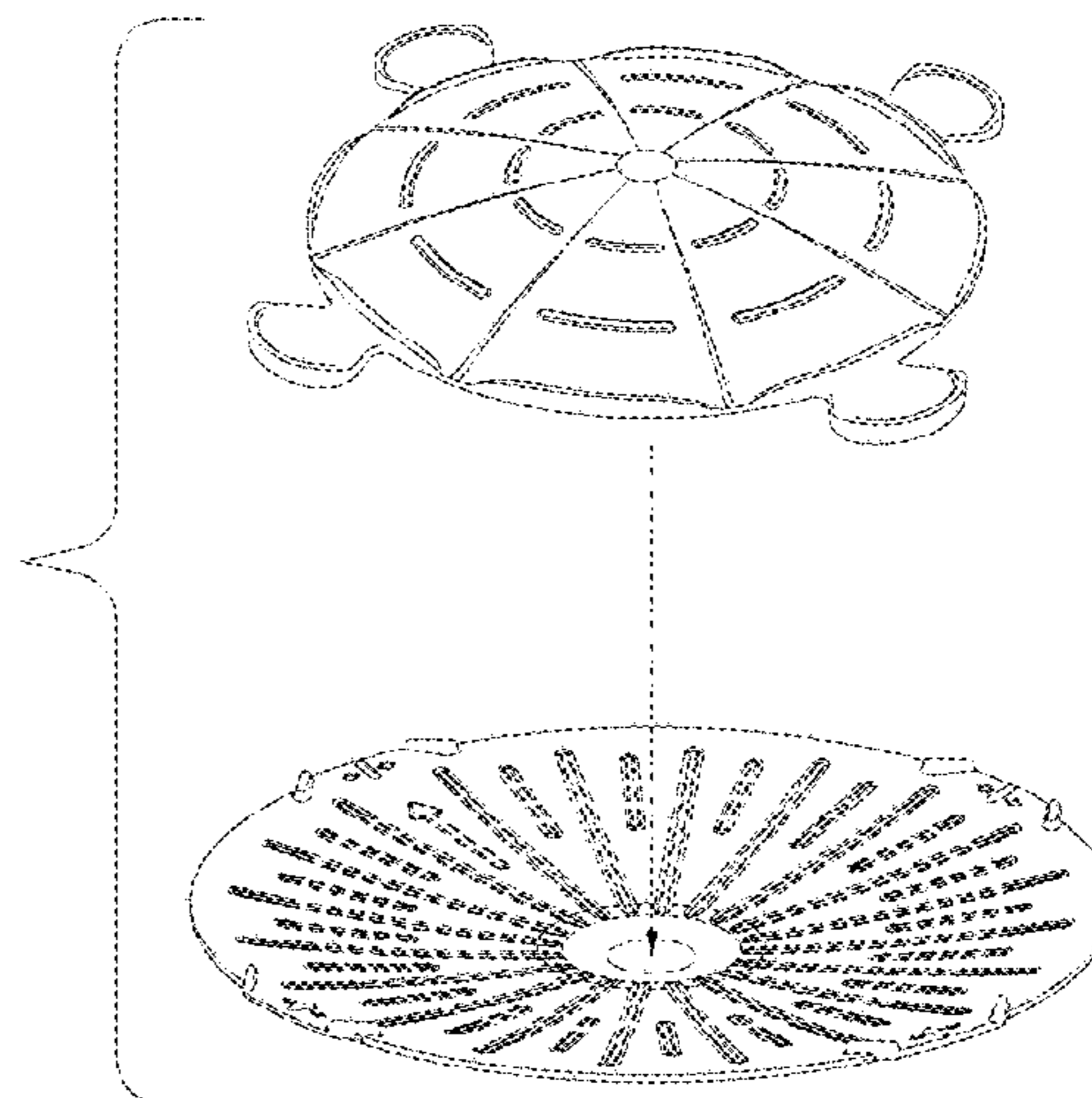
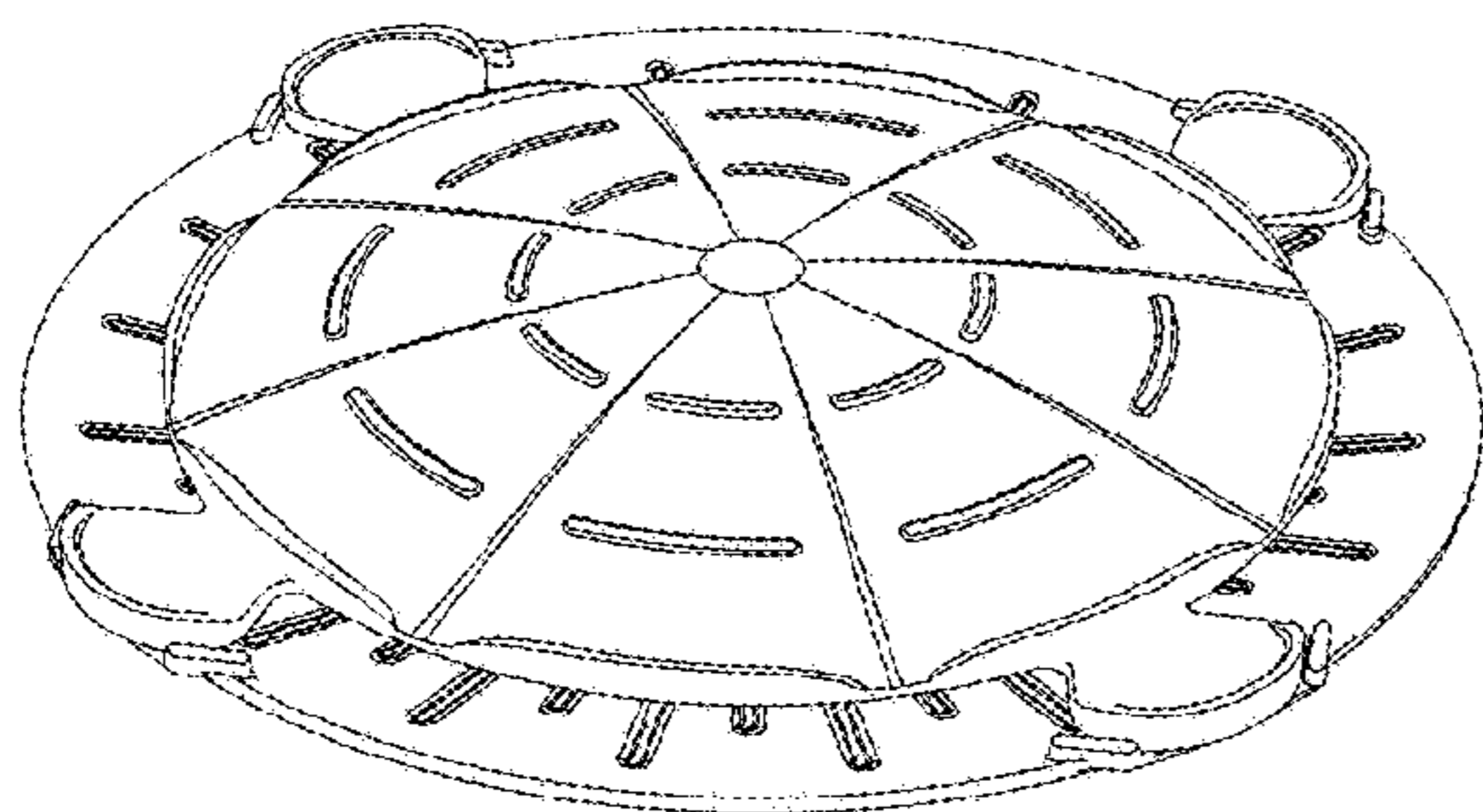
(57) **CLAIM**

I claim, the ornamental design for a cooking pan for use in heating cookers, as shown and described.

**DESCRIPTION**

FIG. 1 is a top and front perspective view of a cooking pan for use in heating cookers, showing my new design; FIG. 2 is a front elevational view thereof; FIG. 3 is a rear elevational view thereof; FIG. 4 is a left side elevational view thereof; FIG. 5 is a right side elevational view thereof; FIG. 6 is a top plan view thereof; FIG. 7 is a bottom plan view thereof; and, FIG. 8 is an exploded reference perspective view showing how an upper cooking pan and a lower cooking pan of the cooking pan for use in heating cookers are assembled with and disassembled from each other in the arrow direction. The broken lines of FIG. 8 are shown for the purpose of illustrating parts of the cooking pan for use in heating cookers and form no part of the claimed design.

**1 Claim, 6 Drawing Sheets**



(56)

References Cited

U.S. PATENT DOCUMENTS

D743,733 S \* 11/2015 Lee ..... D7/362  
D743,734 S \* 11/2015 Lee ..... D7/362  
D749,906 S \* 2/2016 Lee ..... D7/362  
D764,859 S \* 8/2016 Lee ..... D7/352  
D764,860 S \* 8/2016 Lee ..... D7/352  
D764,861 S \* 8/2016 Lee ..... D7/352  
D764,862 S \* 8/2016 Lee ..... D7/352  
D768,428 S \* 10/2016 Lee ..... D7/352  
D768,429 S \* 10/2016 Lee ..... D7/352  
D768,430 S \* 10/2016 Lee ..... D7/352  
D768,431 S \* 10/2016 Lee ..... D7/352  
D768,432 S \* 10/2016 Lee ..... D7/352  
D769,049 S \* 10/2016 Lee ..... D7/352  
D769,050 S \* 10/2016 Lee ..... D7/352  
D769,051 S \* 10/2016 Lee ..... D7/352  
D769,052 S \* 10/2016 Lee ..... D7/352  
D769,053 S \* 10/2016 Lee ..... D7/352  
D769,054 S \* 10/2016 Lee ..... D7/352  
D769,056 S \* 10/2016 Lee ..... D7/352  
D769,057 S \* 10/2016 Lee ..... D7/352  
D769,058 S \* 10/2016 Lee ..... D7/352  
D769,059 S \* 10/2016 Lee ..... D7/352  
D770,221 S \* 11/2016 Lee ..... D7/352  
D772,648 S \* 11/2016 Palermo ..... D7/367  
2009/0095168 A1 \* 4/2009 Shu ..... A47J 37/108  
99/425

\* cited by examiner

FIG. 1

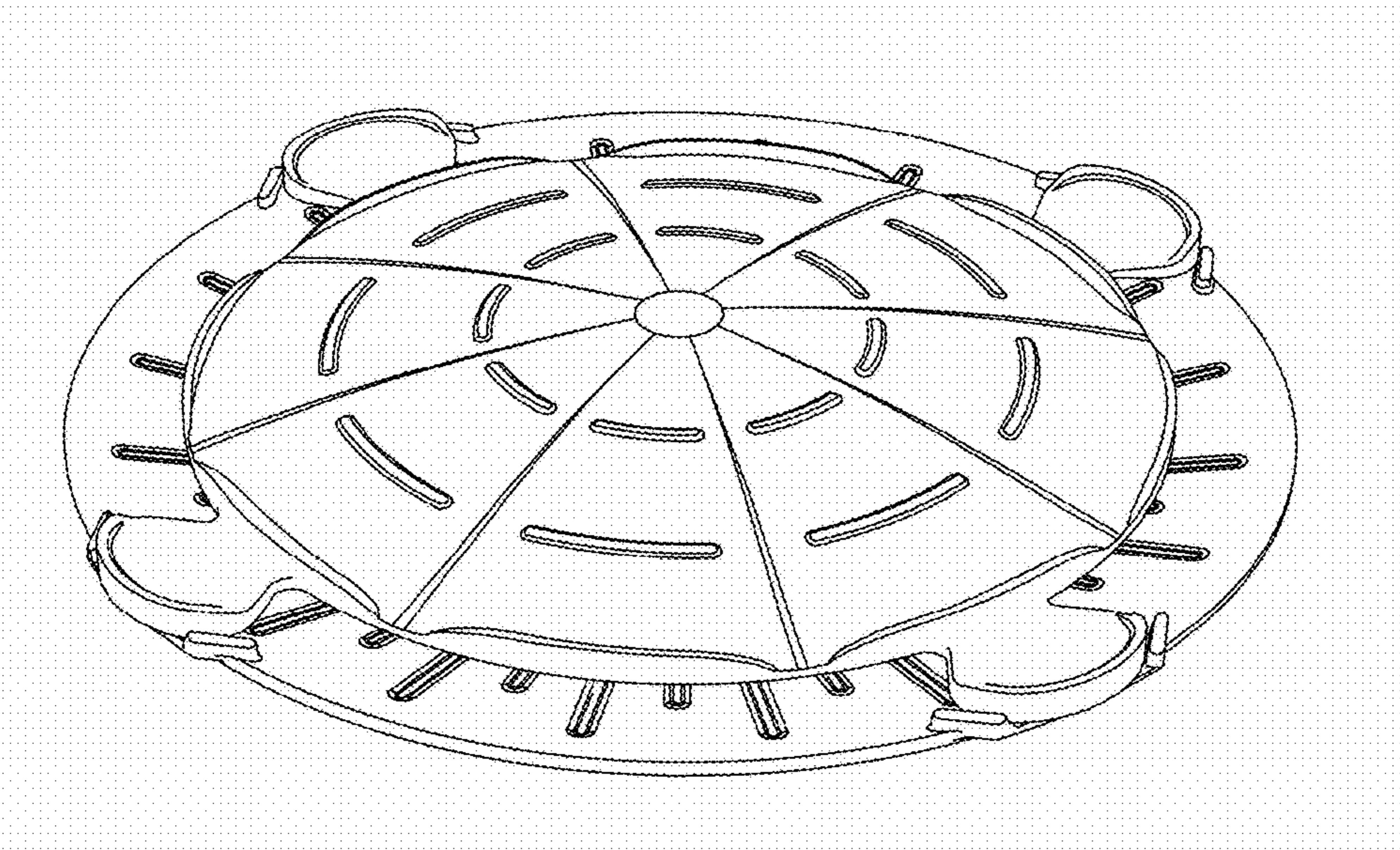


FIG. 2

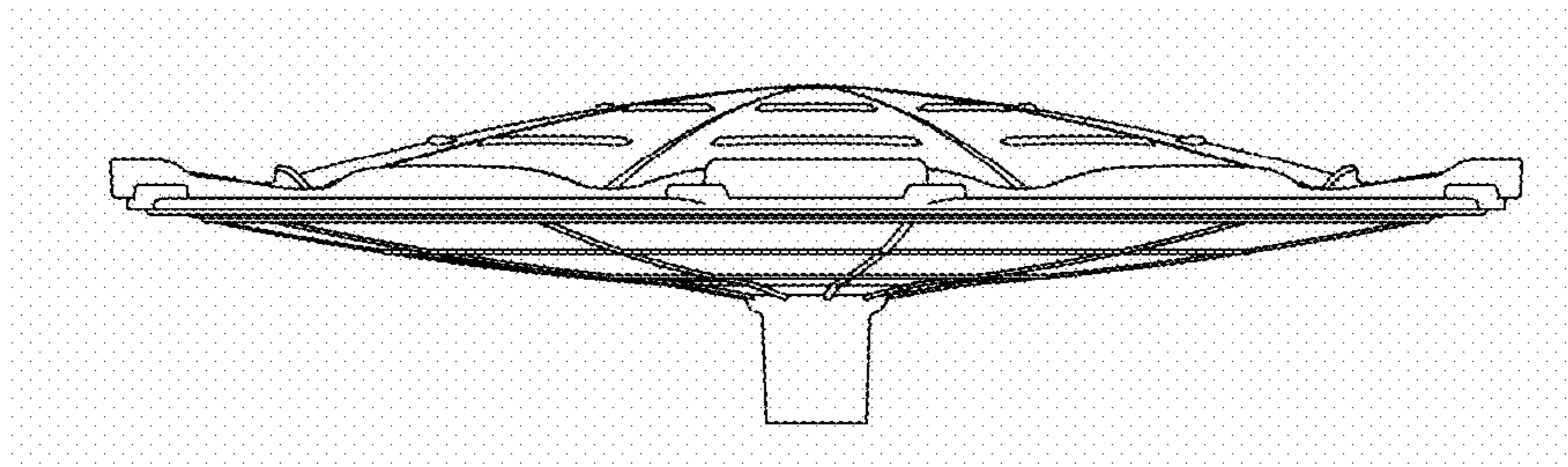


FIG. 3

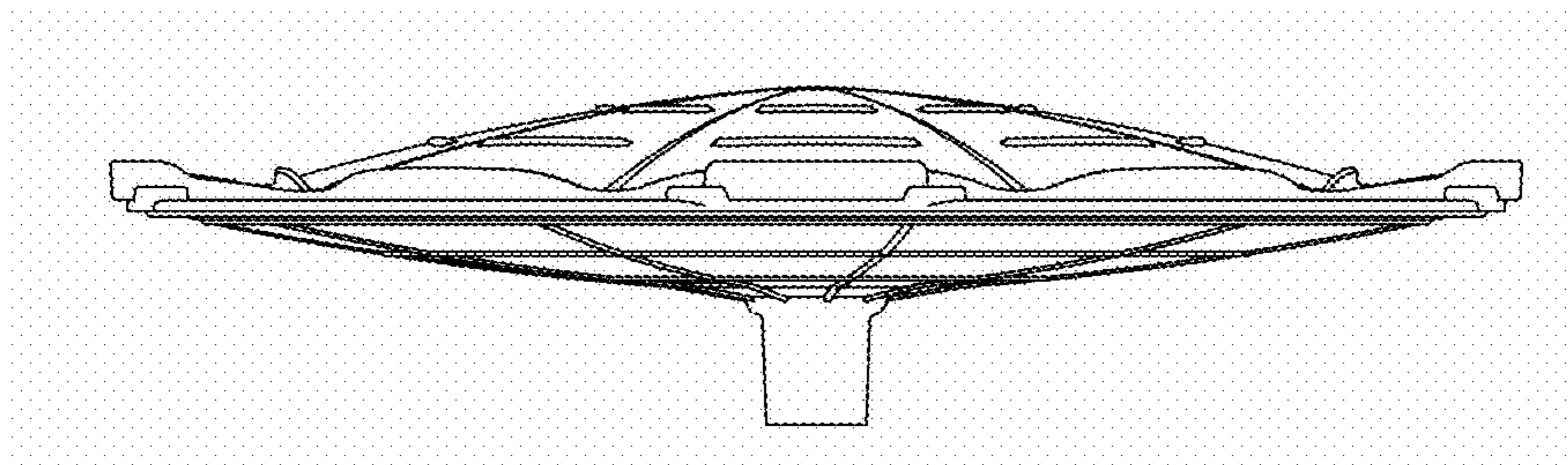


FIG. 4

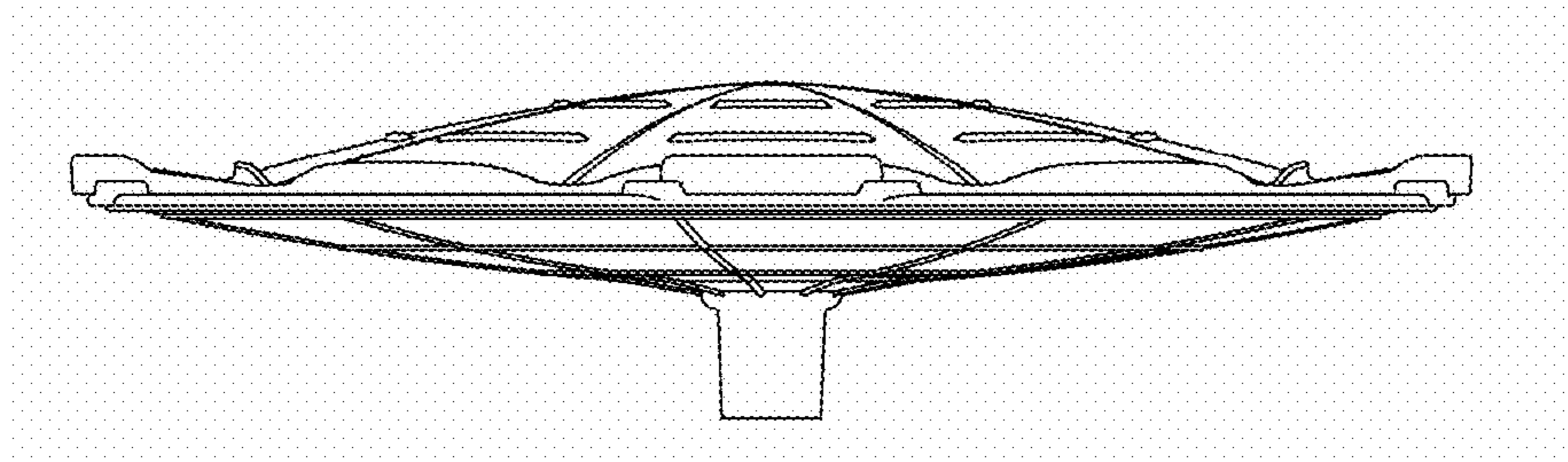


FIG. 5

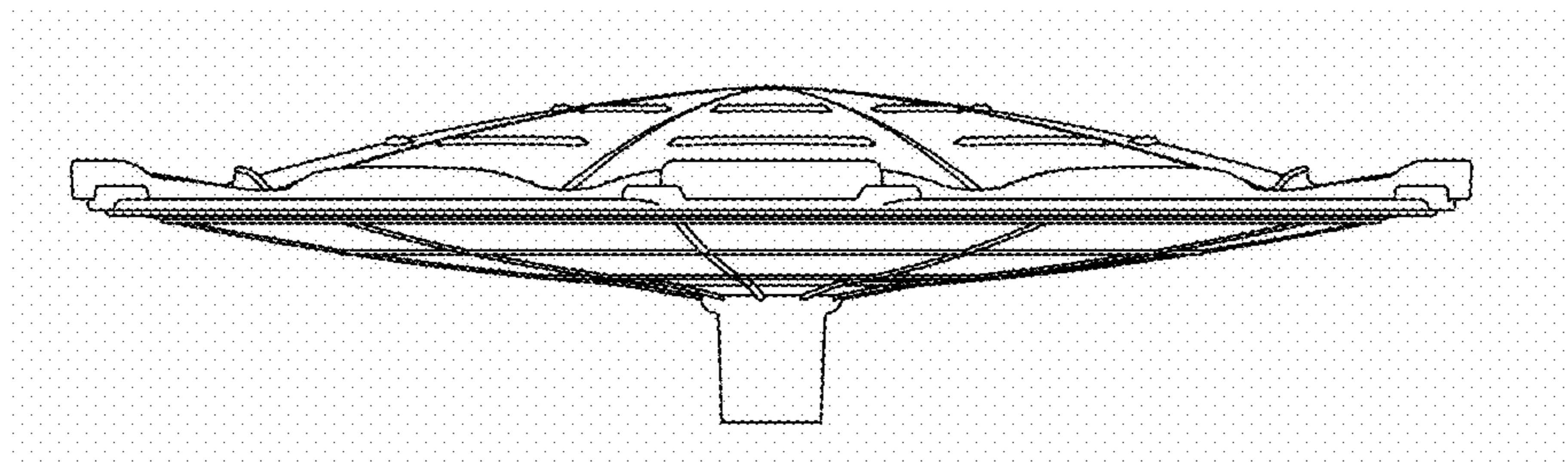


FIG. 6

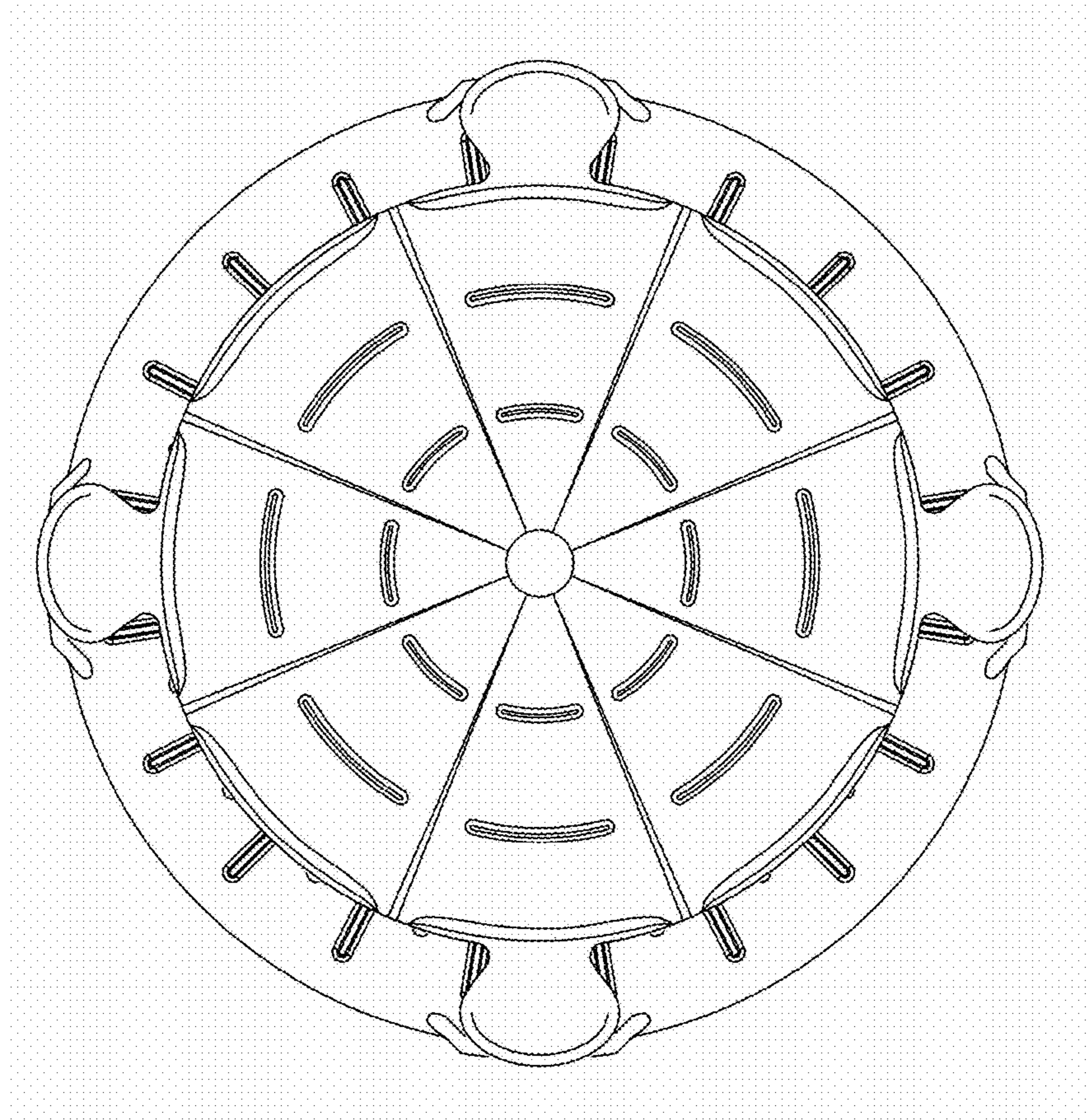


FIG. 7

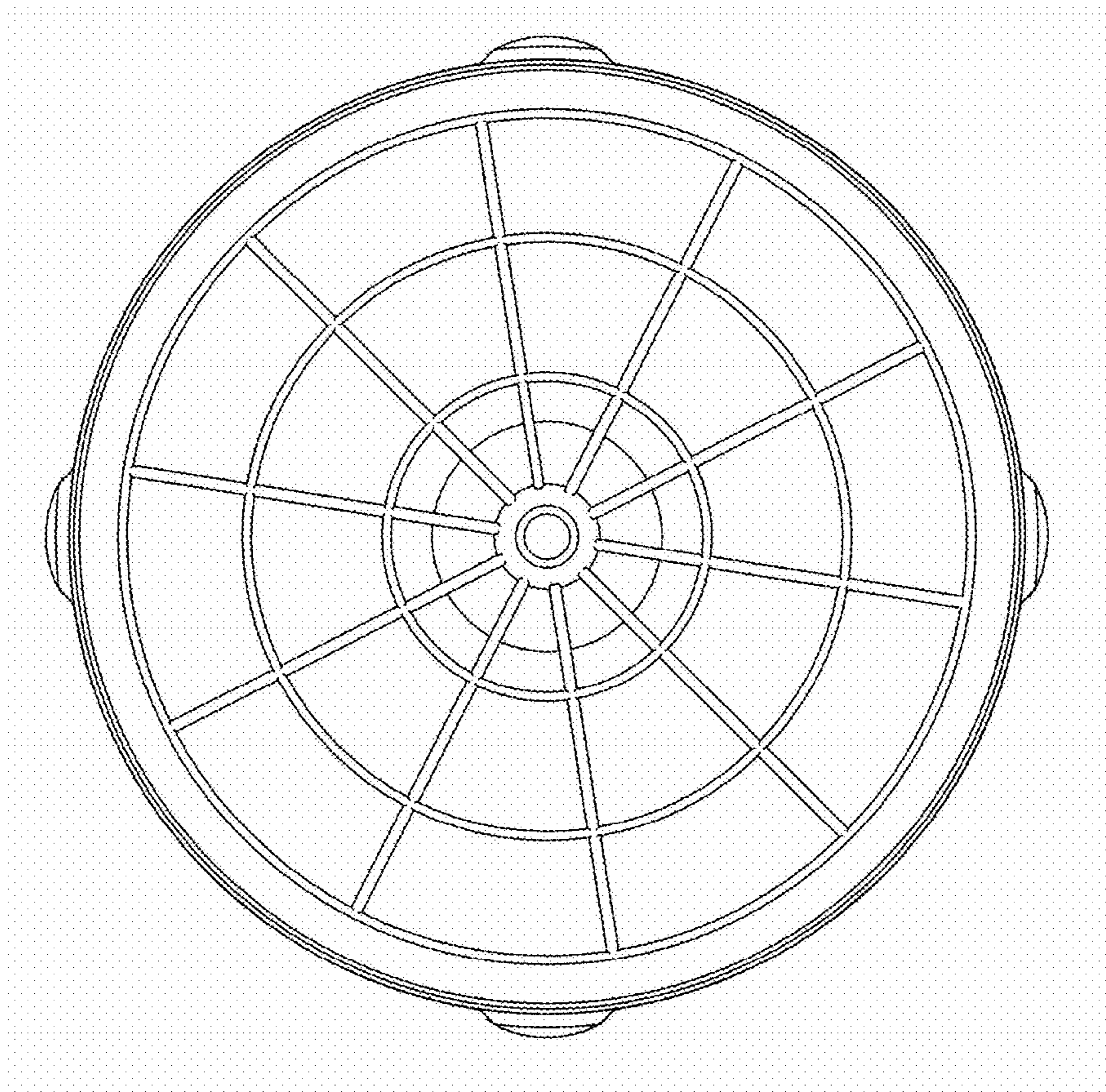


FIG. 8

