



US00D795001S

(12) **United States Design Patent**
Lee

(10) **Patent No.:** **US D795,001 S**

(45) **Date of Patent:** **** Aug. 22, 2017**

(54) **MULTI-PURPOSE TWO-WAY HEATING COOKER**

(71) Applicant: **Jin Hee Lee**, Seoul (KR)

(72) Inventor: **Jin Hee Lee**, Seoul (KR)

(**) Term: **14 Years**

(21) Appl. No.: **29/526,216**

(22) Filed: **May 7, 2015**

(30) **Foreign Application Priority Data**

Dec. 4, 2014 (KR) 30-2014-0058981

(51) **LOC (10) Cl.** **07-02**

(52) **U.S. Cl.**
USPC **D7/362**

(58) **Field of Classification Search**
USPC D7/323, 337, 339, 341, 352, 354-355,
D7/362-367, 409-411
CPC A21B 1/06; A21B 1/50; A21B 1/52; A47J
36/2483; A47J 37/04; A47J 37/06; A47J
37/015; A47J 37/067; A47J 37/0611;
A47J 37/0629; A47J 37/0676; A47J
37/0688; F24C 7/06; F24C 7/083; F24C
15/02; F24C 15/166; H05B 3/20; H05B
3/40

See application file for complete search history.

(56) **References Cited**

U.S. PATENT DOCUMENTS

D195,754 S * 7/1963 Rawson, Jr. D7/350.4
D340,615 S * 10/1993 Guerrier D7/365
5,367,950 A * 11/1994 Sarich A47J 37/0688
99/421 H

6,261,621 B1 * 7/2001 Stanger A47J 36/2483
219/214
D458,078 S * 6/2002 Lin D7/362
D638,253 S * 5/2011 Tomczyk D7/323
D653,904 S * 2/2012 Lee D7/362
D710,144 S * 8/2014 Lee D7/362
D758,784 S * 6/2016 Hunt D7/352

* cited by examiner

Primary Examiner — Ricky Pham

(74) *Attorney, Agent, or Firm* — Kile Park Reed & Houtteman PLLC

(57) **CLAIM**

I claim, the ornamental design for a multi-purpose two-way heating cooker, as shown and described.

DESCRIPTION

FIG. 1 is a top and front perspective view of a multi-purpose two-way heating cooker, showing my new design;
FIG. 2 is a front view thereof;
FIG. 3 is a rear view thereof;
FIG. 4 is a left side view thereof;
FIG. 5 is a right side view thereof;
FIG. 6 is a top plan view thereof;
FIG. 7 is a bottom plan view thereof;
FIG. 8 is a reference perspective view showing how two infrared lamps of the multi-purpose two-way heating cooker are moved and fixed to a lower side of a cooking pan; and,
FIG. 9 is a reference top plan view showing how the two infrared lamps are moved and fixed to the lower side of the cooking pan.

The broken lines shown in the figures are for illustrative purposes only and form no part of the claimed design.

1 Claim, 9 Drawing Sheets

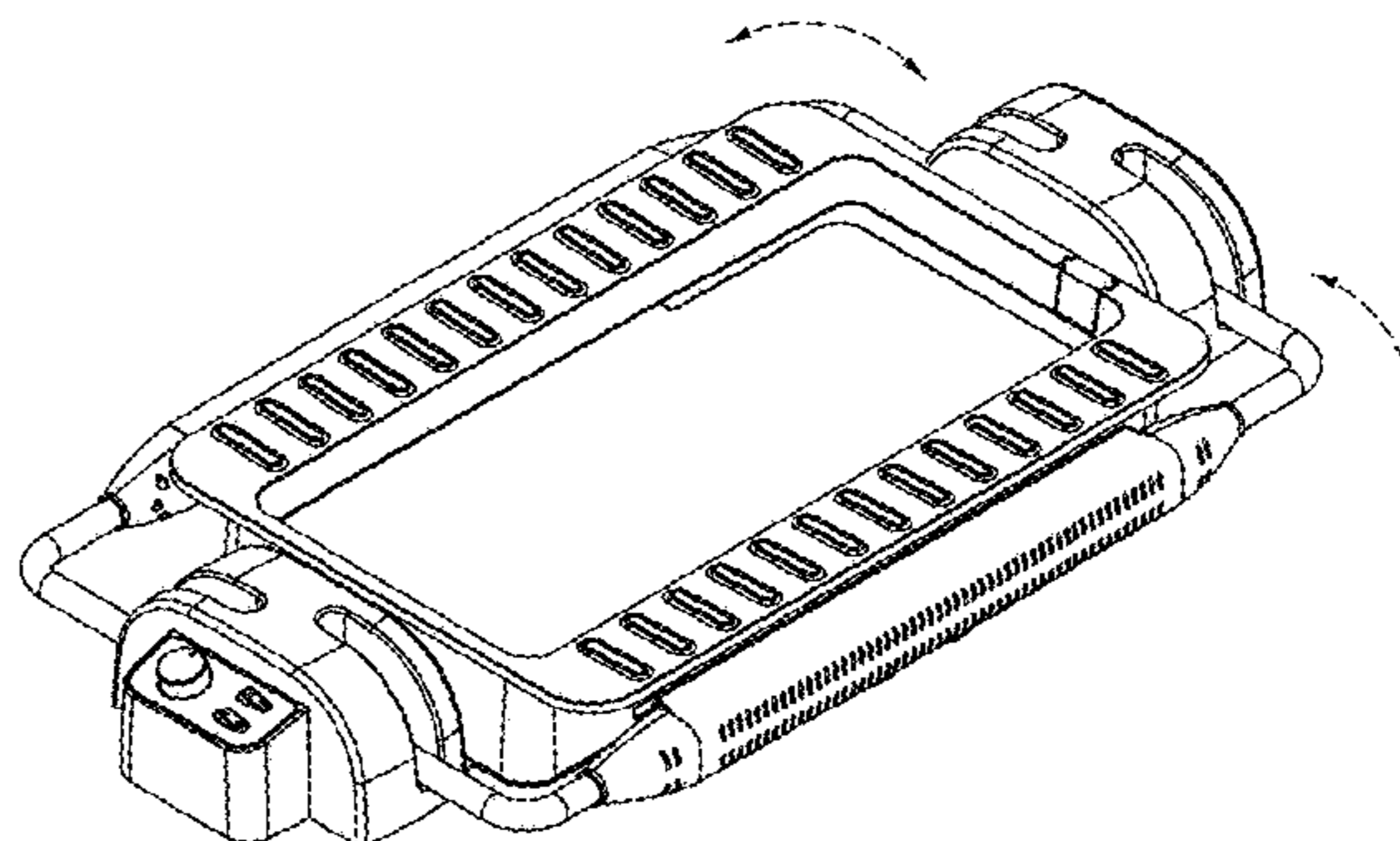
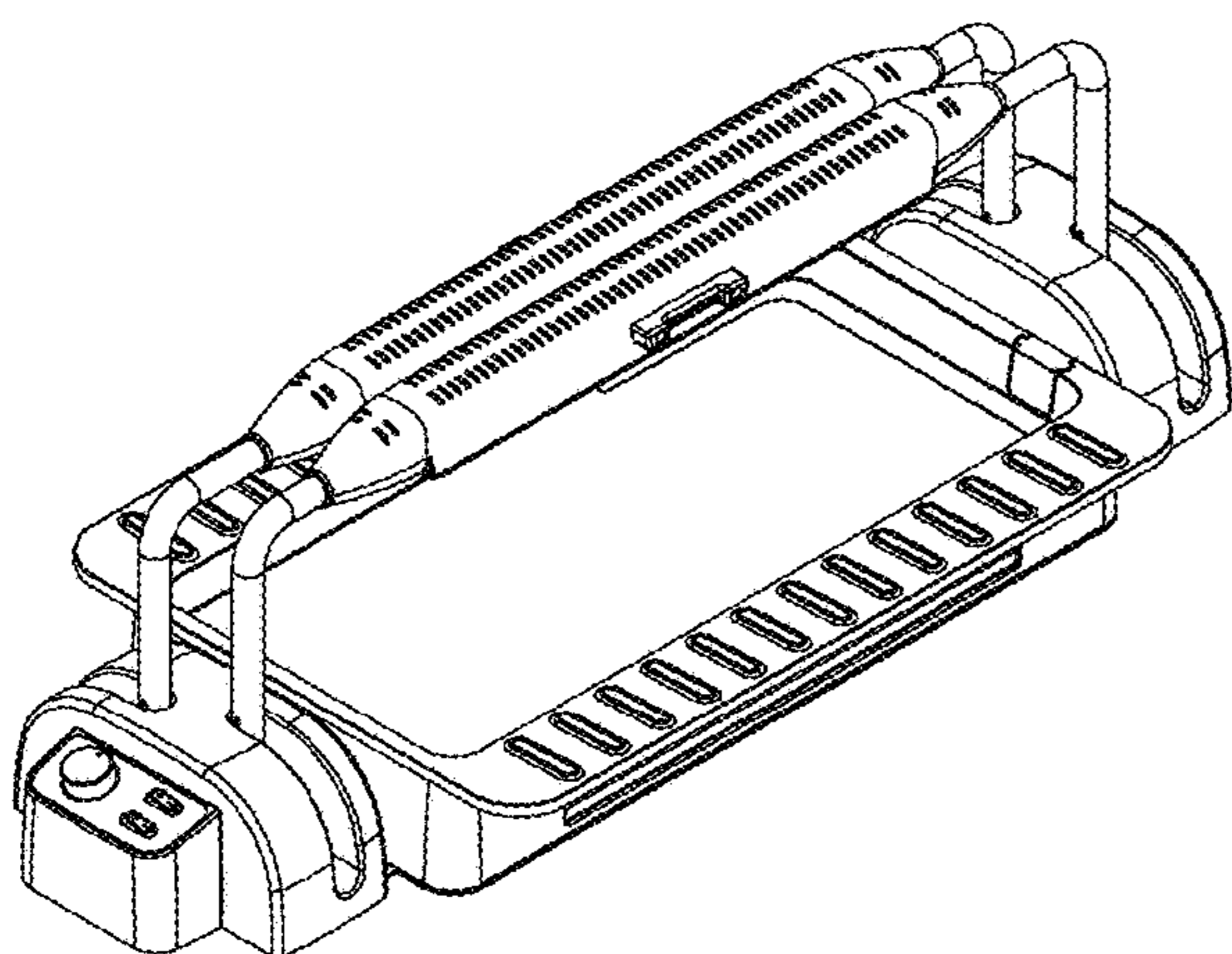


FIG. 1

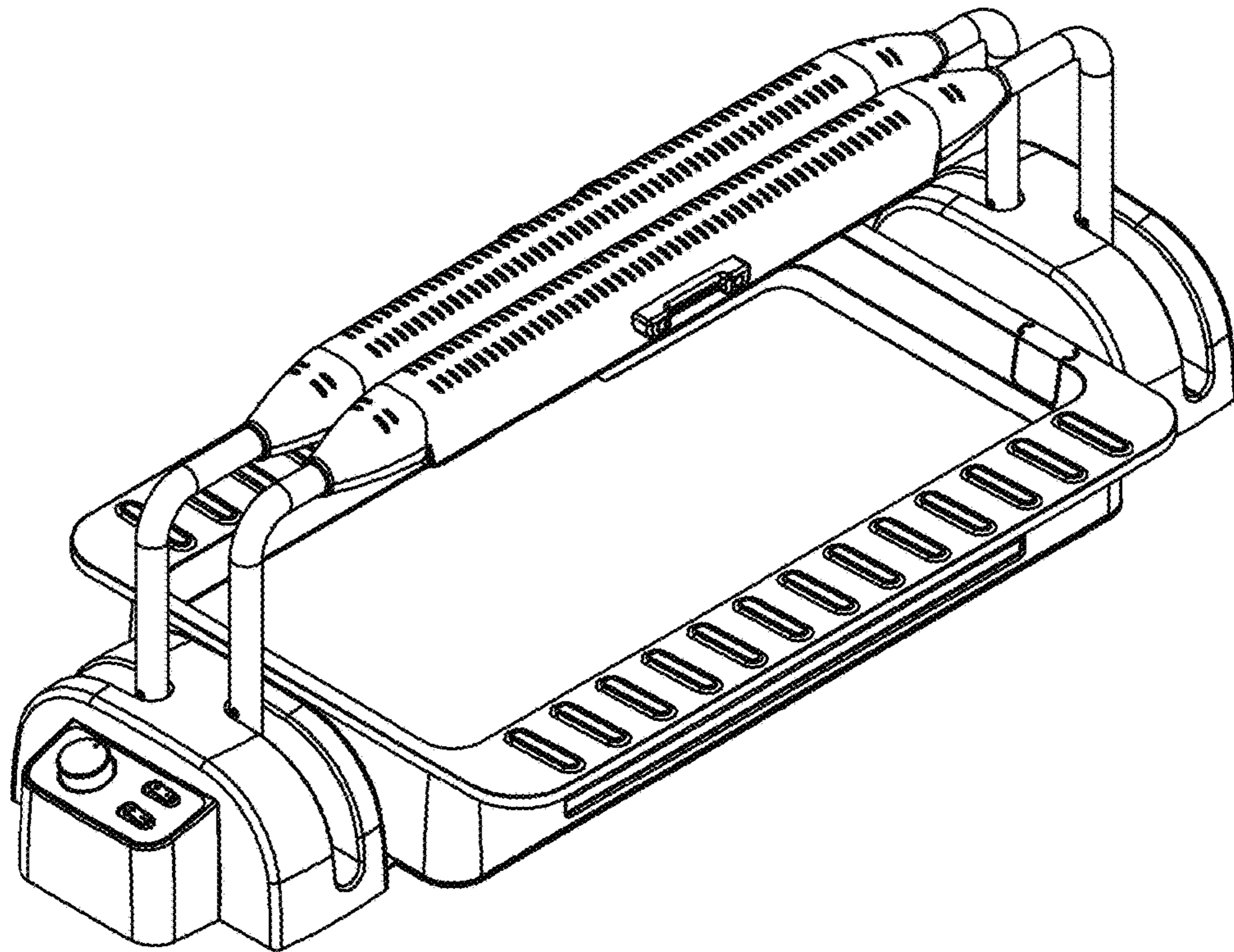


FIG. 2

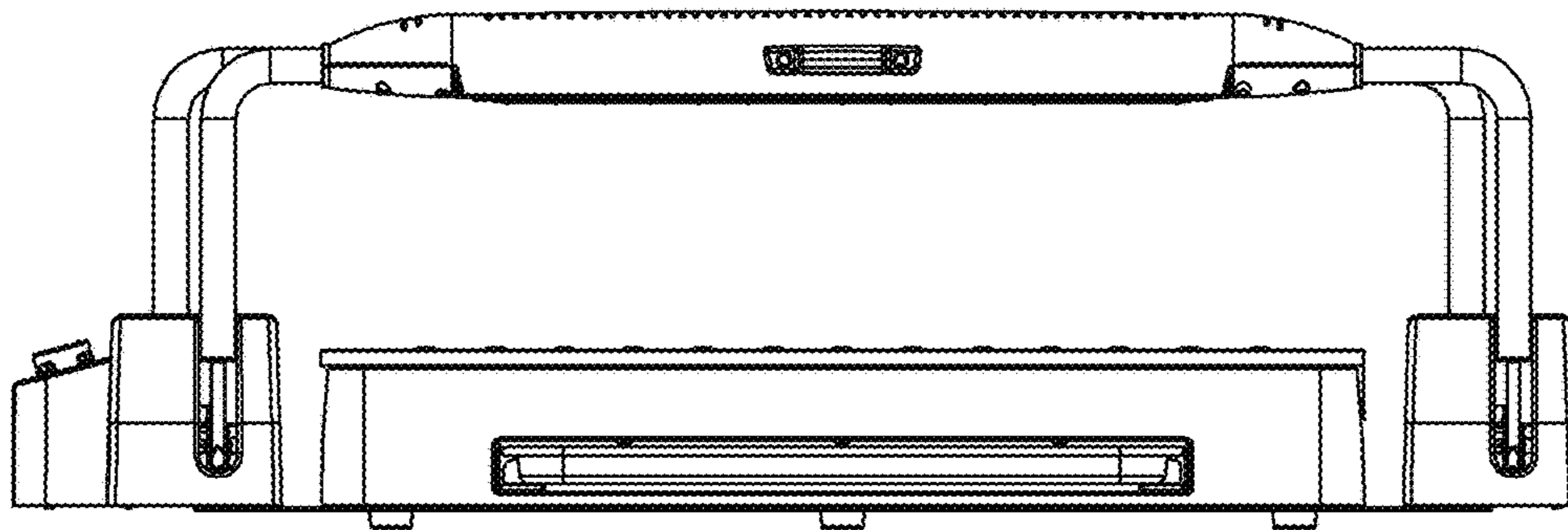


FIG. 3

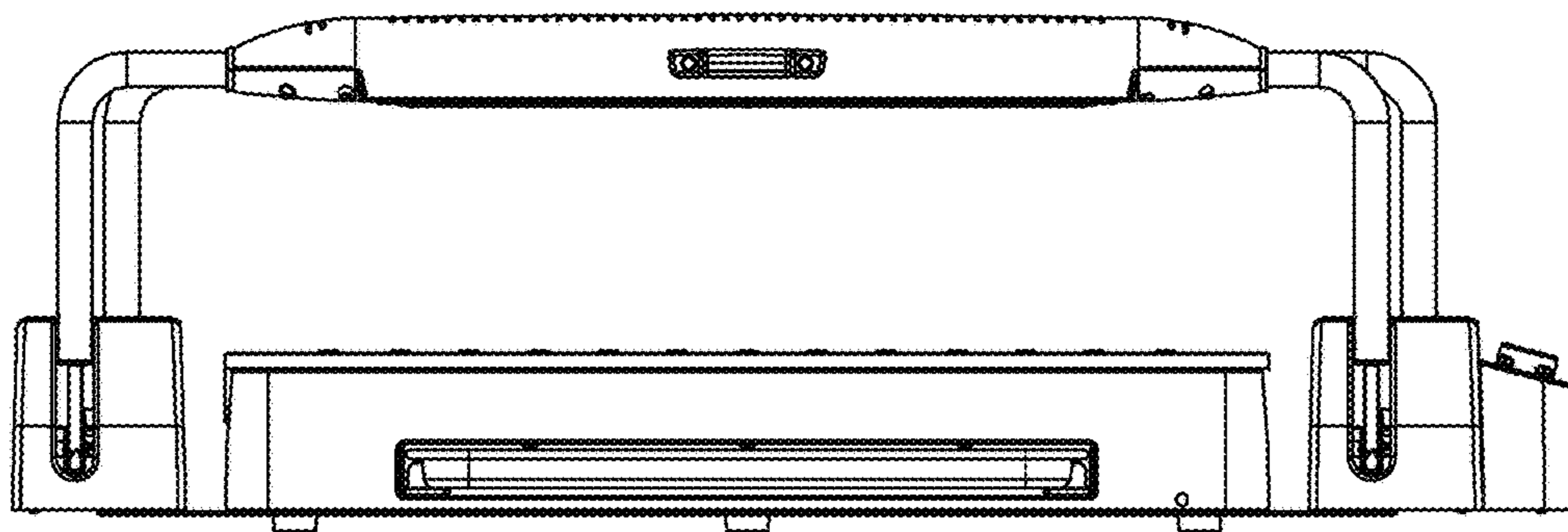


FIG. 4

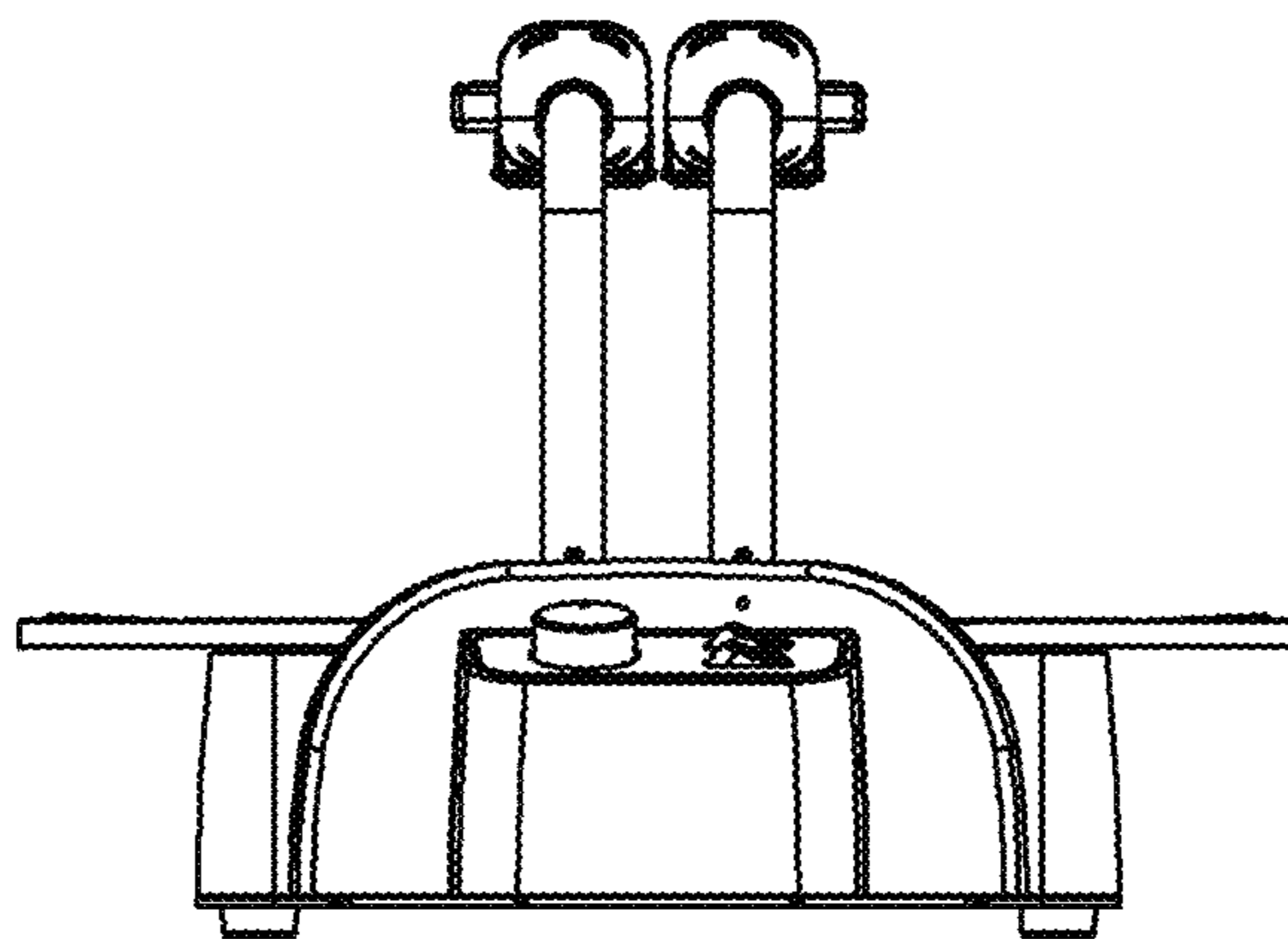


FIG. 5

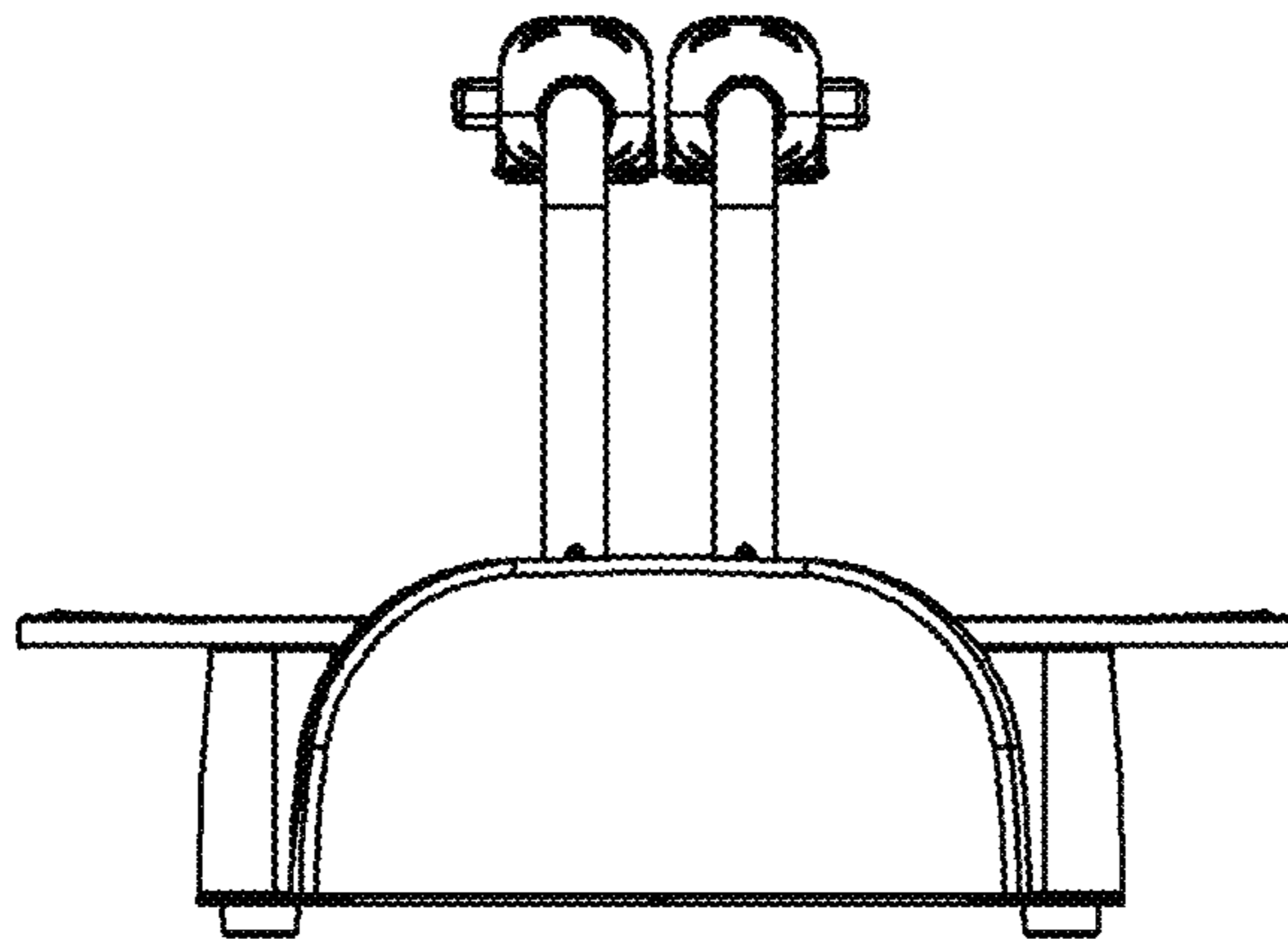


FIG. 6

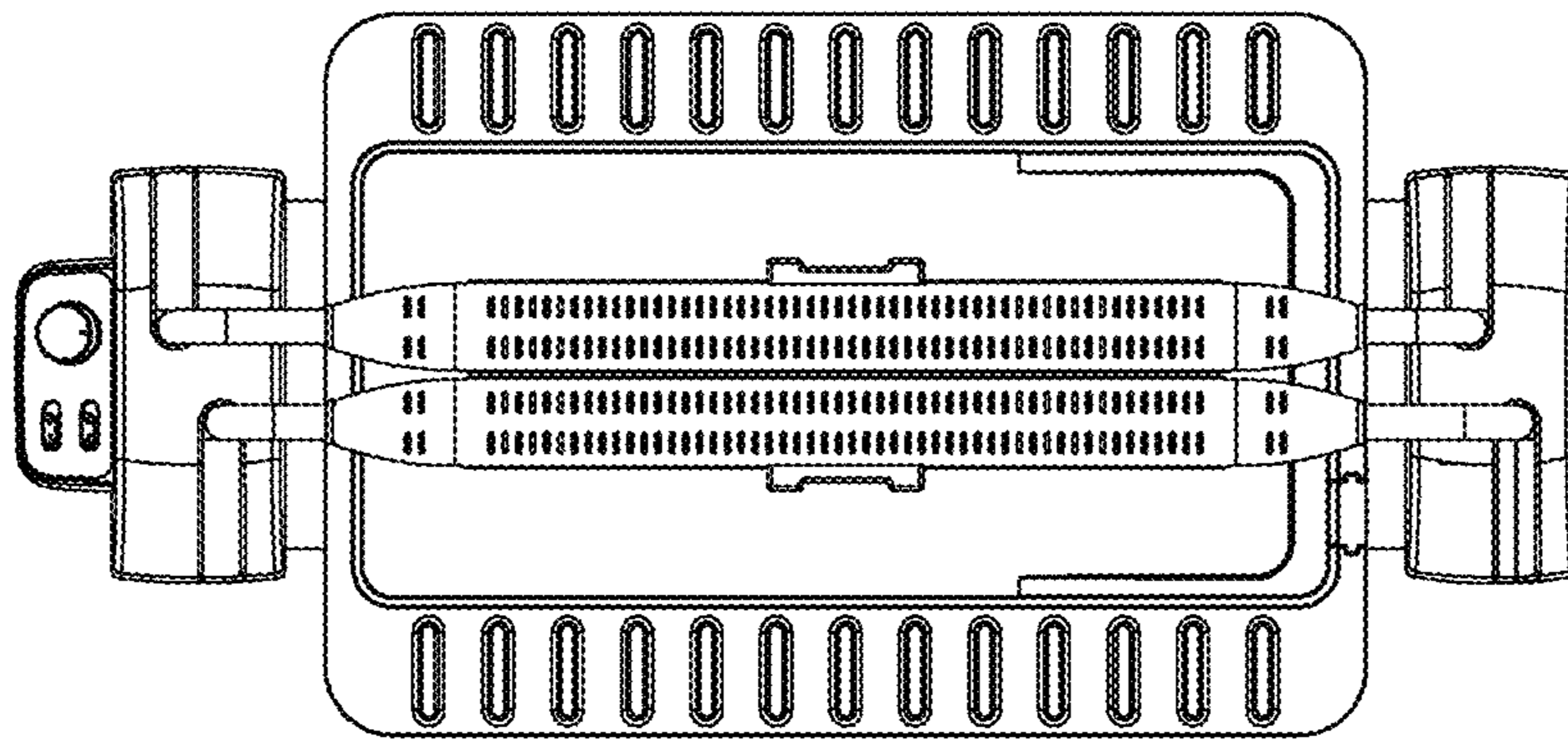


FIG. 7

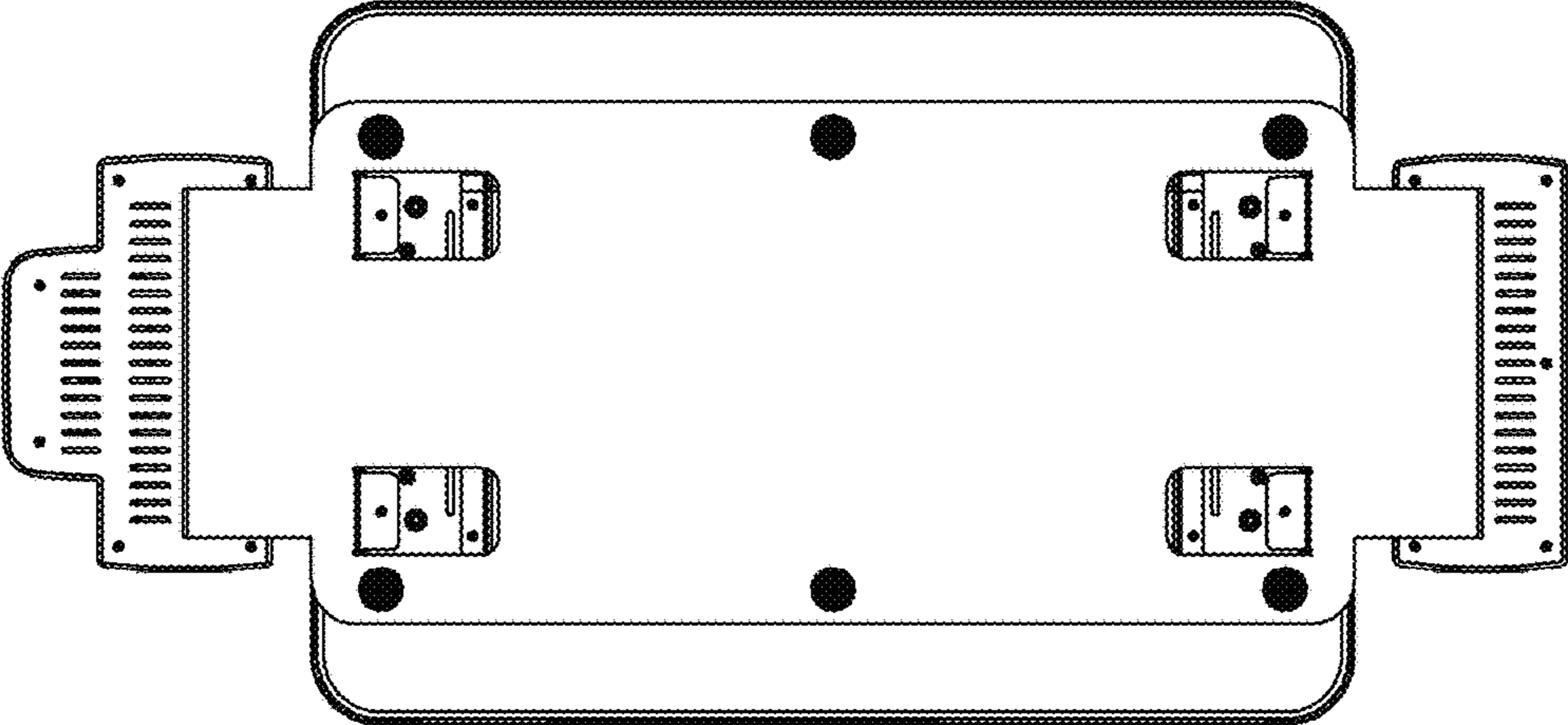


FIG. 8

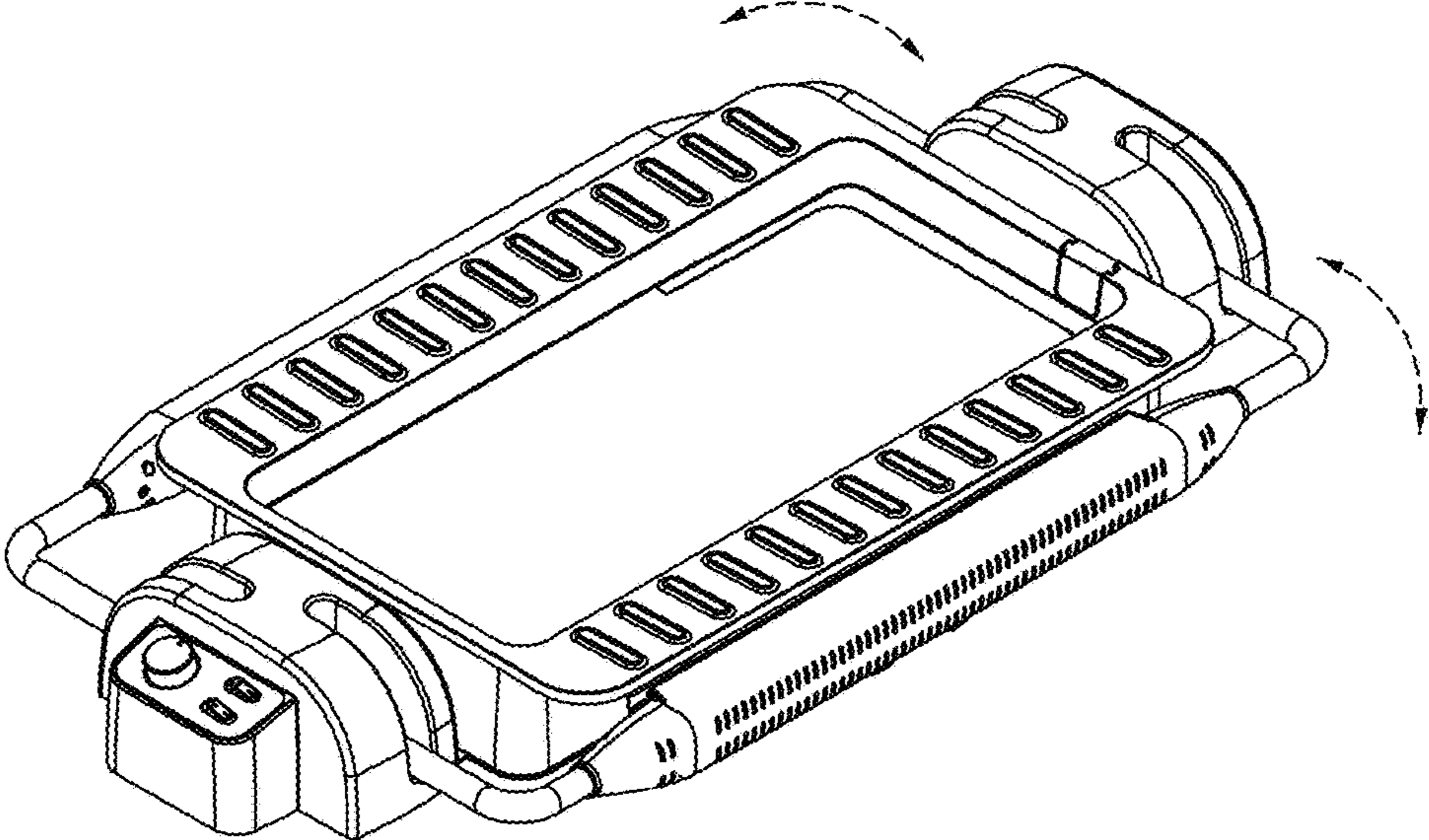


FIG. 9

