



US00D794997S

(12) **United States Design Patent**
Chung

(10) **Patent No.:** **US D794,997 S**

(45) **Date of Patent:** **** Aug. 22, 2017**

- (54) **BARBECUE GRILL**
- (71) Applicant: **Shu-Jui Chung**, Taichung (TW)
- (72) Inventor: **Shu-Jui Chung**, Taichung (TW)
- (**) Term: **15 Years**
- (21) Appl. No.: **29/548,520**
- (22) Filed: **Dec. 15, 2015**
- (51) **LOC (10) Cl.** **07-02**
- (52) **U.S. Cl.**
USPC **D7/334**
- (58) **Field of Classification Search**
USPC D7/213, 323, 324, 329, 330, 332, 334,
D7/337, 339, 340, 346, 347, 362, 367
CPC G05D 7/00; F24F 13/07; F24C 5/00; F24C
5/20; F24C 3/00; F24C 3/10; F24C 3/12;
F24C 15/06; F24C 15/10; F24C 15/16;
F24C 15/20; F24B 3/00; F23N 5/22;
B60H 3/00; B32B 15/04; A62C 3/00;
A47J 37/00; A47J 37/04; A47J 37/06;
A47J 37/07
See application file for complete search history.

D697,357 S *	1/2014	Goecke	D7/334
D712,191 S *	9/2014	Chung	D7/334
D717,097 S *	11/2014	Lin	D7/334
D722,809 S *	2/2015	Chung	D7/334
D722,810 S *	2/2015	Chung	D7/334
D723,321 S *	3/2015	Chung	D7/334
D723,860 S *	3/2015	Chung	D7/334
D726,491 S *	4/2015	Witzel	D7/334
D731,843 S *	6/2015	Chung	D7/334
D732,874 S *	6/2015	Chung	D7/334
D736,026 S *	8/2015	Kam	D7/334
D737,092 S *	8/2015	Lin	D7/334
D744,775 S *	12/2015	Yang	D7/334
D747,909 S *	1/2016	Simms, II	D7/332
D748,423 S *	2/2016	Chiang	D7/334
D753,430 S *	4/2016	Wagner	D7/334
D769,667 S *	10/2016	Ting	D7/332
D773,229 S *	12/2016	Jaggard	D7/334
D773,879 S *	12/2016	Magee	D7/334
D776,476 S *	1/2017	Euwer	D7/334
2008/0121118 A1 *	5/2008	Sikes	A47J 37/07 99/447

(Continued)

Primary Examiner — Manpreet Matharu
Assistant Examiner — Suzanne Tisdell

(57) **CLAIM**

I claim the ornamental design for a barbecue grill, as shown and described.

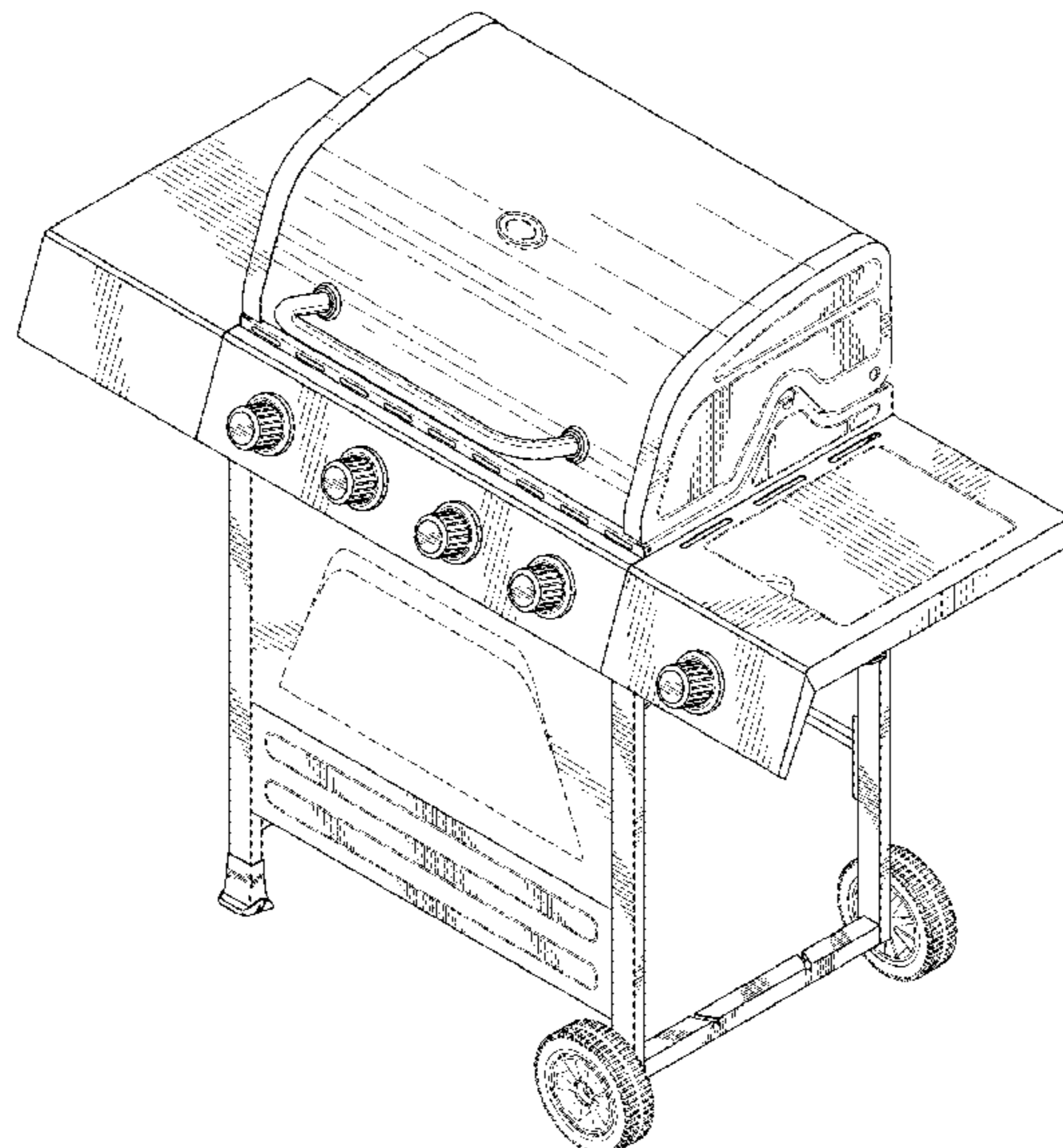
DESCRIPTION

FIG. 1 is a perspective view of a barbecue grill. FIG. 2 is a front elevational view thereof; FIG. 3 is a rear elevational view thereof; FIG. 4 is a left side elevational view thereof; FIG. 5 is a right side elevational view thereof; FIG. 6 is a top plan view thereof; and, FIG. 7 is a bottom plan view thereof. The broken lines shown in the drawings are for the purpose of illustrating unclaimed portions of the barbecue grill and form no part of the claimed design.

1 Claim, 7 Drawing Sheets

(56) **References Cited**
U.S. PATENT DOCUMENTS

D465,693 S *	11/2002	Coleman	D7/334
D494,004 S *	8/2004	Chapman	D7/334
D525,072 S *	7/2006	Wilgus	D7/334
D579,709 S *	11/2008	Proffitt	D7/334
D658,926 S *	5/2012	Chung	D7/334
D660,073 S *	5/2012	Chung	D7/334
D660,074 S *	5/2012	Chung	D7/334
D661,538 S *	6/2012	Chung	D7/334
D679,937 S *	4/2013	Chung	D7/334
D681,389 S *	5/2013	Goecke	D7/334
D687,667 S *	8/2013	Chien	D7/334
D687,669 S *	8/2013	Chung	D7/334
D688,082 S *	8/2013	Crick	D7/334



(56)

References Cited

U.S. PATENT DOCUMENTS

2008/0229937 A1* 9/2008 Stephen A47J 37/07
99/421 R
2010/0132689 A1* 6/2010 Contarino, Jr. A47J 37/067
126/25 B
2013/0112088 A1* 5/2013 May A47J 37/07
99/421 H
2014/0261378 A1* 9/2014 Barreto A47J 37/0713
126/25 R
2014/0318524 A1* 10/2014 Measom A47J 37/0704
126/25 R
2015/0004297 A1* 1/2015 Pothetes A47J 37/00
426/523
2016/0208837 A1* 7/2016 Chang F16B 5/02

* cited by examiner

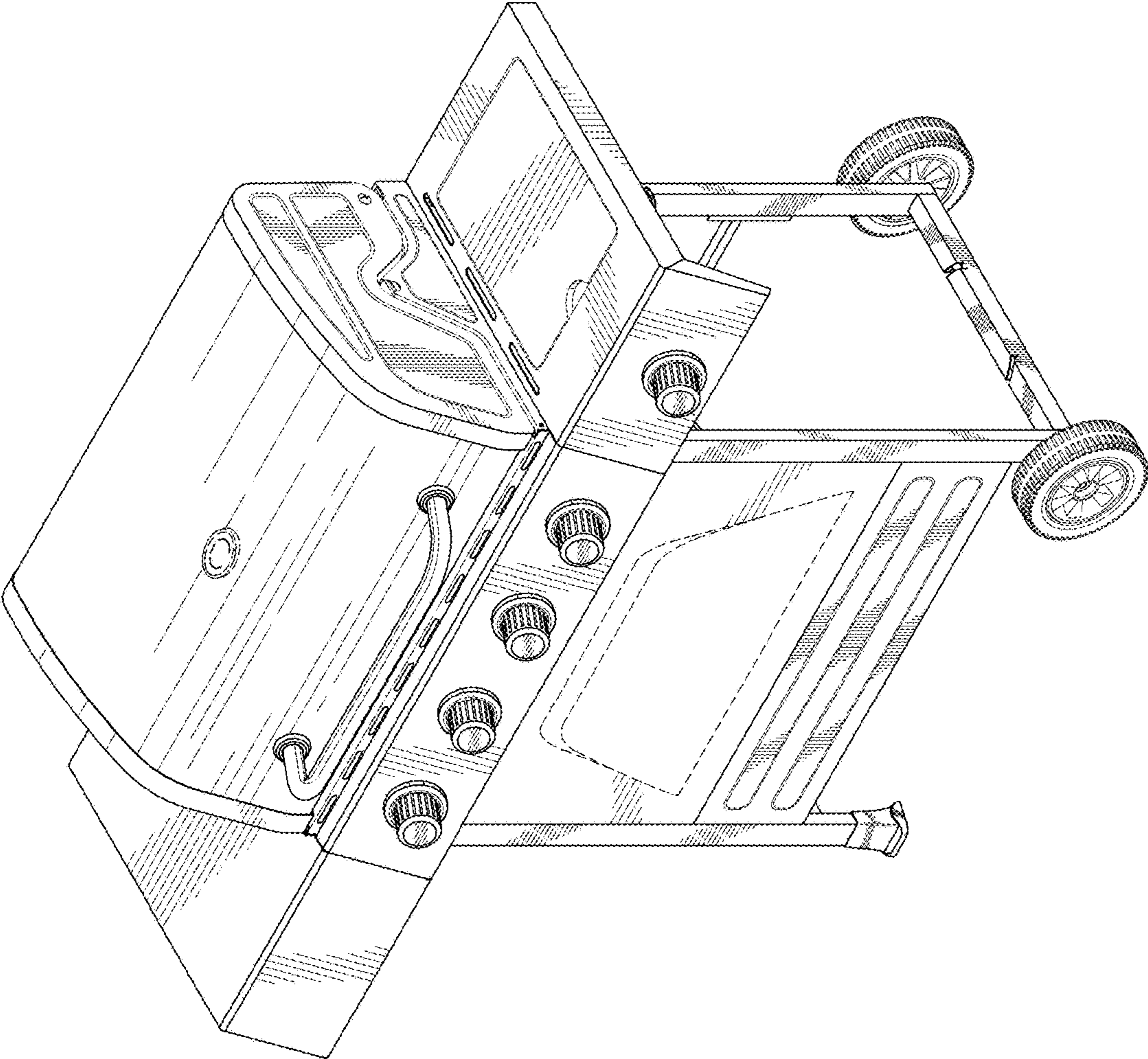


FIG.1

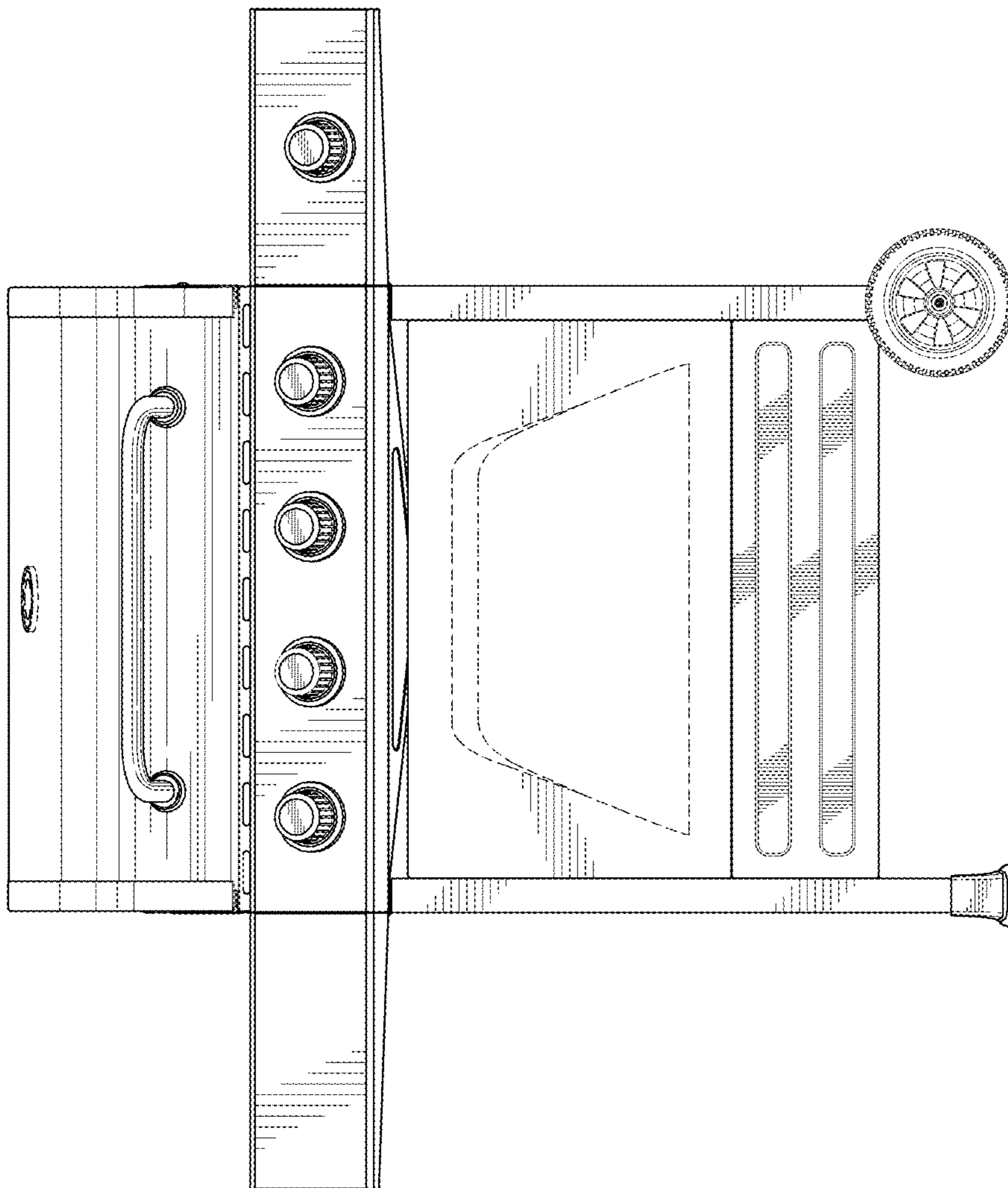


FIG.2

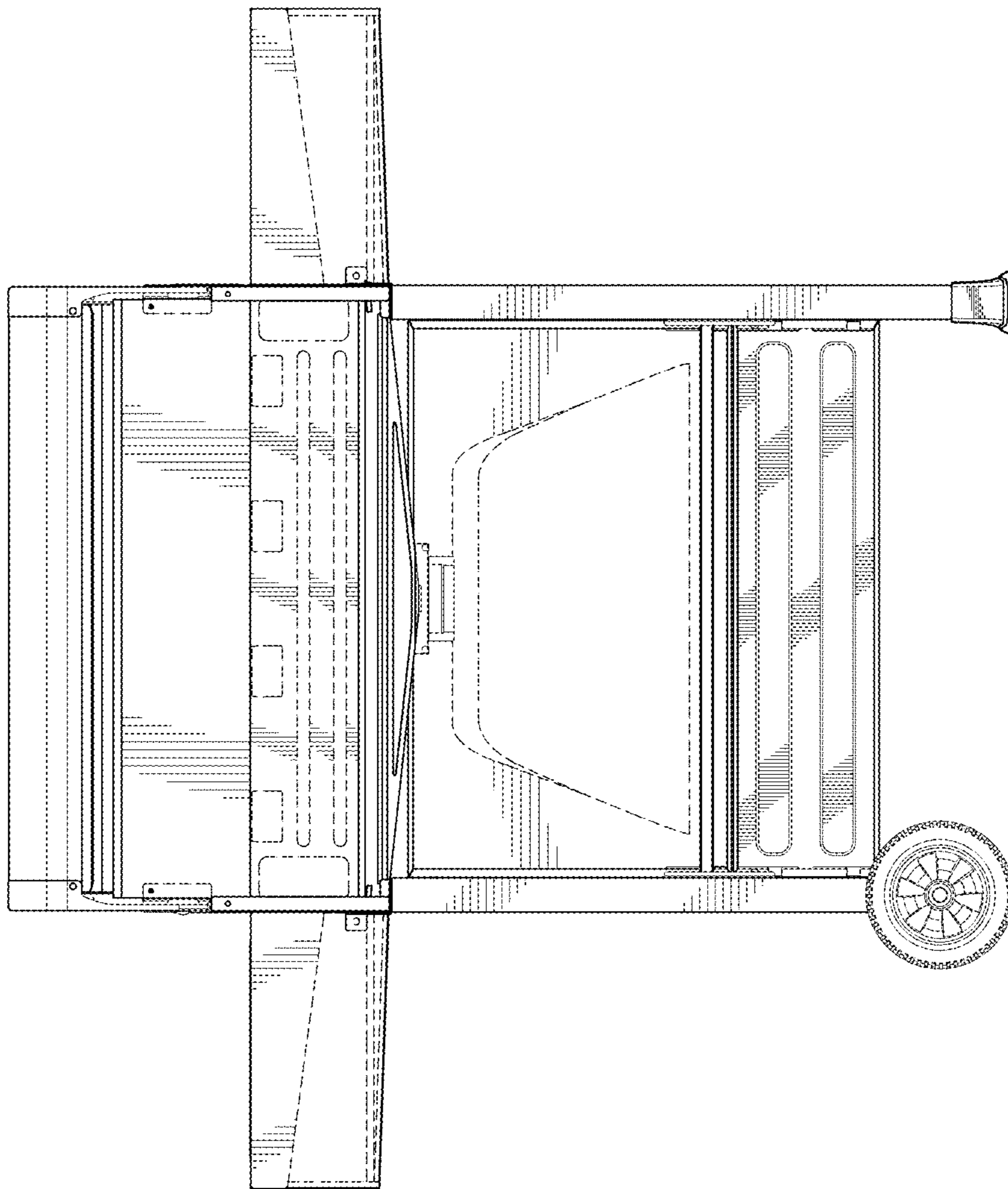


FIG.3

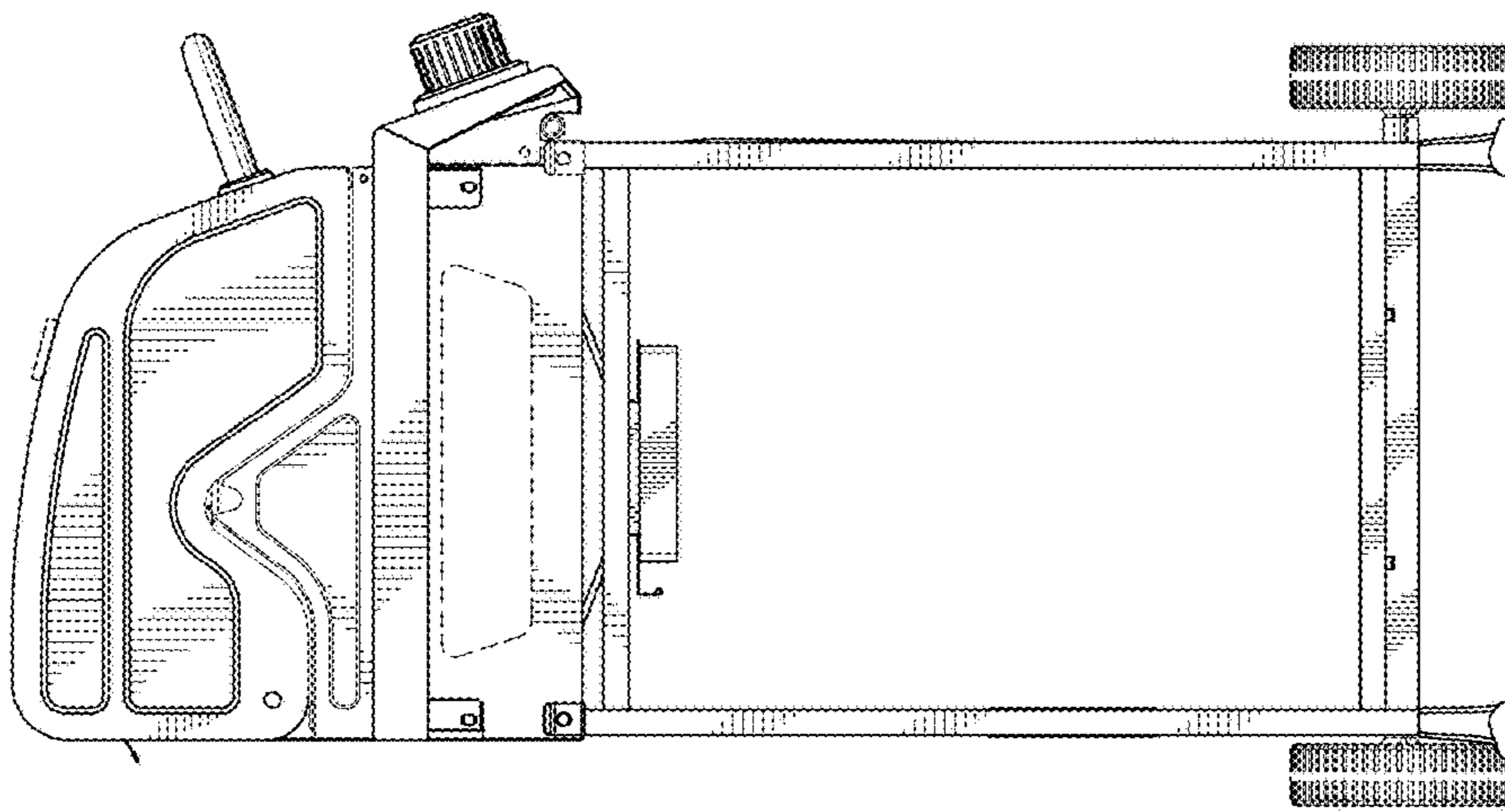


FIG.4

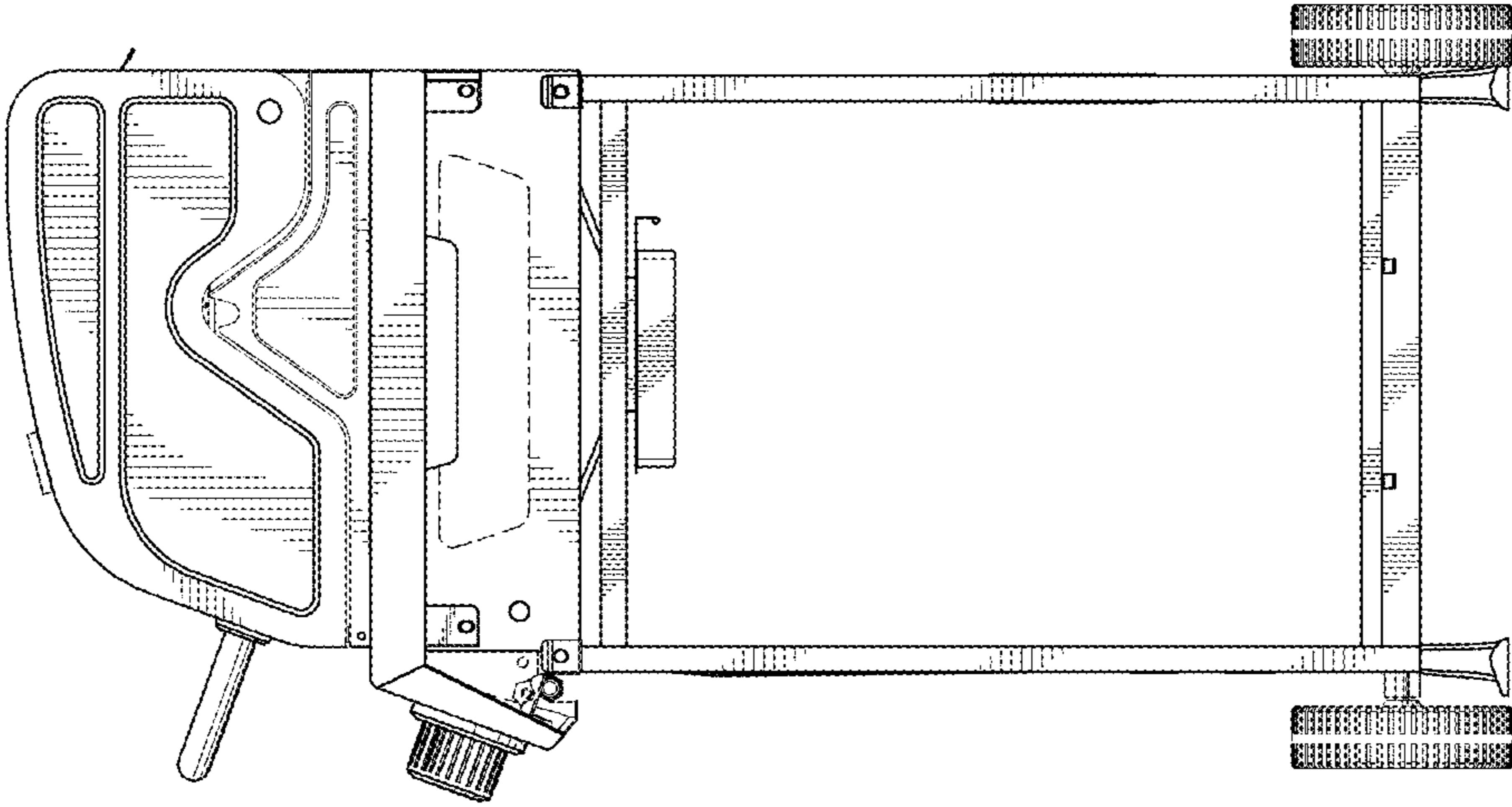


FIG.5

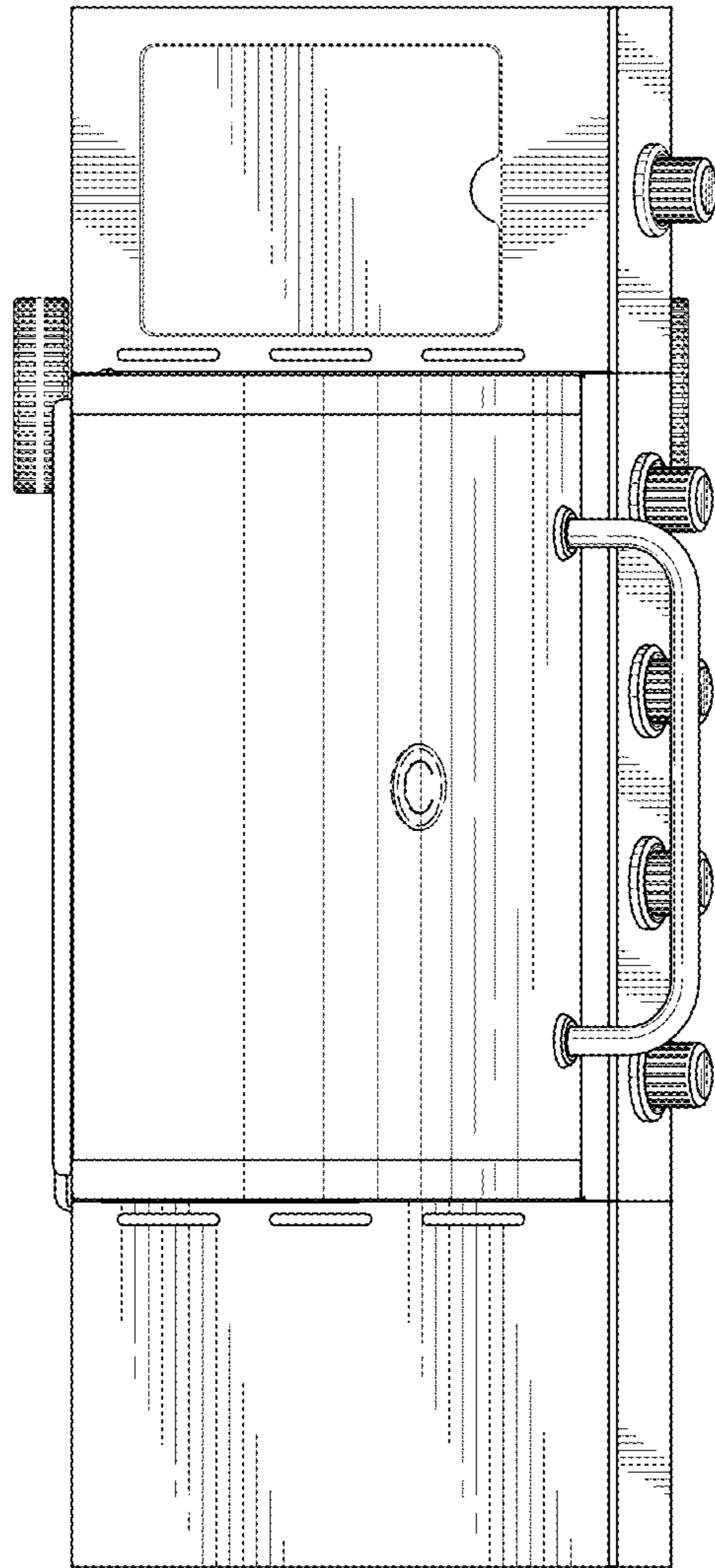


FIG.6

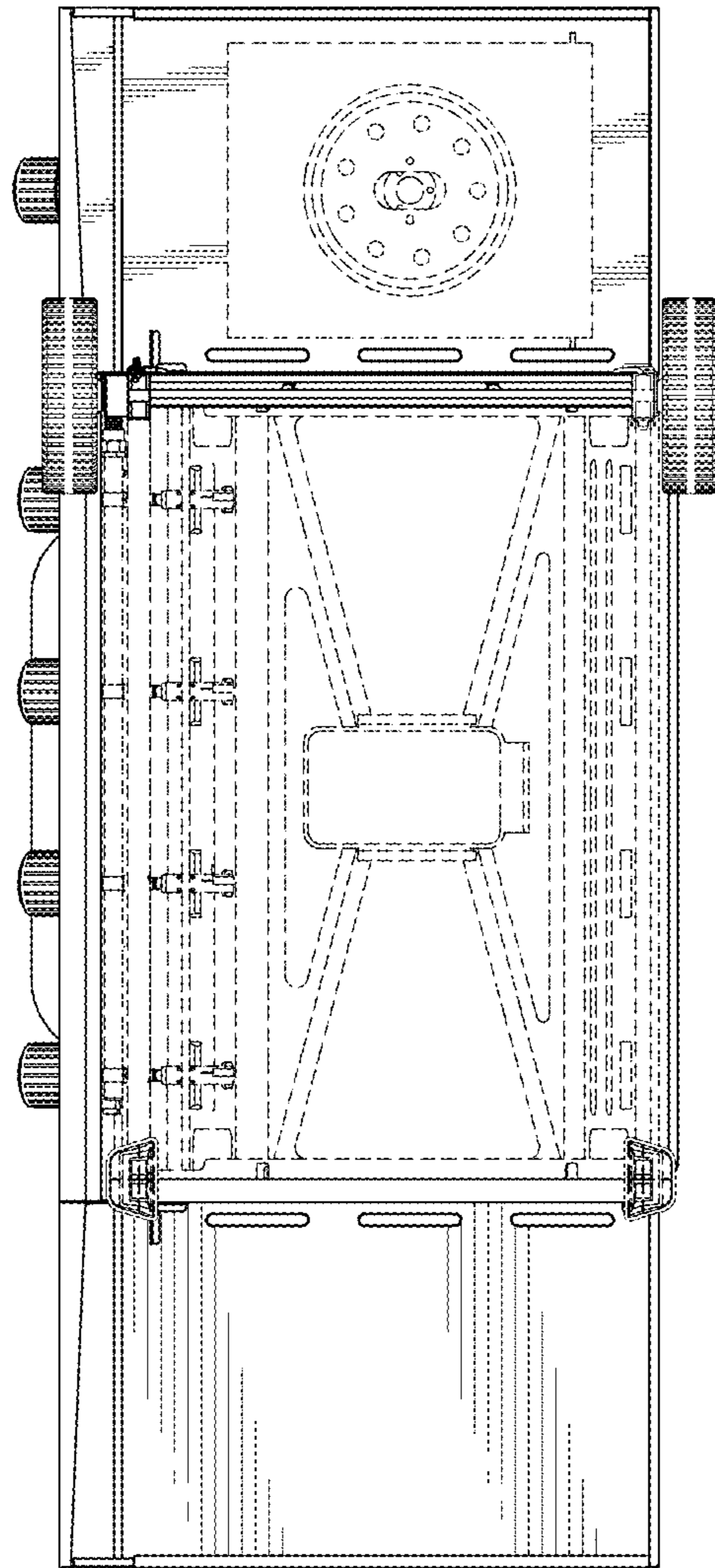


FIG.7