



US00D794994S

(12) **United States Design Patent** (10) **Patent No.:** **US D794,994 S**
Bond et al. (45) **Date of Patent:** **** Aug. 22, 2017**

(54) **TOASTER OVEN**

(71) Applicant: **Nostalgia Products LLC**, Green Bay, WI (US)

(72) Inventors: **Gregg Bond**, Beverly Hills, CA (US);
Edward E. Boughton, III, Ventura, CA (US)

(73) Assignee: **NOSTALGIA PRODUCTS LLC**,
Green Bay, WI (US)

(**) Term: **15 Years**

(21) Appl. No.: **29/544,200**

(22) Filed: **Oct. 30, 2015**

(51) **LOC (10) Cl.** **07-02**

(52) **U.S. Cl.**
USPC **D7/328**

(58) **Field of Classification Search**
USPC .. D7/323, 328-330, 348, 350.1, 350.4, 390;
D23/343
CPC ... A21B 2/00; A47J 37/00; A47J 37/06; A47J
37/0611; A47J 37/08; A47J 37/0807;
A47J 37/0814; A47J 37/0835; A47J
37/0842; A47J 37/085; A47J 37/0864;
A47J 37/0878; A47J 37/0885; A47J
37/0892; F24C 15/10; F24C 15/102
See application file for complete search history.

(56) **References Cited**

U.S. PATENT DOCUMENTS

D381,861 S *	8/1997	Rorke	D7/350.4
D521,799 S *	5/2006	Ledingham	D7/350.1
D602,306 S *	10/2009	Lavy	D7/350.1
D621,202 S *	8/2010	Pino	D7/350.1
D639,104 S *	6/2011	Duncan	D7/350.1
D644,311 S *	8/2011	De' Longhi	D23/343
D655,129 S *	3/2012	Gresko	D7/350.1

(Continued)

Primary Examiner — Ricky Pham

(74) *Attorney, Agent, or Firm* — Blakely Sokoloff Taylor & Zafman LLP

(57) **CLAIM**

The ornamental design for toaster oven, as shown and described.

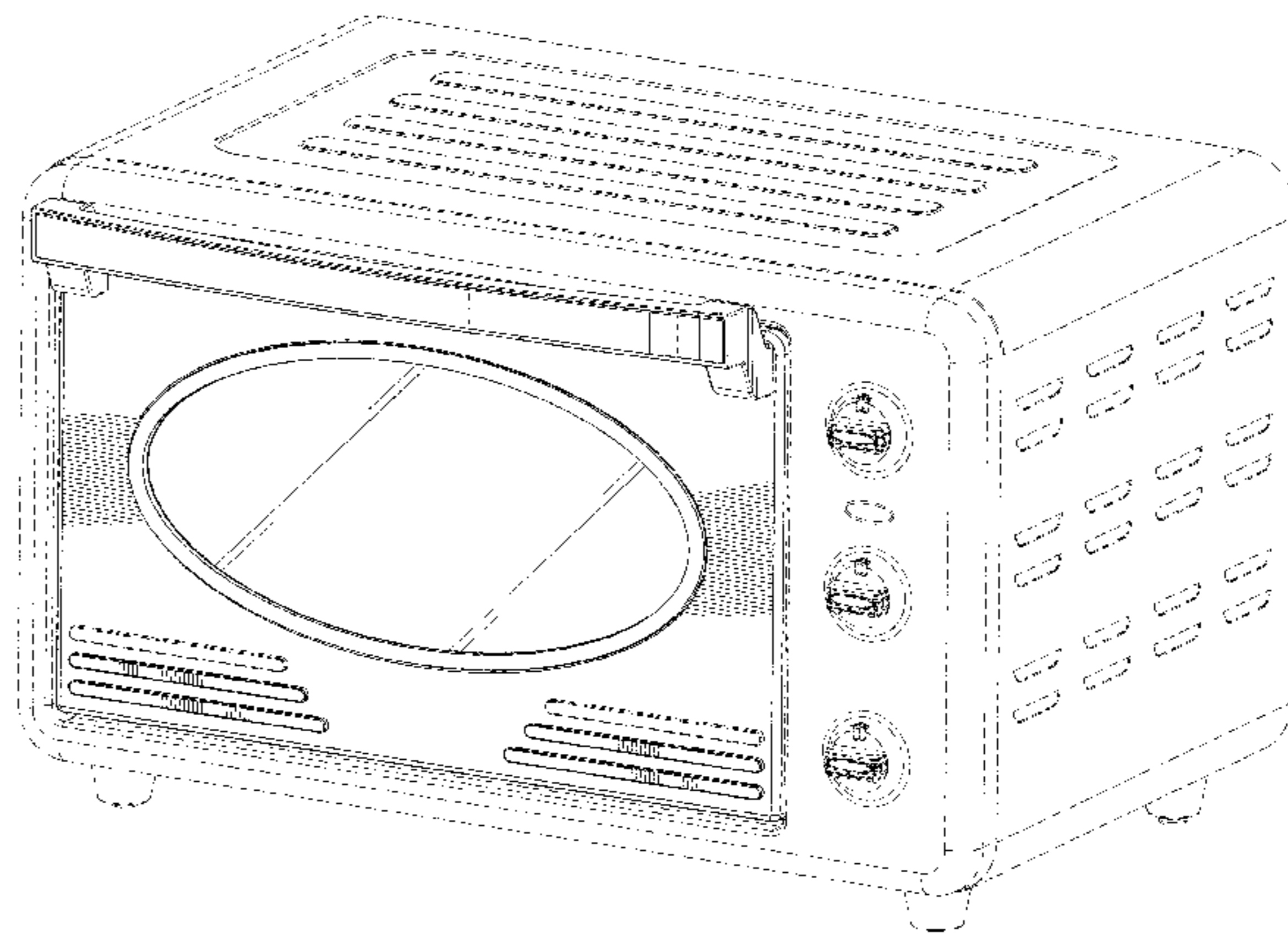
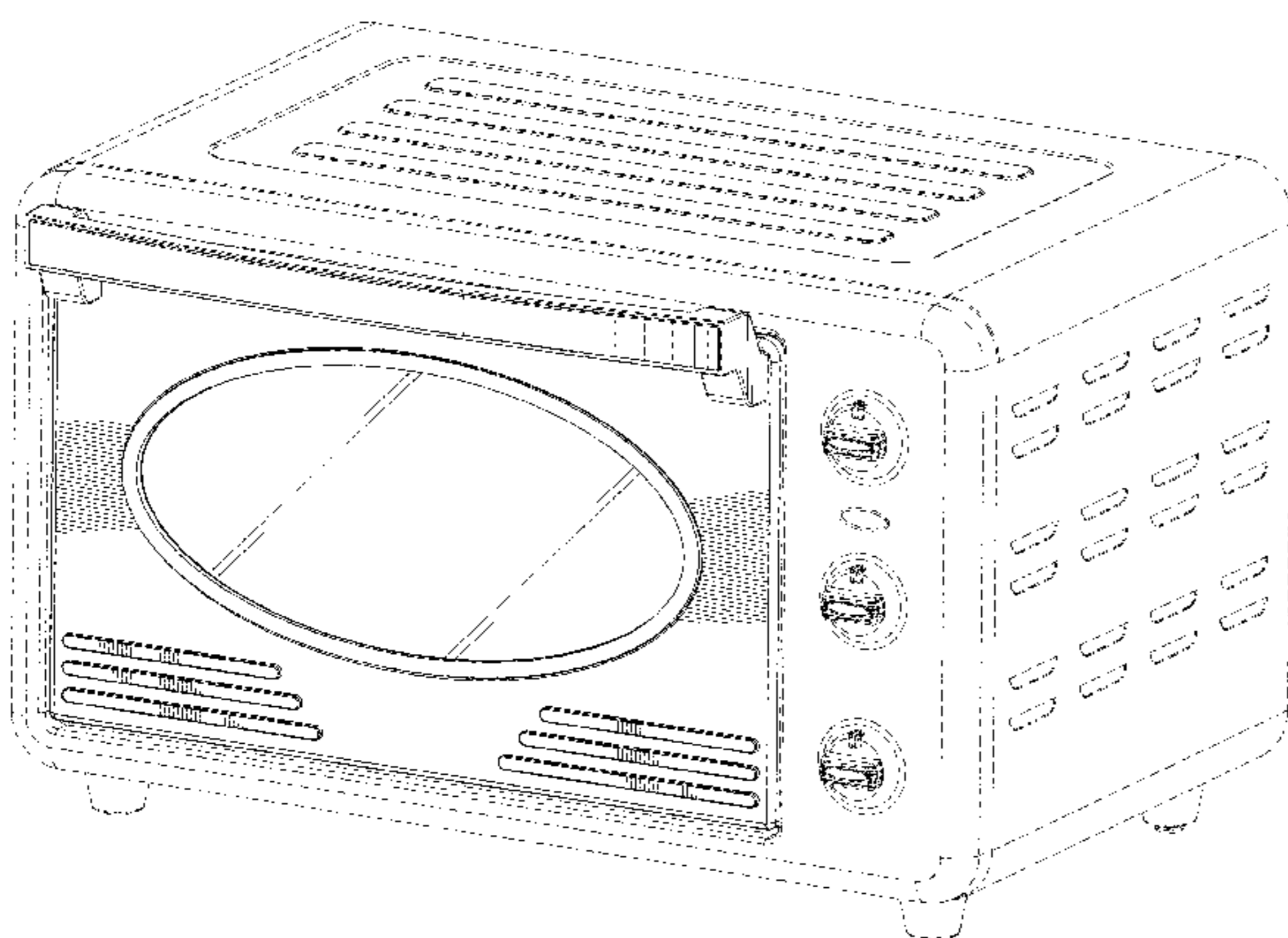
DESCRIPTION

FIG. 1 is a front perspective view illustrating our new design.
 FIG. 2 is a front elevation view thereof.
 FIG. 3 is a rear elevation view thereof.
 FIG. 4 is a right side elevation view thereof.
 FIG. 5 is a left side elevation view thereof.
 FIG. 6 is a top plan view thereof.
 FIG. 7 is a bottom plan view thereof.
 FIG. 8 is front perspective view of a first alternate embodiment of our new design.
 FIG. 9 is a front elevation view of the first alternate embodiment.
 FIG. 10 is a rear elevation view thereof.
 FIG. 11 is a right side elevation view thereof.
 FIG. 12 is a left side elevation view thereof.
 FIG. 13 is a top plan view thereof.
 FIG. 14 is a bottom plan view thereof.
 FIG. 15 is a front perspective view of a second alternate embodiment of our new design.
 FIG. 16 is a front elevation view thereof.
 FIG. 17 is a rear elevation view thereof.
 FIG. 18 is a right side elevation view thereof.
 FIG. 19 is a left side elevation view thereof.
 FIG. 20 is a top plan view thereof; and,
 FIG. 21 is a bottom plan view thereof.

All portions of the drawings shown in dashed lines are for illustrative purposes only and form no part of the claimed design.

The broken lines shown in the drawings are for illustrative purposes only and form no part of the claimed design.

1 Claim, 21 Drawing Sheets



(56)

References Cited

U.S. PATENT DOCUMENTS

D673,000 S	*	12/2012	De' Longhi	D7/350.1
D678,711 S	*	3/2013	Reiner	D7/350.1
D737,620 S	*	9/2015	Miller	D7/328
D737,622 S	*	9/2015	Miller	D7/328
D742,163 S	*	11/2015	De'Longhi	D7/350.1
D781,635 S	*	3/2017	Koszylko	D7/348

* cited by examiner

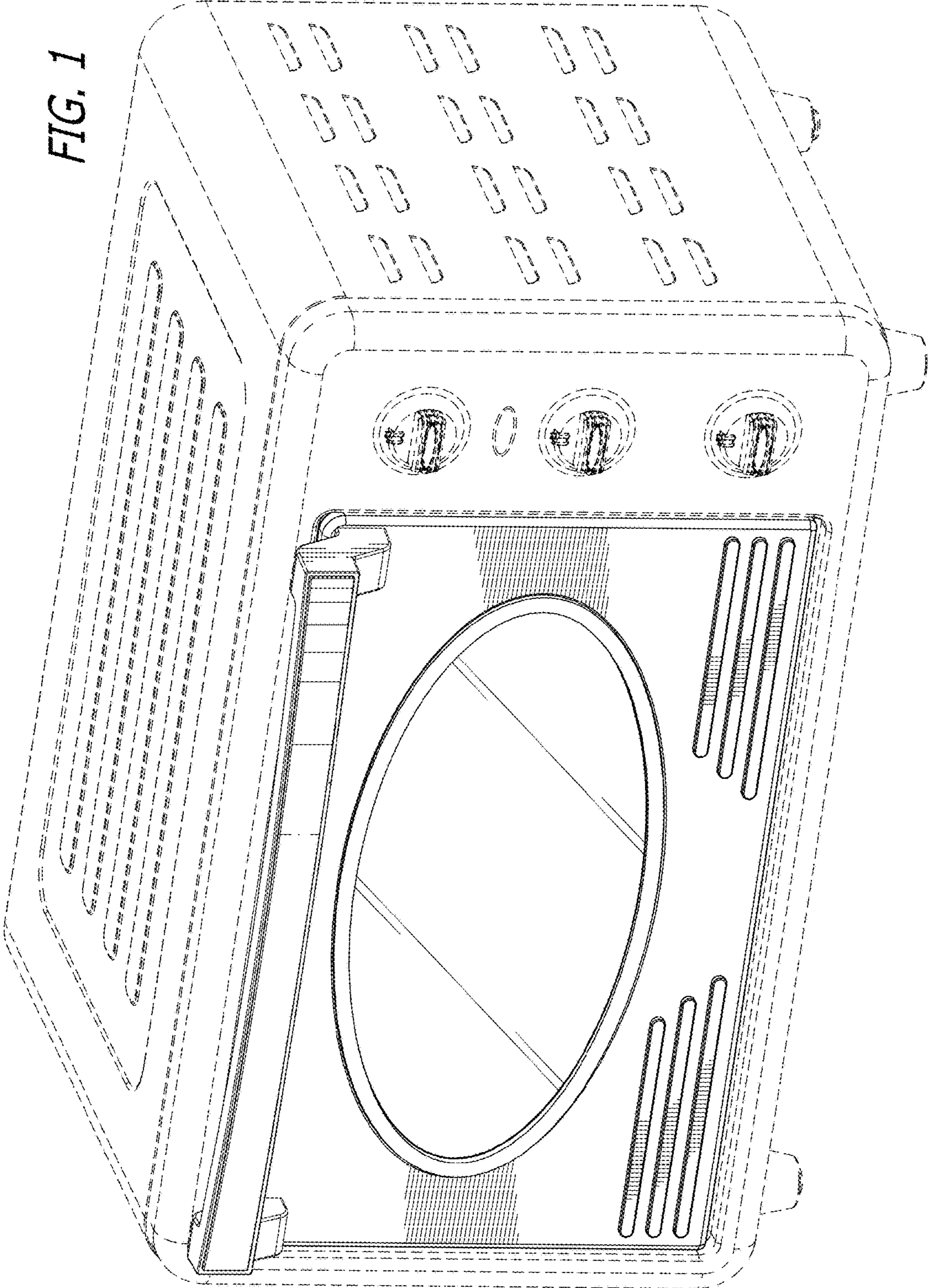


FIG. 1

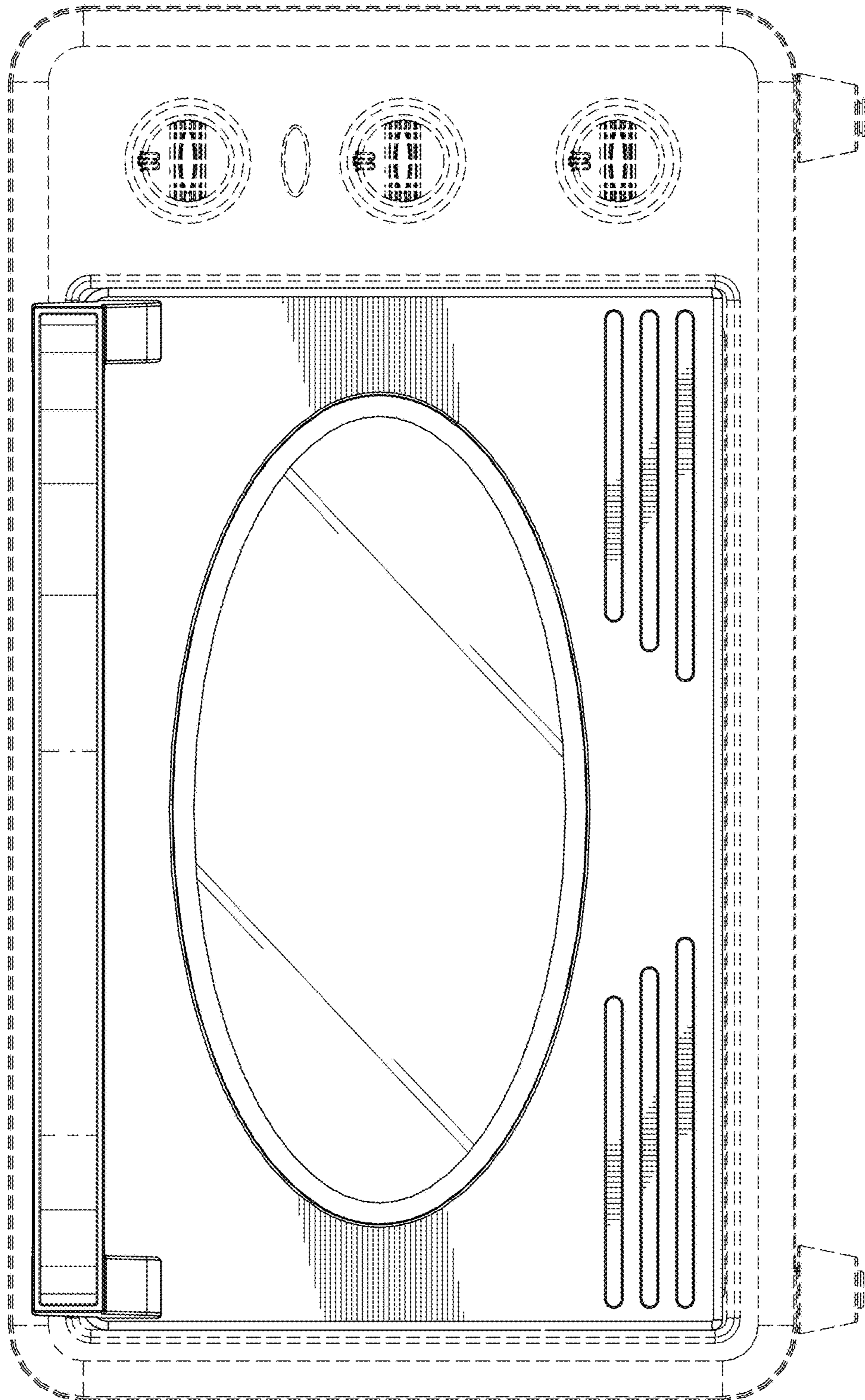


FIG. 2

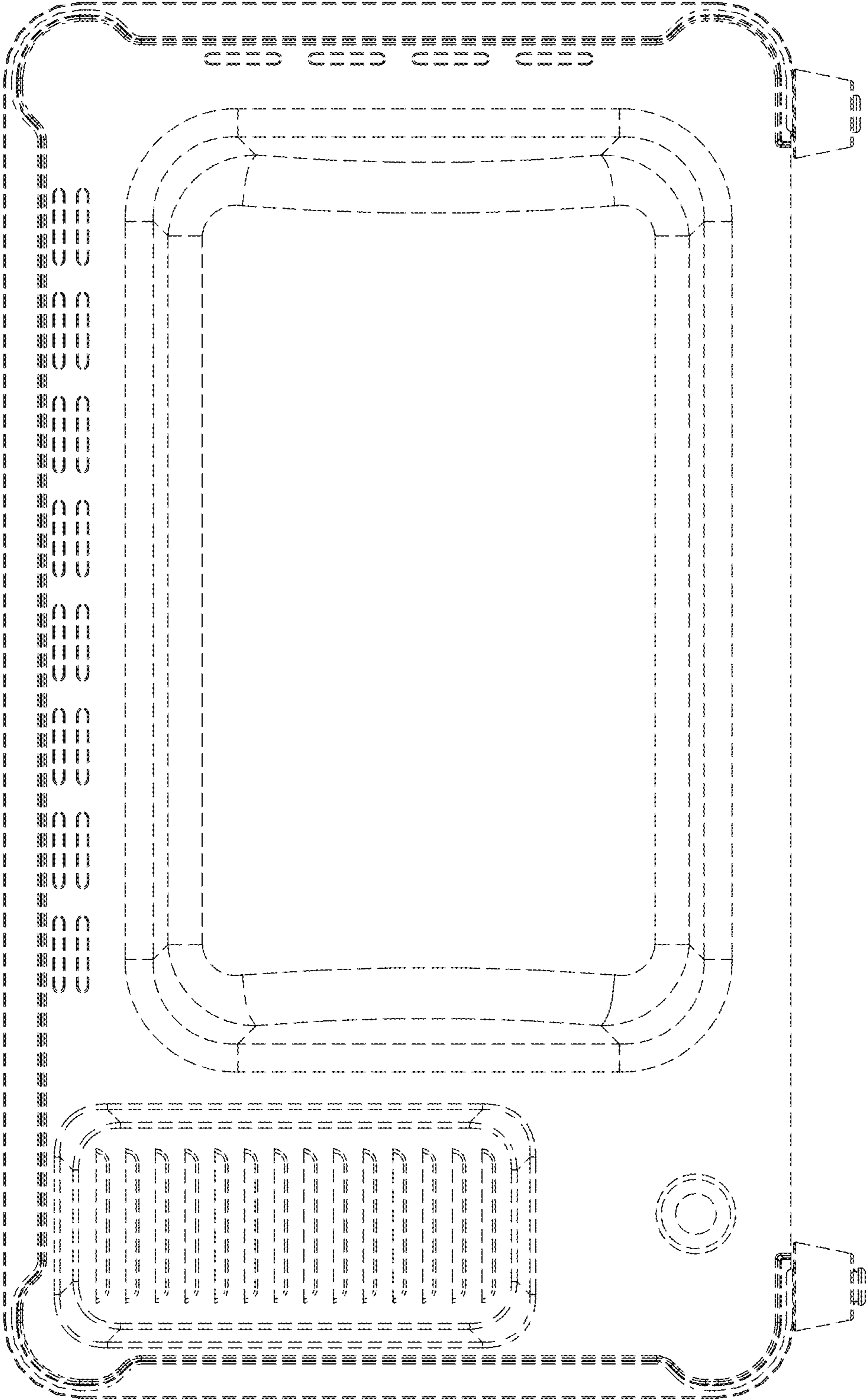


FIG. 3

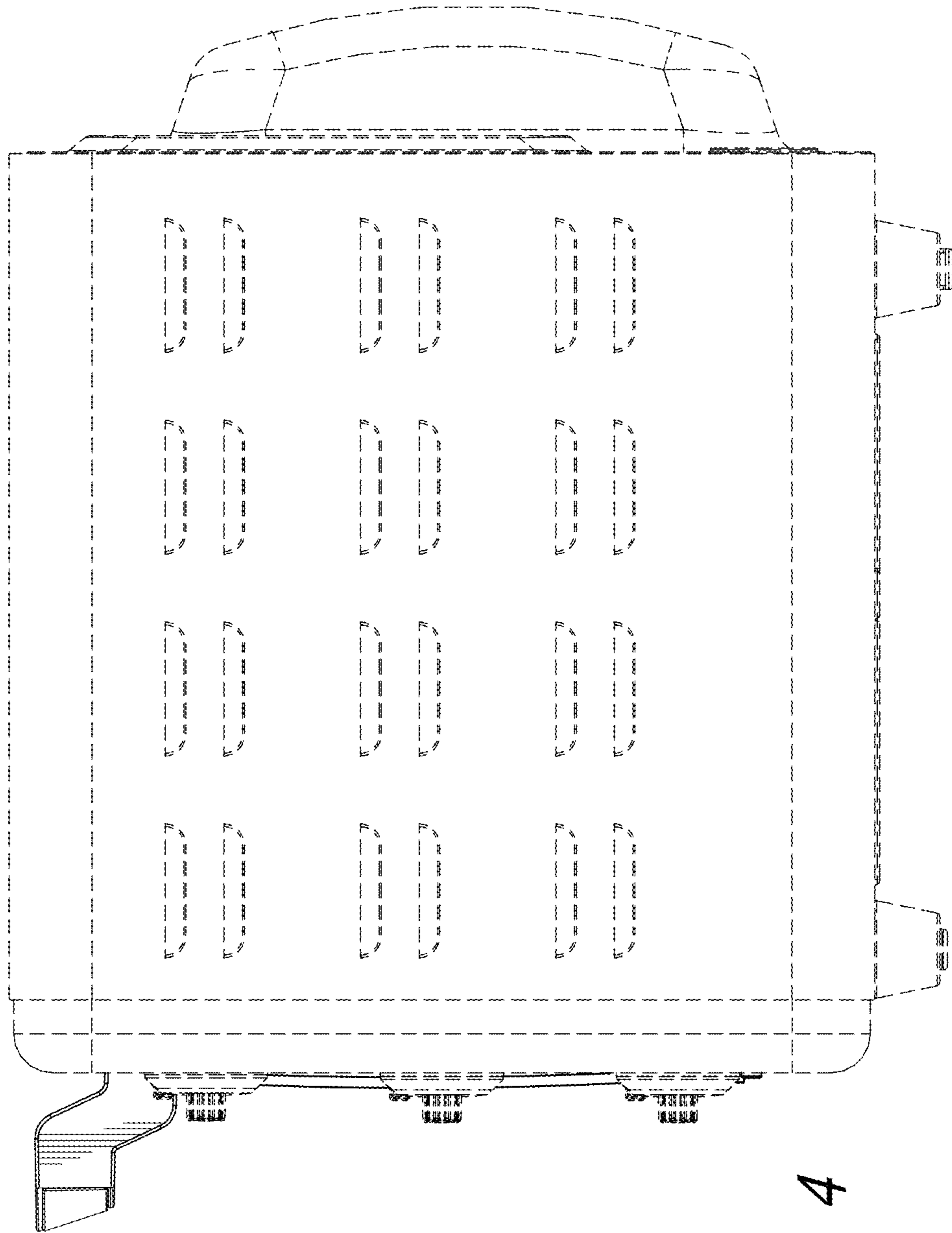
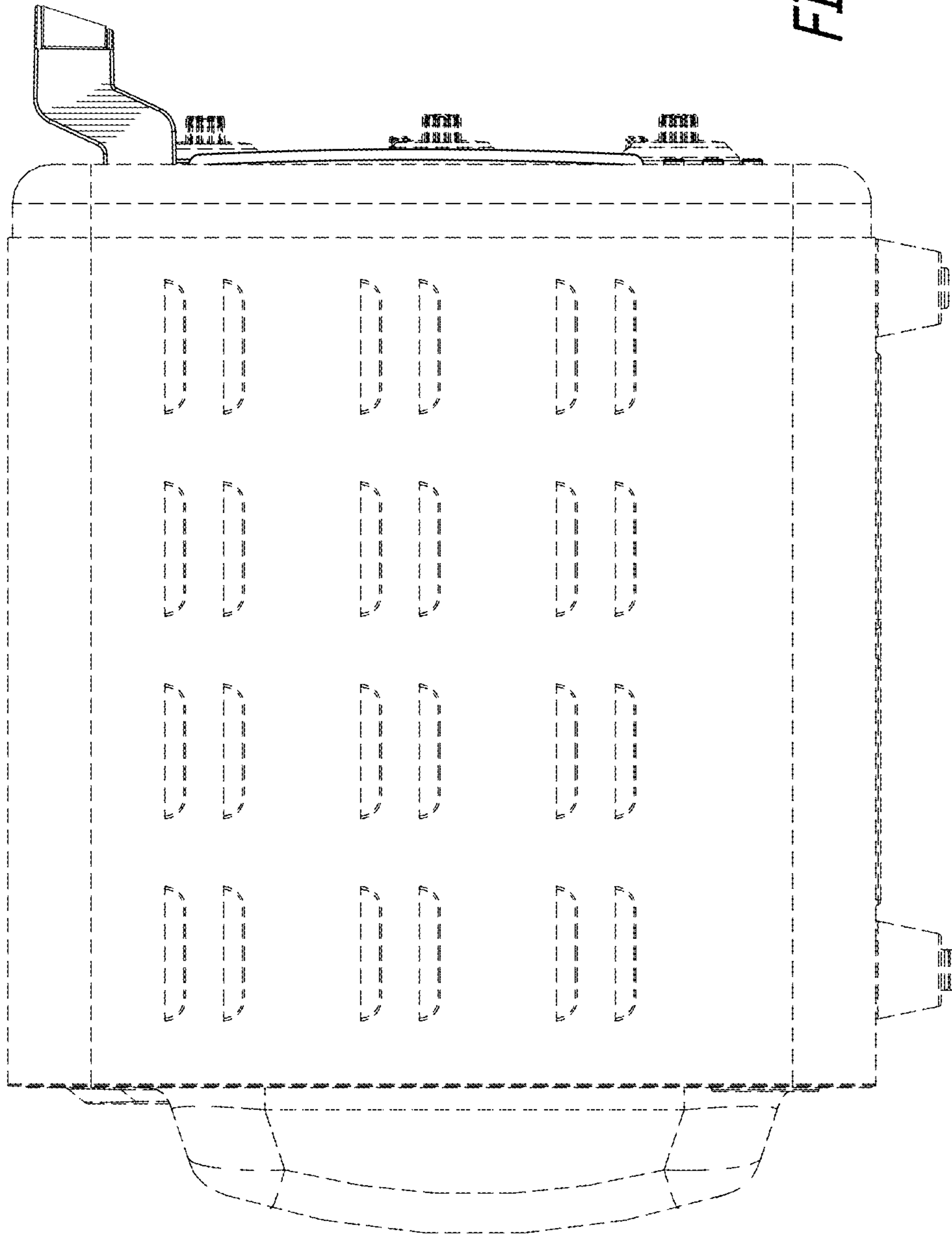
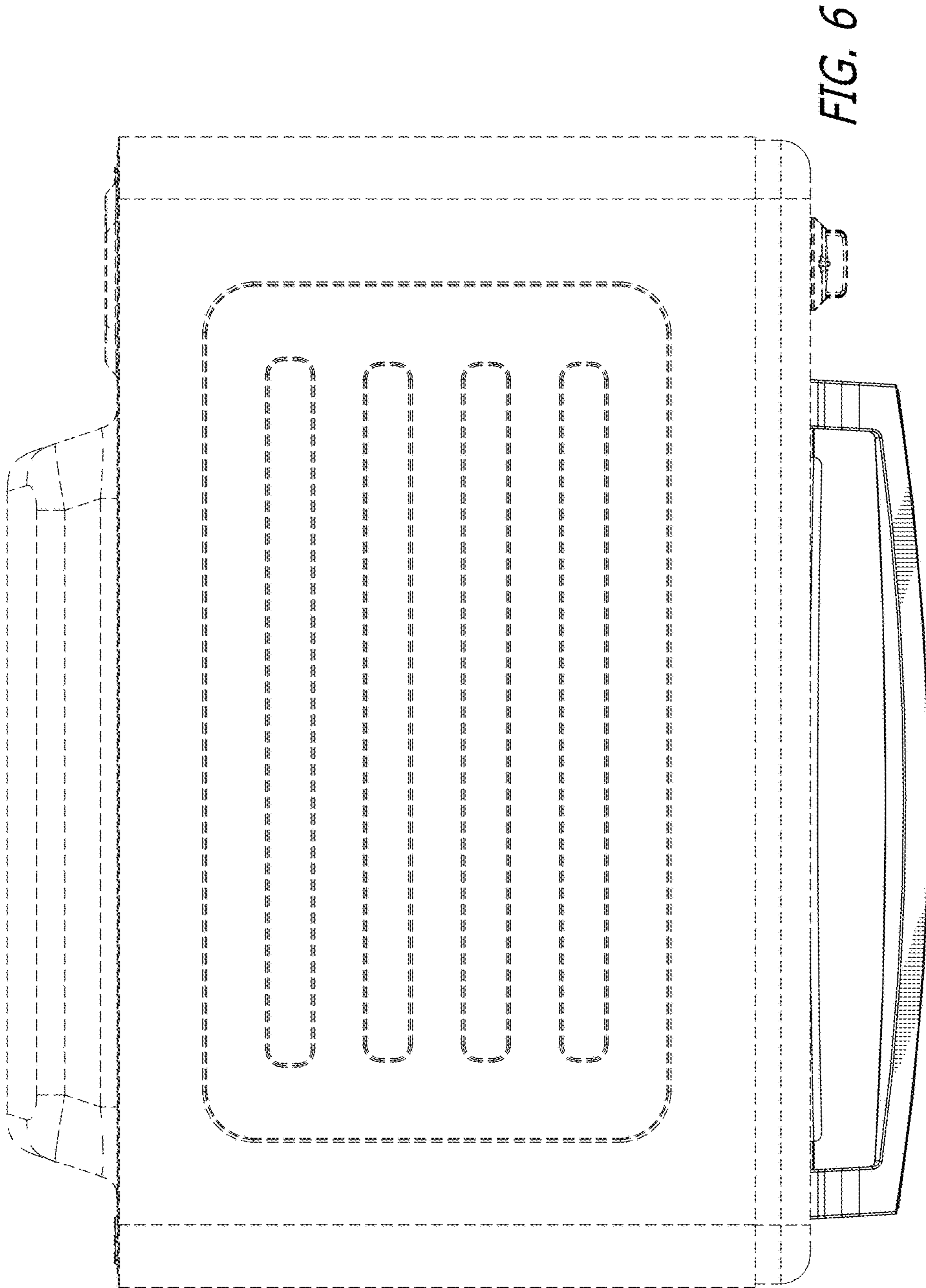
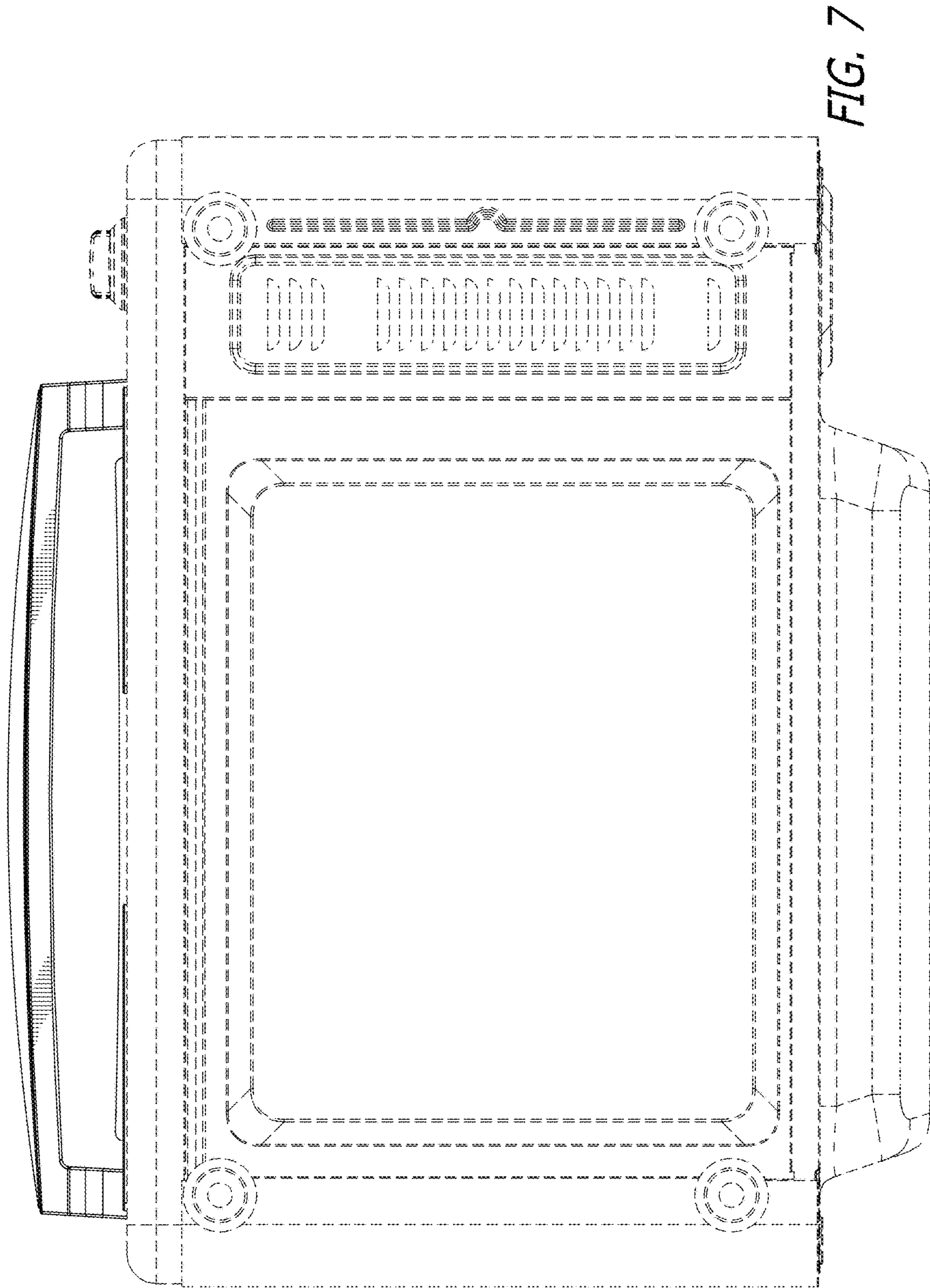


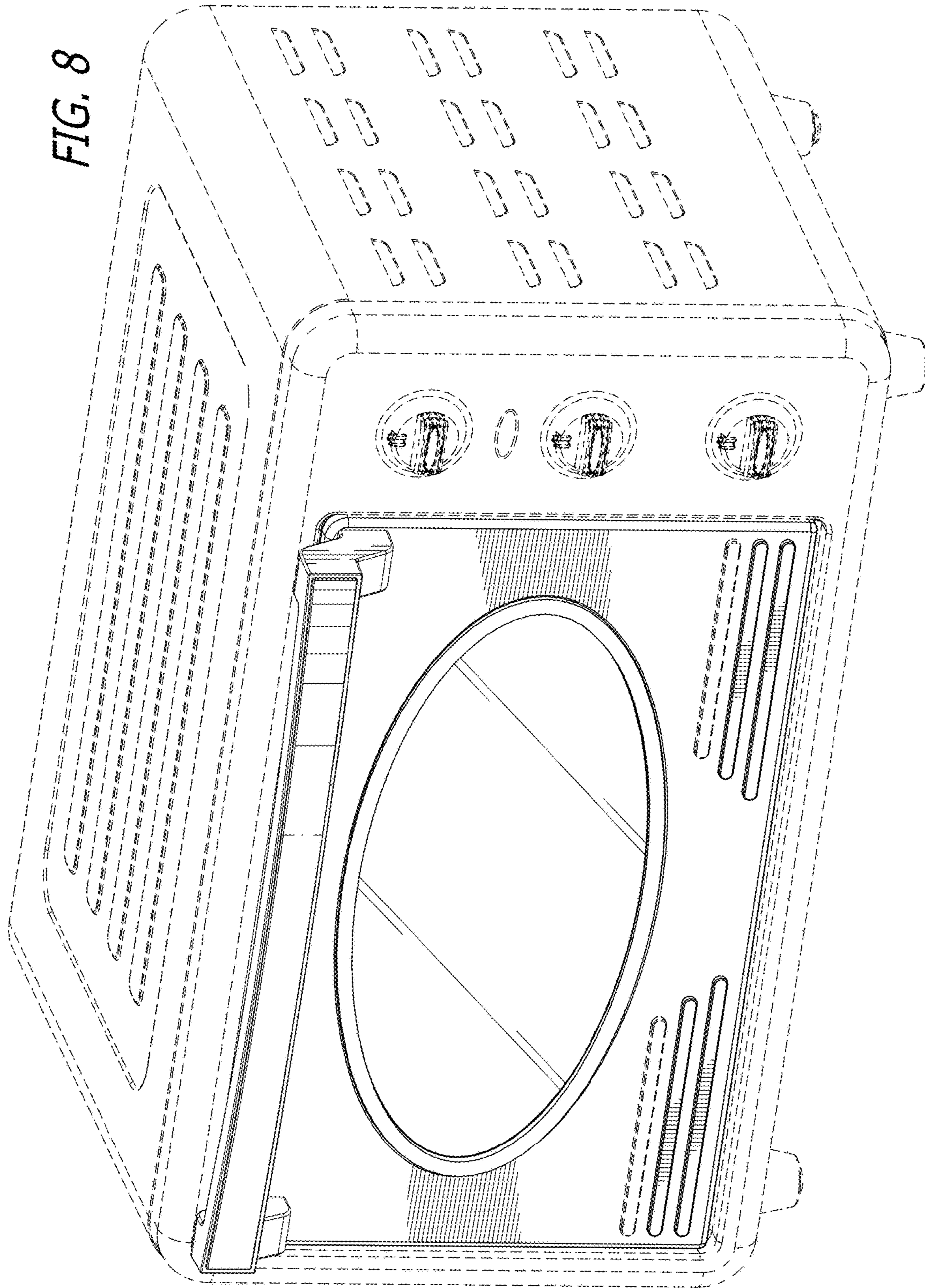
FIG. 4

FIG. 5









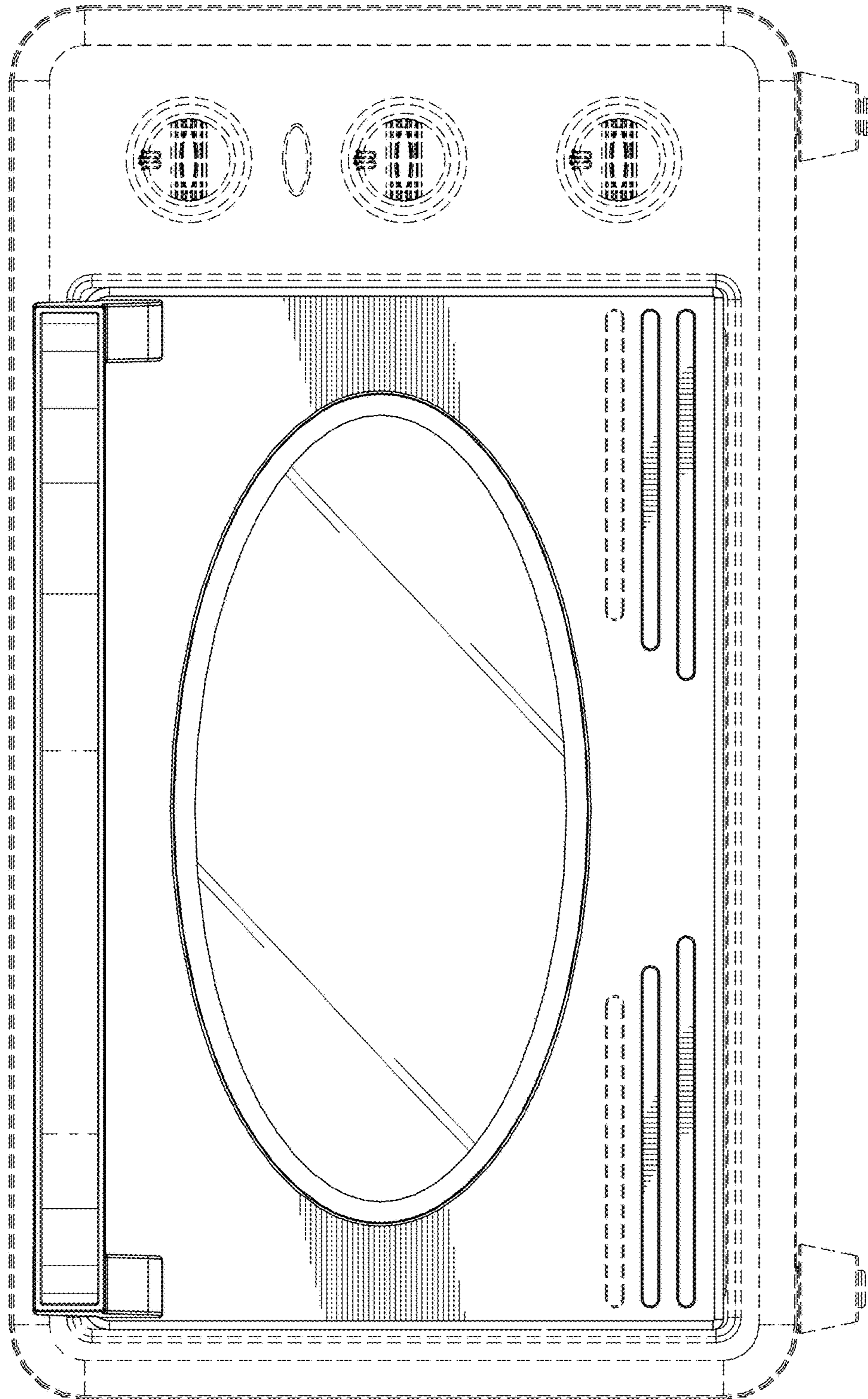


FIG. 9

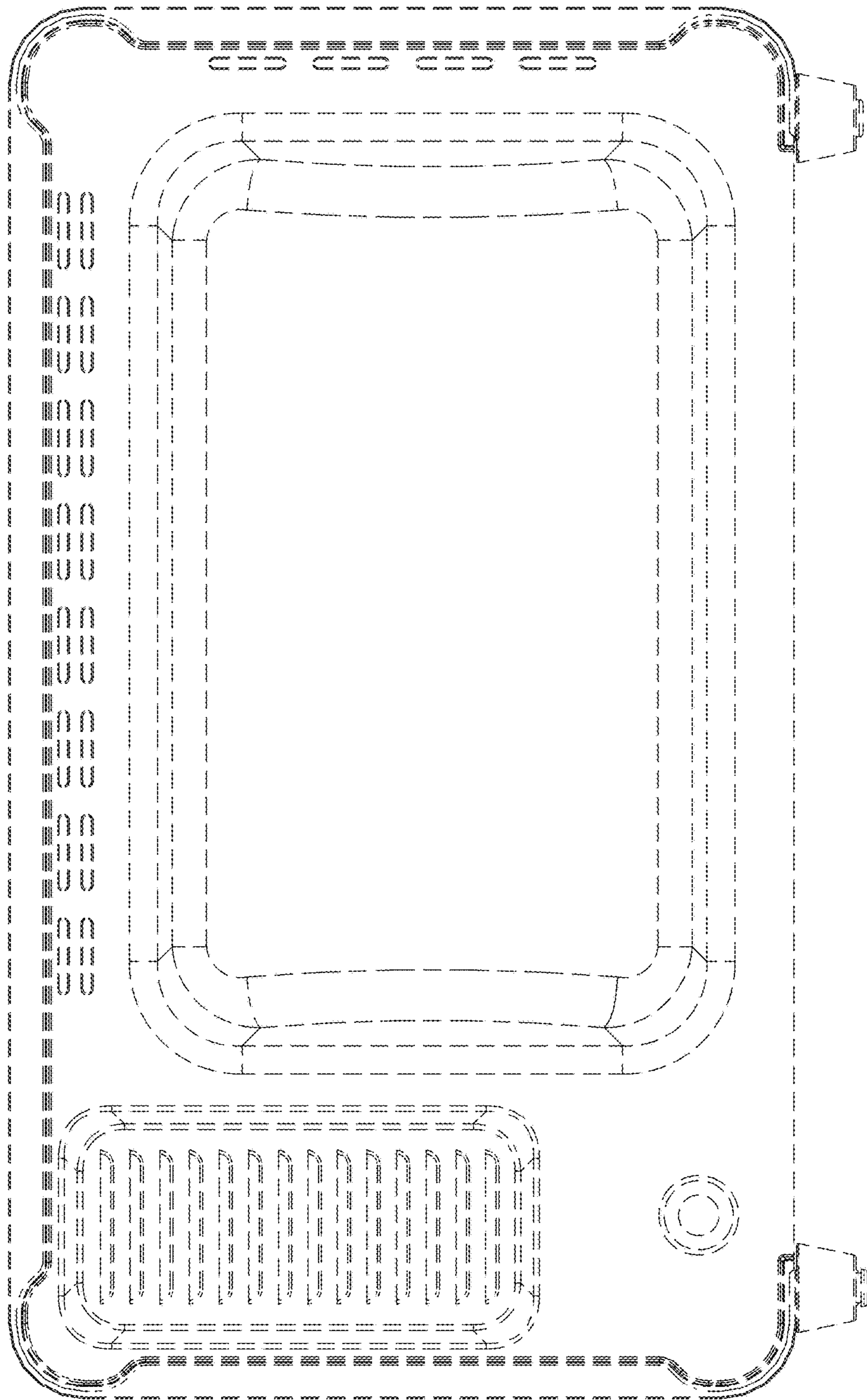


FIG. 10

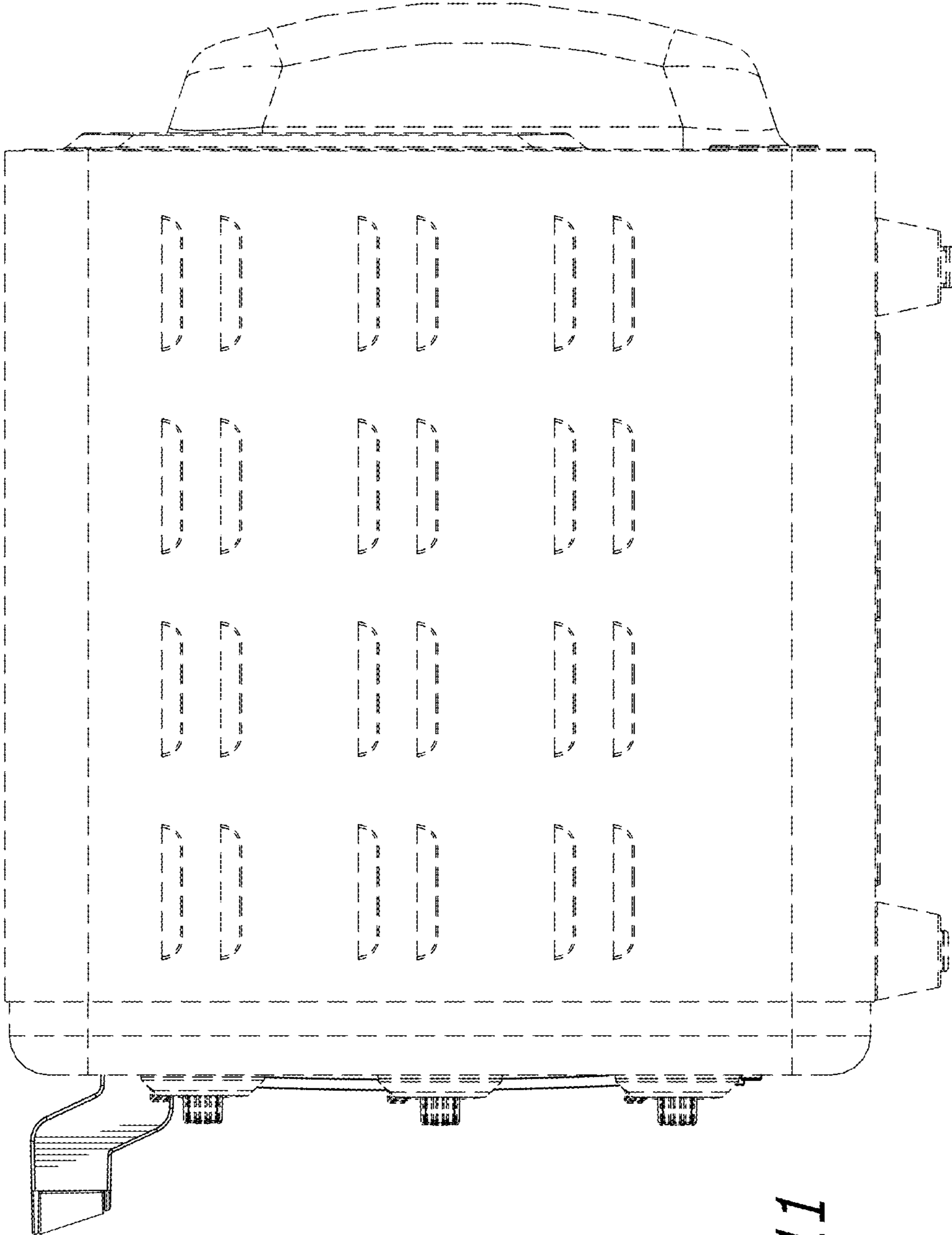


FIG. 11

FIG. 12

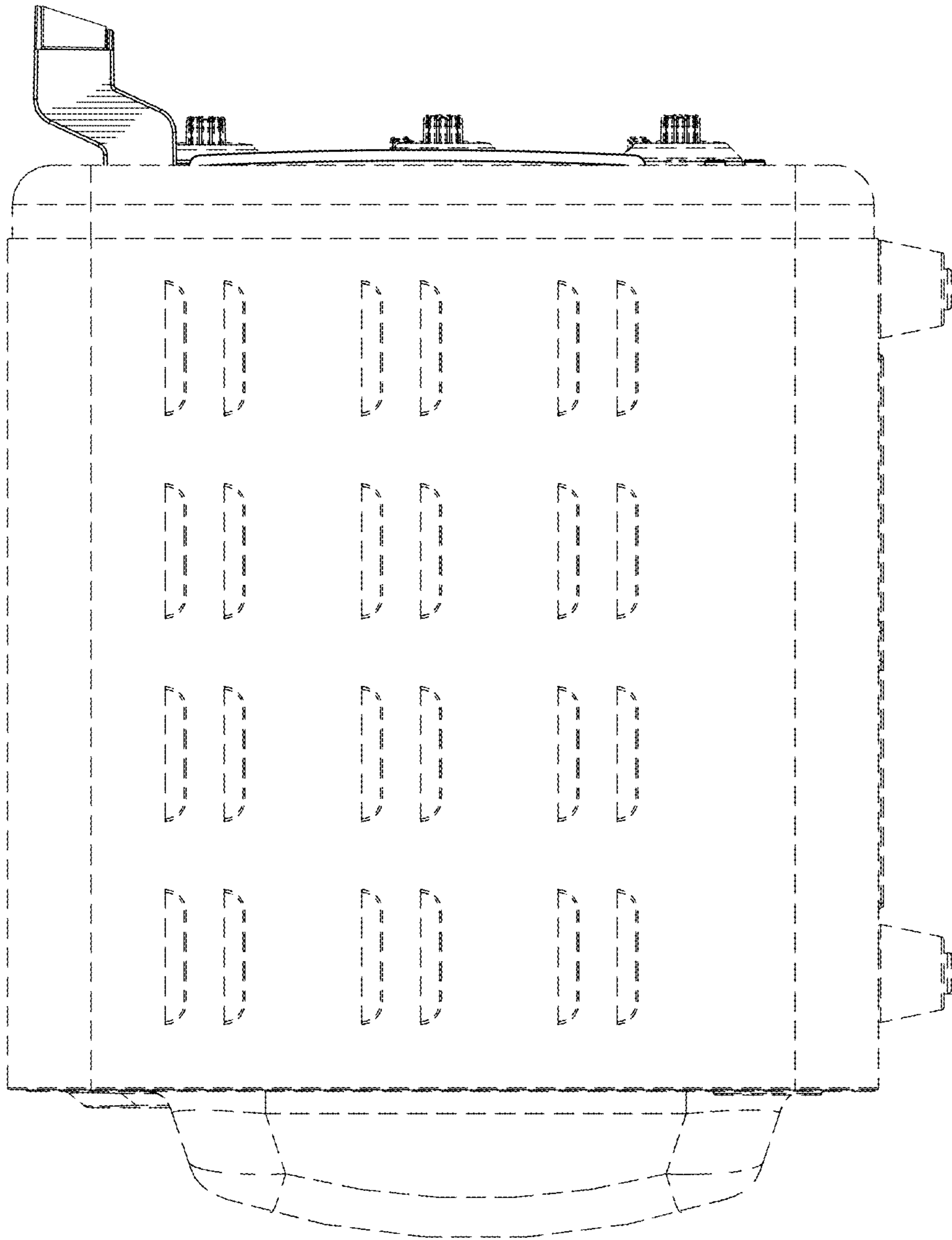


FIG. 13

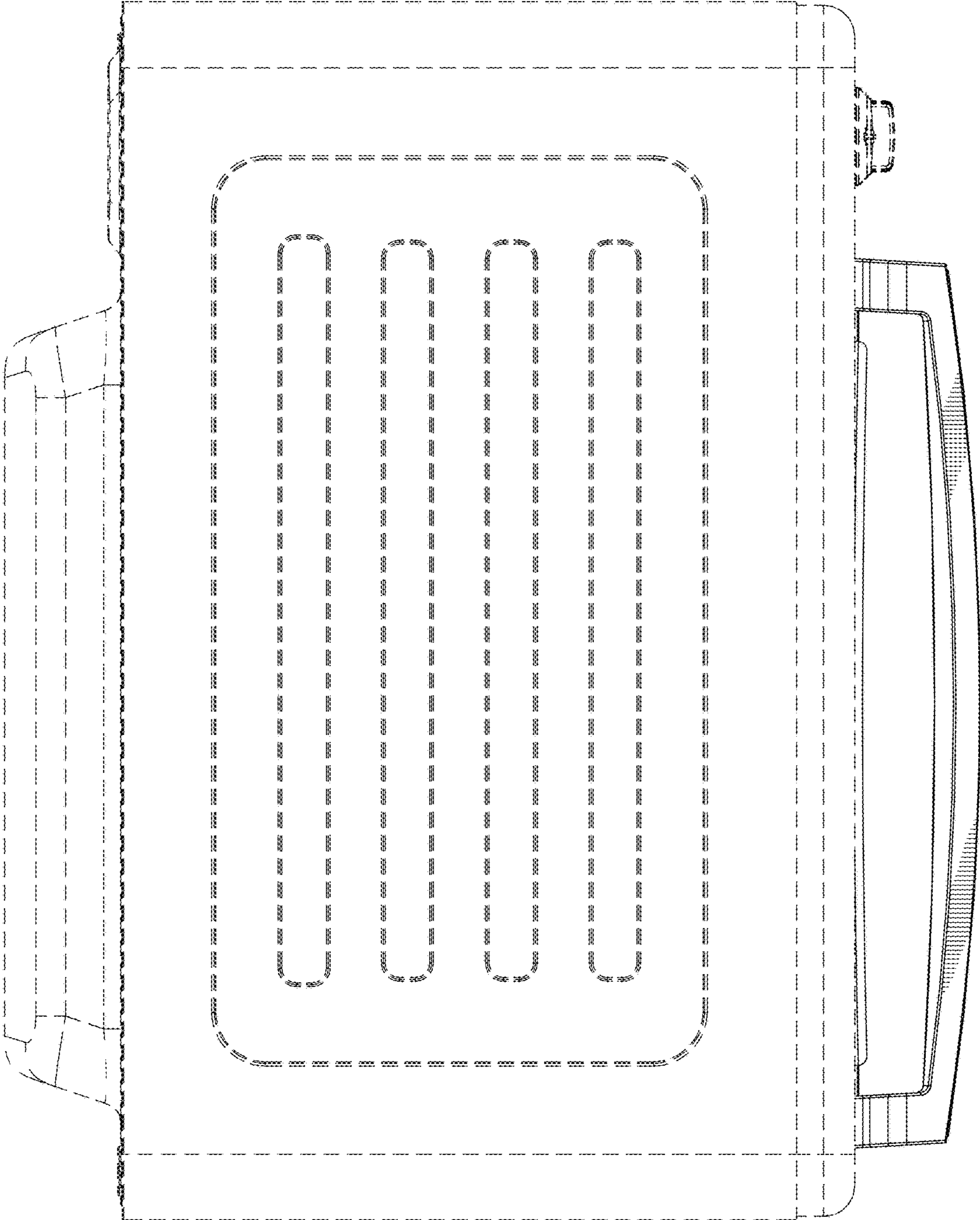
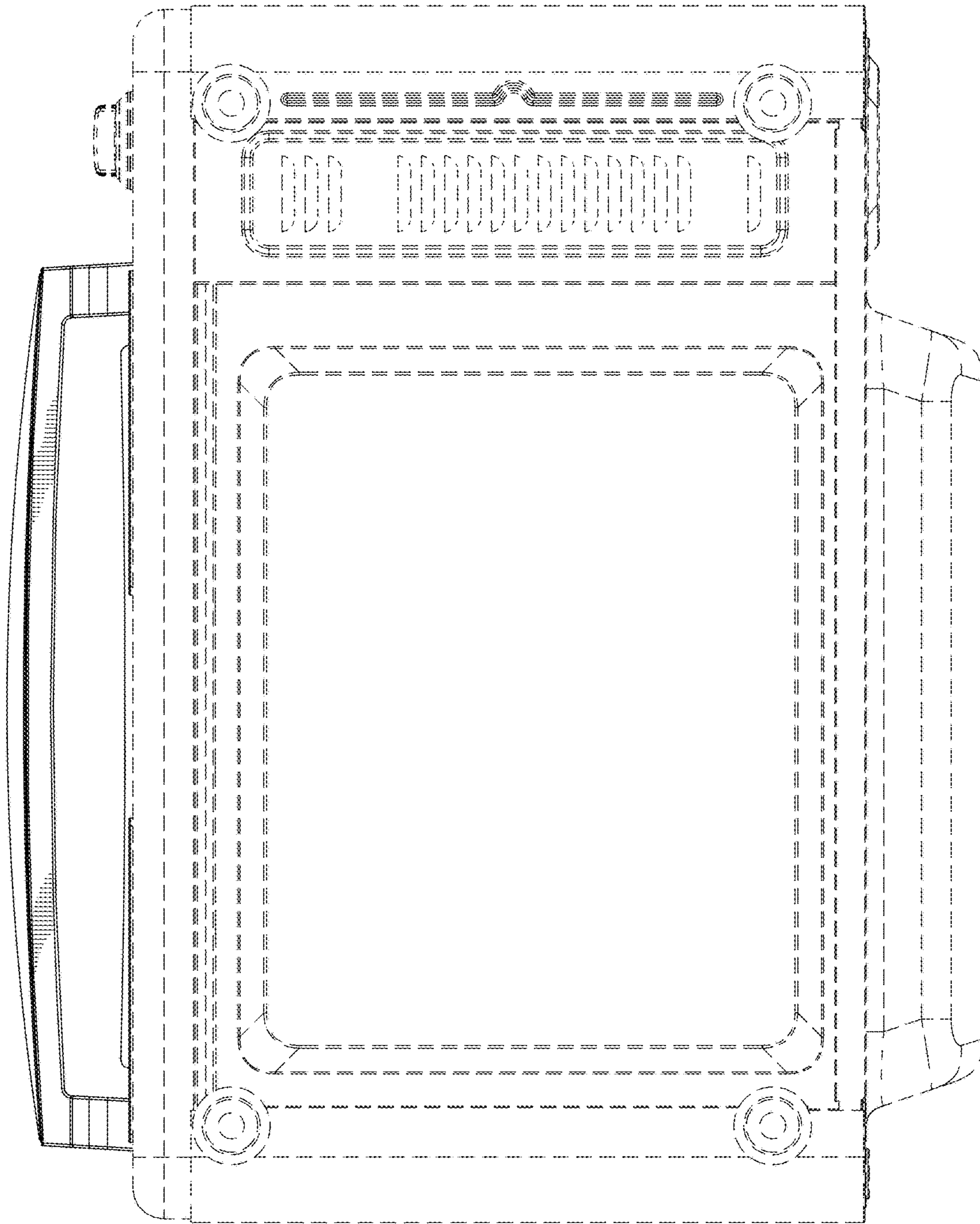
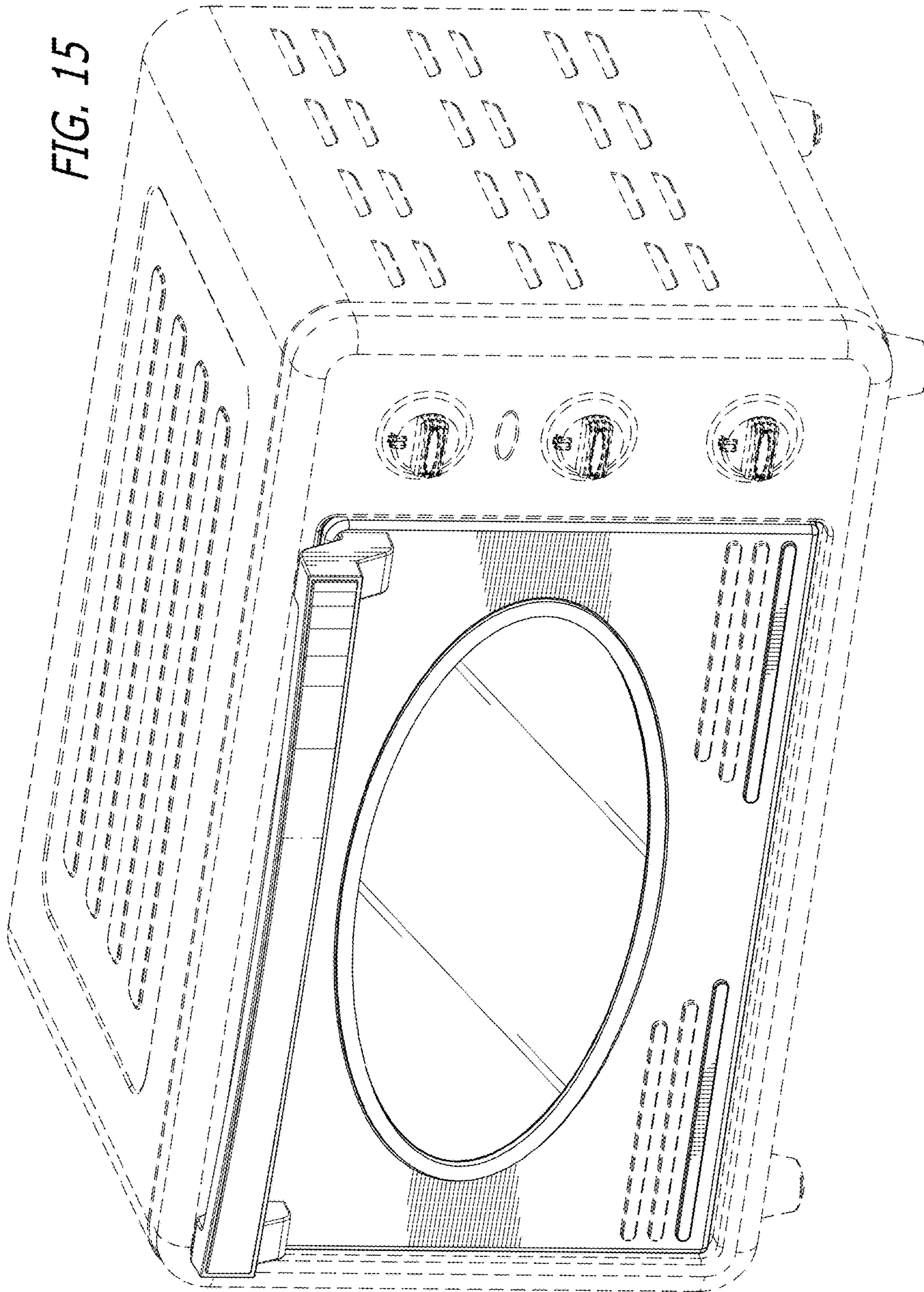


FIG. 14





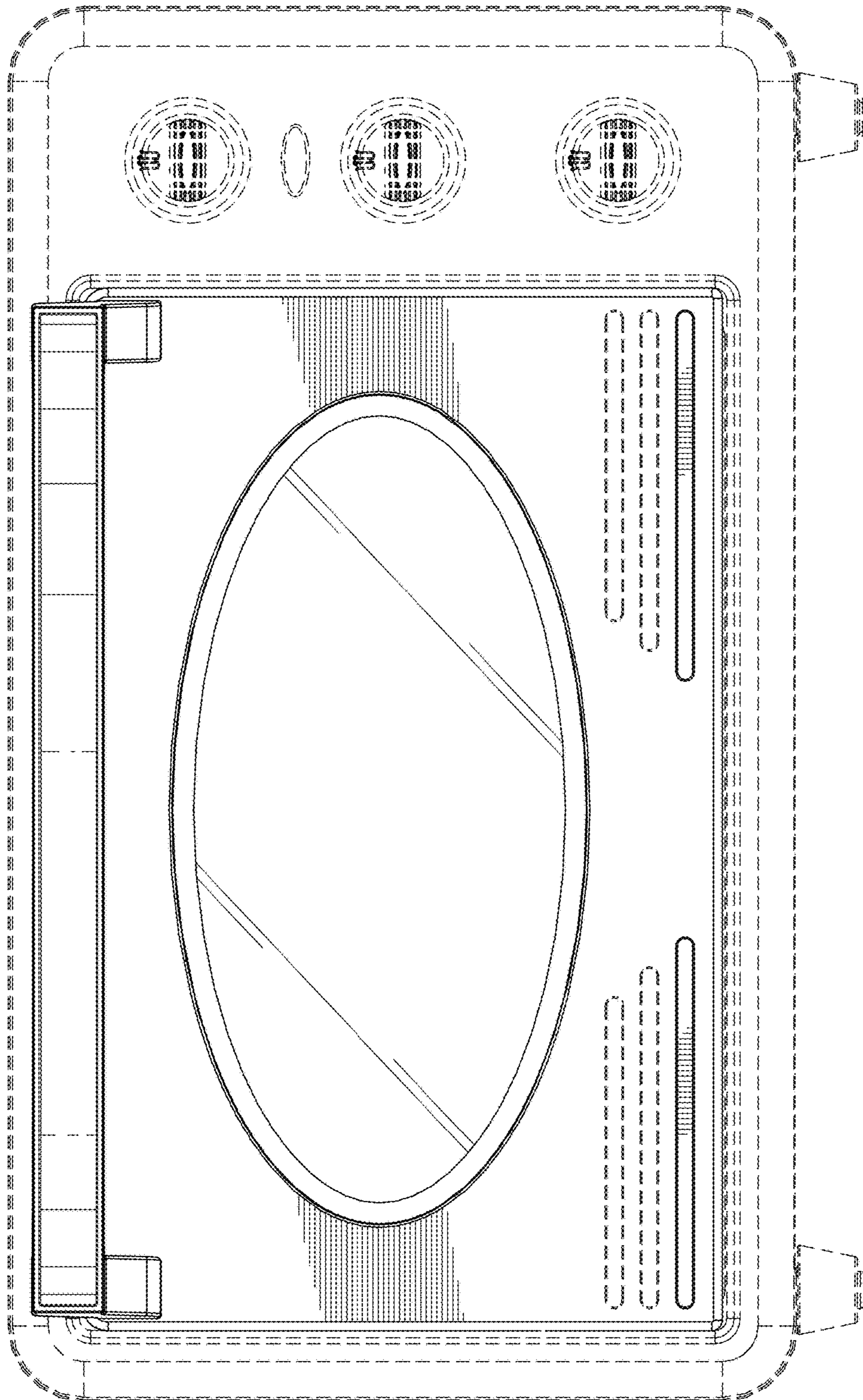


FIG. 16

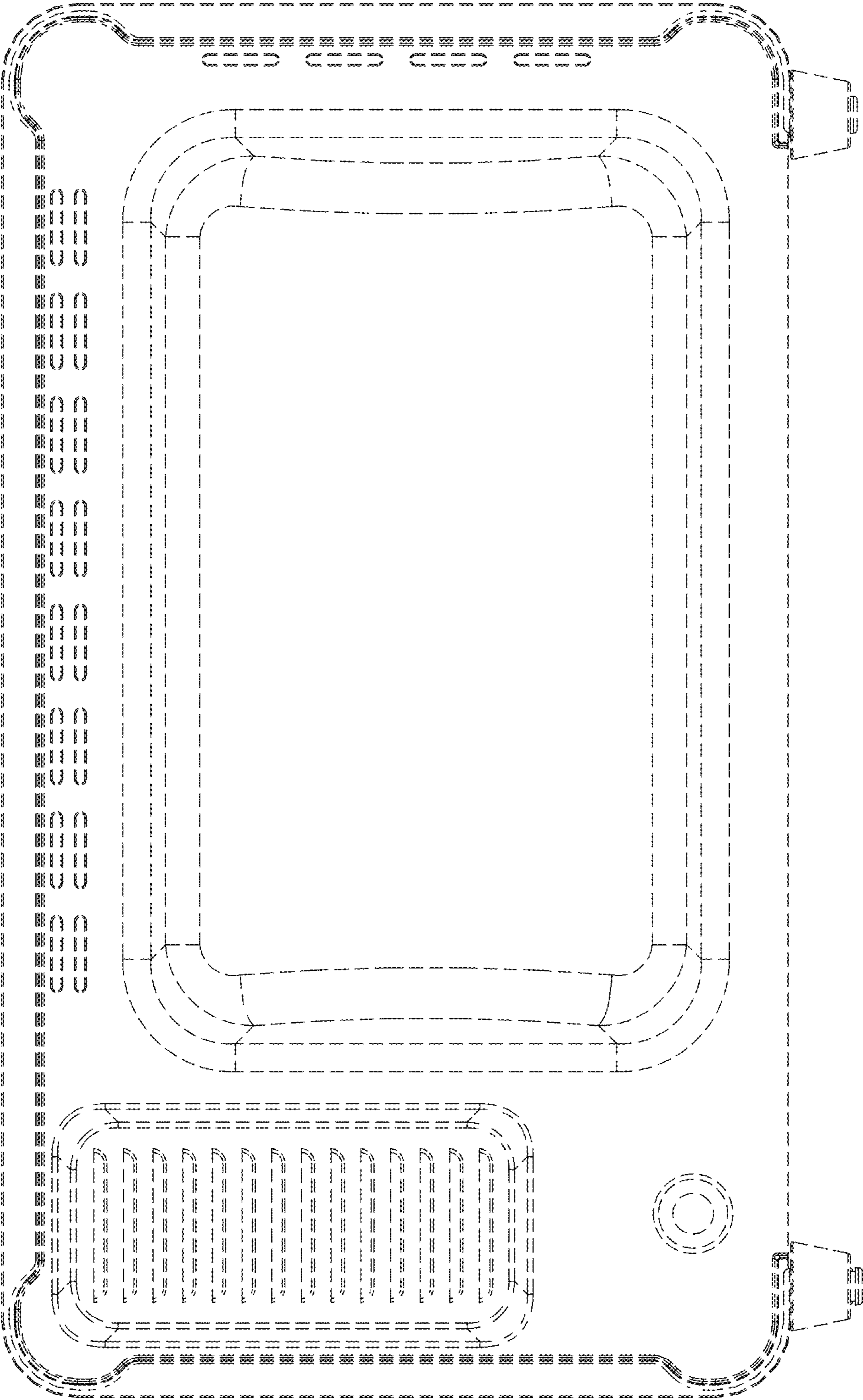


FIG. 17

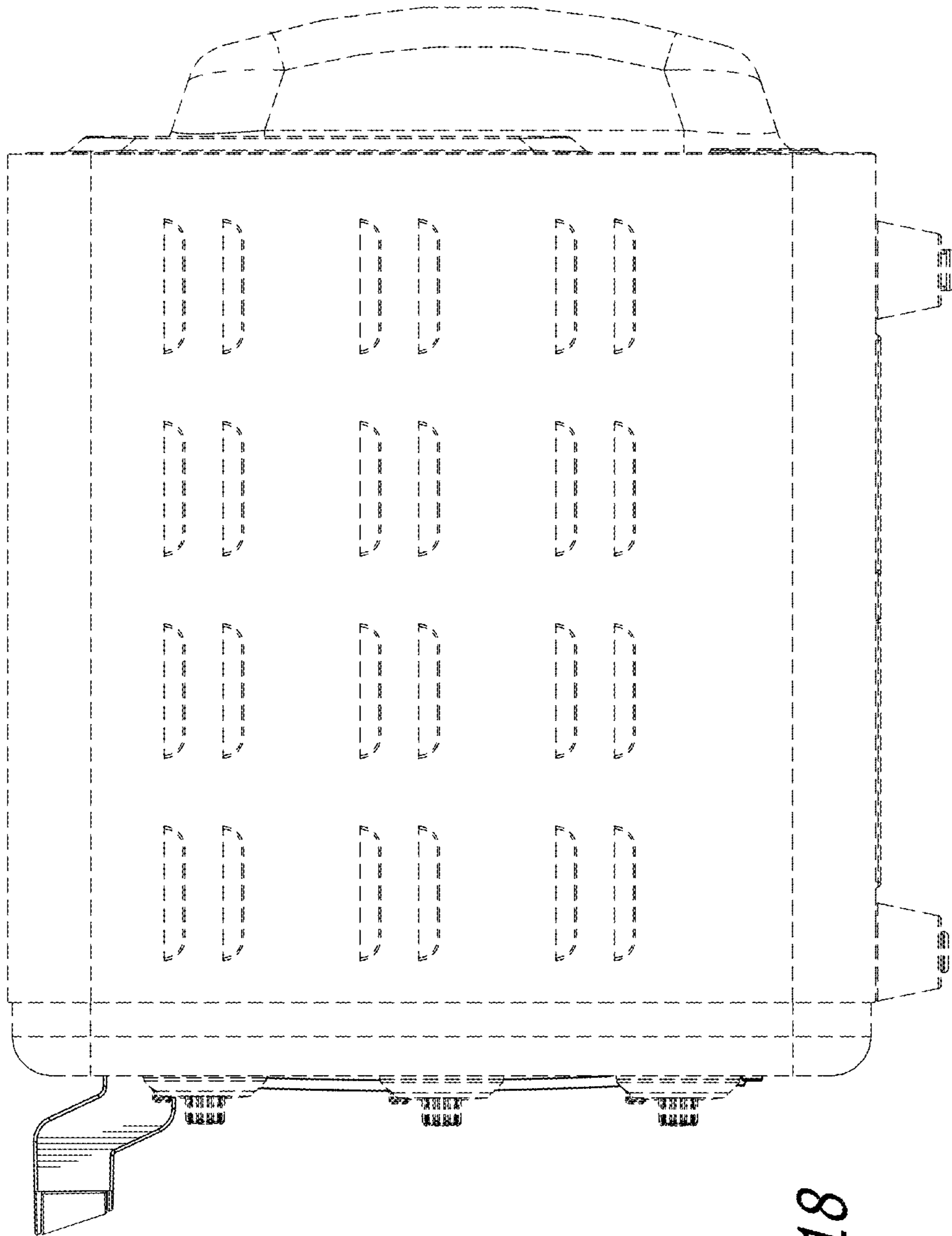


FIG. 18

FIG. 19

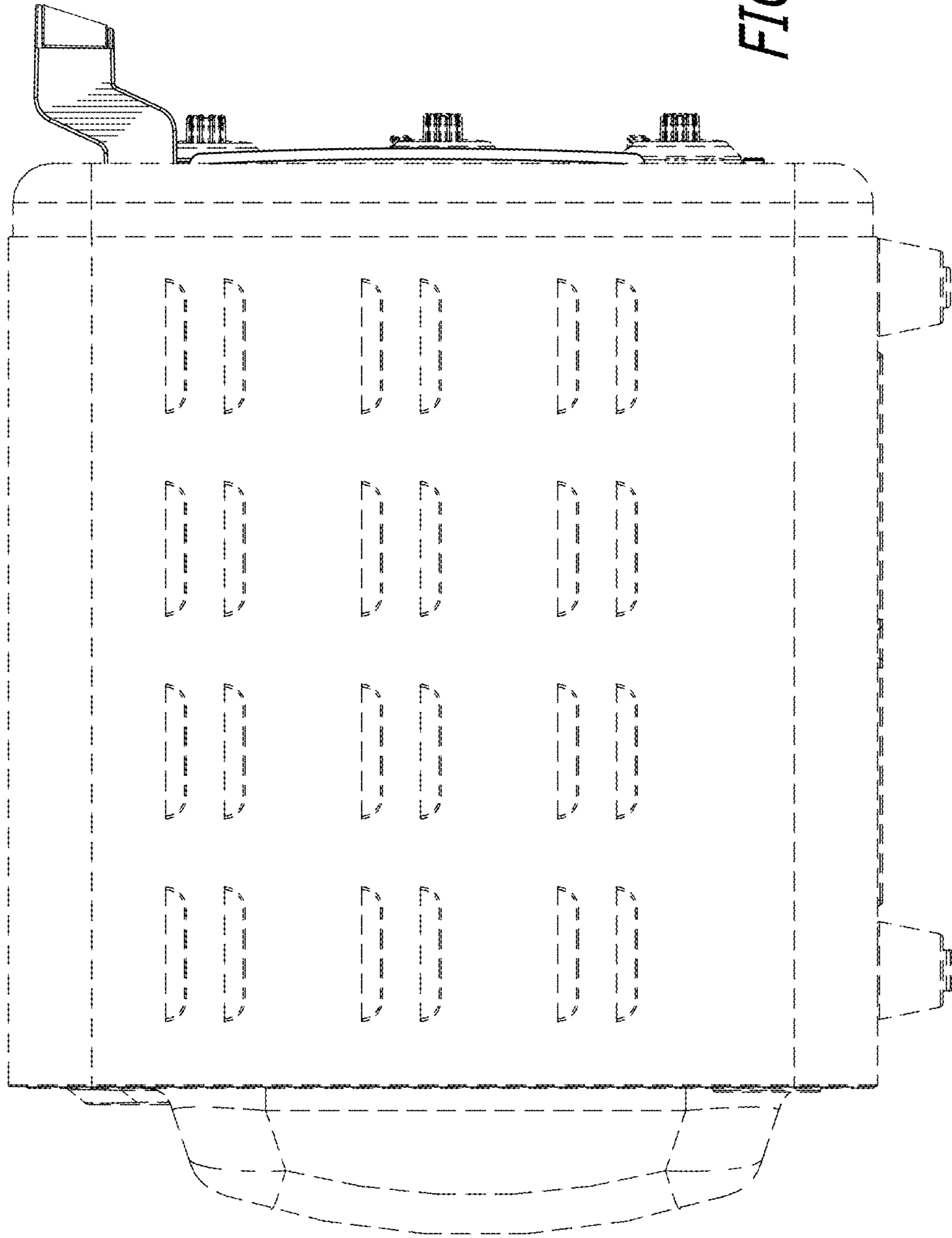


FIG. 20

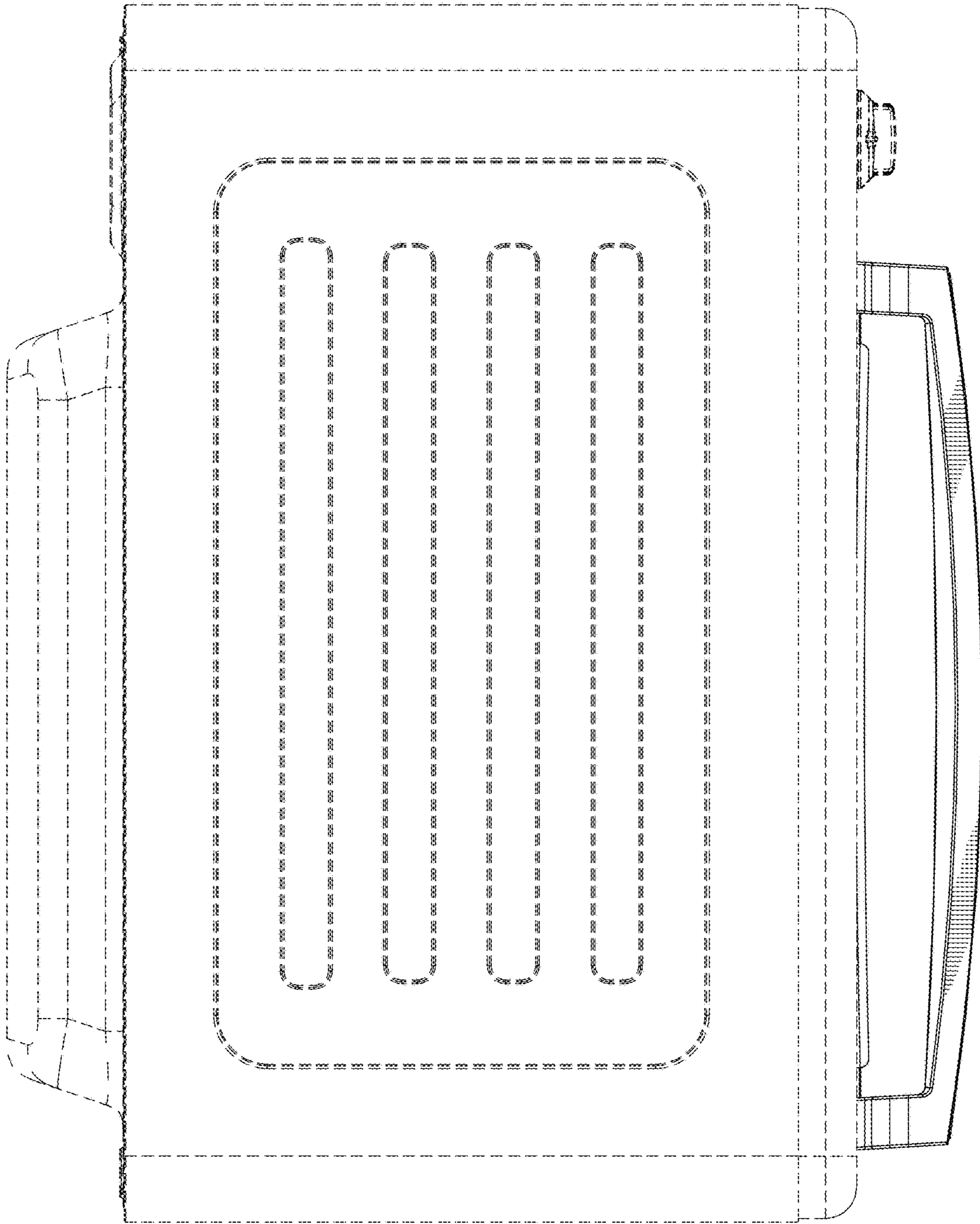


FIG. 21

