



US00D794990S

(12) **United States Design Patent** (10) **Patent No.:** **US D794,990 S**
Vazin (45) **Date of Patent:** **** Aug. 22, 2017**

(54) **CHRISTMAS TREE JUG**
 (71) Applicant: **AMERICAN MADE PLASTIC INC.**,
 Riverside, CA (US)
 (72) Inventor: **Moe Vazin**, Riverside, CA (US)
 (73) Assignee: **American Made Plastic Inc.**,
 Riverside, CA (US)

D264,015 S * 4/1982 Criveller D1/115
 D354,252 S * 1/1995 Smith D11/117
 D413,831 S * 9/1999 Grounds D11/118
 D438,068 S * 2/2001 Bounds, III D11/118
 D568,664 S * 5/2008 Gardner D7/301
 D597,780 S * 8/2009 Desrochers D7/301
 D644,557 S * 9/2011 Levit D11/118
 D711,178 S * 8/2014 Waugh D3/202
 D763,530 S * 8/2016 Hart D34/4

* cited by examiner

(**) Term: **15 Years**

Primary Examiner — Marianne Pandozzi

(21) Appl. No.: **29/564,271**

(74) *Attorney, Agent, or Firm* — Smyrski Law Group, A P.C.

(22) Filed: **May 11, 2016**

(51) **LOC (10) Cl.** **07-01**
 (52) **U.S. Cl.**
 USPC **D7/301**; D11/121; D11/118; D9/617;
 D9/659

(57) **CLAIM**

The ornamental design of Christmas tree jug, as shown and described.

(58) **Field of Classification Search**
 USPC D7/613, 506, 539, 301, 306, 313, 702;
 D20/3; D26/7; D11/121, 118, 64, 157;
 D9/617, 659, 644
 CPC A47G 33/06; F21V 33/0028; F21V 3/023;
 A63H 33/22
 See application file for complete search history.

DESCRIPTION

FIG. 1 is a perspective view of a Christmas tree jug showing my new design;
 FIG. 2 is a front elevation view of the Christmas tree jug;
 FIG. 3 is a rear elevation view of the Christmas tree jug;
 FIG. 4 is a right side elevation view of the Christmas tree jug;
 FIG. 5 is a left side elevation view of the Christmas tree jug;
 FIG. 6 is a top plan view of the Christmas tree jug; and,
 FIG. 7 is a bottom plan view of the Christmas tree jug.

(56) **References Cited**

U.S. PATENT DOCUMENTS

2,849,601 A * 8/1958 Walzer A47G 33/06
 248/363
 D232,947 S * 9/1974 Christiansen D11/118

1 Claim, 5 Drawing Sheets

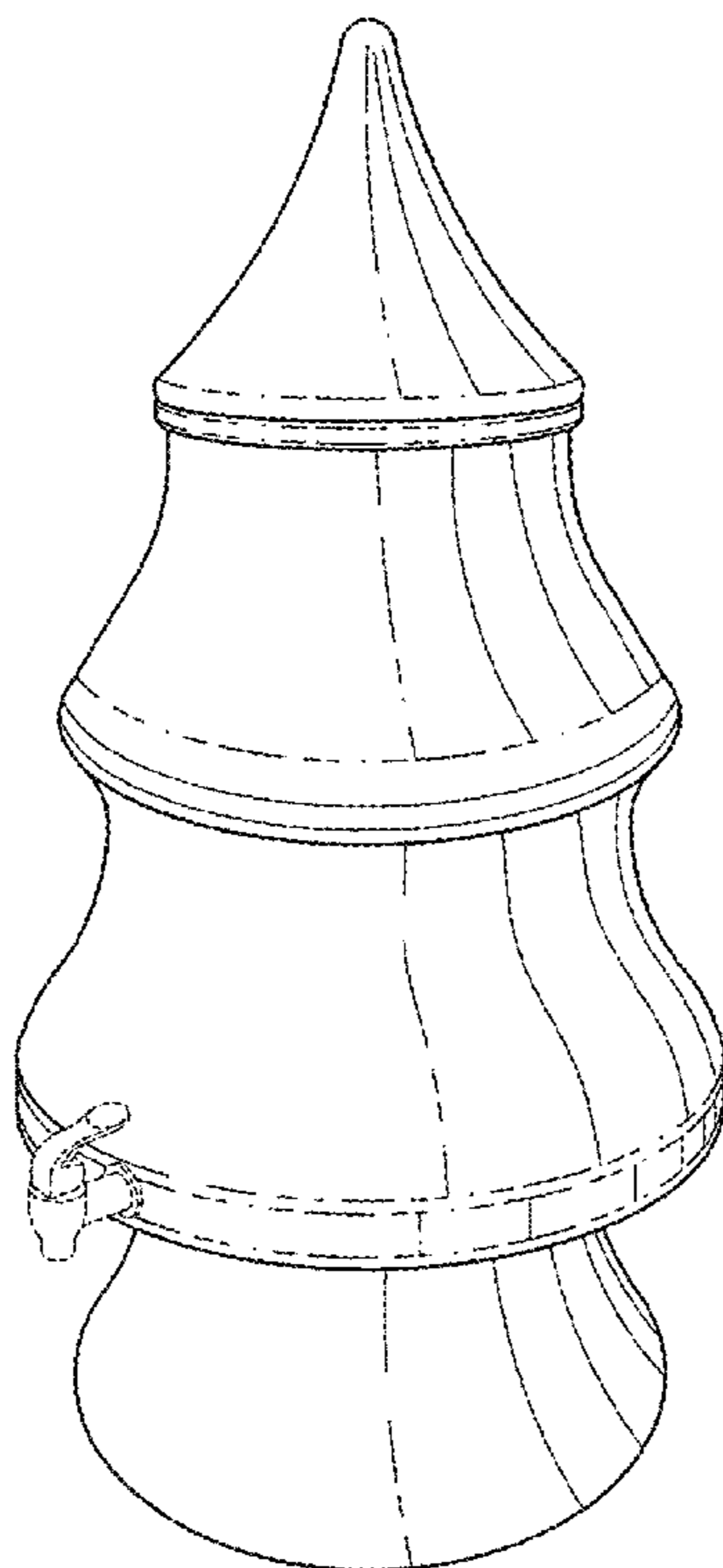
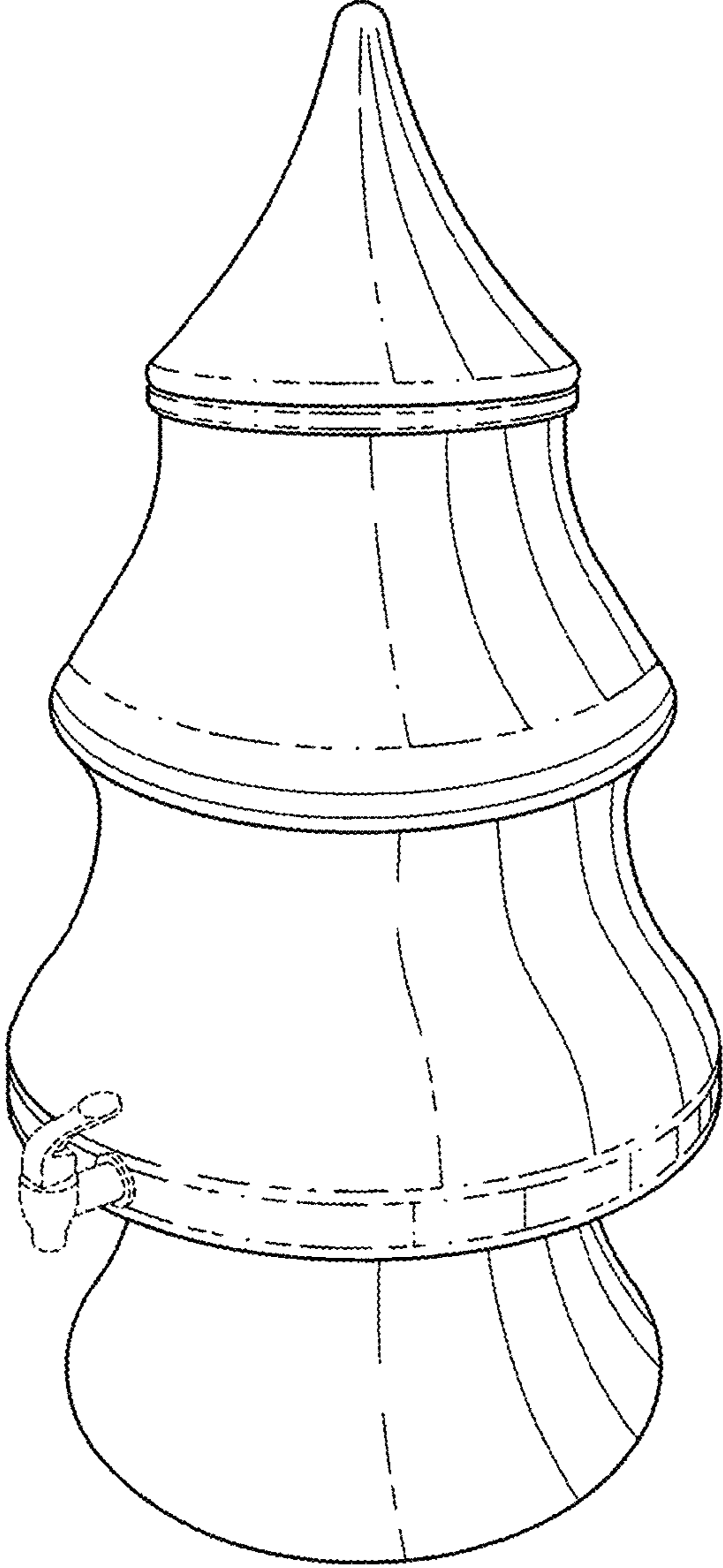


FIG. 1



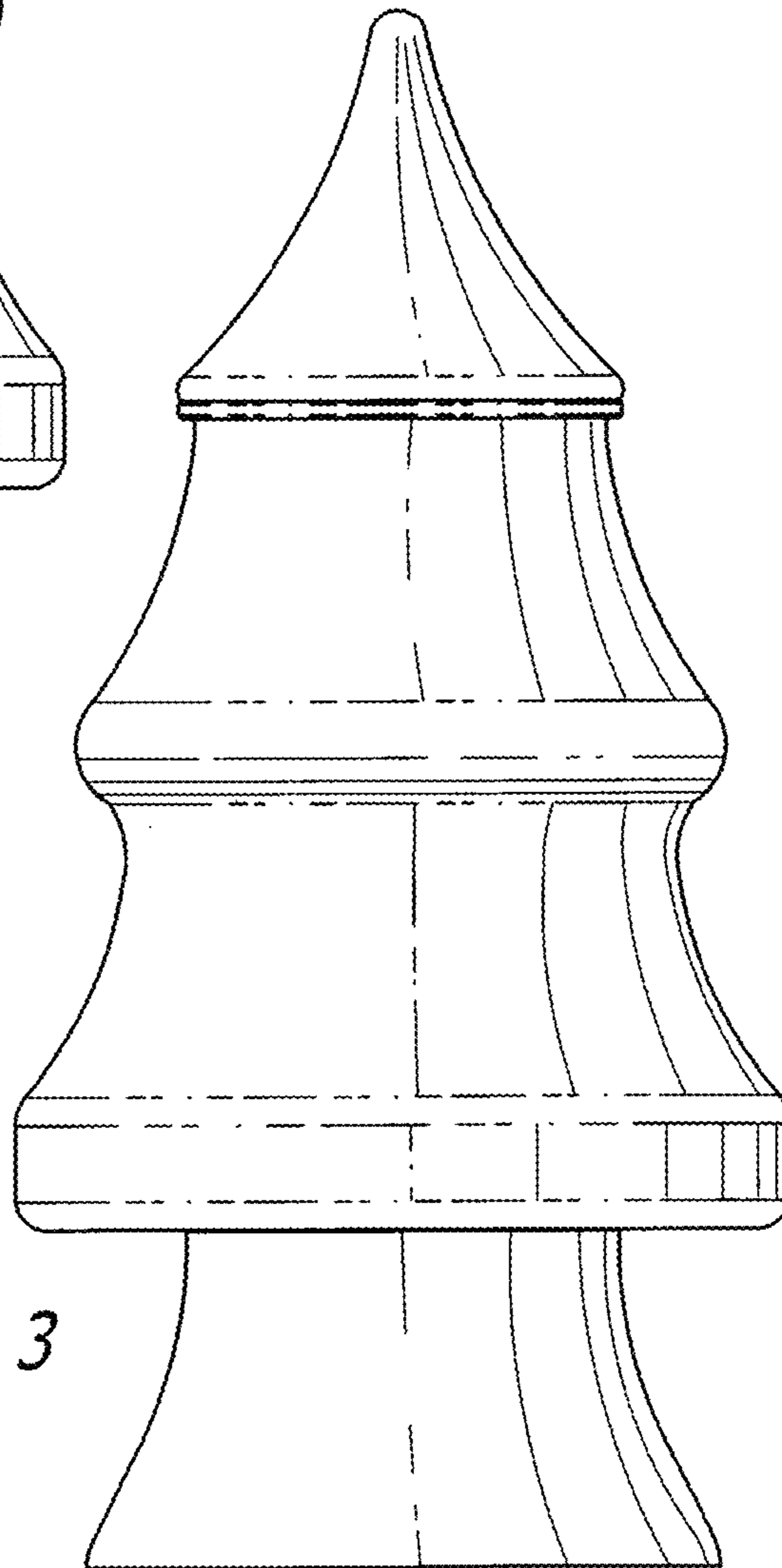
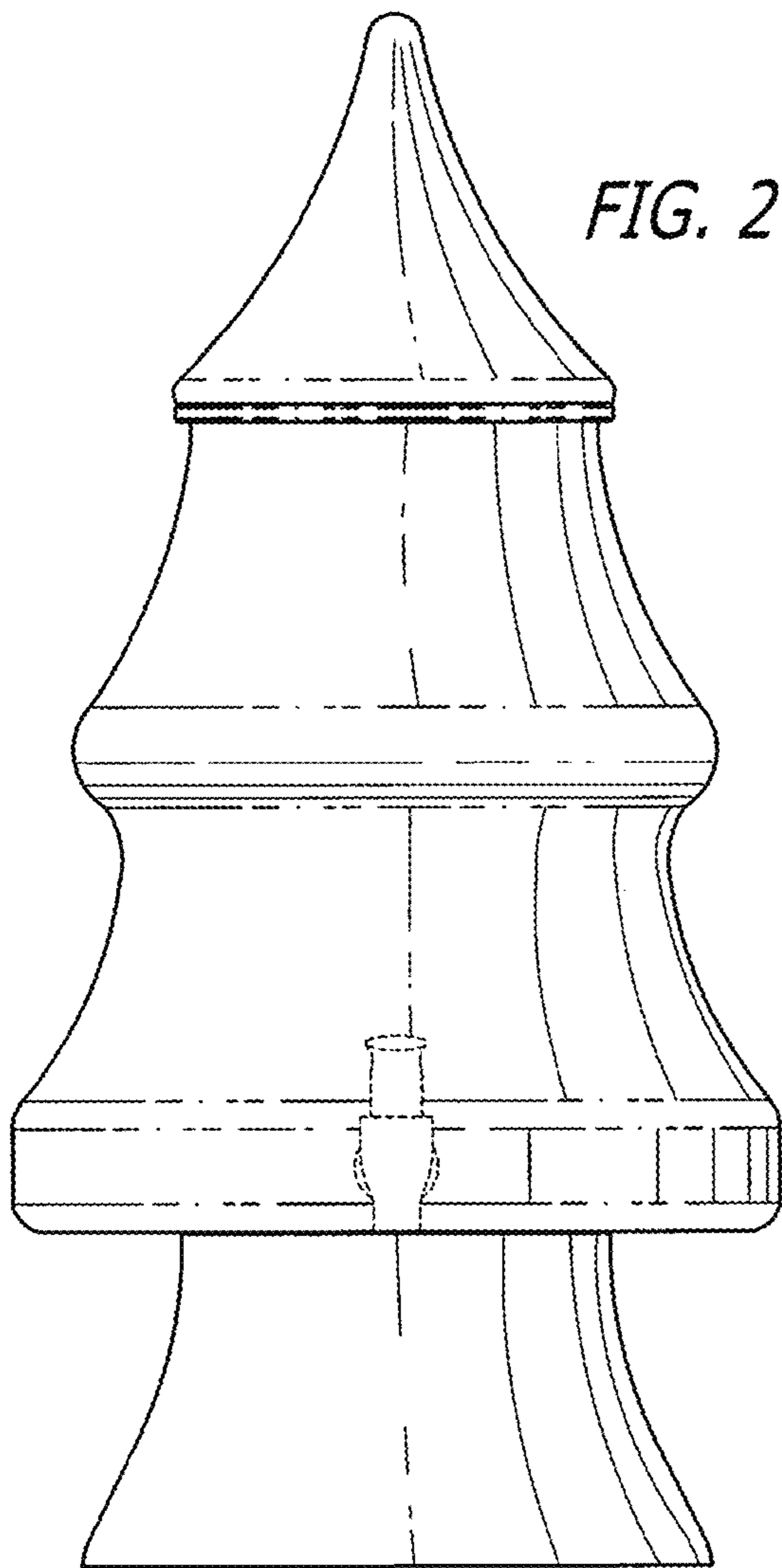
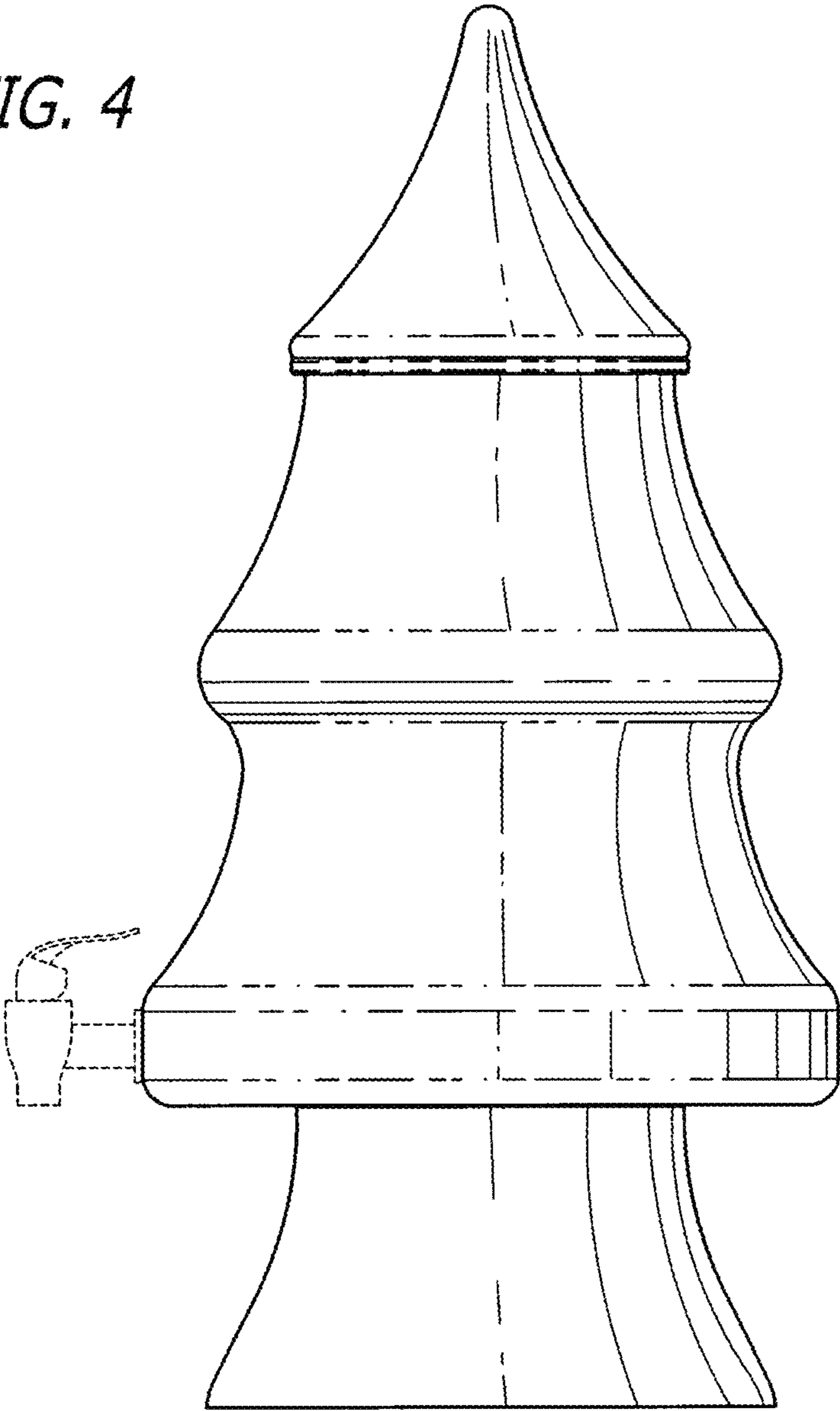


FIG. 4



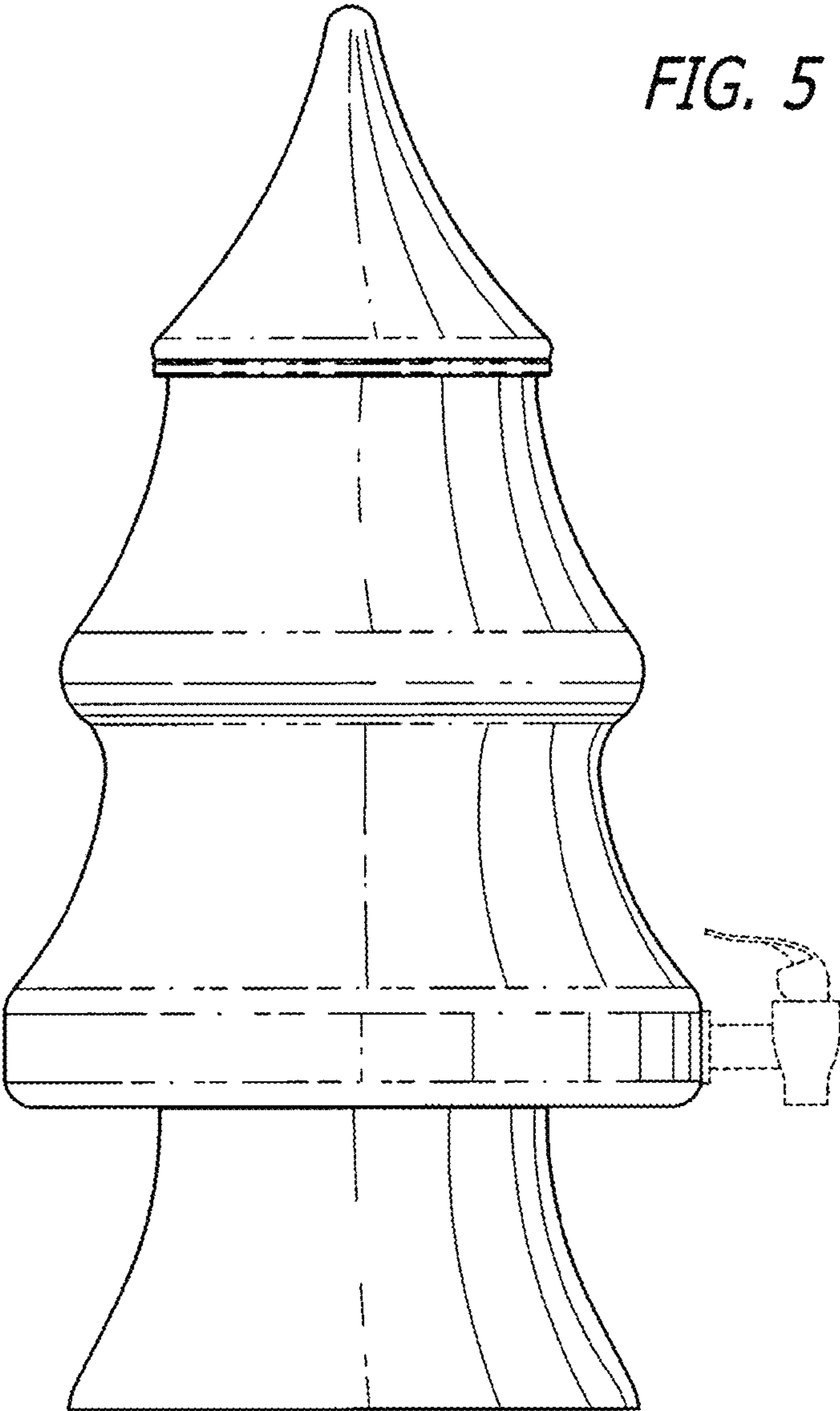


FIG. 6

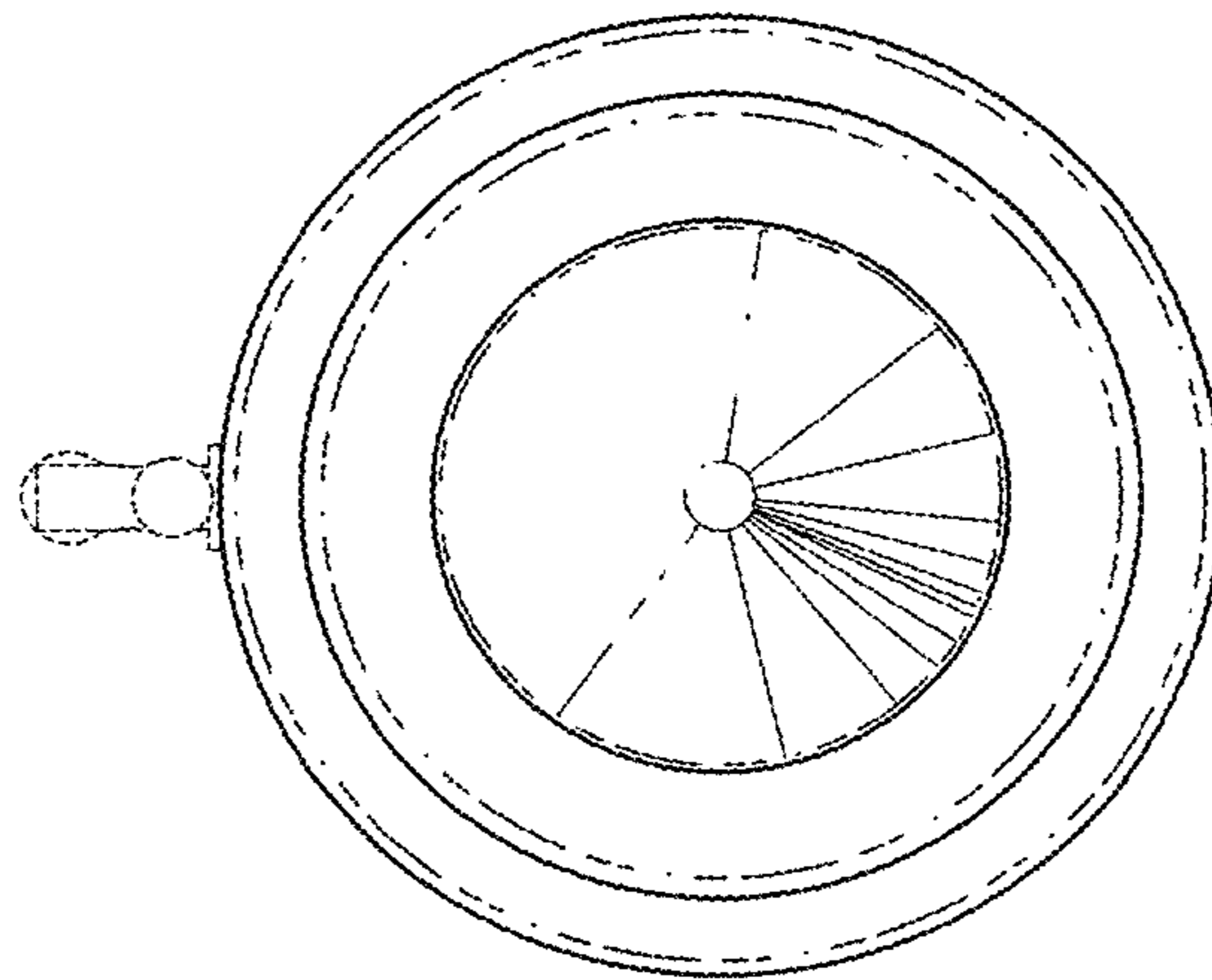


FIG. 7

