



US00D794988S

(12) **United States Design Patent**
Toh

(10) **Patent No.:** **US D794,988 S**

(45) **Date of Patent:** **** Aug. 22, 2017**

- (54) **HEADREST SUPPORT FRAME**
- (71) Applicant: **HTL Manufacturing Pte Ltd,**
Singapore (SG)
- (72) Inventor: **Chye Seng Toh,** Singapore (SG)
- (73) Assignee: **HTL MANUFACTURING PTE LTD,**
Singapore (SG)
- (**) Term: **15 Years**
- (21) Appl. No.: **29/586,944**
- (22) Filed: **Dec. 8, 2016**
- (51) **LOC (10) Cl.** **06-01**
- (52) **U.S. Cl.**
USPC **D6/716.5**
- (58) **Field of Classification Search**
USPC ... D6/334-336, 356, 367, 716, 716.1, 716.4,
D6/716.5
CPC B60N 2/48; B60N 2/4808; B60N 2/4802;
B60N 2/4805; B60N 2/4879; B60N 2/64;
B60N 2/4838; A47C 7/38
See application file for complete search history.

- 7,731,280 B2 * 6/2010 Niitsuma B60N 2/4838
297/216.12
- 7,758,114 B2 * 7/2010 Yokota B60N 2/4838
297/216.12
- 8,936,311 B2 * 1/2015 Corral Rodriguez B60N 2/48
297/216.12
- 9,282,827 B1 * 3/2016 Lu A47C 7/38

* cited by examiner

Primary Examiner — Mimoso De

(74) *Attorney, Agent, or Firm* — Troutman Sanders LLP;
Ryan A. Schneider; Chris N. Davis

(57) **CLAIM**

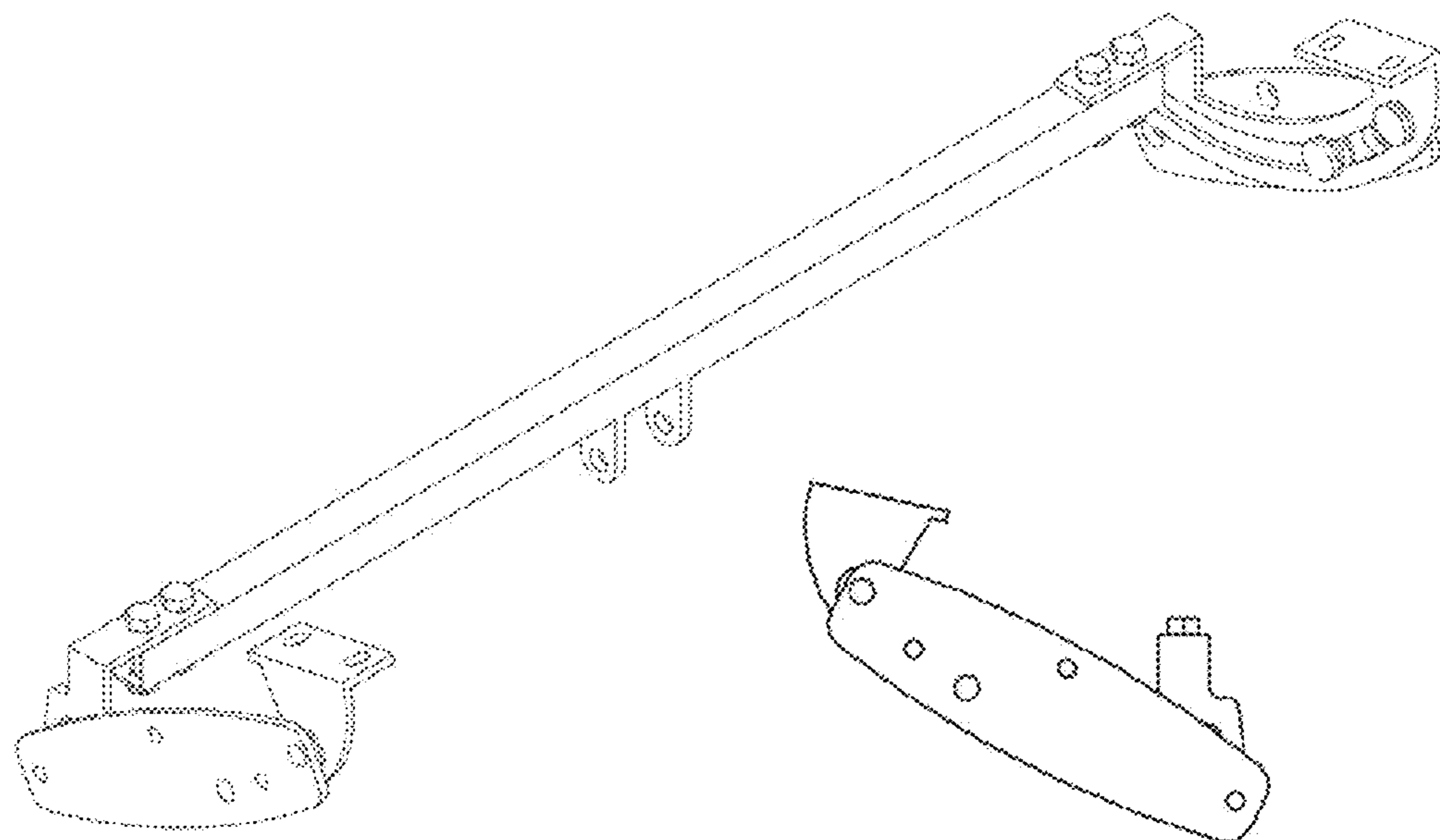
The ornamental design for a headrest support frame, as shown and described.

DESCRIPTION

FIG. 1 is a front perspective view of a headrest support frame of the present invention;
 FIG. 2 is back perspective view of the headrest support frame of FIG. 1;
 FIG. 3 is a front view of the headrest support frame of FIG. 1;
 FIG. 4 is a back view of the headrest support frame of FIG. 1;
 FIG. 5 is a left side view of the headrest support frame of FIG. 1;
 FIG. 6 is a right side view of the headrest support frame of FIG. 1;
 FIG. 7 is a top view of the headrest support frame of FIG. 1; and,
 FIG. 8 is a bottom view of the headrest support frame of FIG. 1.

1 Claim, 8 Drawing Sheets

- (56) **References Cited**
U.S. PATENT DOCUMENTS
- 4,304,439 A * 12/1981 Terada A47C 7/38
297/391
- 4,351,563 A * 9/1982 Hattori B60N 2/48
297/391
- 5,026,120 A * 6/1991 Takeda B60N 2/4808
297/406
- 5,052,754 A * 10/1991 Chinomi B60N 2/48
297/408
- 7,393,052 B2 * 7/2008 Humer B60N 2/4838
297/216.12



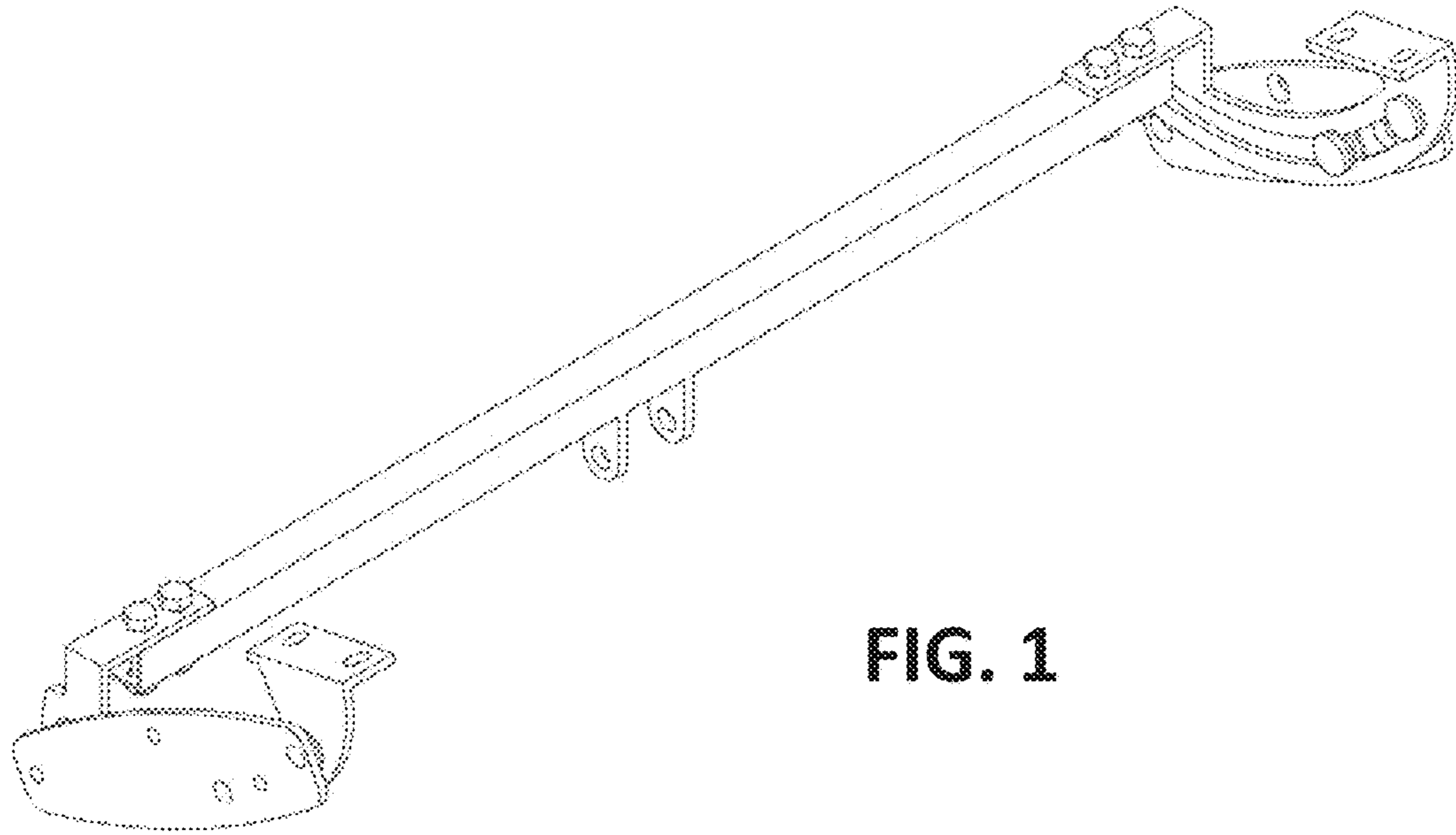


FIG. 1

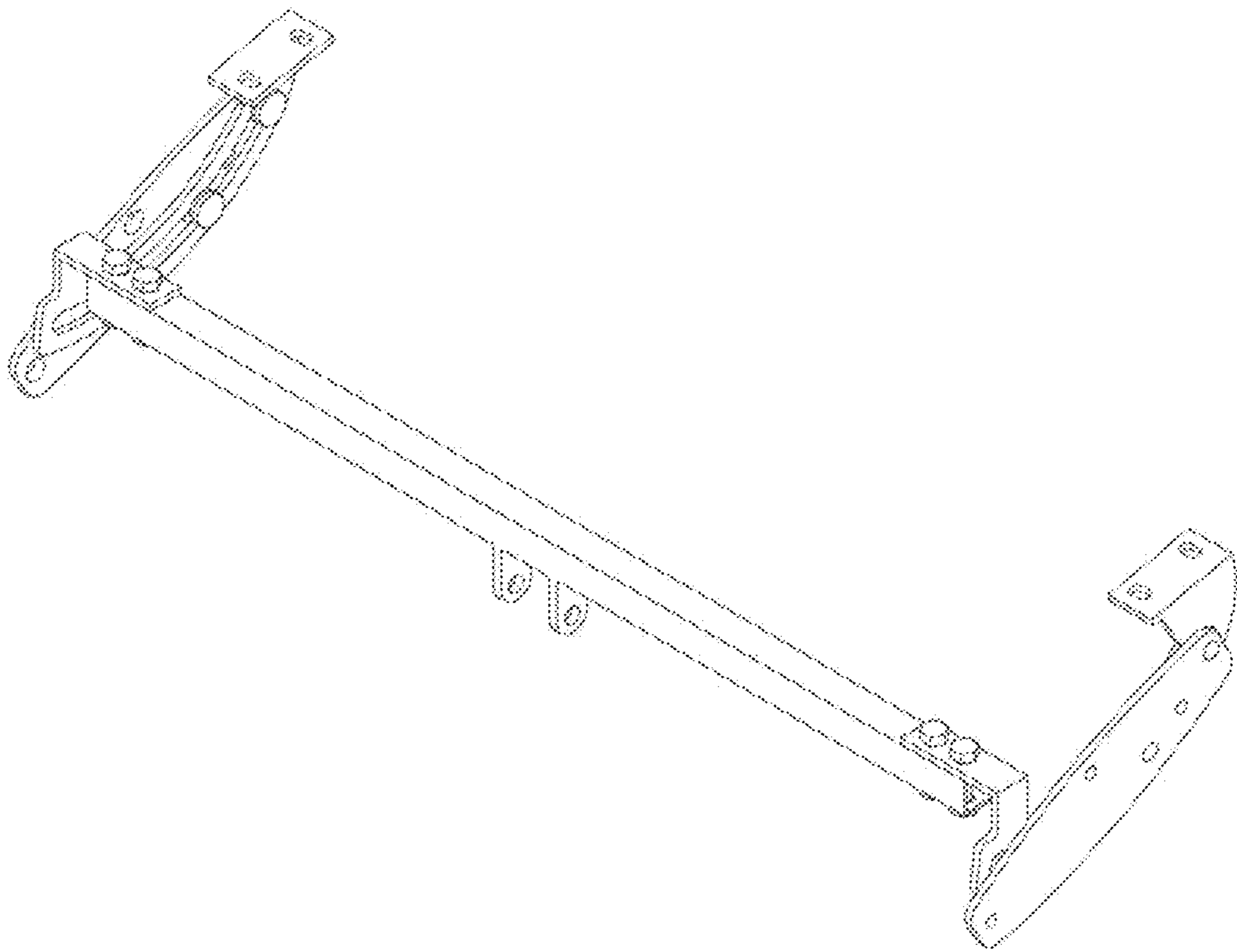


FIG. 2

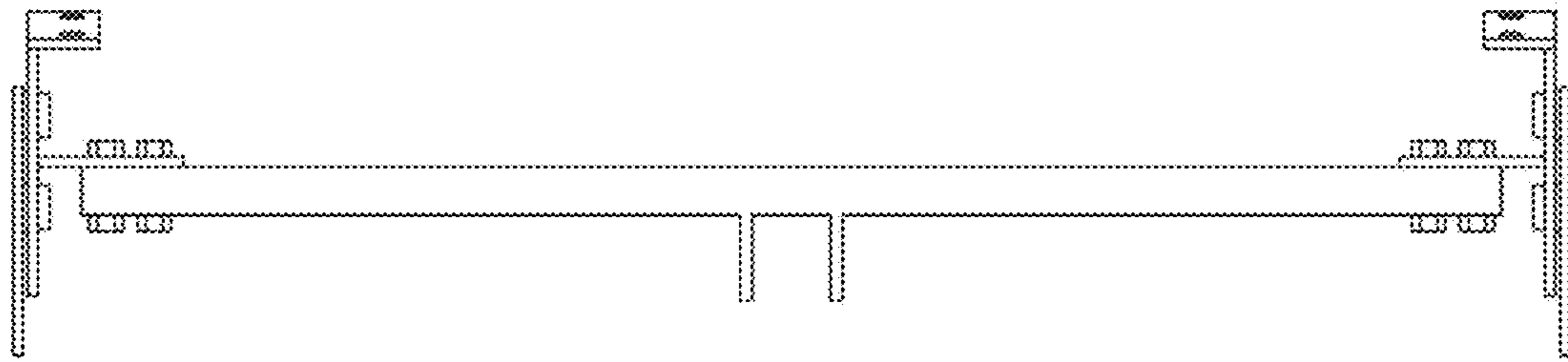


FIG. 3

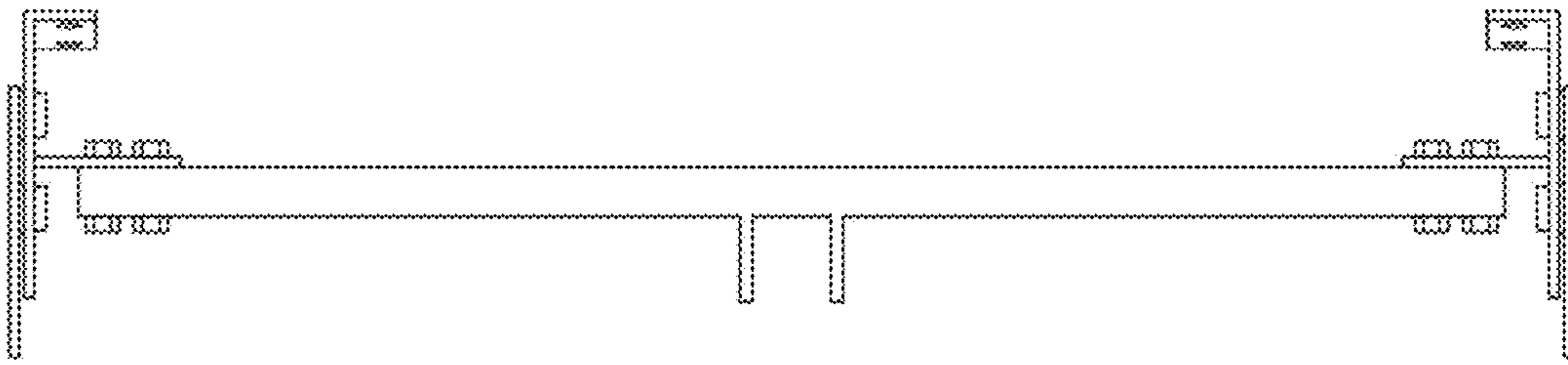


FIG. 4

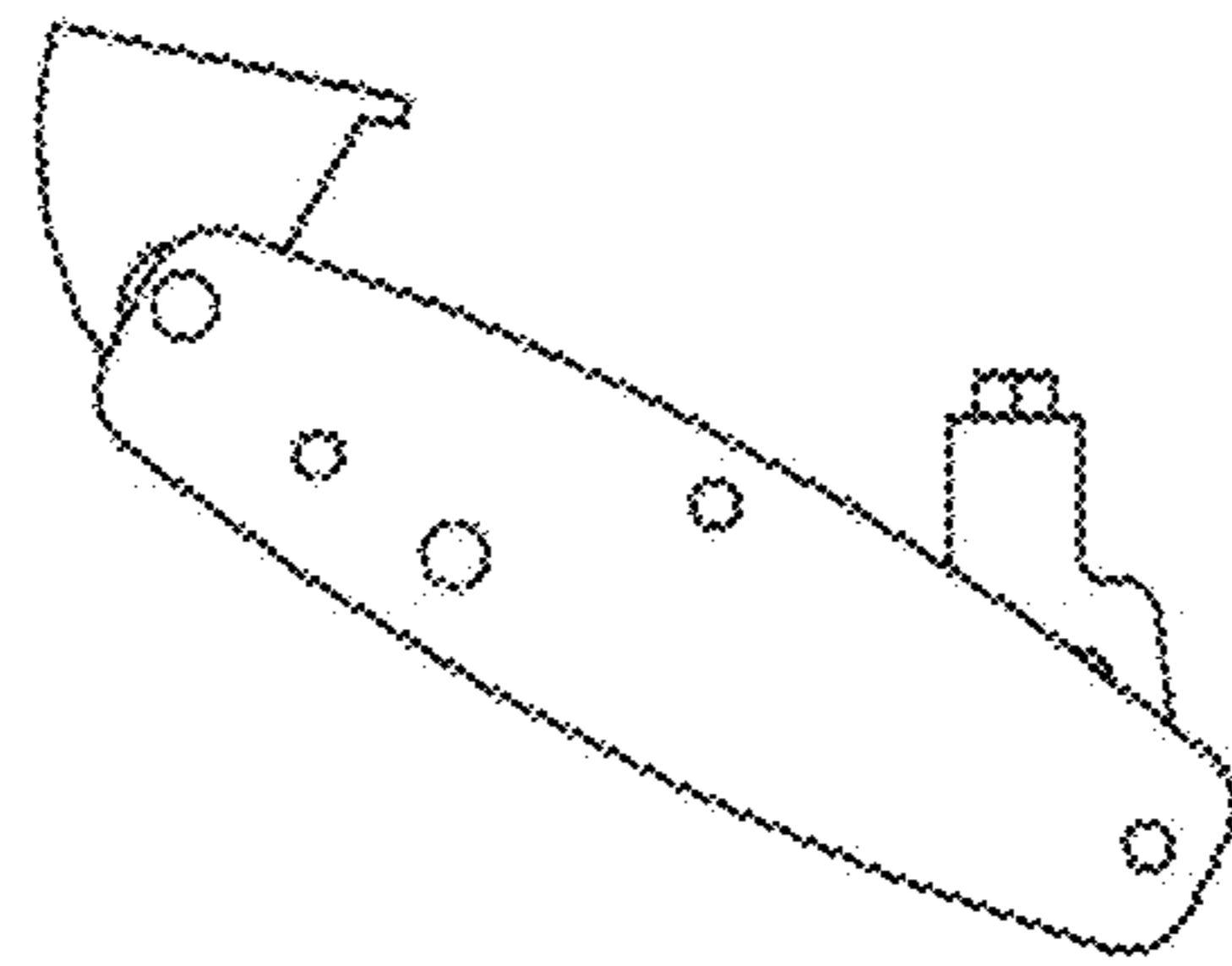


FIG. 5

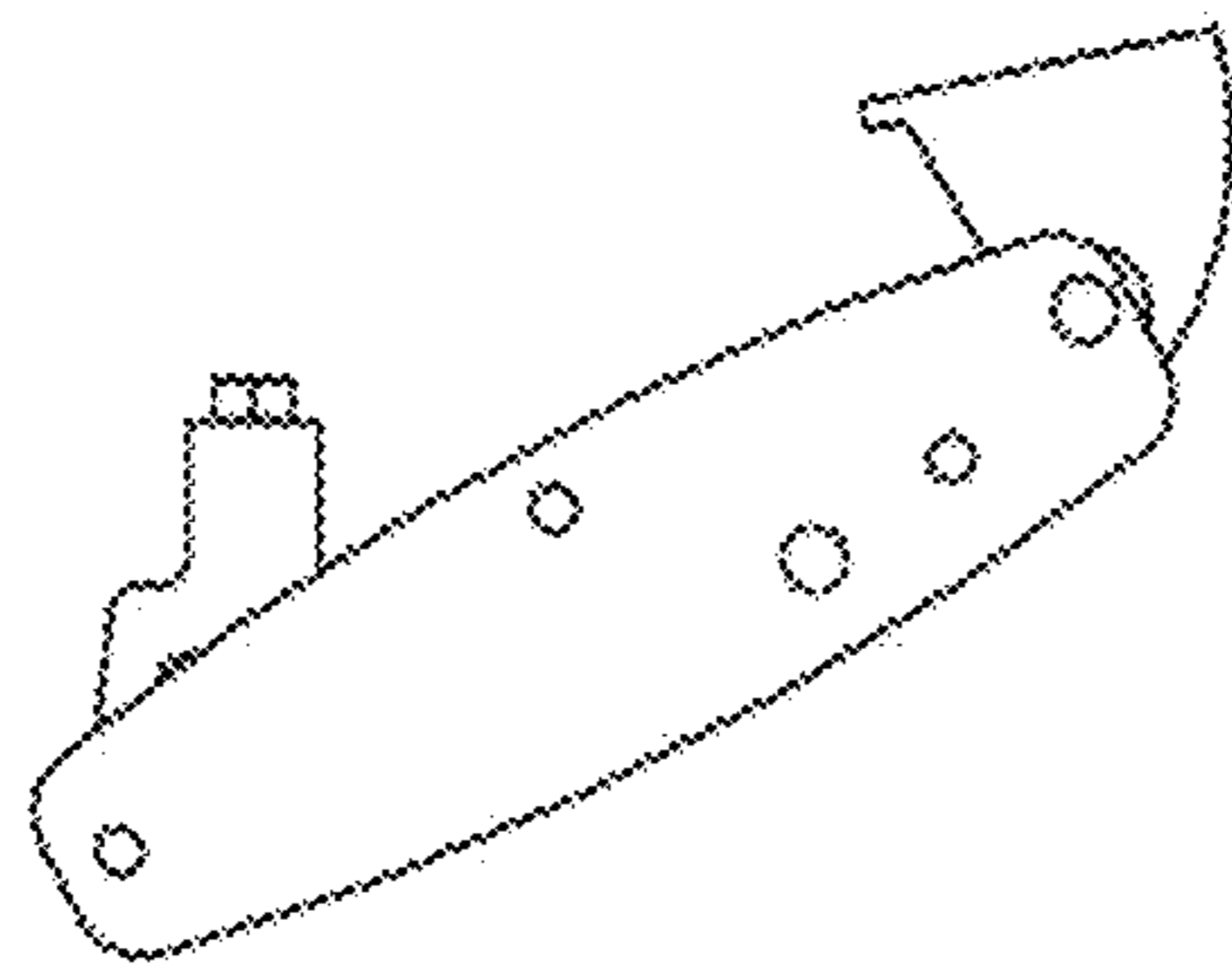


FIG. 6

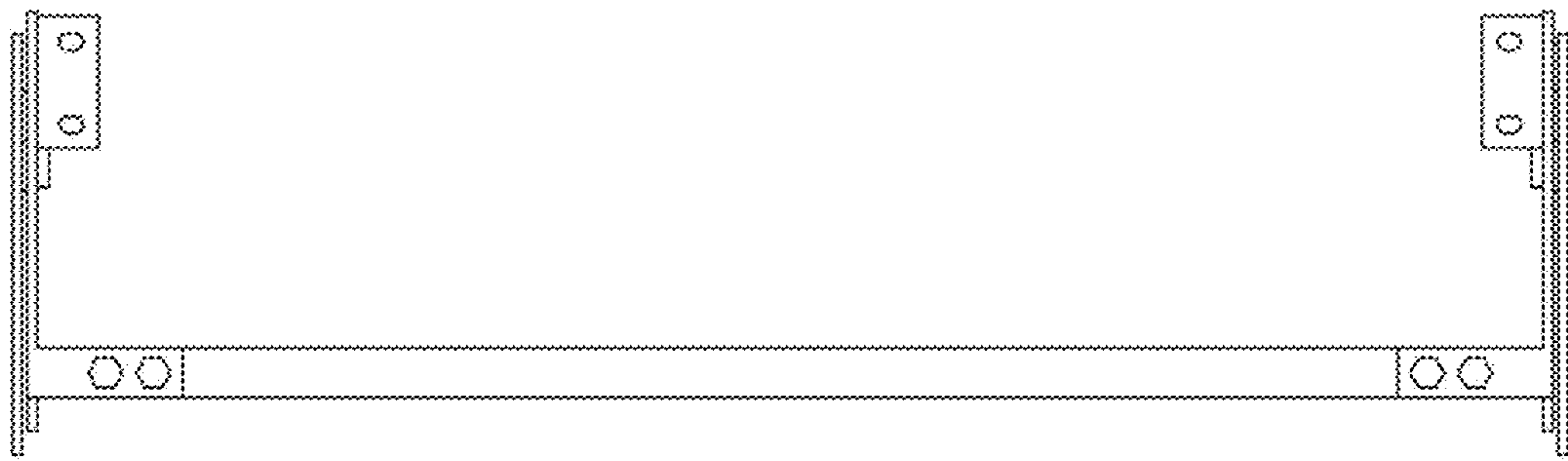


FIG. 7

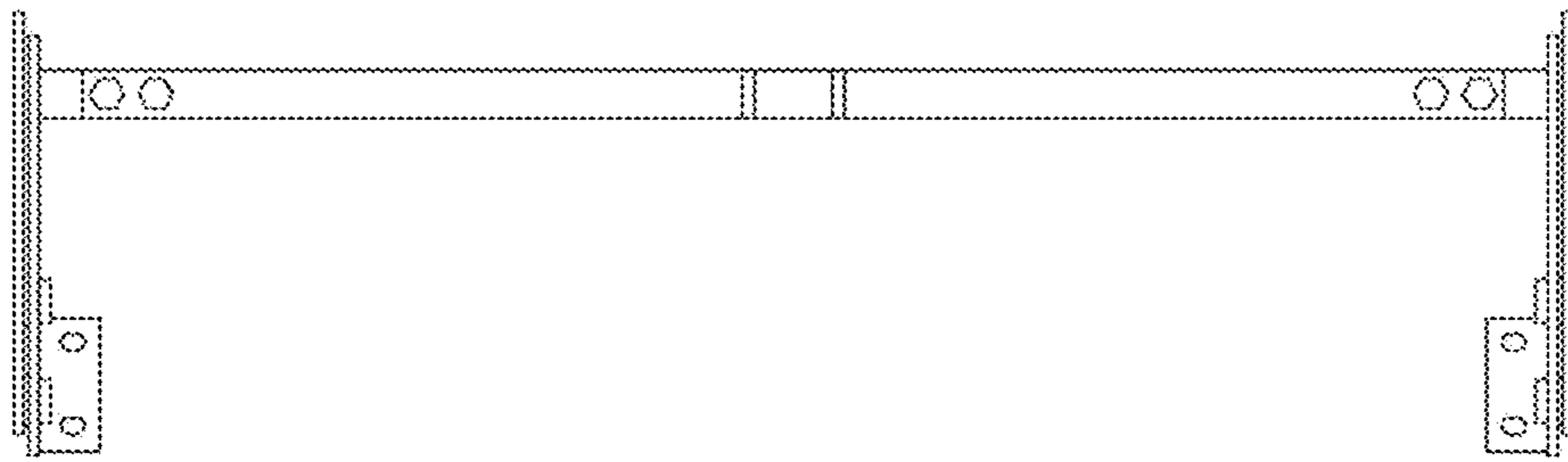


FIG. 8