



US00D794987S

(12) **United States Design Patent**  
**Toh**

(10) **Patent No.:** **US D794,987 S**

(45) **Date of Patent:** **\*\* Aug. 22, 2017**

- (54) **HEADREST SUPPORT FRAME**
- (71) Applicant: **HTL Manufacturing Pte Ltd,**  
Singapore (SG)
- (72) Inventor: **Chye Seng Toh,** Singapore (SG)
- (73) Assignee: **HTL MANUFACTURING PTE LTD,**  
Singapore (SG)
- (\*\*) Term: **15 Years**
- (21) Appl. No.: **29/569,526**
- (22) Filed: **Jun. 28, 2016**
- (51) **LOC (10) Cl.** ..... **06-01**
- (52) **U.S. Cl.**  
USPC ..... **D6/716.5**
- (58) **Field of Classification Search**  
USPC ... D6/334-336, 356, 367, 716, 716.1, 716.4,  
D6/716.5  
CPC ..... B60N 2/48; B60N 2/4808; B60N 2/4802;  
B60N 2/4805; B60N 2/4879; B60N 2/64;  
B60N 2/4838; A47C 7/38  
See application file for complete search history.

- 7,731,280 B2 \* 6/2010 Niitsuma ..... B60N 2/4838  
297/216.12
- 7,758,114 B2 \* 7/2010 Yokota ..... B60N 2/4838  
297/216.12
- 8,936,311 B2 \* 1/2015 Corral Rodriguez .... B60N 2/48  
297/216.12
- 9,282,827 B1 \* 3/2016 Lu ..... A47C 7/38

\* cited by examiner

*Primary Examiner* — Mimoso De

(74) *Attorney, Agent, or Firm* — Troutman Sanders LLP;  
Ryan A. Schneider; Chris N. Davis

(57) **CLAIM**

The ornamental design for a headrest support frame, as shown and described.

**DESCRIPTION**

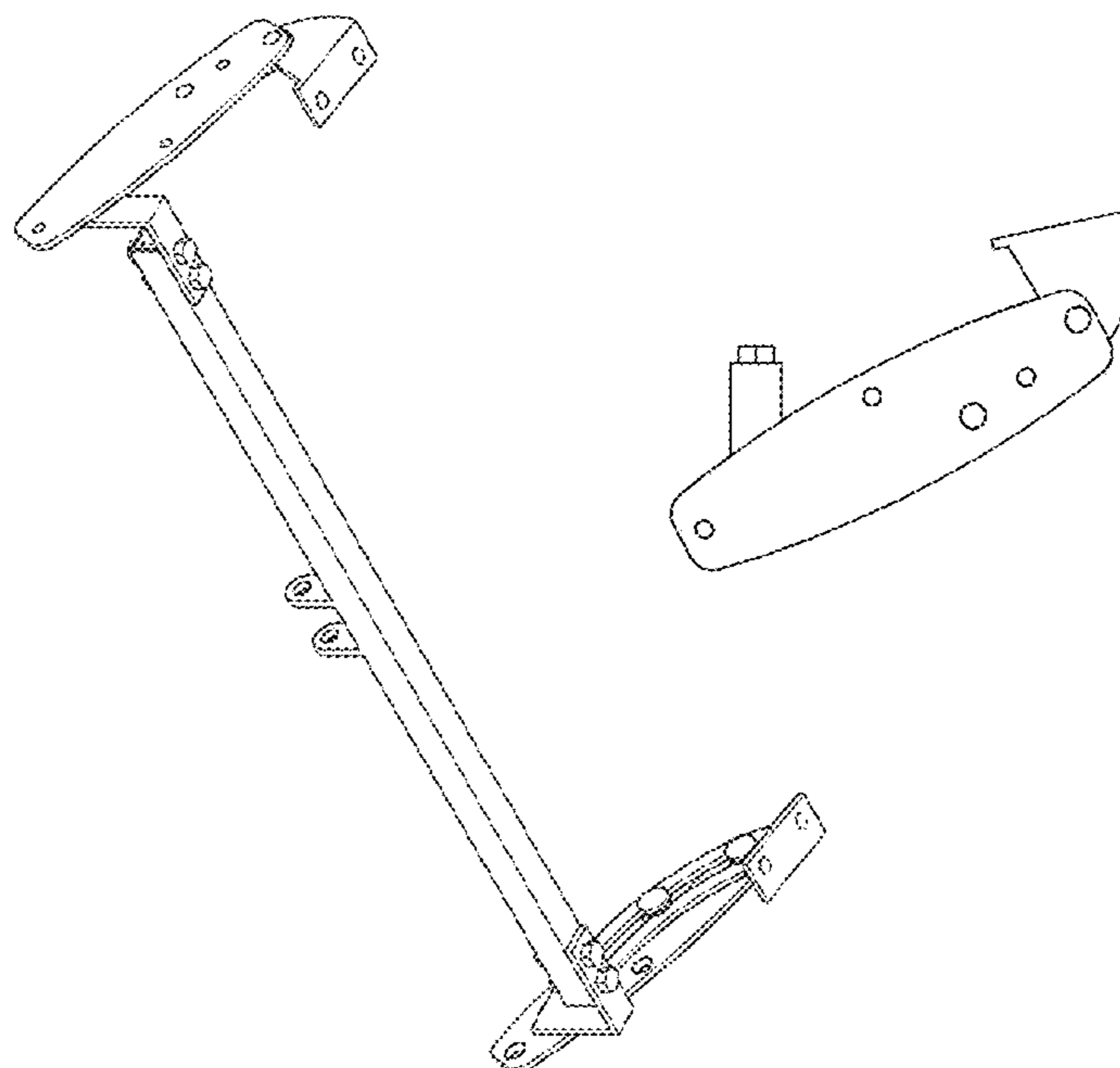
FIG. 1 is a front perspective view of a headrest support frame of the present invention;  
 FIG. 2 is back perspective view of the headrest support frame of FIG. 1;  
 FIG. 3 is a back view of the headrest support frame of FIG. 1;  
 FIG. 4 is a front view of the headrest support frame of FIG. 1;  
 FIG. 5 is a top view of the headrest support frame of FIG. 1;  
 FIG. 6 is a bottom view of the headrest support frame of FIG. 1;  
 FIG. 7 is a left side view of the headrest support frame of FIG. 1; and,  
 FIG. 8 is a right side view of the headrest support frame of FIG. 1.

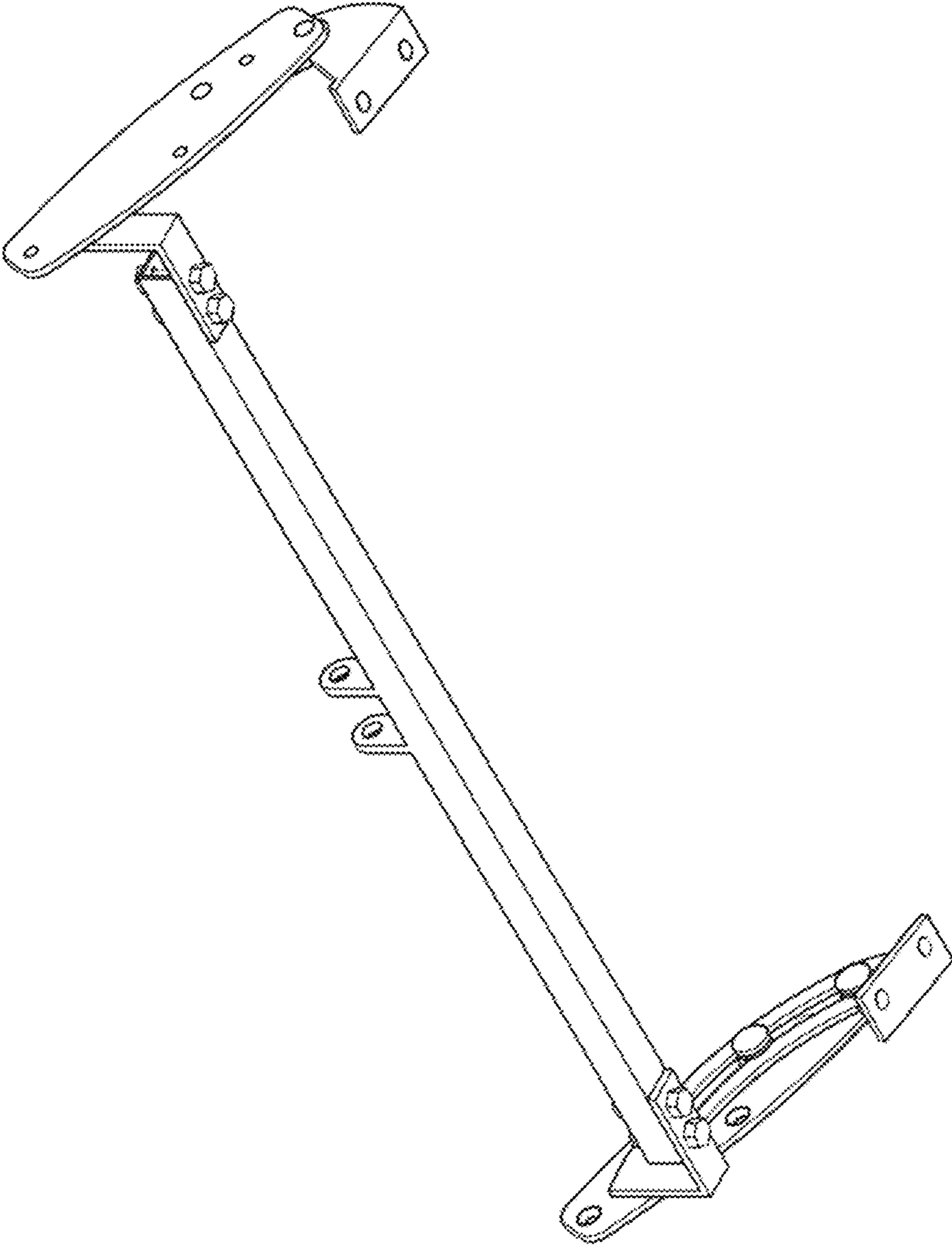
**1 Claim, 8 Drawing Sheets**

(56) **References Cited**

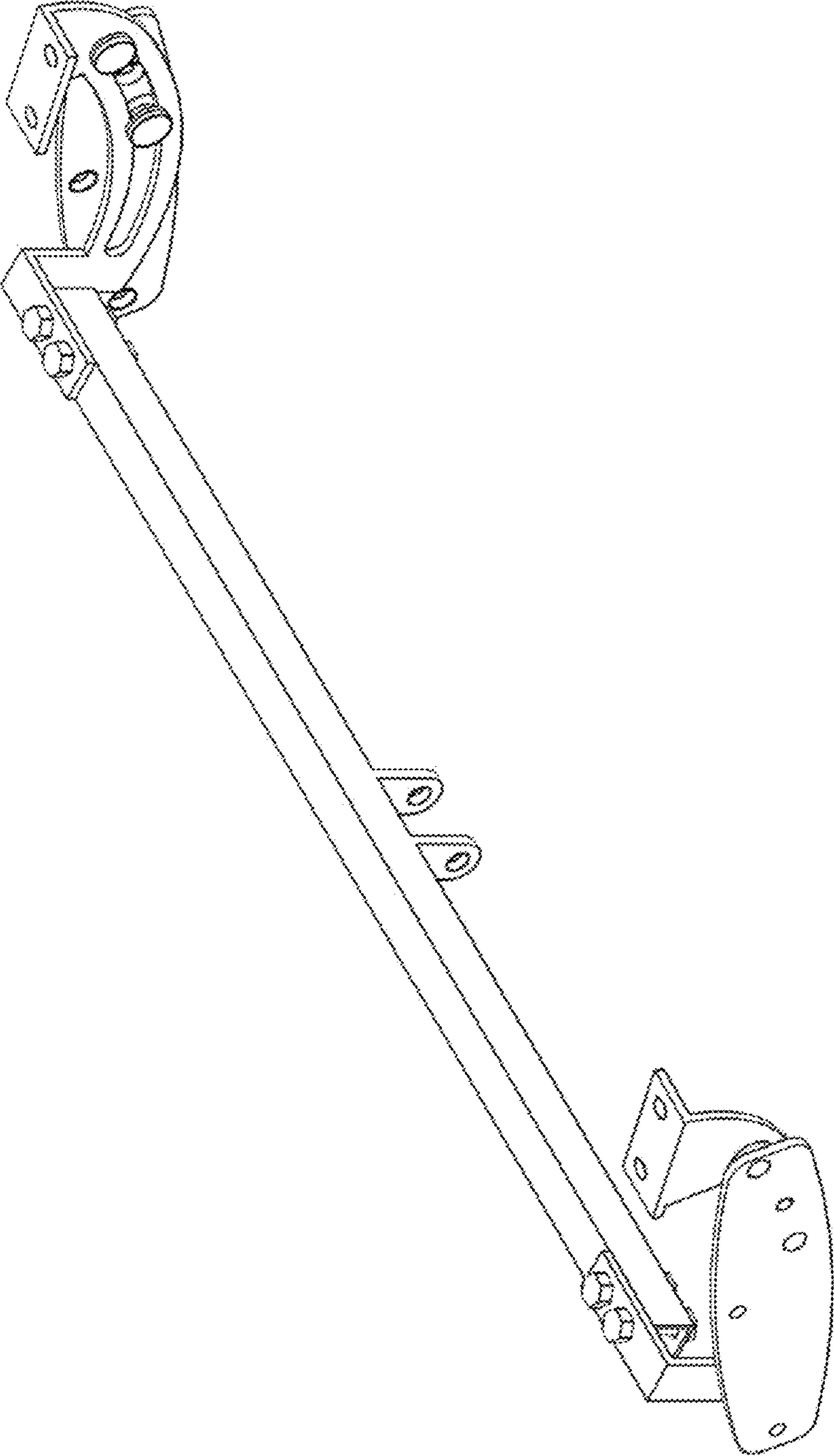
**U.S. PATENT DOCUMENTS**

- 4,304,439 A \* 12/1981 Terada ..... A47C 7/38  
297/391
- 4,351,563 A \* 9/1982 Hattori ..... B60N 2/48  
297/391
- 5,026,120 A \* 6/1991 Takeda ..... B60N 2/4808  
297/406
- 5,052,754 A \* 10/1991 Chinomi ..... B60N 2/48  
297/408
- 7,393,052 B2 \* 7/2008 Humer ..... B60N 2/4838  
297/216.12

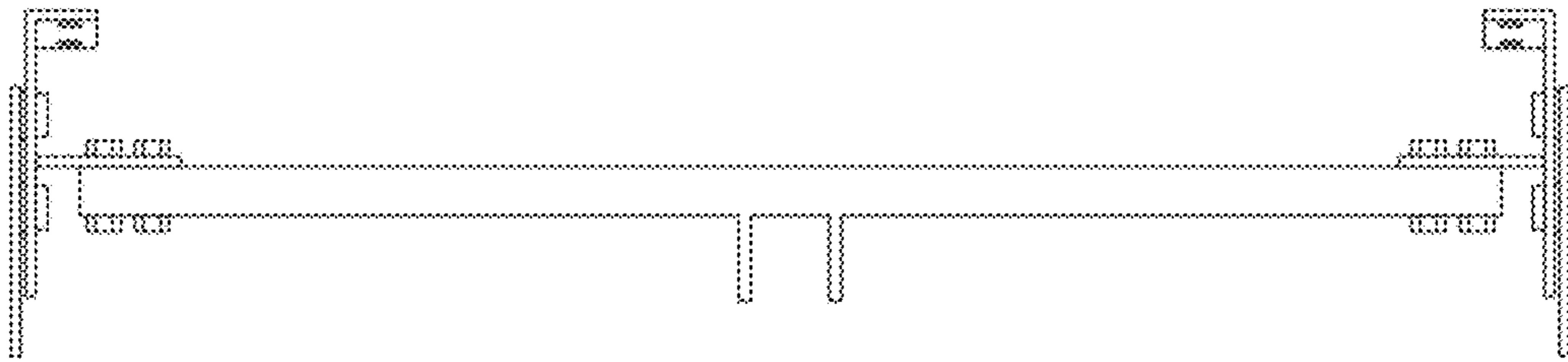




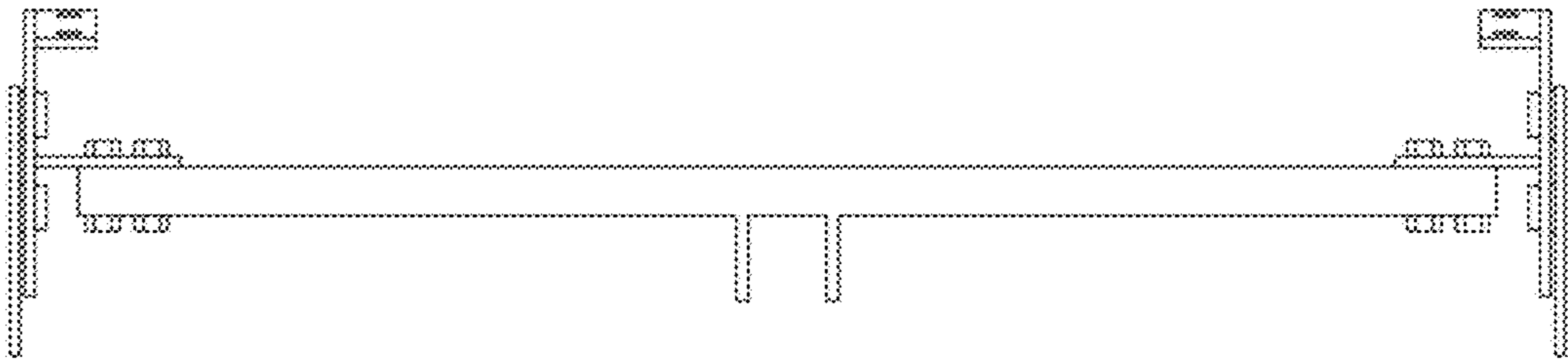
**FIG. 1**



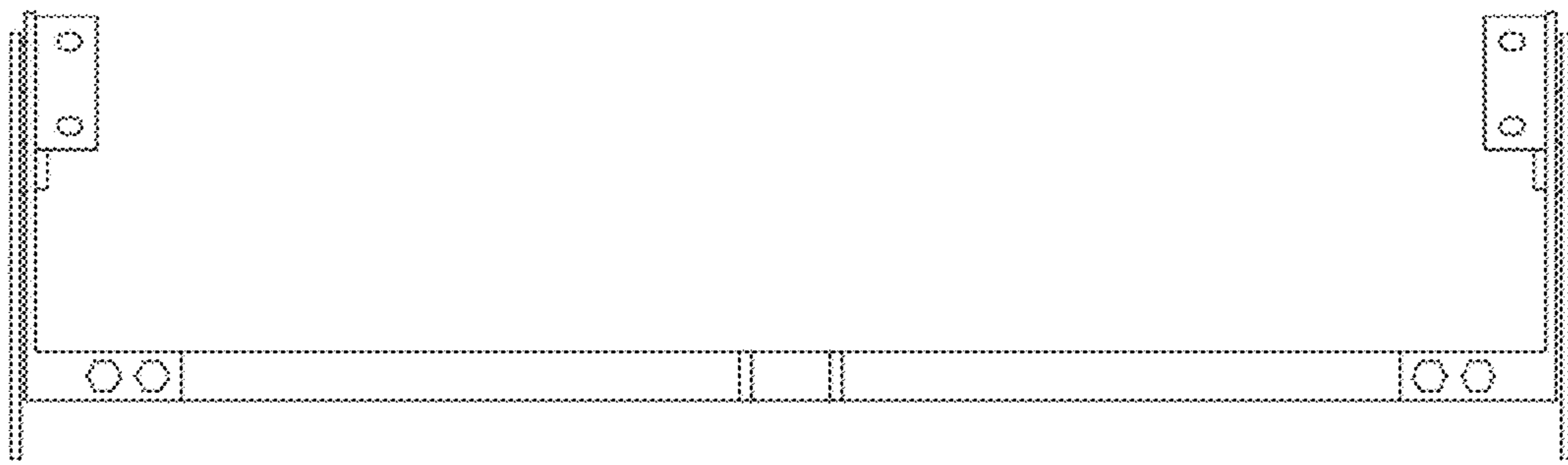
**FIG. 2**



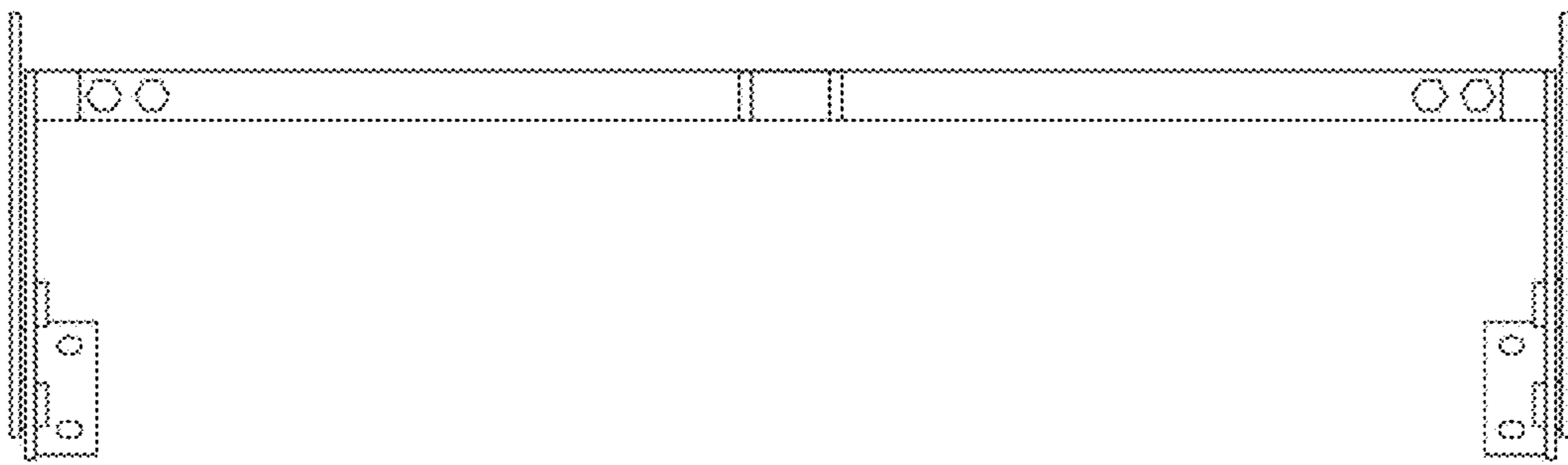
**FIG. 3**



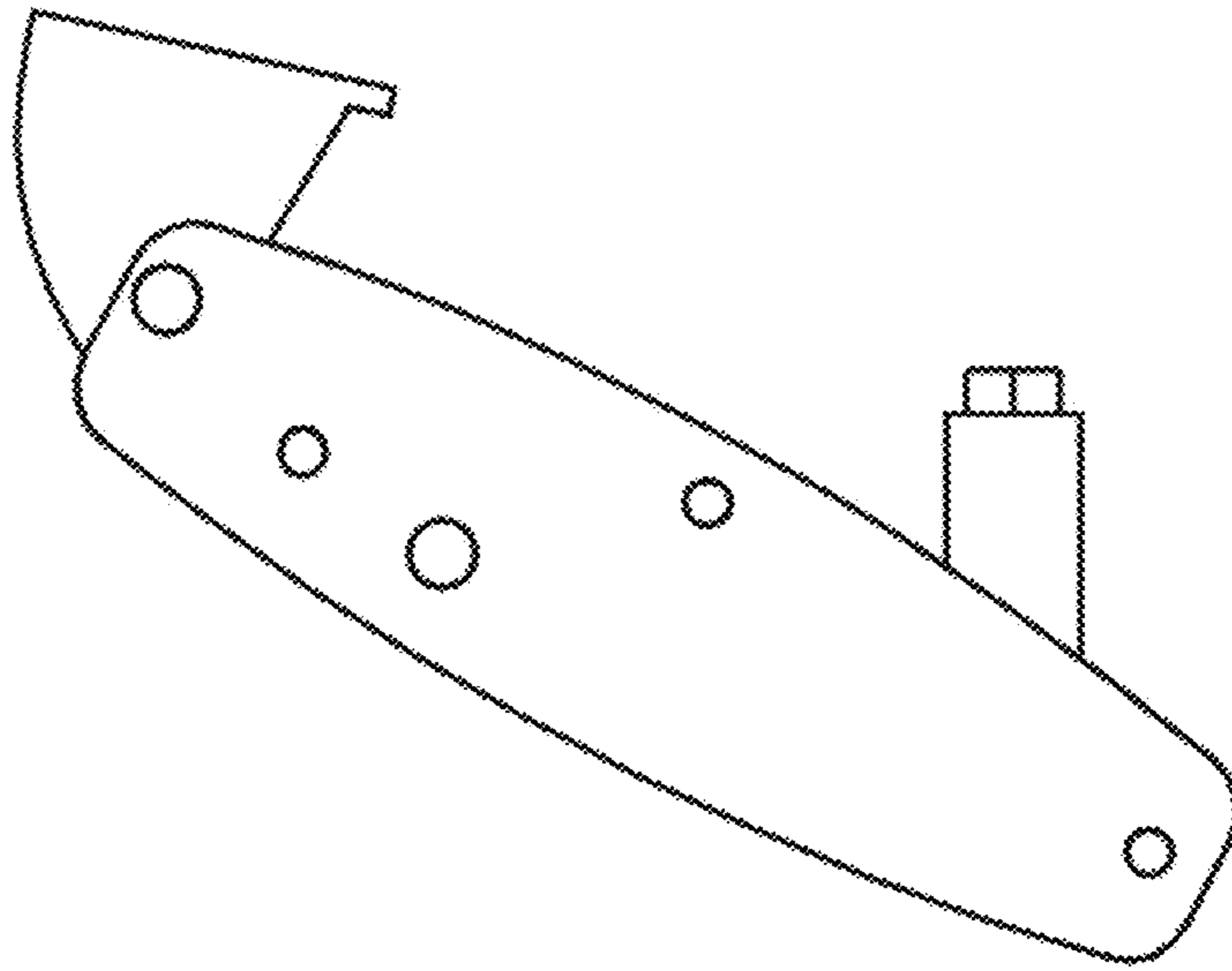
**FIG. 4**



**FIG. 5**

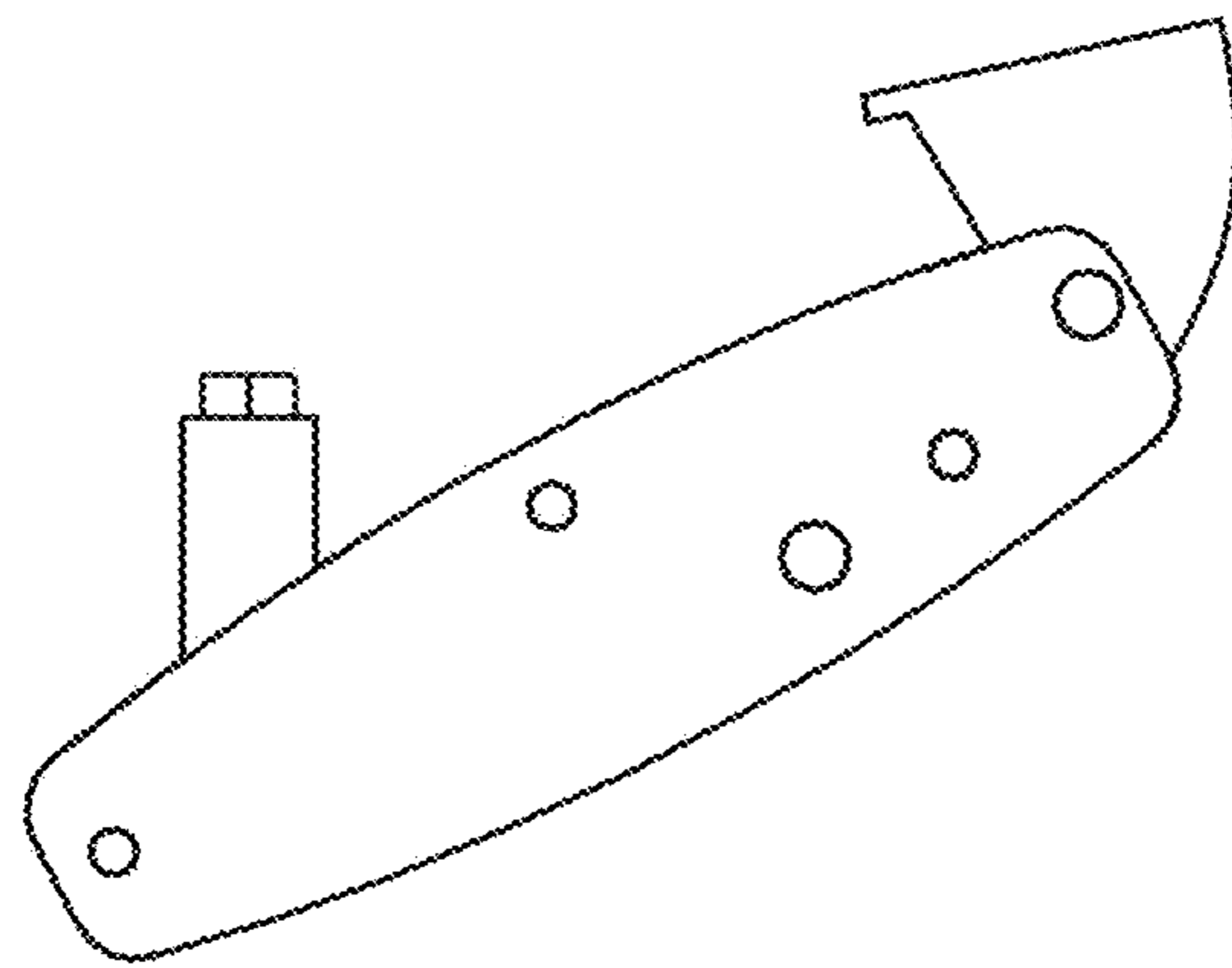


**FIG. 6**



**FIG. 7**





**FIG. 8**