



US00D794985S

(12) **United States Design Patent** (10) **Patent No.:** **US D794,985 S**  
**Tsuchiyama** (45) **Date of Patent:** **\*\* Aug. 22, 2017**

(54) **TABLE**

13/06; A47B 7/00; A47B 91/005; A47B 17/00

(71) Applicant: **OKAMURA CORPORATION**,  
Yokohama-shi, Kanagawa (JP)

See application file for complete search history.

(72) Inventor: **Waku Tsuchiyama**, Yokohama (JP)

(56) **References Cited**

(73) Assignee: **Okamura Corporation**, Yokohama-shi,  
Kanagawa (JP)

U.S. PATENT DOCUMENTS

(\*\*) Term: **14 Years**

(21) Appl. No.: **29/522,427**

1,094,900	A *	4/1914	Hoit .....	F16B 7/0466
				108/156
1,154,692	A *	9/1915	Dehullu .....	A47B 3/04
				108/156
1,646,175	A *	10/1927	Thiede .....	A47B 3/08
				108/125
1,675,827	A *	7/1928	Shrader .....	A47B 3/12
				108/156
1,701,529	A *	2/1929	Copeman .....	A47B 13/08
				108/156
D147,534	S *	9/1947	Cutrow .....	108/161
D164,075	S *	7/1951	Wallance .....	D6/691
D171,017	S *	12/1953	Wagner .....	108/161
D199,571	S *	11/1964	Ritts .....	108/38
D299,893	S *	2/1989	Diehl .....	D6/691.8
D376,712	S *	12/1996	Mezger .....	D6/656

(22) Filed: **Mar. 31, 2015**

(30) **Foreign Application Priority Data**

Oct. 3, 2014 (JP) ..... 2014-022110

(51) **LOC (10) Cl.** ..... **06-06**

(52) **U.S. Cl.**

USPC ..... **D6/709**

(58) **Field of Classification Search**

USPC ..... D6/480, 481, 482, 483, 484, 485, 486,  
D6/487, 488, 489, 495, 496, 497, 498,  
D6/499, 685, 686, 687, 688, 688.1,  
D6/688.15, 688.16, 688.24, 689-691,  
D6/691.4, 691.6, 691.7, 692, 692.2,  
D6/692.4, 692.5, 693, 693.1, 693.2,  
D6/694.1, 695, 695.2, 695.4, 695.5,  
D6/695.8, 696, 696.1, 696.3, 696.4,  
D6/696.7, 697, 697.1, 697.2, 698, 708,  
D6/708.16, 708.17, 708.23, 709.2,  
D6/709.22; 108/153.1, 156, 157.1, 50.02,  
108/161; 248/188, 188.1, 188.8

CPC ..... A47B 3/02; A47B 3/00; A47B 3/0818;  
A47B 3/087; A47B 2200/001; A47B  
2200/11; A47B 13/02; A47B 13/04; A47B

(Continued)

*Primary Examiner* — Karen Kearney

*Assistant Examiner* — Christopher J Matthews

(74) *Attorney, Agent, or Firm* — Sughrue Mion, PLLC

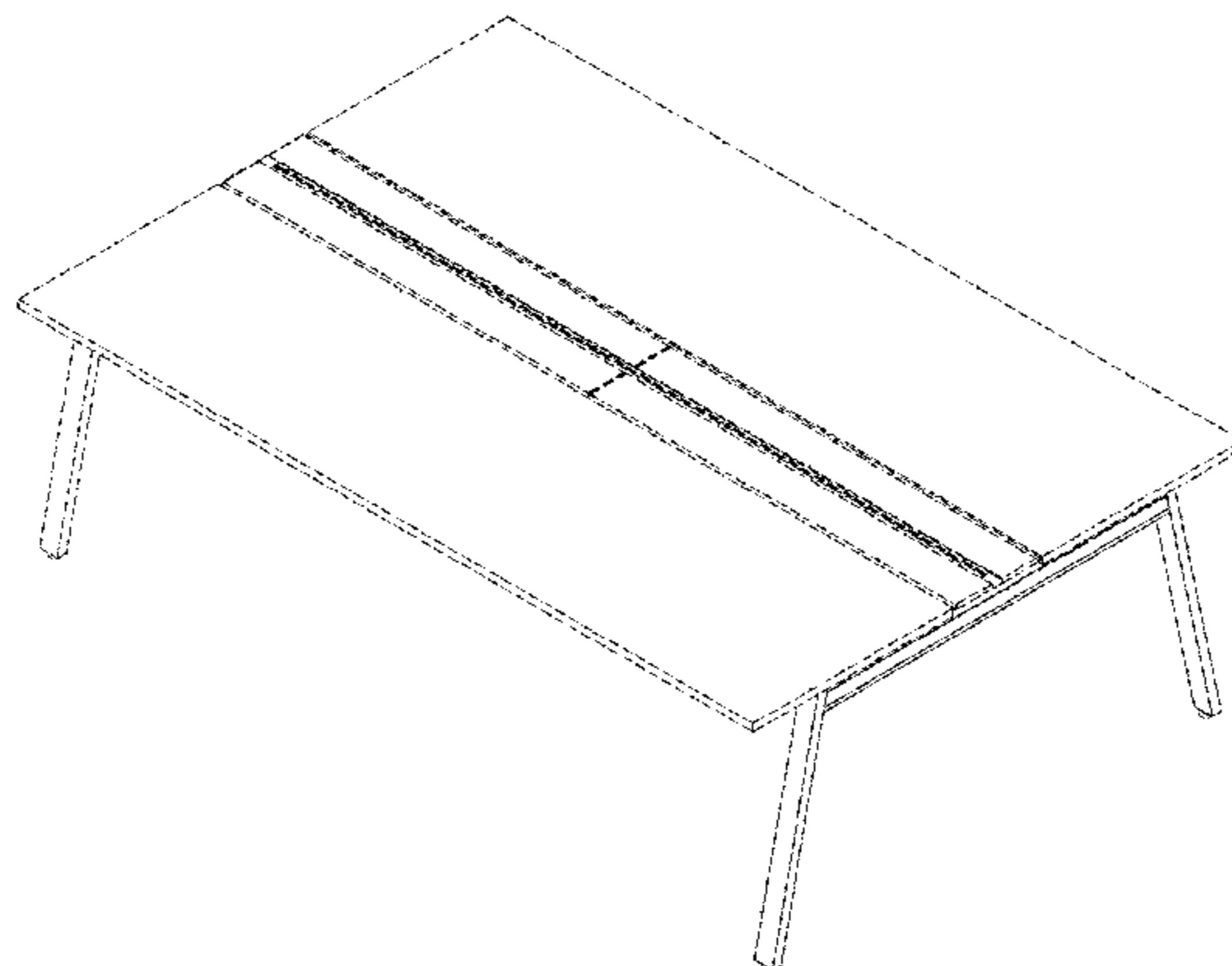
(57) **CLAIM**

The ornamental design for a table, as shown and described.

**DESCRIPTION**

FIG. 1 is a perspective view of a table.  
FIG. 2 is a front elevation view thereof. A rear elevation view is a mirror image of the front elevation view.  
FIG. 3 is a right side elevation view thereof.  
FIG. 4 is a bottom plan view thereof.  
FIG. 5 is a cross-sectional view taken along the line 5-5 in FIG. 3; and,  
FIG. 6 is a cross-sectional view taken along the line 6-6 in FIG. 3.

(Continued)



The broken lines shown in the drawings illustrate portions of the table that form no part of the claimed design.

**1 Claim, 6 Drawing Sheets**

(56)

**References Cited**

U.S. PATENT DOCUMENTS

D385,728 S \* 11/1997 Mulligan ..... D6/691.1  
 D455,918 S \* 4/2002 Moore ..... D6/691.6  
 D487,655 S \* 3/2004 Varsi ..... D6/686  
 D501,103 S \* 1/2005 Ashby ..... D6/691  
 D522,279 S \* 6/2006 Hansbæk ..... D6/686  
 D575,968 S \* 9/2008 Saffell ..... D6/709.21  
 D641,996 S \* 7/2011 Wahl ..... D6/691.8  
 D649,810 S \* 12/2011 Martin ..... D6/702  
 D650,612 S \* 12/2011 Frinier ..... D6/691.3  
 D650,614 S \* 12/2011 Martin ..... D6/702  
 D651,430 S \* 1/2012 Martin ..... D6/708  
 D651,431 S \* 1/2012 Udagawa ..... D6/708  
 D652,654 S \* 1/2012 Lin ..... D6/691.1

D653,879 S \* 2/2012 Najarian ..... D6/691.1  
 D659,451 S \* 5/2012 Hattenbach ..... D6/707.23  
 D661,129 S \* 6/2012 Schweikarth ..... D6/349  
 D662,336 S \* 6/2012 Martin ..... D6/656  
 D662,731 S \* 7/2012 Martin ..... D6/656  
 D673,793 S \* 1/2013 McKsymick ..... D6/691.6  
 D674,625 S \* 1/2013 Mecherle ..... D6/691  
 D675,462 S \* 2/2013 Petrovich ..... D6/691.8  
 D683,161 S \* 5/2013 Polloni ..... D6/691.8  
 D684,414 S \* 6/2013 Tsuchiyama ..... D6/709  
 8,667,908 B2 \* 3/2014 Martin ..... A47B 3/06  
 108/149  
 D716,073 S \* 10/2014 Hsu ..... D6/654.17  
 D717,572 S \* 11/2014 Morrison ..... D6/647  
 D719,379 S \* 12/2014 Tsuchiyama ..... D6/656  
 D721,525 S \* 1/2015 Huang ..... D6/691.9  
 D723,840 S \* 3/2015 Scharer ..... D6/656.13  
 D728,974 S \* 5/2015 Vats ..... D14/305  
 D730,659 S \* 6/2015 Sakurai ..... D6/656.13  
 D732,852 S \* 6/2015 Park ..... D6/656  
 2009/0114127 A1 \* 5/2009 Wright ..... A47C 7/56  
 108/35  
 2012/0237142 A1 \* 9/2012 Derkoski ..... A47B 3/06  
 383/6

\* cited by examiner

FIG. 1

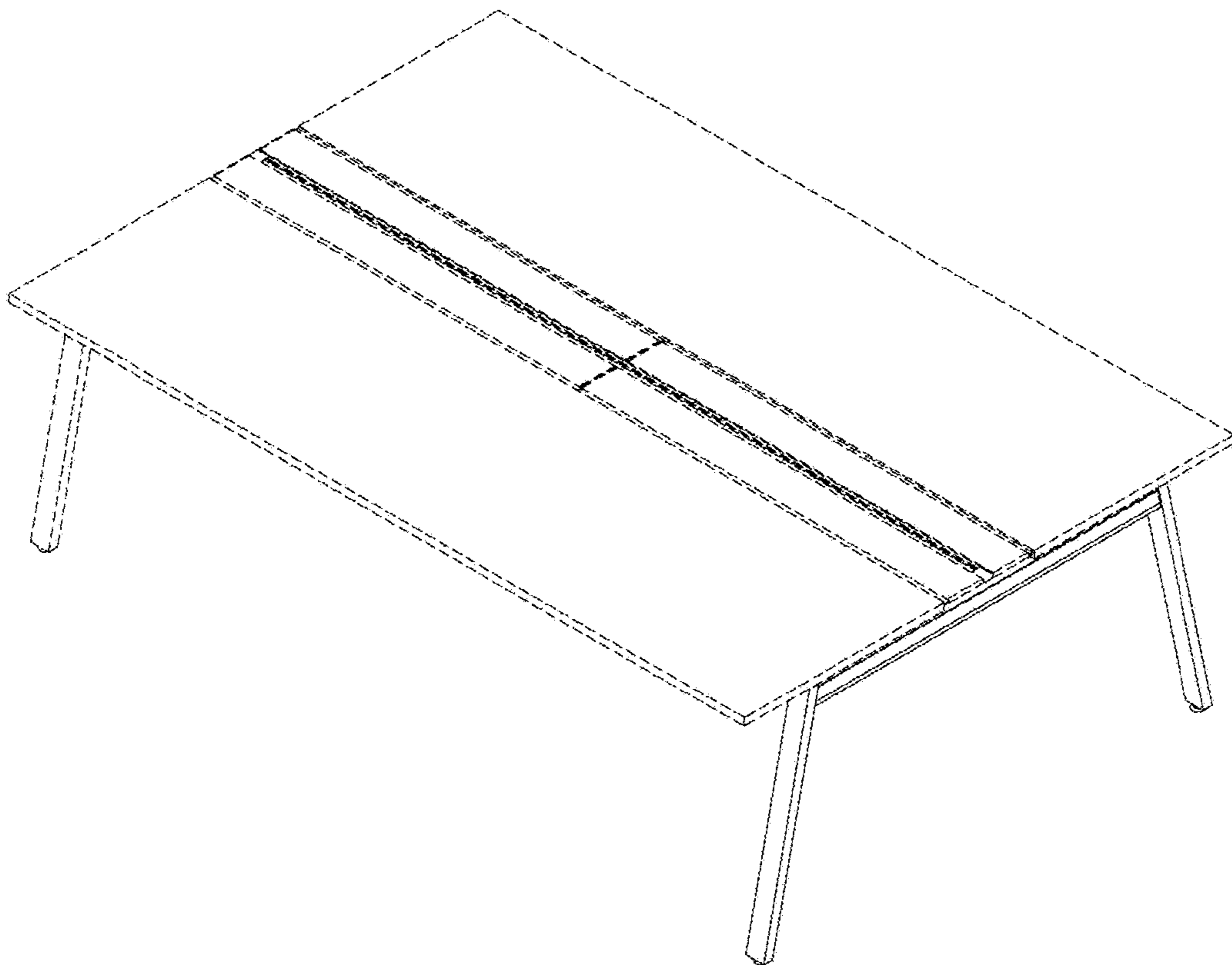


FIG. 2

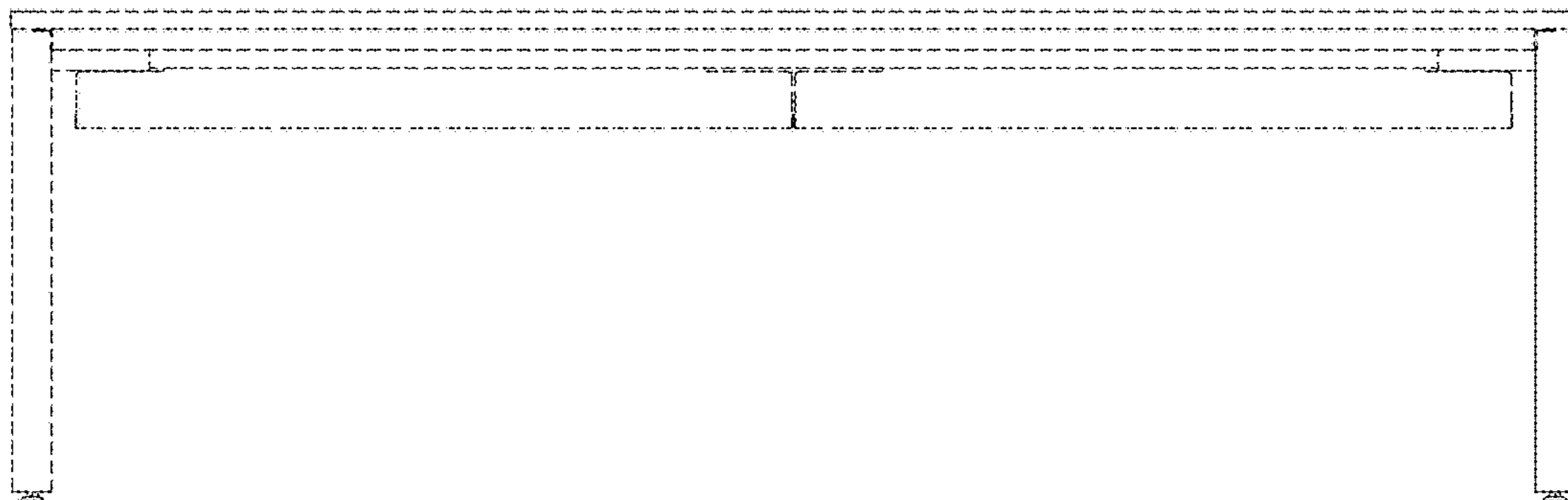


FIG. 3

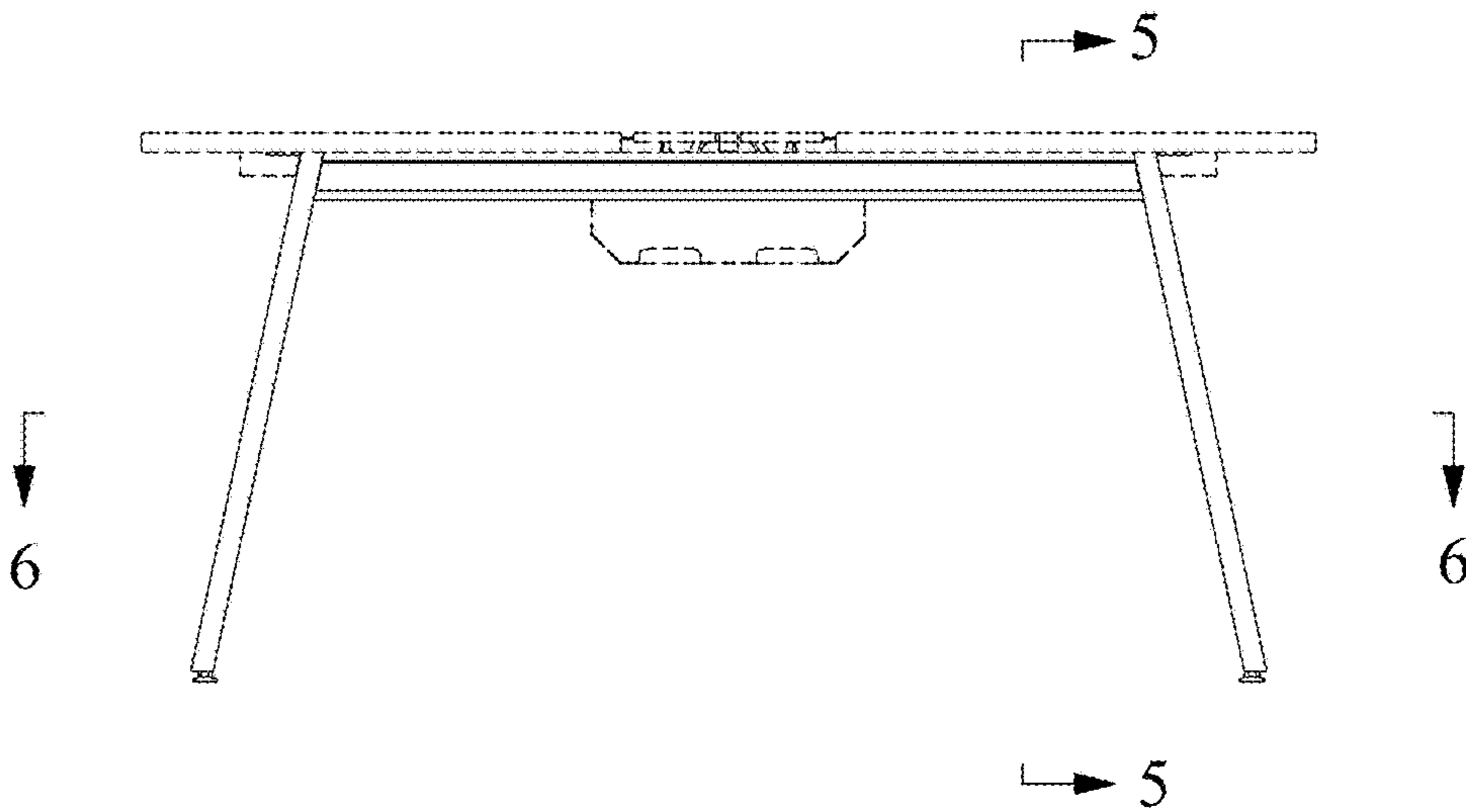


FIG. 4

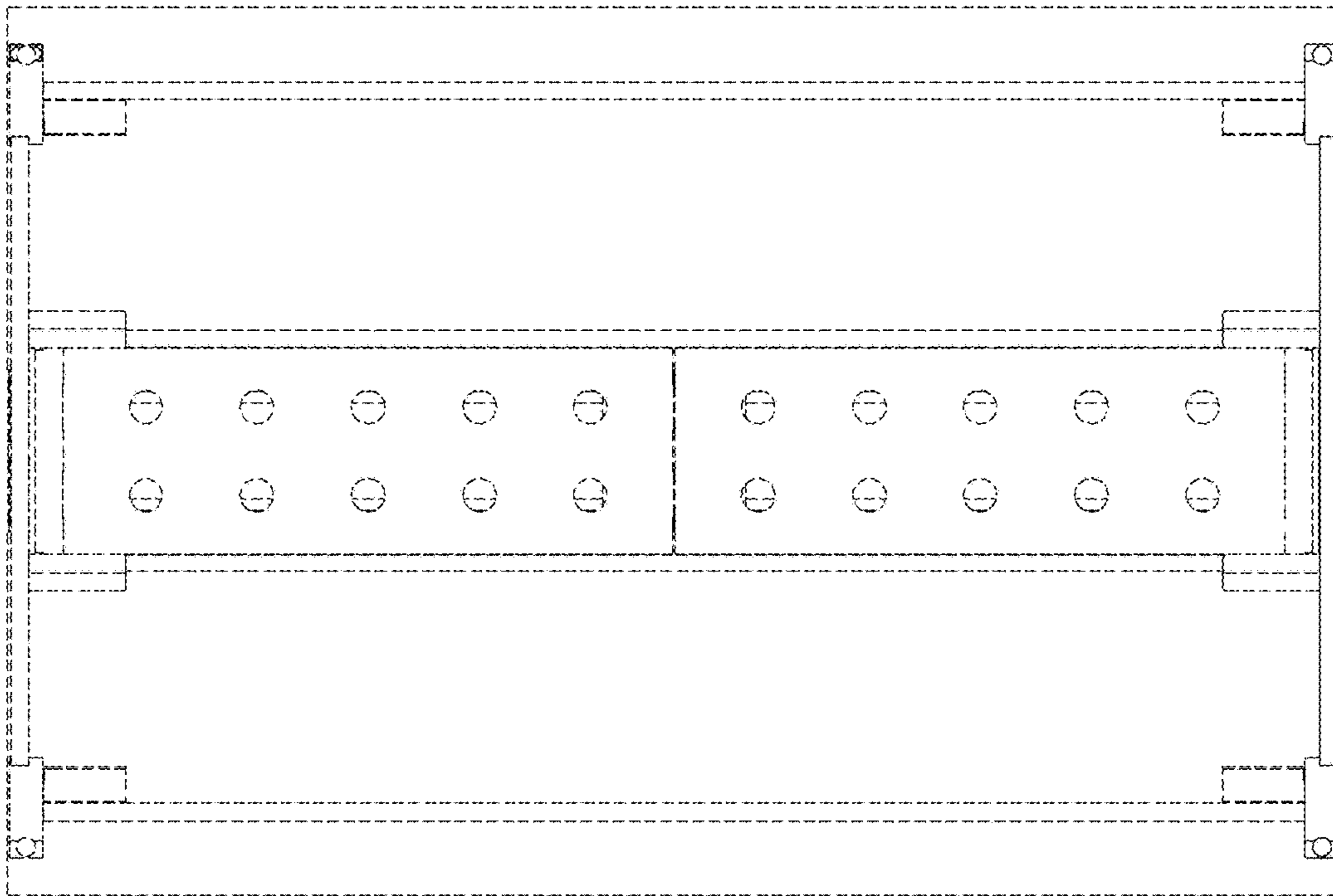


FIG. 5



FIG. 6

