



US00D794984S

(12) **United States Design Patent**
Green

(10) **Patent No.:** **US D794,984 S**

(45) **Date of Patent:** **** *Aug. 22, 2017**

(54) **WATCH STAND**

(71) Applicant: **Andrew Bradford Green**, Mt. Pleasant, SC (US)

(72) Inventor: **Andrew Bradford Green**, Mt. Pleasant, SC (US)

(*) Notice: This patent is subject to a terminal disclaimer.

(**) Term: **15 Years**

(21) Appl. No.: **29/546,415**

(22) Filed: **Nov. 23, 2015**

(51) **LOC (10) Cl.** **06-03**

(52) **U.S. Cl.**
USPC **D6/682.5**

(58) **Field of Classification Search**
USPC D6/681, 681.1, 681.5, 682, 682.5, 701, D6/702; D16/135; D19/100; 206/566; 211/59.1, 85.2
CPC .. A47F 7/022; A47F 7/024; A47F 7/12; A47F 7/19
See application file for complete search history.

(56) **References Cited**

U.S. PATENT DOCUMENTS

D220,015 S *	2/1971	Schremmer	D6/681
D267,445 S *	1/1983	Watson	D6/681.1
4,936,466 A *	6/1990	Nava	A47F 7/02
				206/566
D348,079 S *	6/1994	Bogen	D19/100
D367,541 S *	2/1996	Kuo	D26/51
D368,319 S *	3/1996	Huang	D26/51

D589,645 S *	3/2009	Citterio	D26/107
D609,853 S *	2/2010	Salatto-Rose	D26/107
D613,524 S *	4/2010	Jeffers	D6/682
D614,335 S *	4/2010	Cham	D26/51
D669,626 S *	10/2012	Huang	D26/107
D669,627 S *	10/2012	Huang	D26/107
D691,839 S *	10/2013	Dallenbach	D6/681.1
D693,516 S *	11/2013	Copeland	D26/107
D698,962 S *	2/2014	Waldmann	D16/135
D709,235 S *	7/2014	Chu	D26/65
D740,060 S *	10/2015	Akana	D6/682.5
D748,936 S *	2/2016	Kanrilak	D6/681
D753,941 S *	4/2016	Boen	D6/681.1
D753,942 S *	4/2016	Akana	D6/682.5

* cited by examiner

Primary Examiner — Manpreet Matharu

Assistant Examiner — Keith Wilson

(74) *Attorney, Agent, or Firm* — Wayne Edward Ramage; Baker Donelson

(57) **CLAIM**

The ornamental design for a watch stand, as shown and described.

DESCRIPTION

FIG. 1 is a front perspective view of the new design;

FIG. 2 is a front view thereof;

FIG. 3 is a rear view thereof;

FIG. 4 is a left side view thereof;

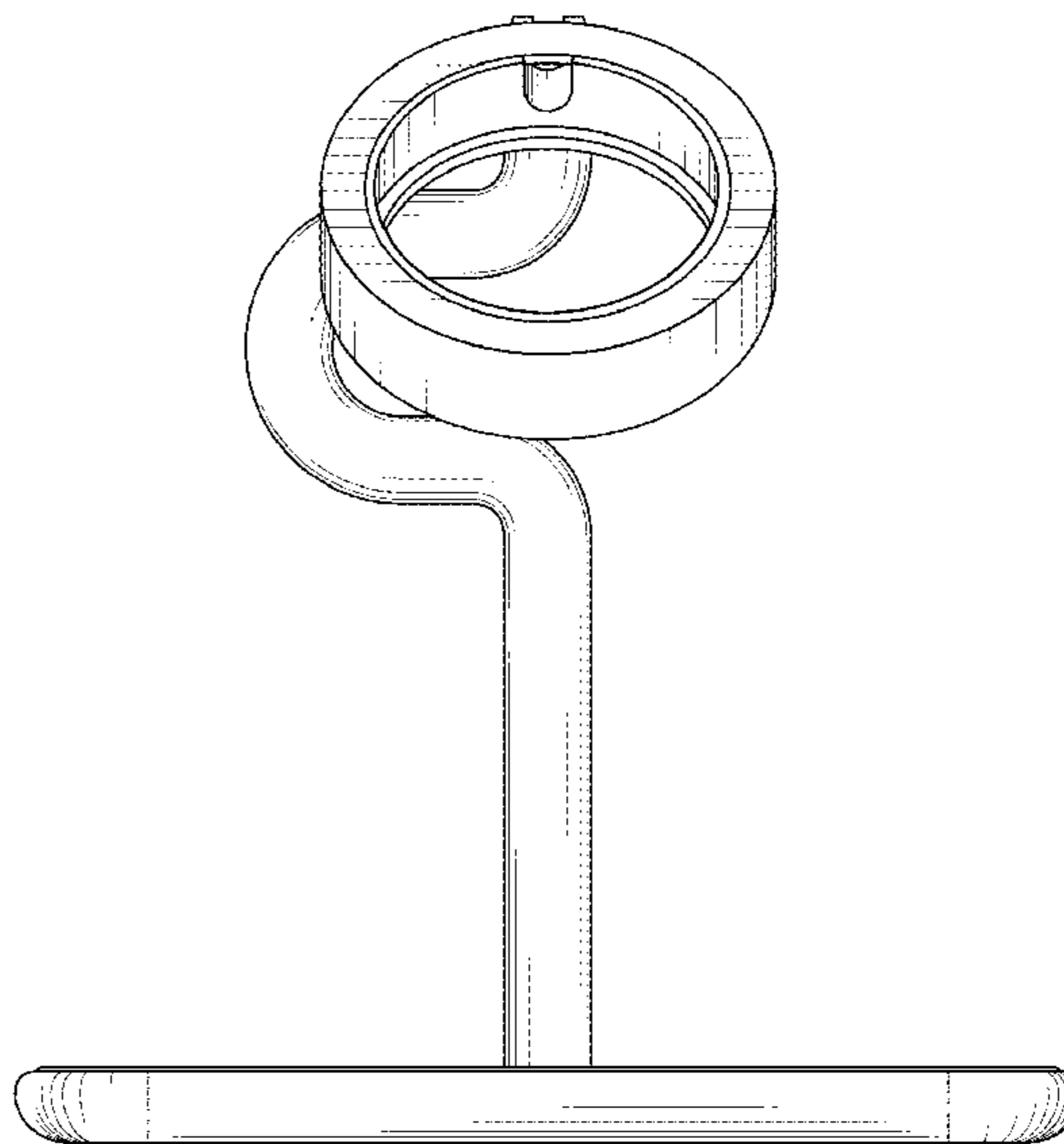
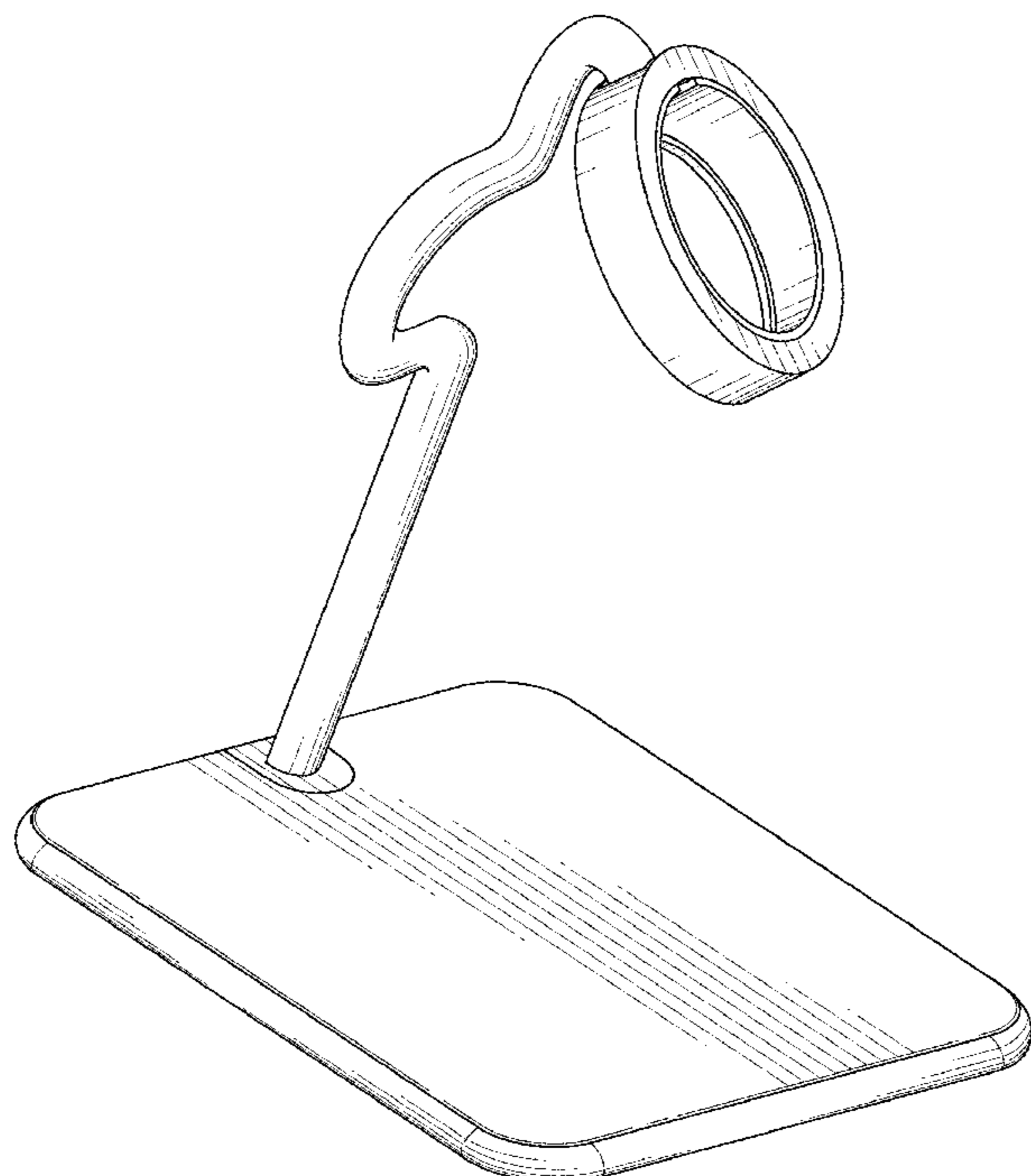
FIG. 5 is a right side view thereof;

FIG. 6 is a top view thereof; and,

FIG. 7 is a bottom view thereof.

Any broken lines in the figures are for illustrative purposes only and form no part of the claimed design.

1 Claim, 7 Drawing Sheets



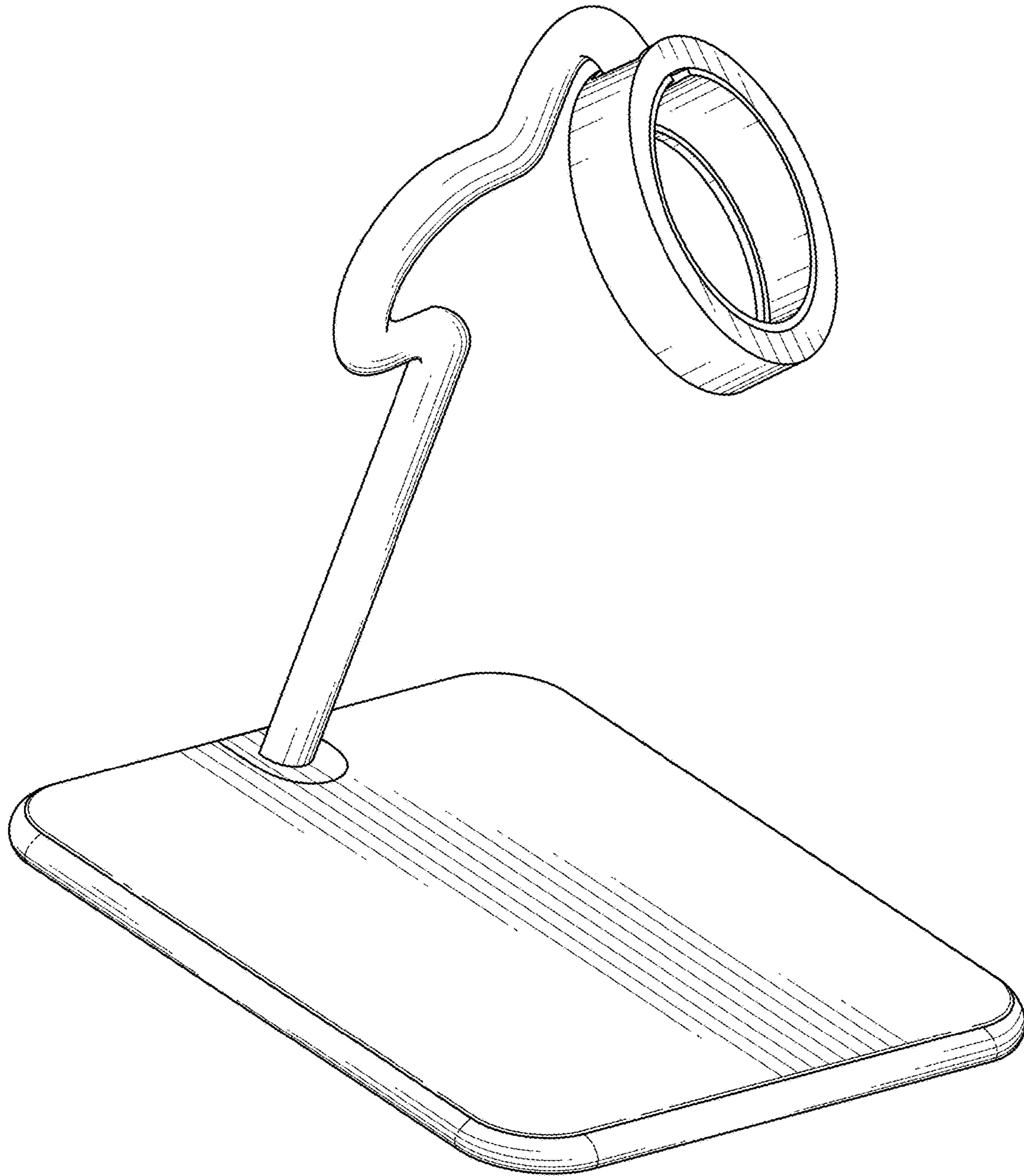


FIG. 1

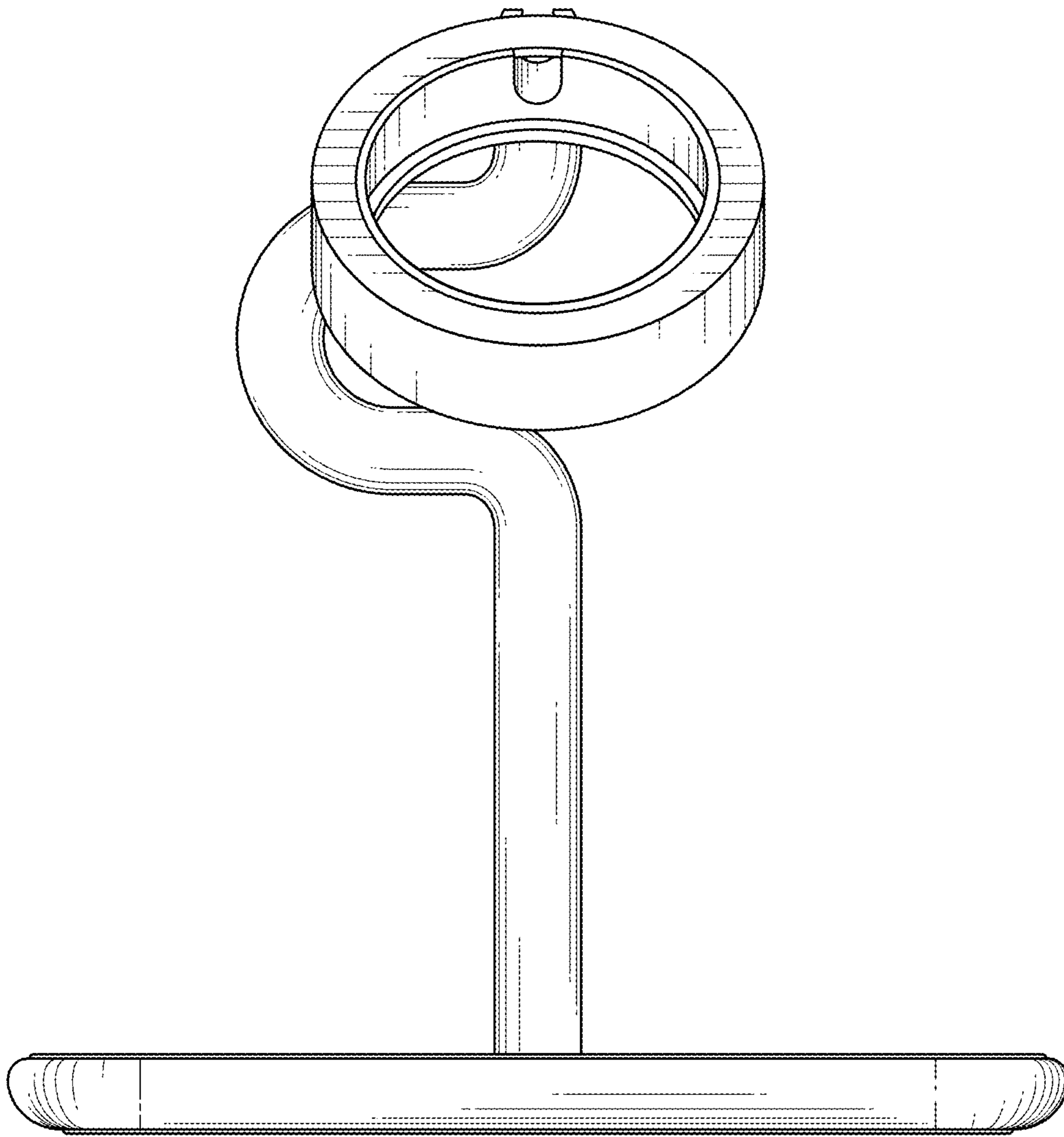


FIG. 2

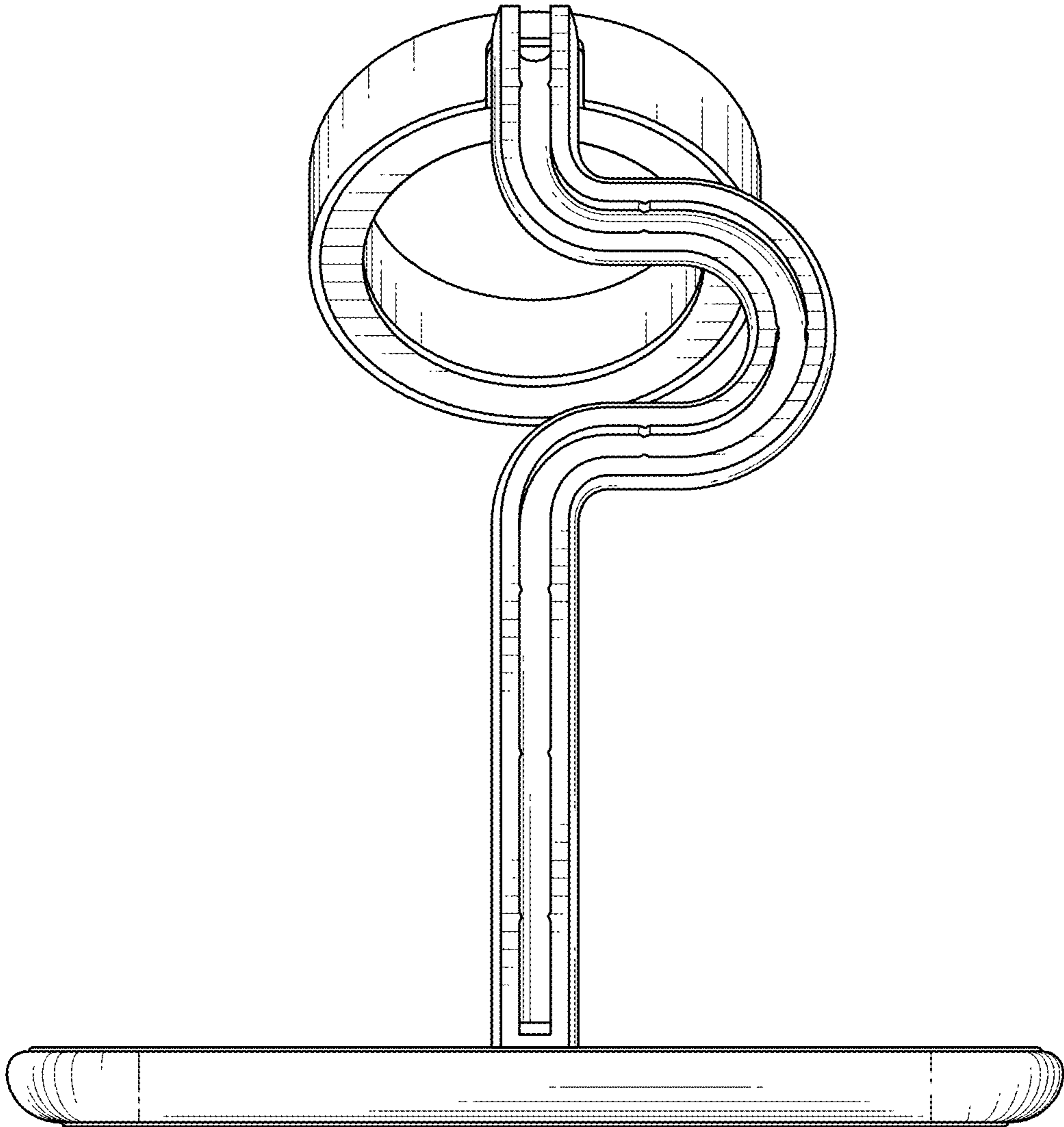


FIG. 3

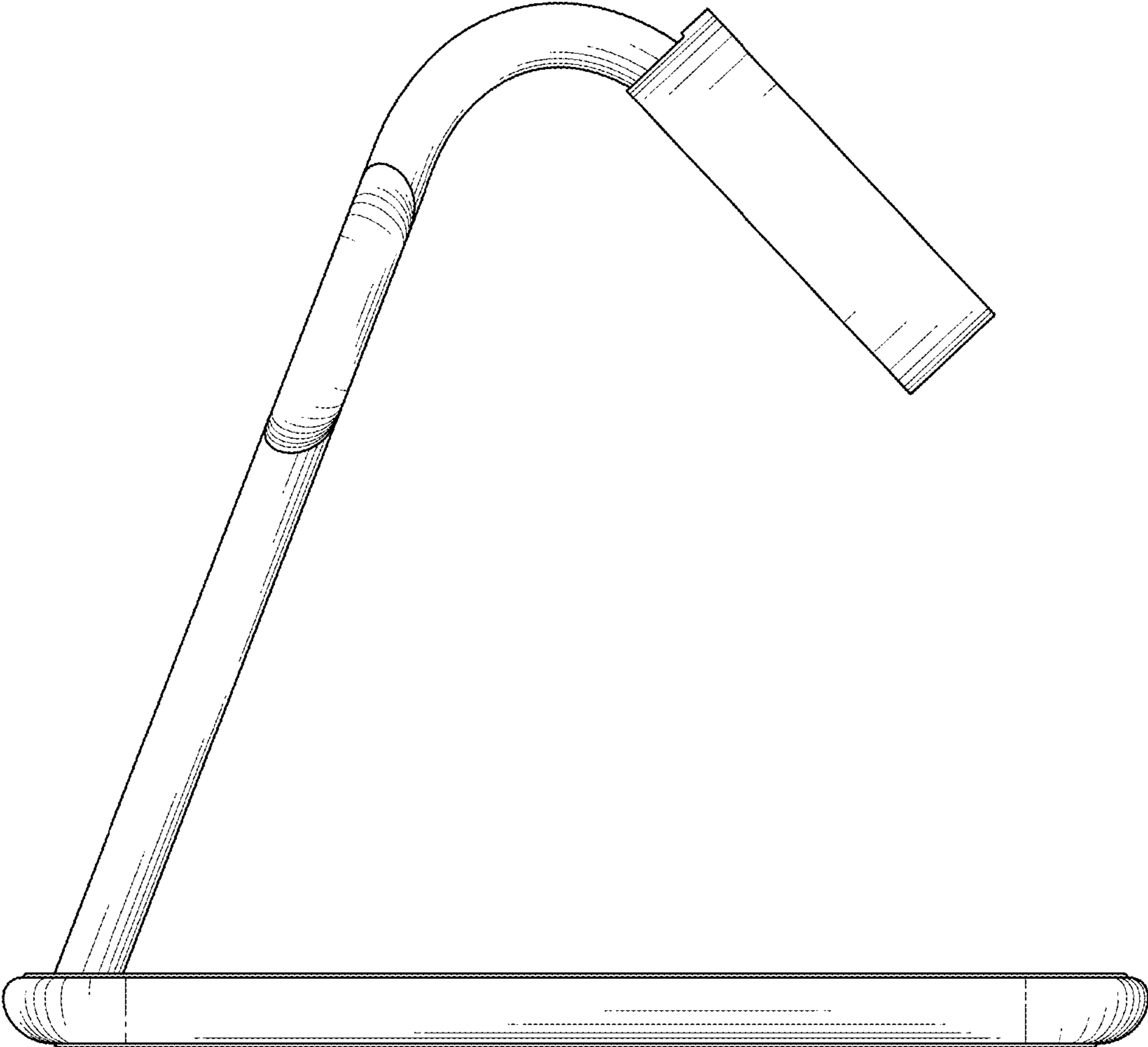


FIG. 4

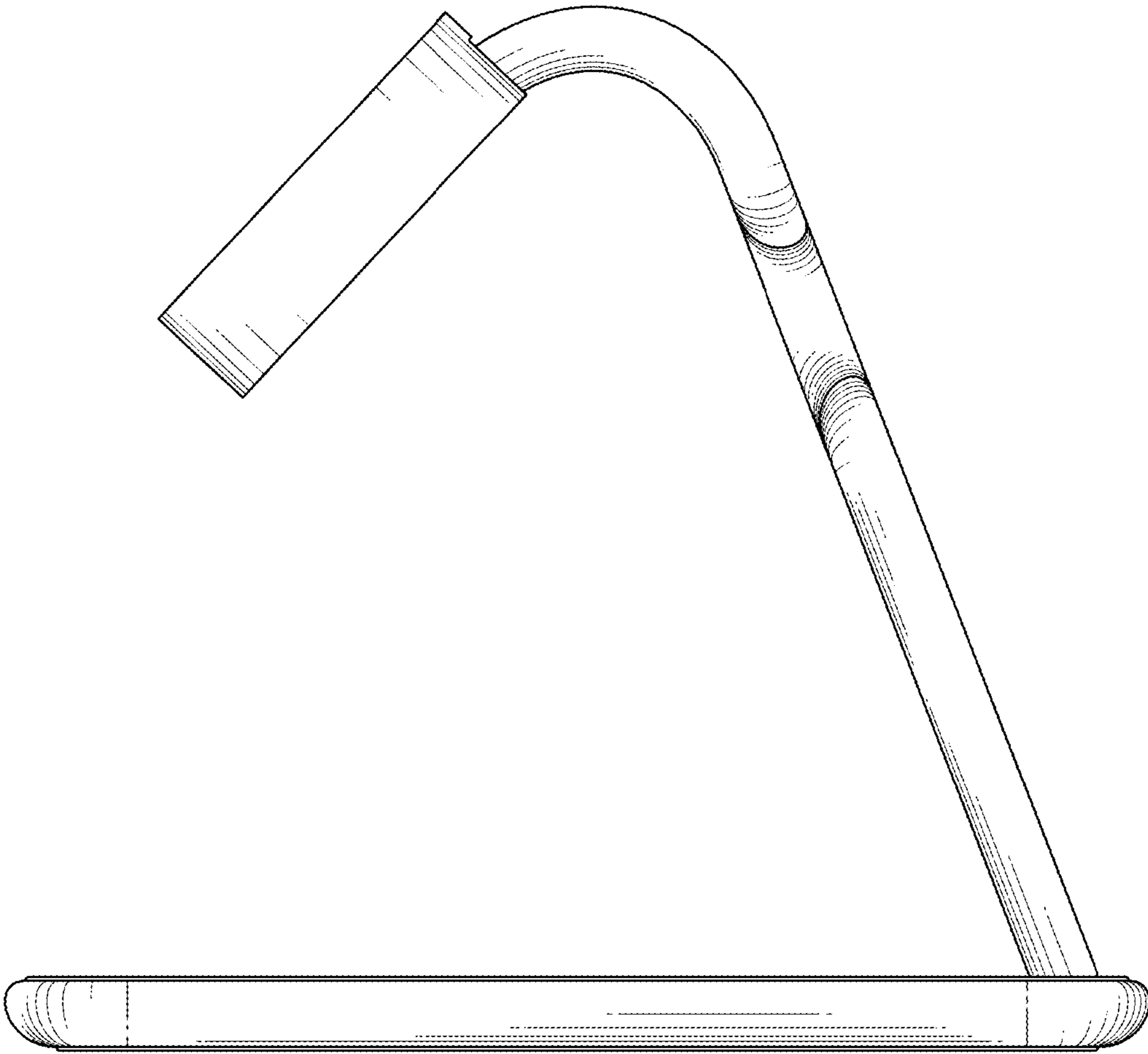


FIG. 5

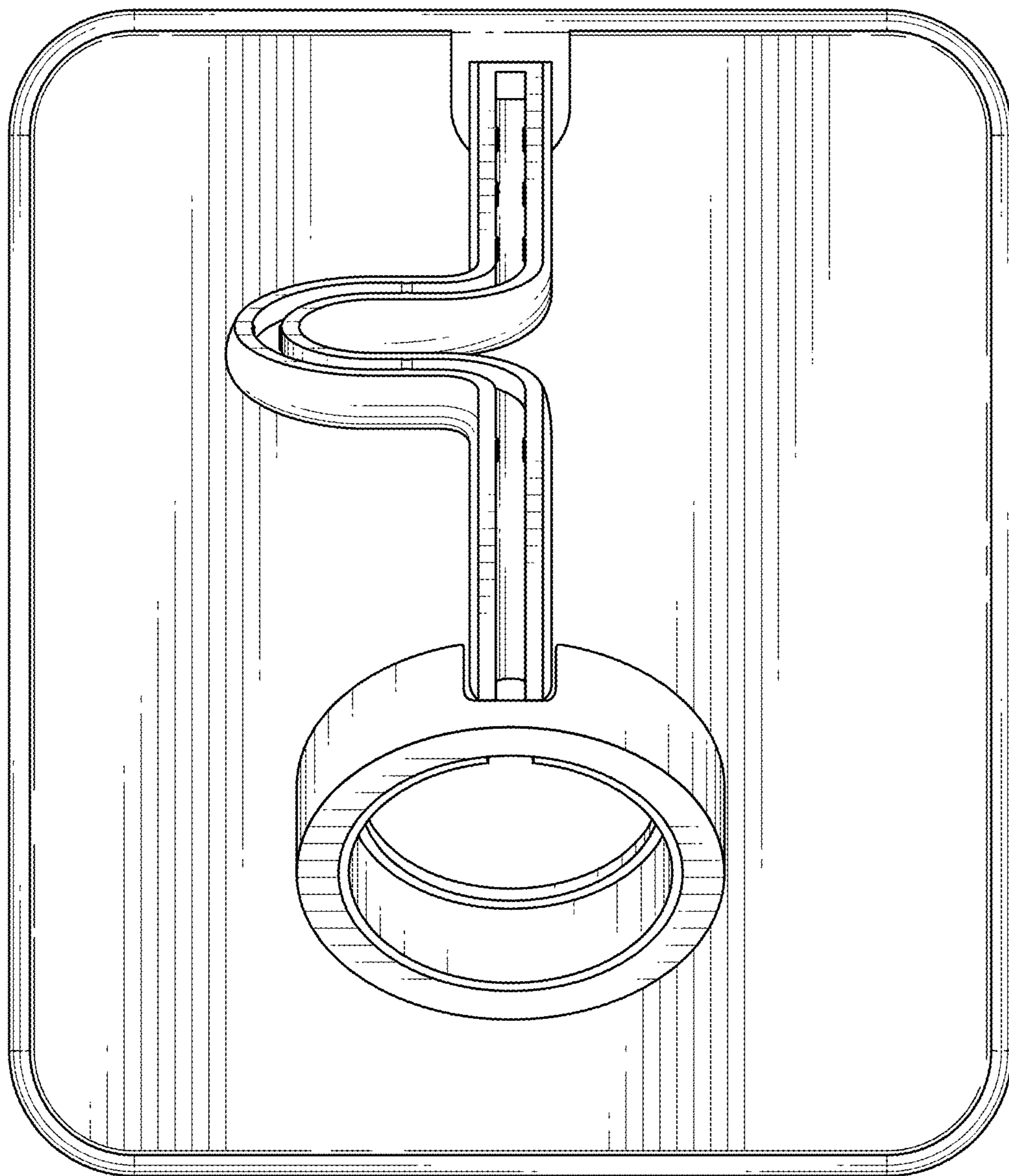


FIG. 6

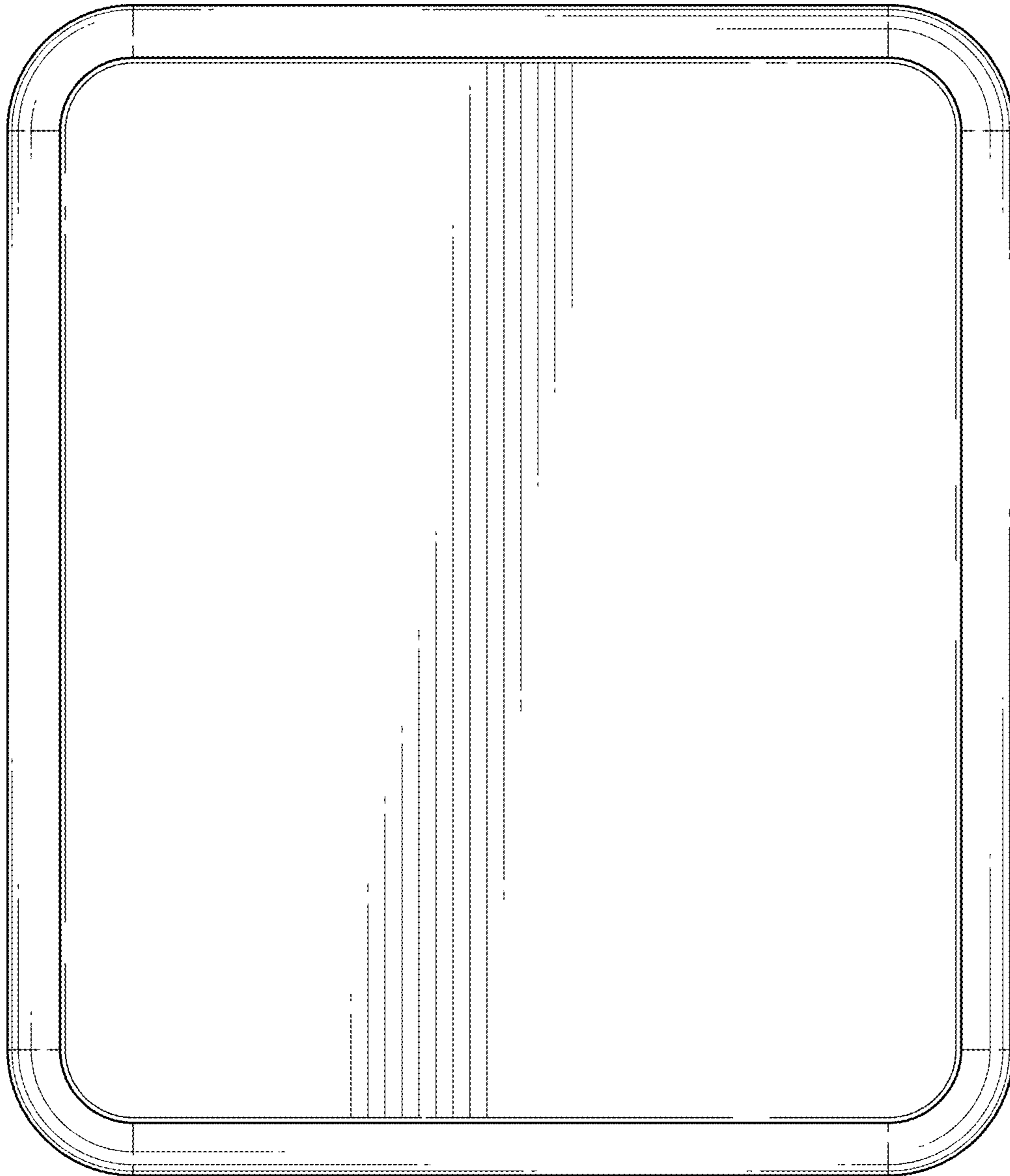


FIG. 7