



US00D794982S

(12) **United States Design Patent** (10) **Patent No.:** **US D794,982 S**
Palma et al. (45) **Date of Patent:** **** Aug. 22, 2017**

(54) **DESK**
(71) Applicant: **Williams-Sonoma, Inc.**, San Francisco, CA (US)
(72) Inventors: **Nicholas Palma**, Danville, CA (US); **J. Douglas Mitchell**, Walnut Creek, CA (US)
(73) Assignee: **Williams-Sonoma, Inc.**, San Francisco, CA (US)
(**) Term: **15 Years**
(21) Appl. No.: **29/561,241**
(22) Filed: **Apr. 14, 2016**
(51) **LOC (10) Cl.** **06-03**
(52) **U.S. Cl.**
USPC **D6/656.17**
(58) **Field of Classification Search**
USPC D6/641, 656, 675, 698, 656.17
CPC A47B 21/00; A47B 21/02; A47B 41/00;
A47B 41/02
See application file for complete search history.

2011/0247530 A1* 10/2011 Coffman A47B 3/0911
108/116
2012/0126072 A1* 5/2012 Pettersson A47B 9/04
248/157
2015/0120238 A1* 4/2015 Marvit A47B 9/00
702/152
2016/0073779 A1* 3/2016 Ringlein A47B 87/002
108/28
2016/0095425 A1* 4/2016 Yang A47B 9/06
248/188.2

OTHER PUBLICATIONS

Crank Table Steel Top by Vintage Industrial, retro.net, image crawled on Oct. 31, 2014, image retrieved on Nov. 18, 2016, retrieved from the Internet URL:< <https://www.retro.net/crank-table-gallery/>.*

* cited by examiner

Primary Examiner — Rosemary K Tarcza
Assistant Examiner — Alison Ofstun
(74) *Attorney, Agent, or Firm* — Cook Alex Ltd.; R. Blake Johnston

(57) **CLAIM**

The ornamental design for a desk, as shown and described.

DESCRIPTION

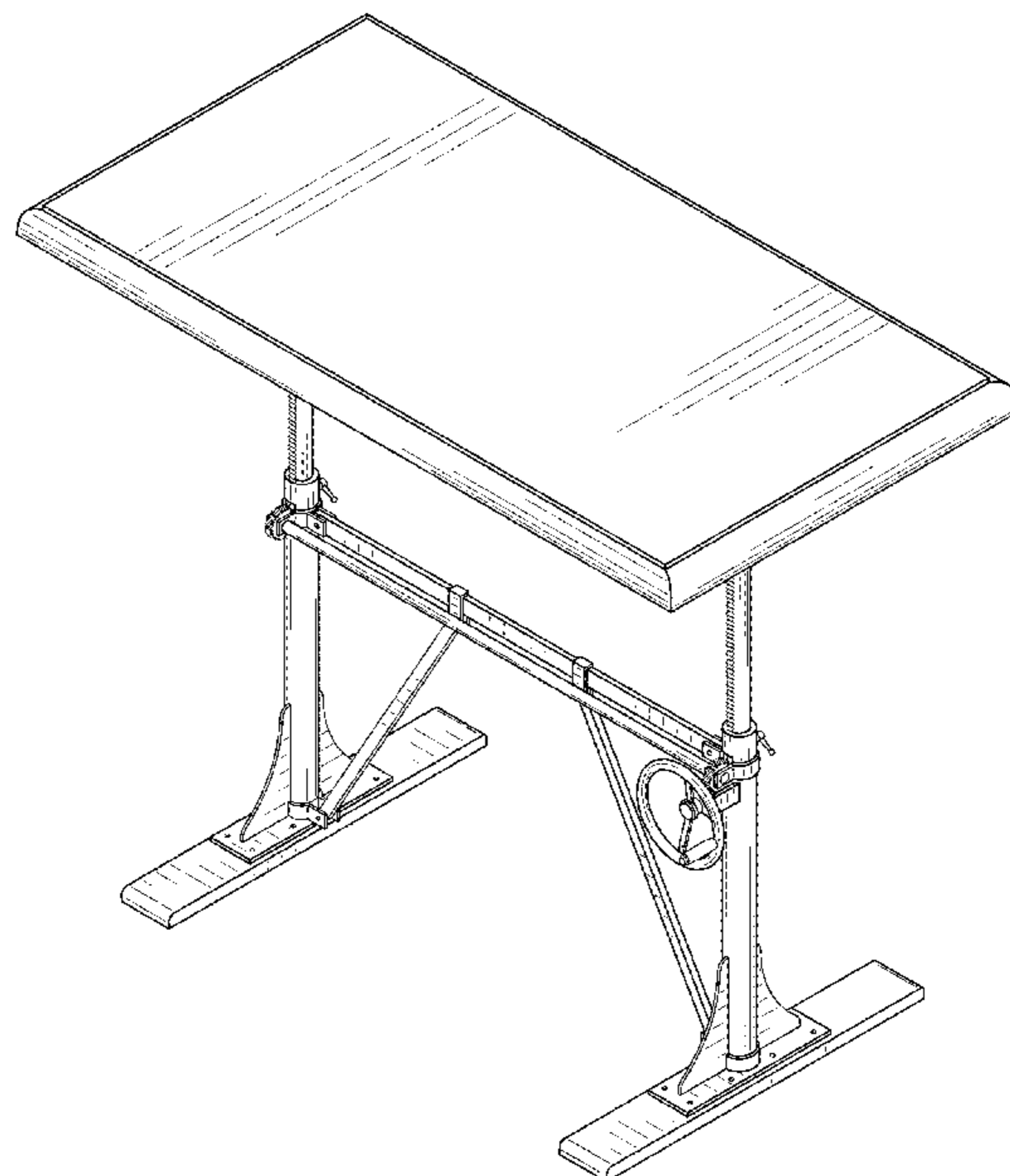
FIG. 1 is a perspective view of the desk;
FIG. 2 is a front elevational view of the desk;
FIG. 3 is a rear elevational view of the desk;
FIG. 4 is a left side elevational view of the desk;
FIG. 5 is a right side elevational view of the desk;
FIG. 6 is a top plan view of the desk; and,
FIG. 7 is a bottom plan view of the desk.
The broken lines in the figures represent portions of the article which form no part of the claim.

1 Claim, 7 Drawing Sheets

(56) **References Cited**

U.S. PATENT DOCUMENTS

D180,283 S * 5/1957 Hoven D6/691.5
D235,834 S * 7/1975 Payne D6/691.5
D335,787 S * 5/1993 Hollington D6/656.17
5,408,940 A * 4/1995 Winchell A47B 9/06
108/10
5,706,739 A * 1/1998 Shaheen A47B 9/02
108/146
6,810,820 B1 * 11/2004 Okerlund A47B 9/06
108/137
D719,385 S * 12/2014 Watson D6/708
D732,317 S * 6/2015 Chang D6/656.17



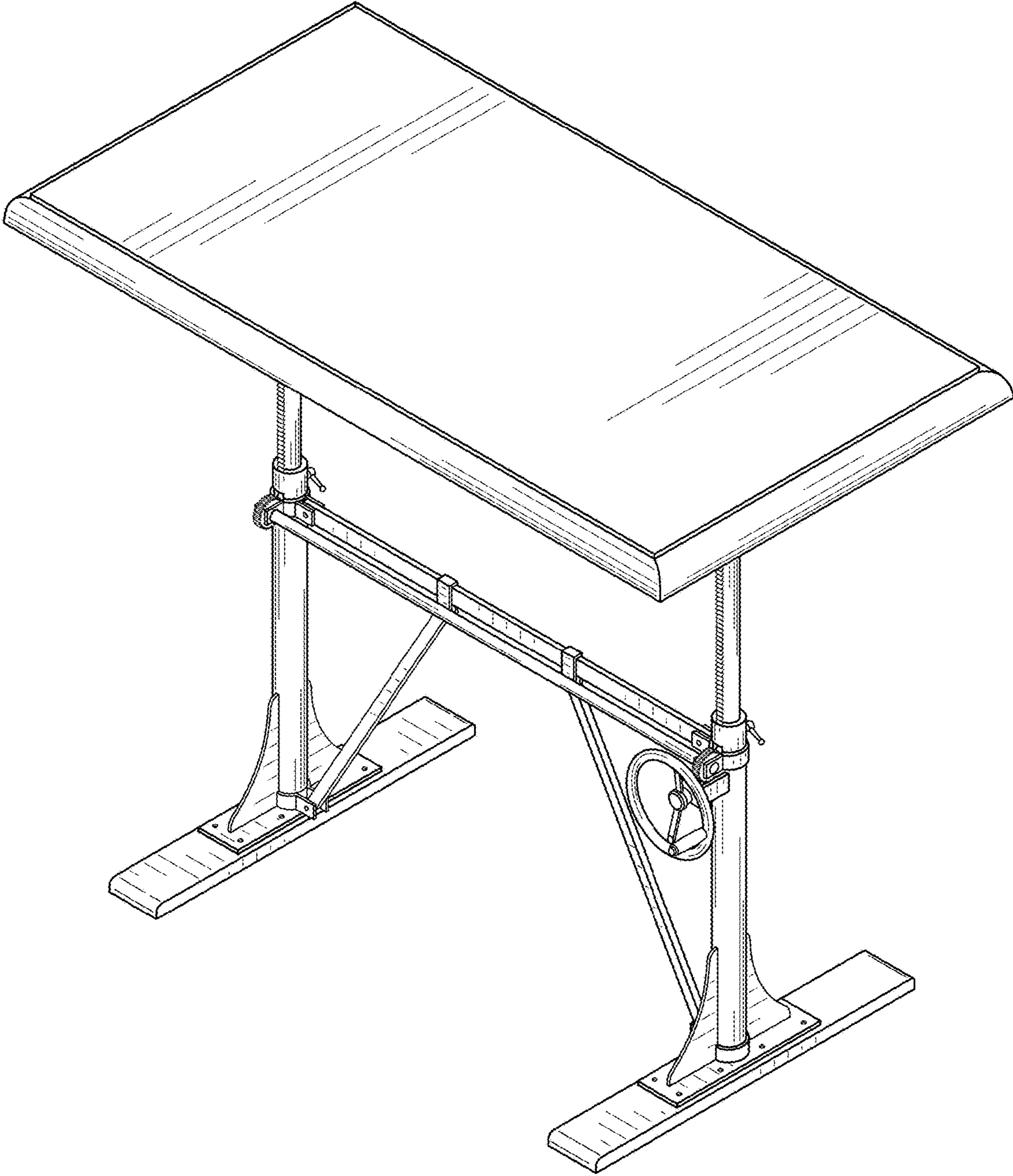


FIG. 1

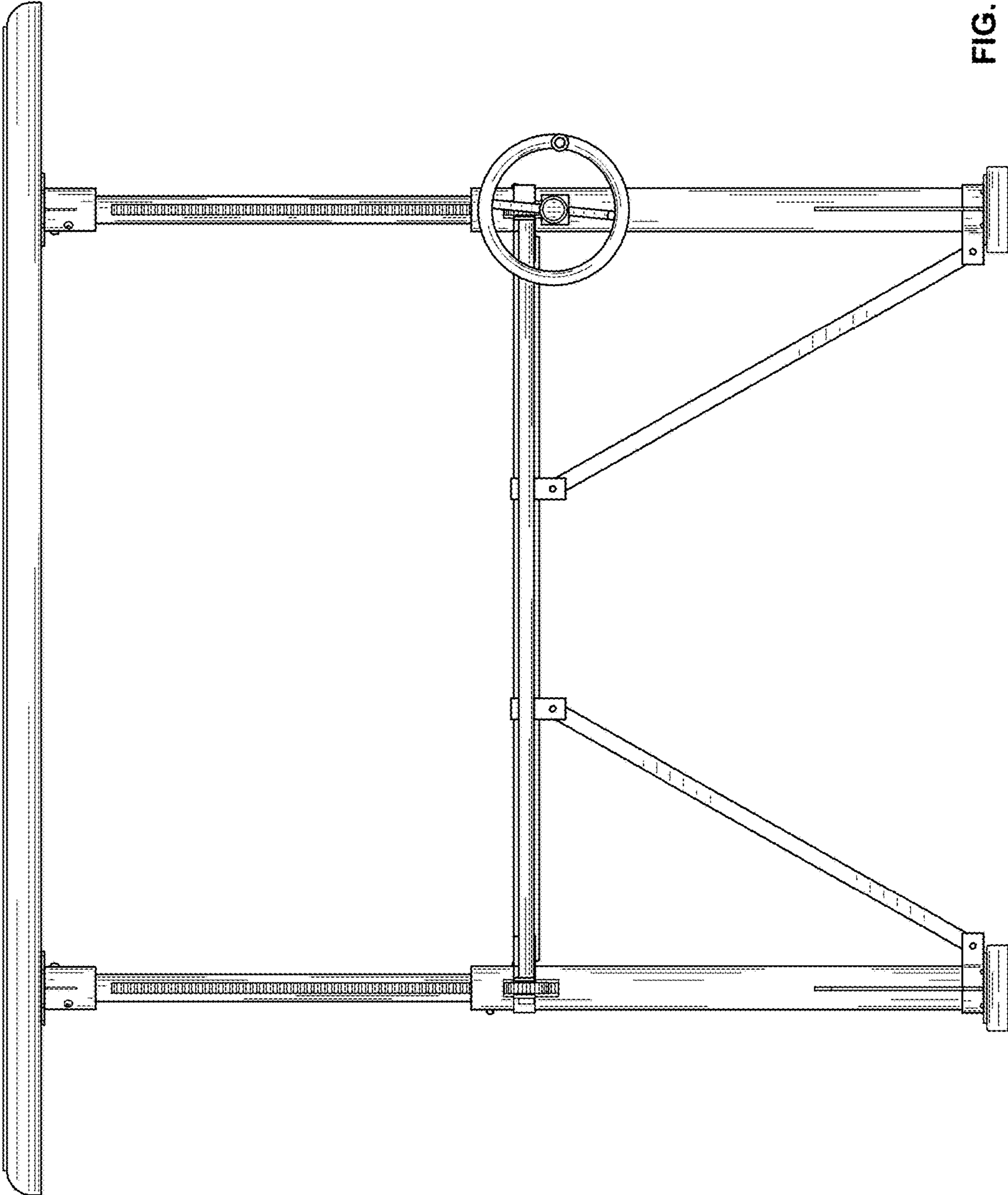


FIG. 2

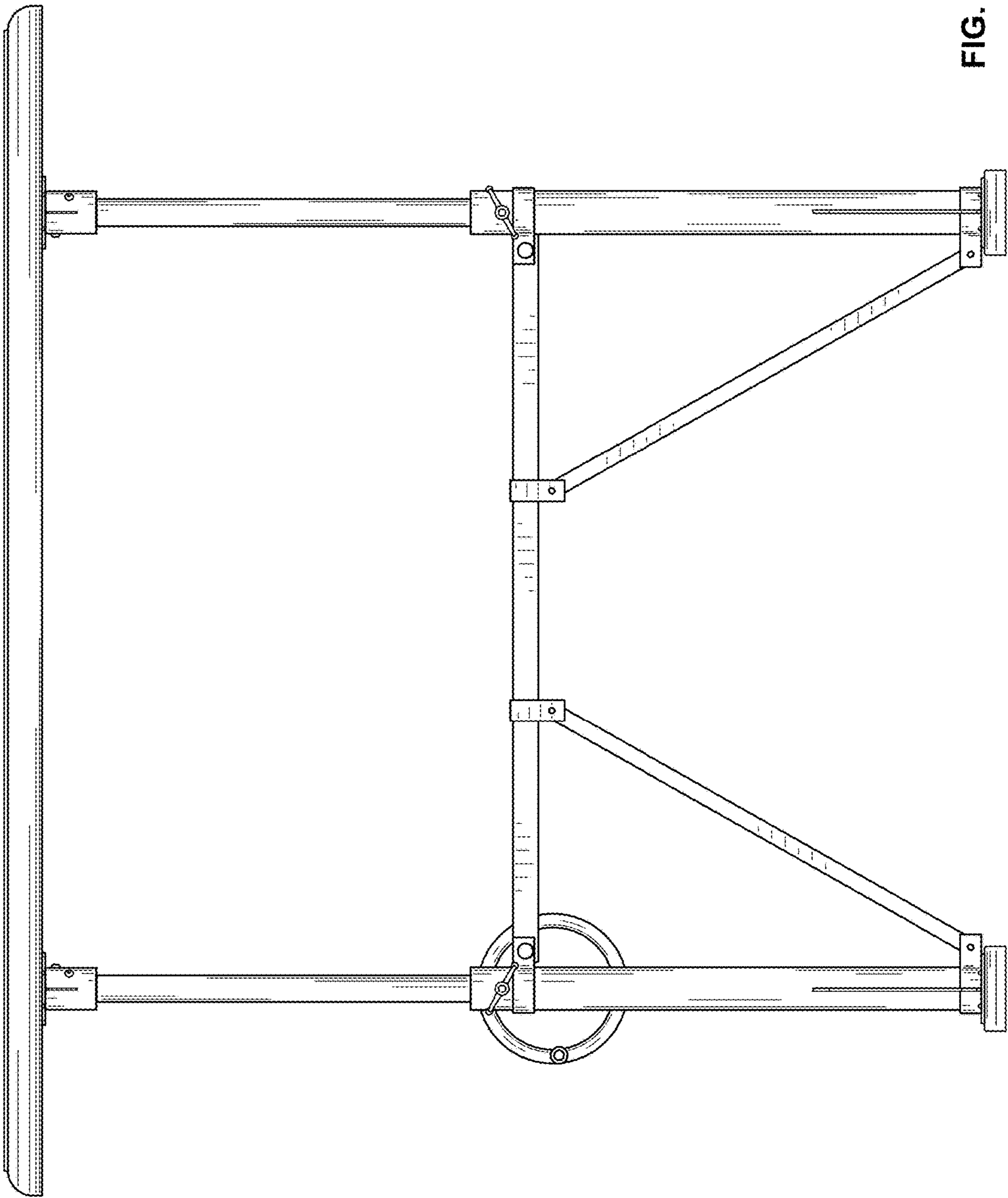


FIG. 3

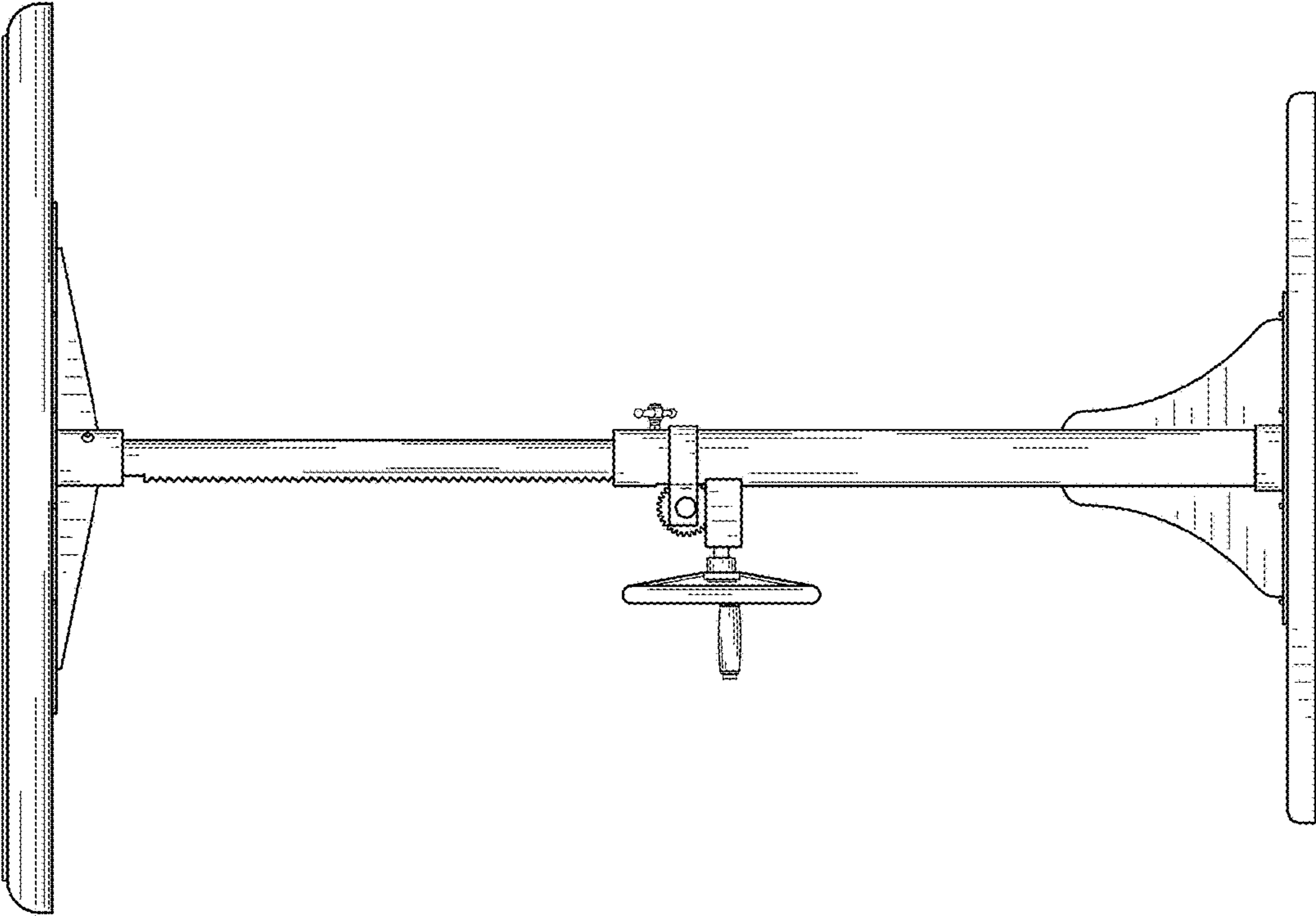


FIG. 4

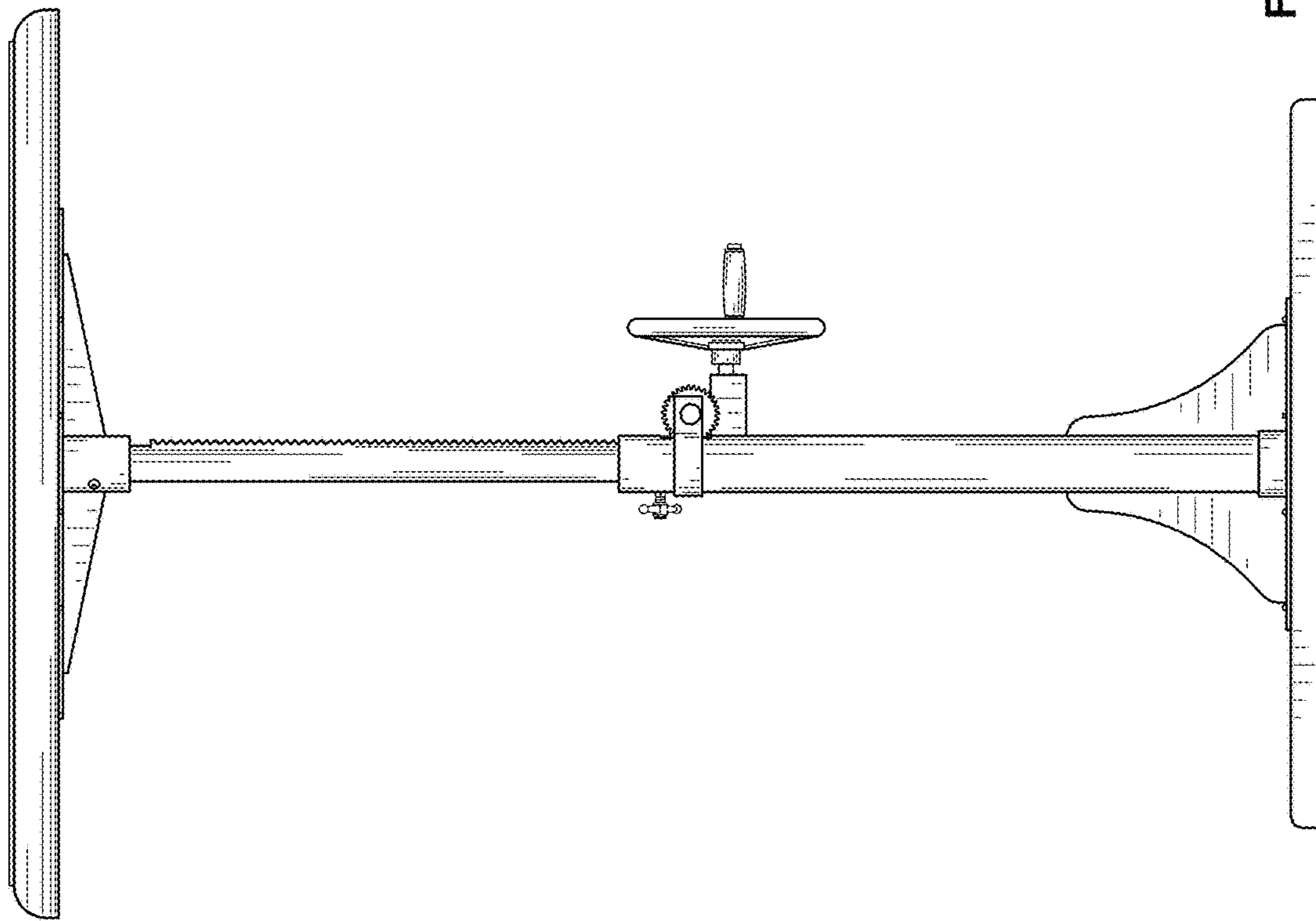


FIG. 5



FIG. 6

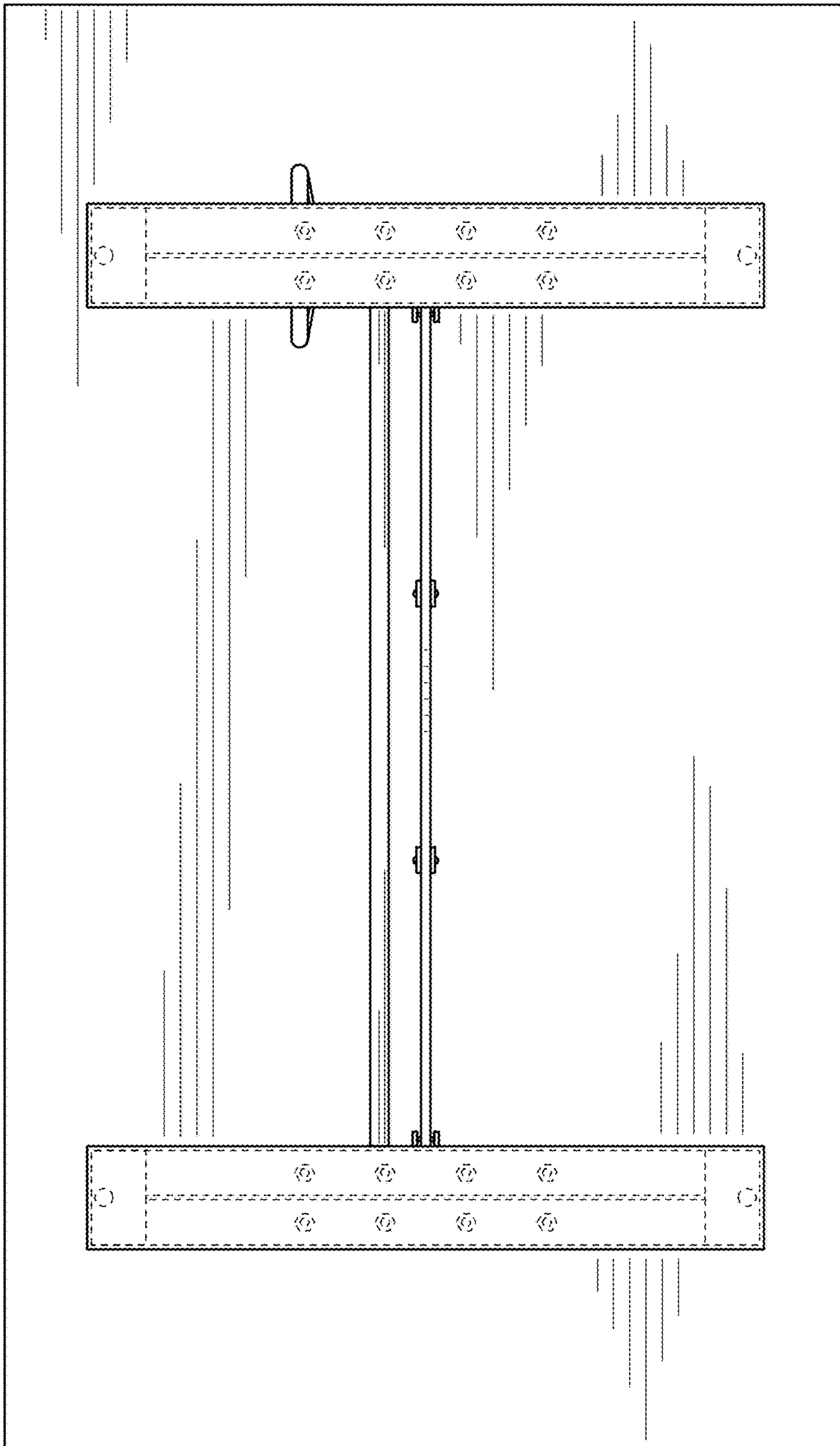


FIG. 7