



US00D794980S

(12) **United States Design Patent**
Weiner et al.

(10) **Patent No.:** **US D794,980 S**

(45) **Date of Patent:** **** Aug. 22, 2017**

(54) **DISPLAY GONDOLA**

(71) Applicant: **ABBOTT RUBBER COMPANY**, Elk Grove Village, IL (US)

(72) Inventors: **Dennis Weiner**, Elk Grove Village, IL (US); **Thomas Ritondale**, Elk Grove Village, IL (US)

(73) Assignee: **ABBOTT RUBBER COMPANY**, Elk Grove Village, IL (US)

(**) Term: **15 Years**

(21) Appl. No.: **29/562,946**

(22) Filed: **Apr. 29, 2016**

(51) **LOC (10) Cl.** **06-04**

(52) **U.S. Cl.**
USPC **D6/553**

(58) **Field of Classification Search**
USPC D6/553, 512, 546, 550, 702; D8/16, 47, D8/339, 349, 367, 363, 373, 374, 376, D8/380-382; D20/40-43, 44, 99
CPC A47F 5/0823; A47F 5/0869; A47F 5/0006; A47F 5/0807; A47F 1/128; A47F 5/01; A47F 5/0815; A47F 7/163; Y10T 24/51; G09F 3/08; G09F 3/20; G09F 3/204; A47G 25/08

See application file for complete search history.

(56) **References Cited**

U.S. PATENT DOCUMENTS

D521,363 S * 5/2006 Copen D8/363

D629,676 S * 12/2010 Langley A47F 5/0823
D8/370
D668,938 S * 10/2012 Morales D8/367
D760,068 S * 6/2016 Sehl D8/367

* cited by examiner

Primary Examiner — Wan Laymon

Assistant Examiner — Mark Booker

(74) *Attorney, Agent, or Firm* — Zareefa B. Flener; Flener IP Law

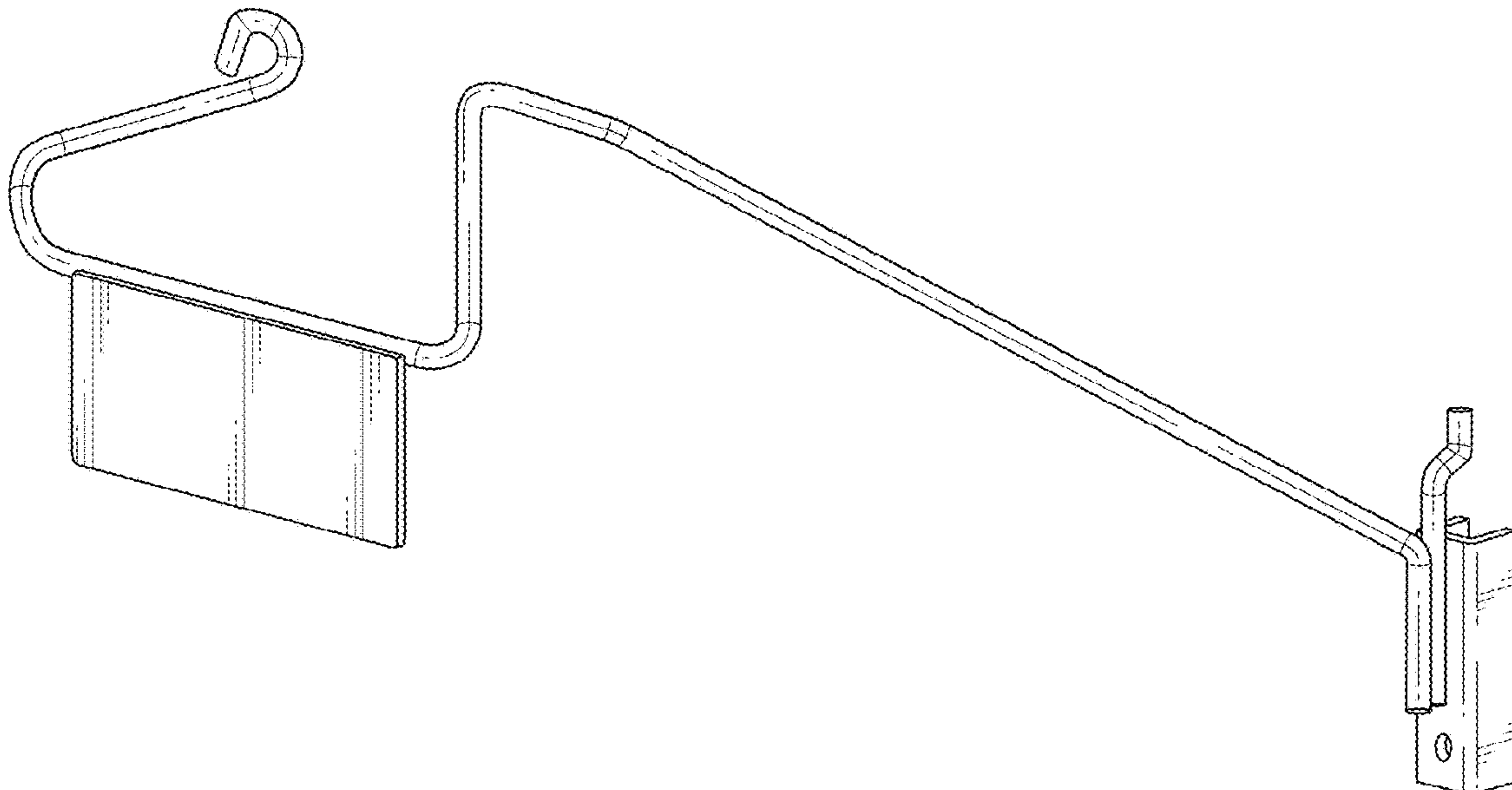
(57) **CLAIM**

The ornamental design for a display gondola, as shown and described.

DESCRIPTION

FIG. 1 is a perspective view of a first embodiment of a display gondola showing my new design with a looped neck; FIG. 2 is a front elevational view thereof; FIG. 3 is a rear elevational view thereof; FIG. 4 is a left side elevational view thereof; FIG. 5 is a right side elevational view thereof; FIG. 6 is a top plan view thereof; FIG. 7 is a bottom plan view thereof; FIG. 8 is a perspective view of a second embodiment of my new design with a looped neck; FIG. 9 is a front elevational view thereof; FIG. 10 is a rear elevational view thereof; FIG. 11 is a left side elevational view thereof; FIG. 12 is a right side elevational view thereof; FIG. 13 is a top plan view thereof; and, FIG. 14 is a bottom plan view thereof. A broken line showing is for illustrative purposes only and forms no part of the claimed design.

1 Claim, 10 Drawing Sheets



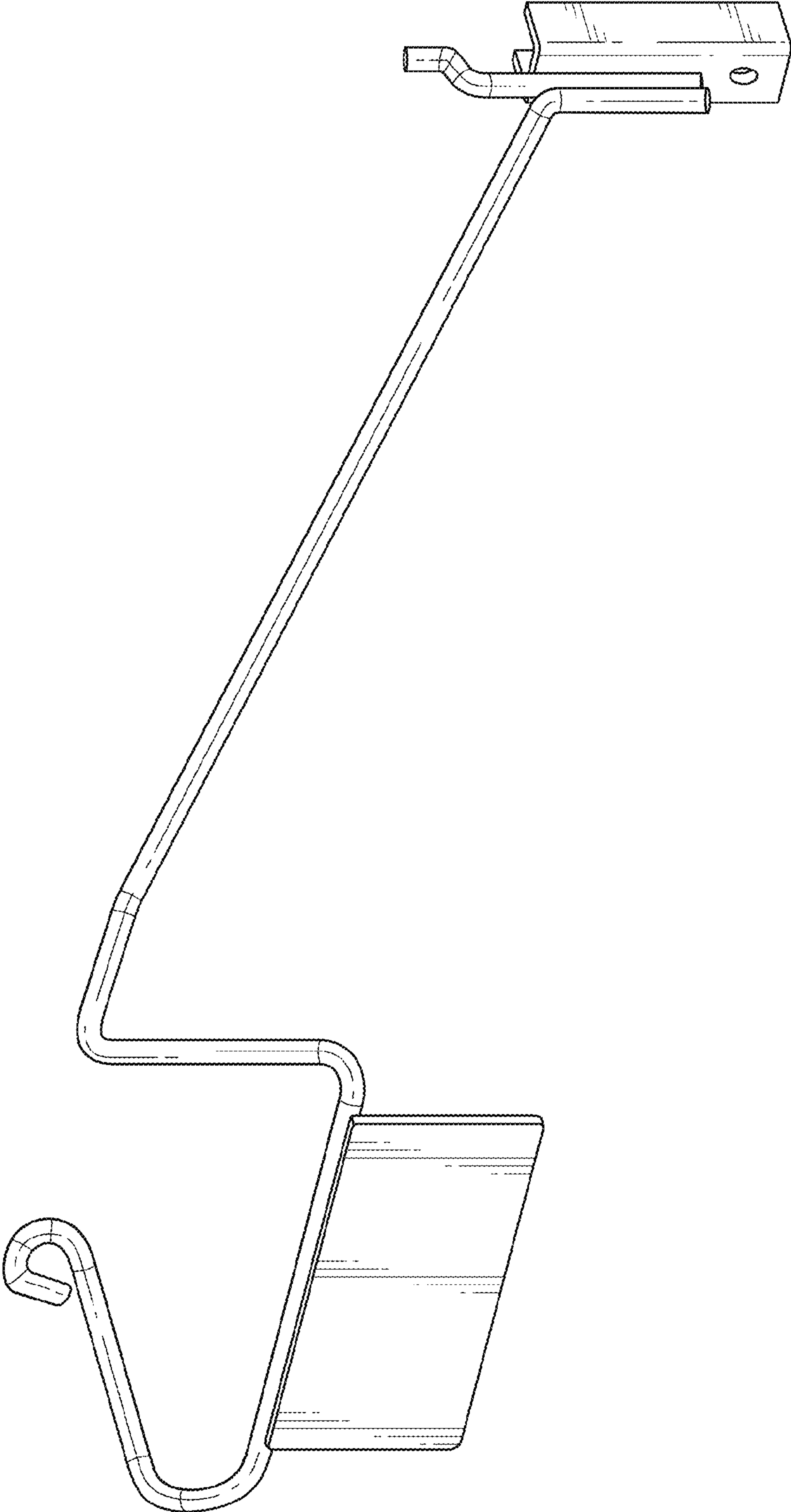


FIG. 1

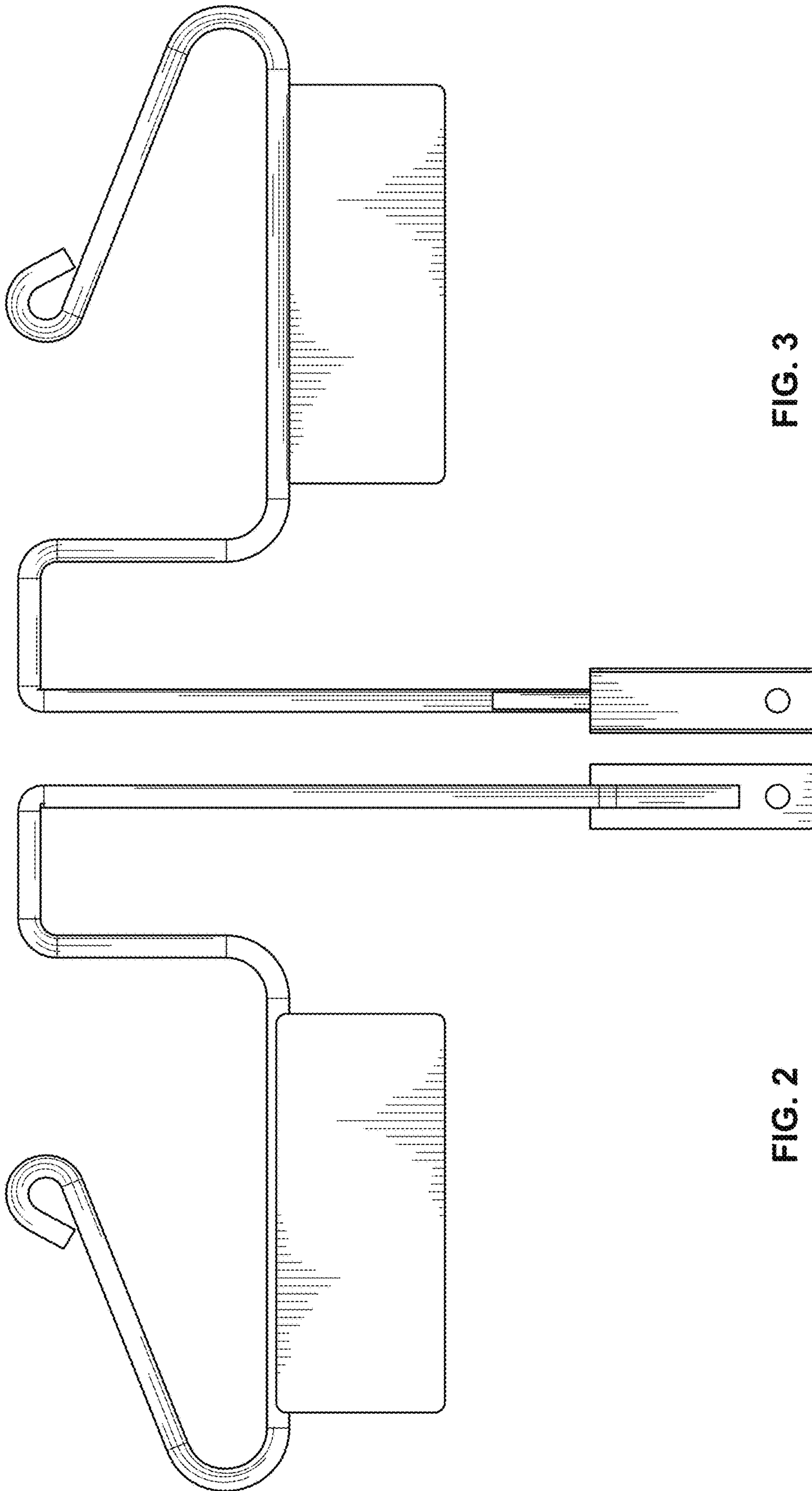


FIG. 3

FIG. 2

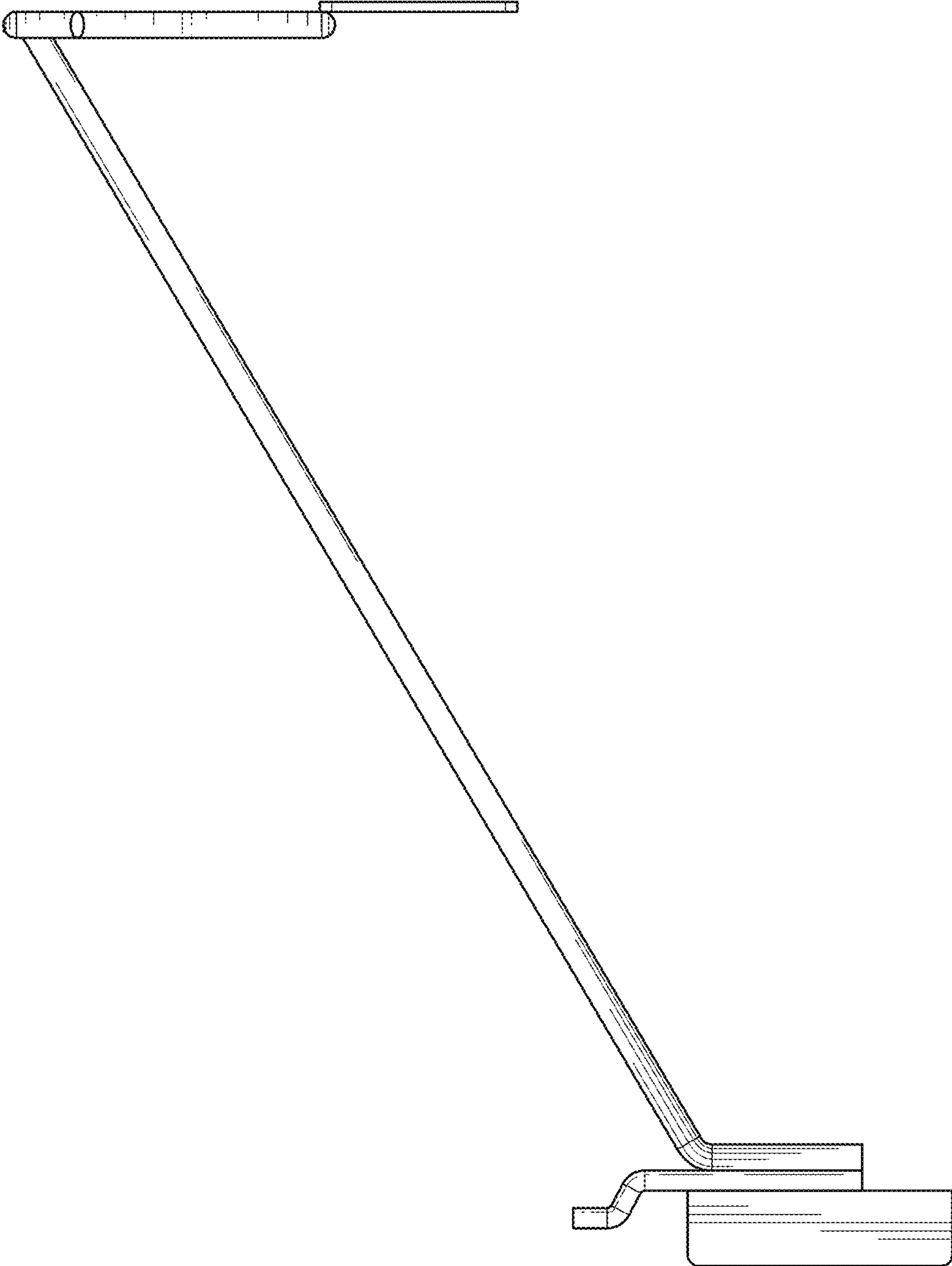


FIG. 4

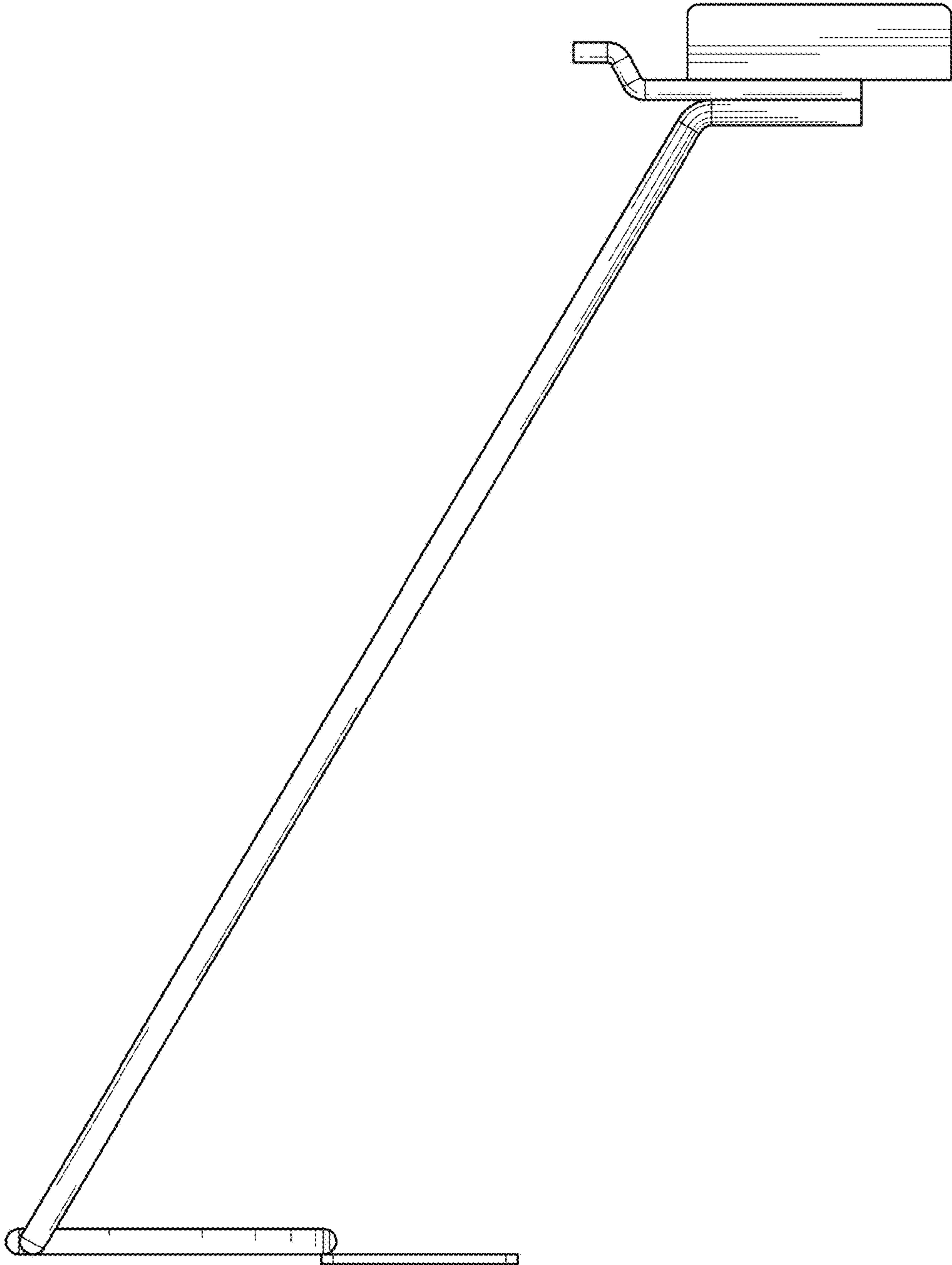


FIG. 5

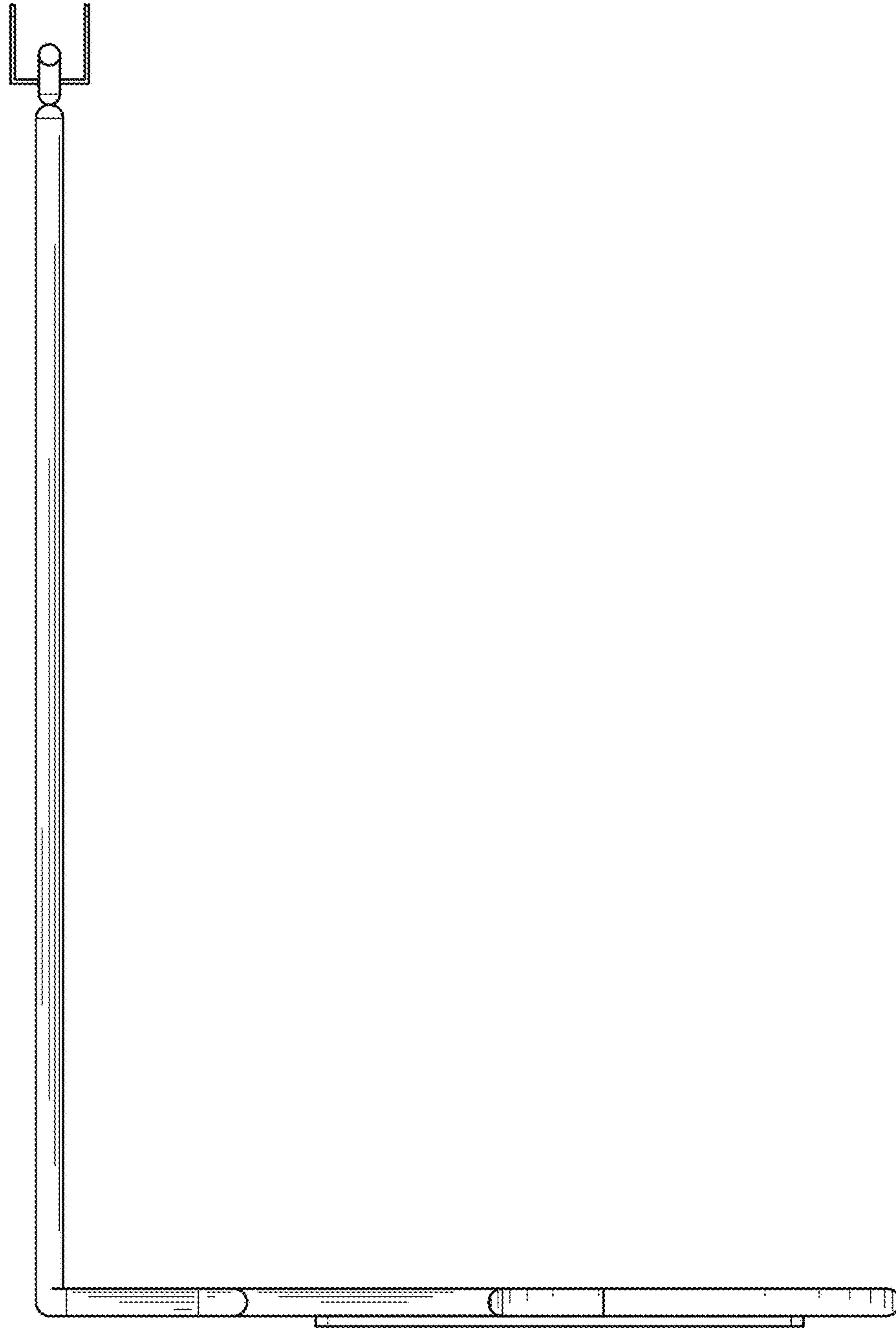


FIG. 6

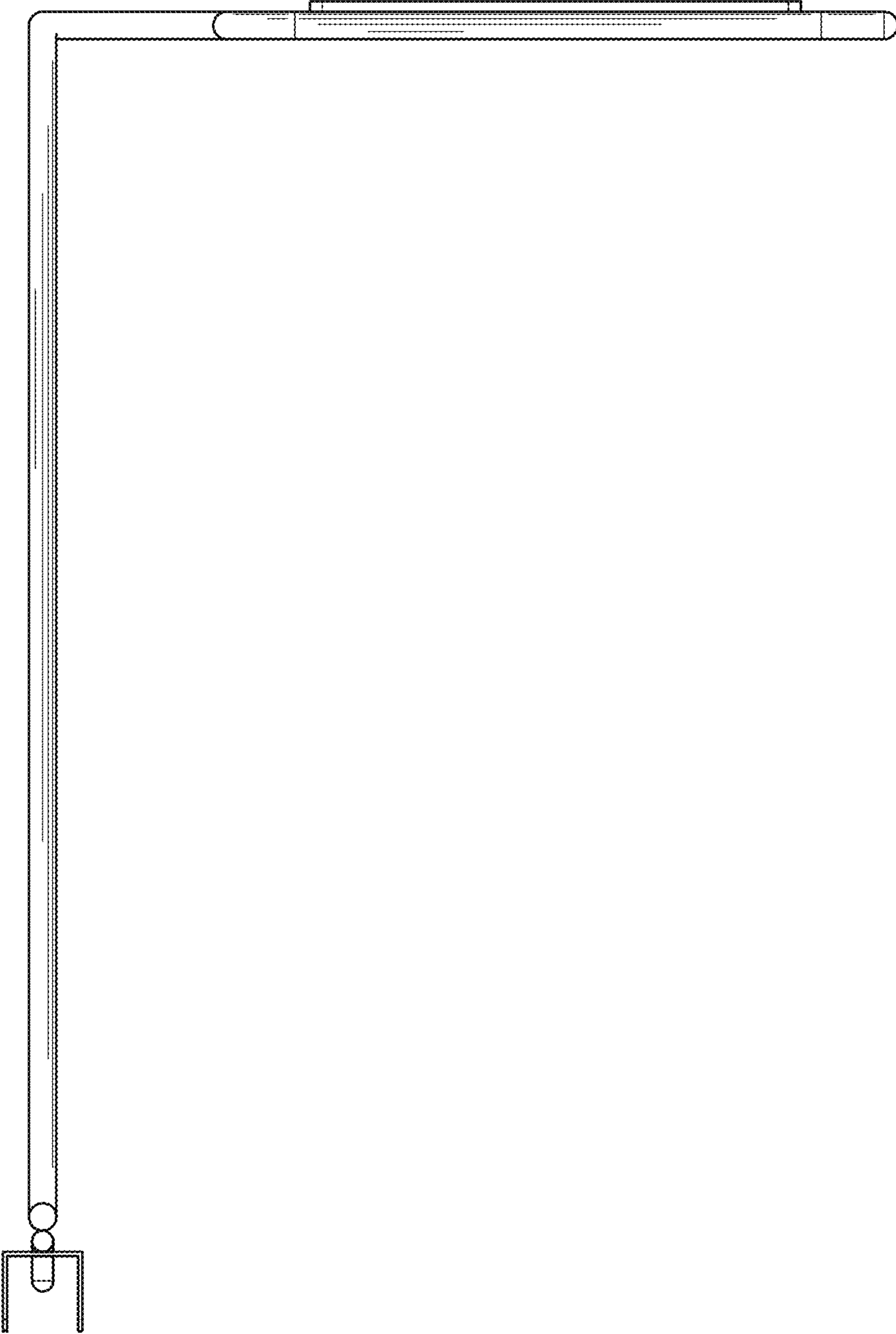


FIG. 7

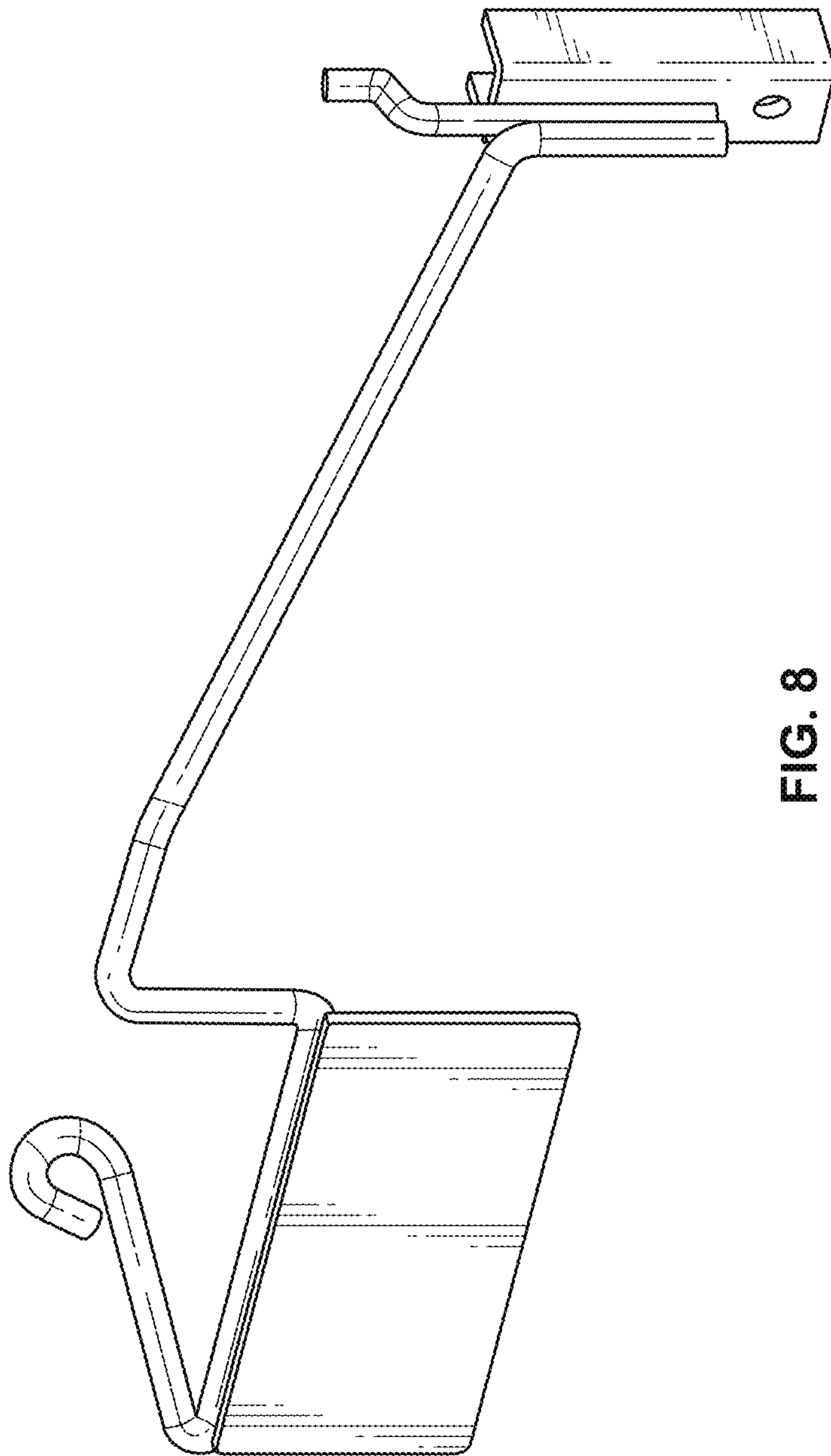


FIG. 8

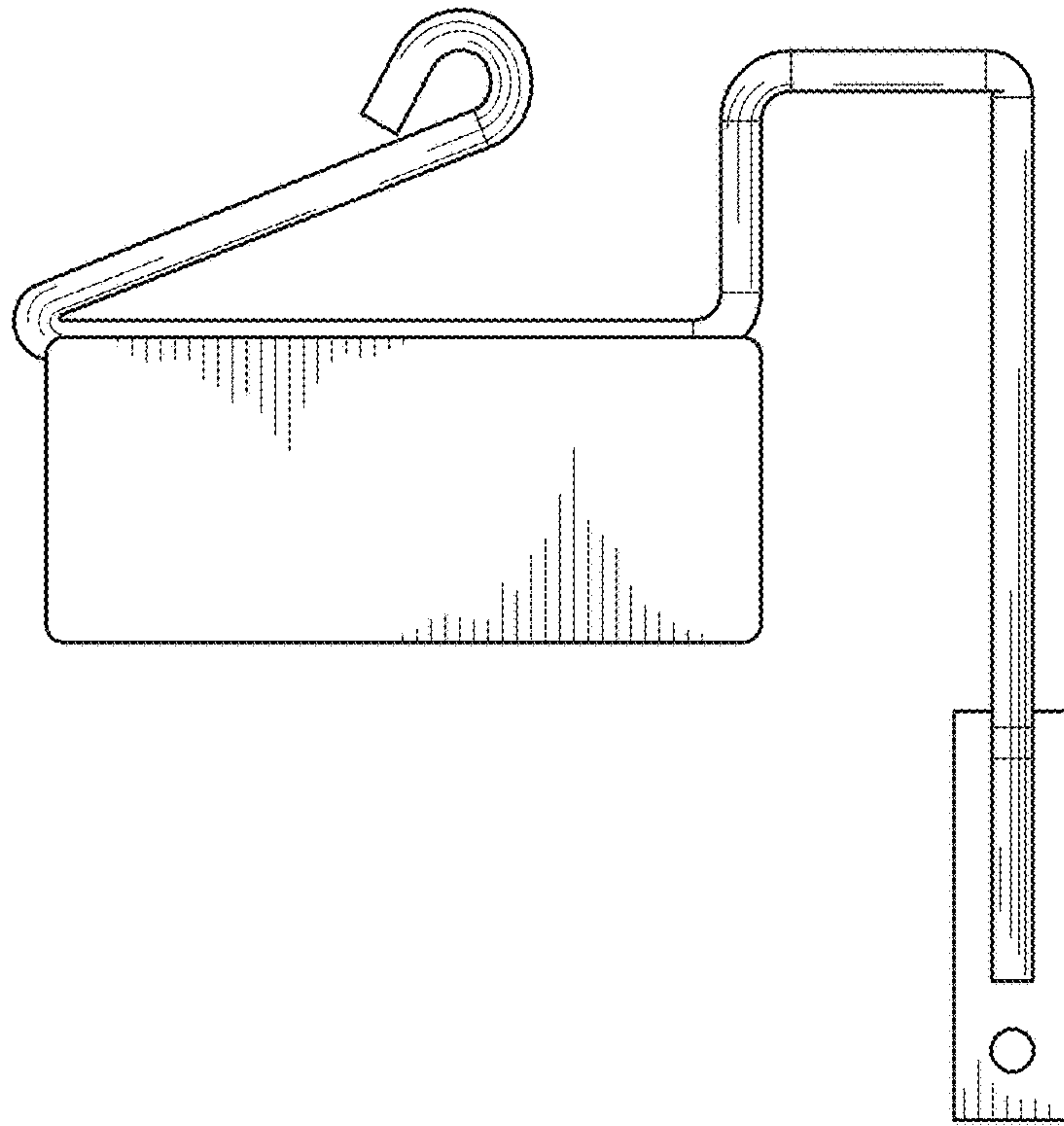


FIG. 9

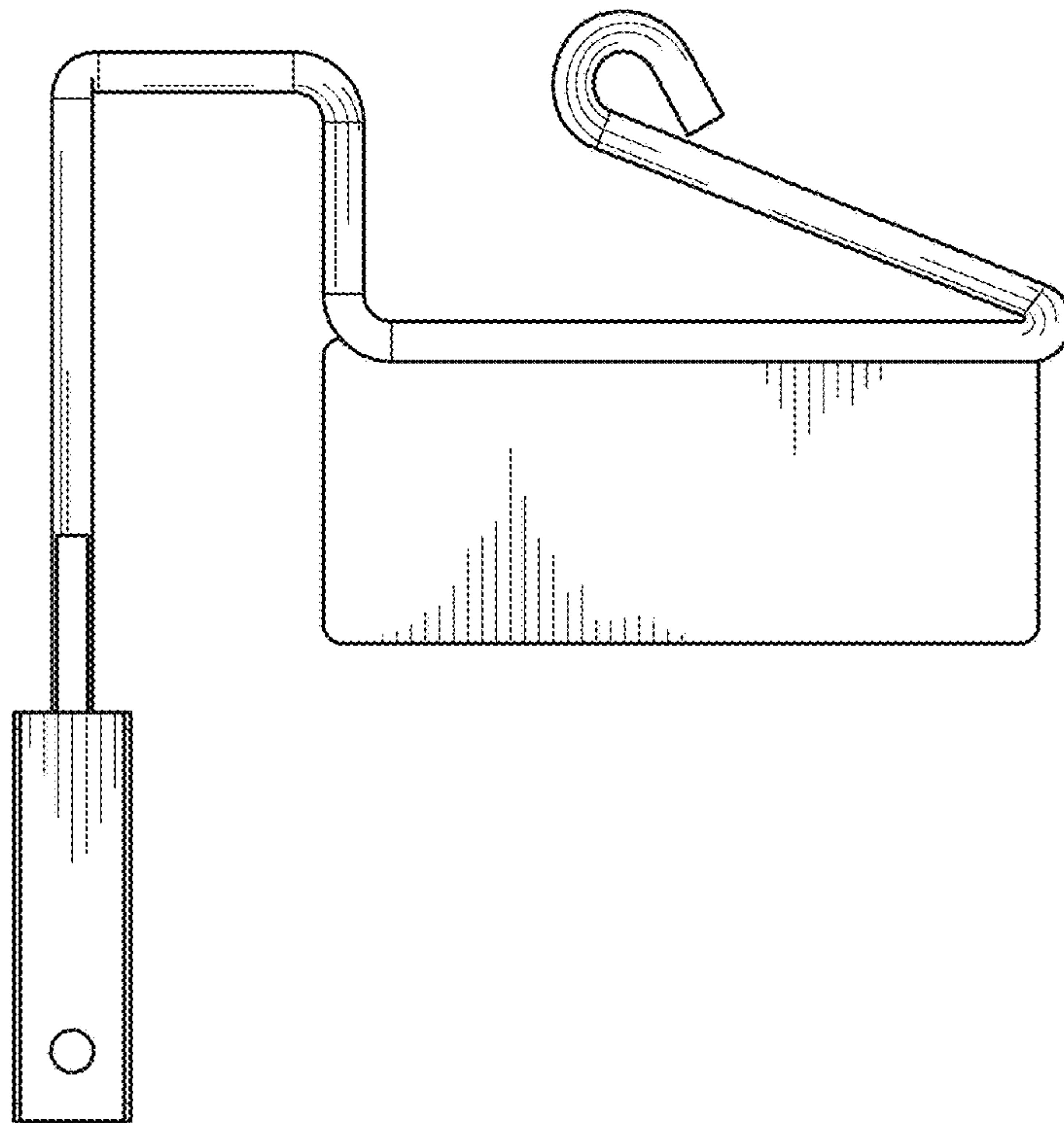


FIG. 10

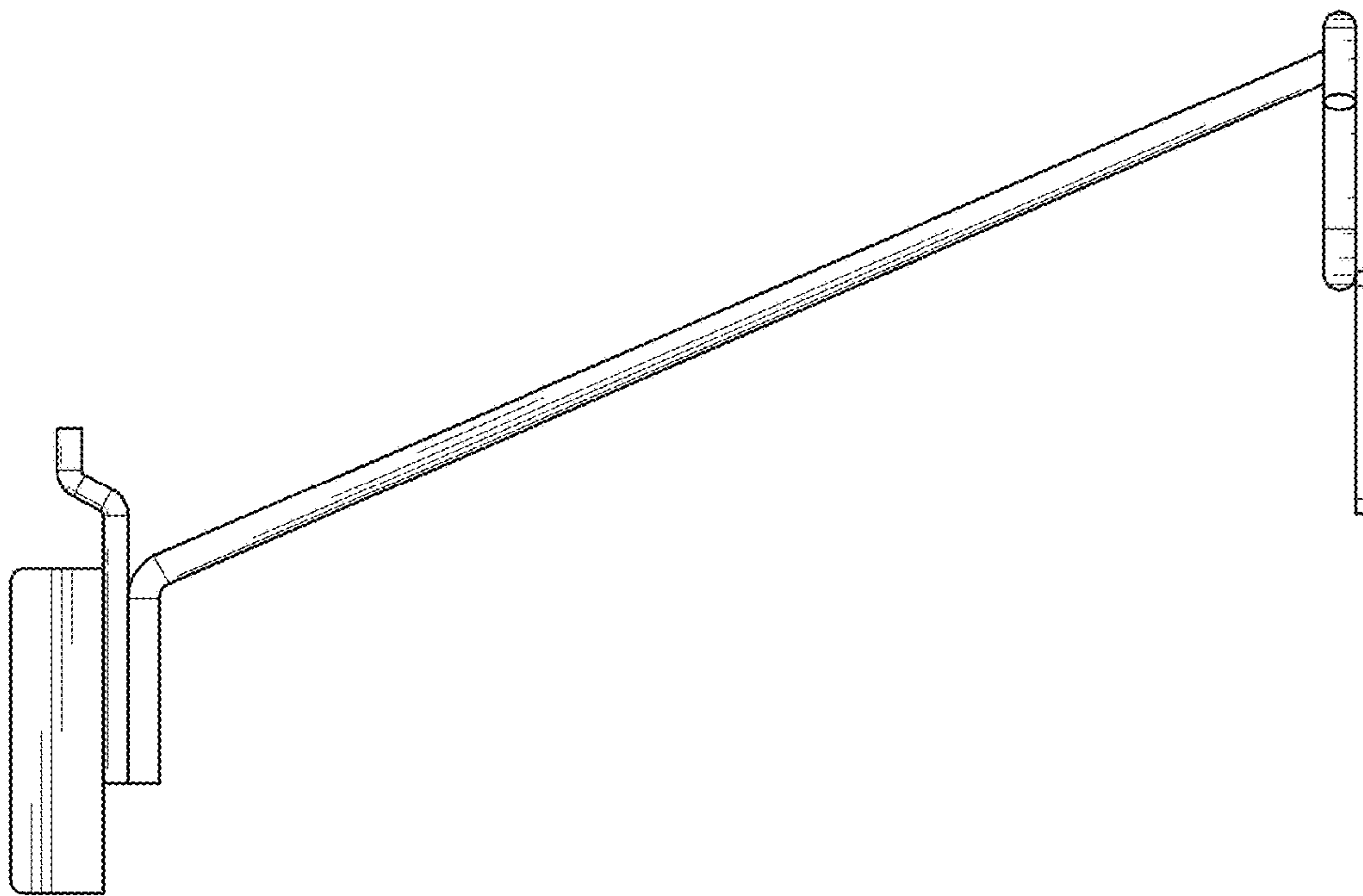


FIG. 11

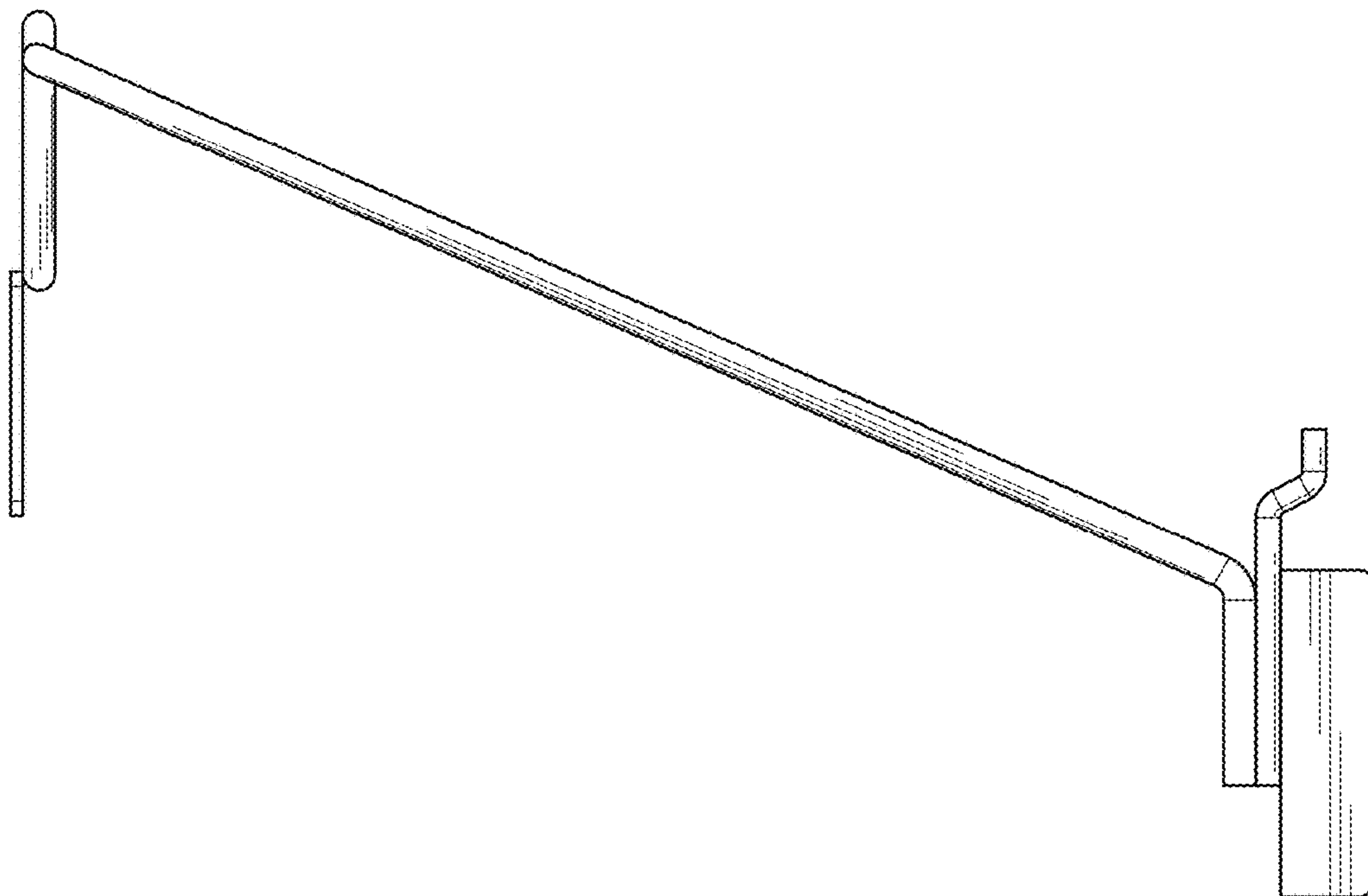


FIG. 12



FIG. 13



FIG. 14