



US00D794978S

(12) **United States Design Patent** (10) **Patent No.:** **US D794,978 S**  
**Spencer** (45) **Date of Patent:** **\*\* Aug. 22, 2017**

(54) **BATH SOAP AND DISPENSER**

(71) Applicant: **Richard Donald Spencer**, Wray, CO (US)

(72) Inventor: **Richard Donald Spencer**, Wray, CO (US)

(\*\*) Term: **15 Years**

(21) Appl. No.: **29/548,192**

(22) Filed: **Dec. 10, 2015**

(51) **LOC (10) Cl.** ..... **23-02**

(52) **U.S. Cl.**  
 USPC ..... **D6/545**

(58) **Field of Classification Search**  
 USPC ..... D6/545, 515, 517, 524, 542; 211/13.1, 211/85.12; 206/77.1, 812, 823; 221/282, 221/283; 222/173, 180, 181.1, 181.2, 222/181.3  
 CPC ..... A61Q 19/10; A61Q 15/00; A61Q 5/02  
 See application file for complete search history.

(56) **References Cited**

U.S. PATENT DOCUMENTS

D308,784 S *	6/1990	Liptak	.....	D6/553
D434,880 S *	12/2000	McNary	.....	D30/101
D474,056 S *	5/2003	Mandell	.....	D6/518
D483,587 S *	12/2003	Snell	.....	D6/525
D490,857 S *	6/2004	Snell	.....	D19/78
D532,235 S *	11/2006	Snell	.....	D6/567

D639,092 S *	6/2011	Lundy	.....	D6/513
D642,841 S *	8/2011	Dretzka	.....	D6/553
8,636,143 B1 *	1/2014	Hebert	.....	A45C 3/06 206/223
D708,841 S *	7/2014	Hebert	.....	D3/205
D719,373 S *	12/2014	Hawry	.....	D6/518
D732,309 S *	6/2015	Lisbona Vives	.....	D6/545
D747,118 S *	1/2016	Lisbona Vives	.....	D6/545

\* cited by examiner

*Primary Examiner* — David Muller  
*Assistant Examiner* — Nathan Johnston  
 (74) *Attorney, Agent, or Firm* — RG Patent Consulting, LLC; Rachel Gilboy

(57) **CLAIM**

The ornamental design for the bath soap and dispenser, as described and shown.

**DESCRIPTION**

FIG. 1 is a perspective see-through view of the bath soap and dispenser showing my new design with the top hinged lid of the housing in an open position and the bar soap contained therein;

FIG. 2 is a front side elevation thereof, showing the dispenser with a closed lid;

FIG. 3 is a rear side elevation thereof;

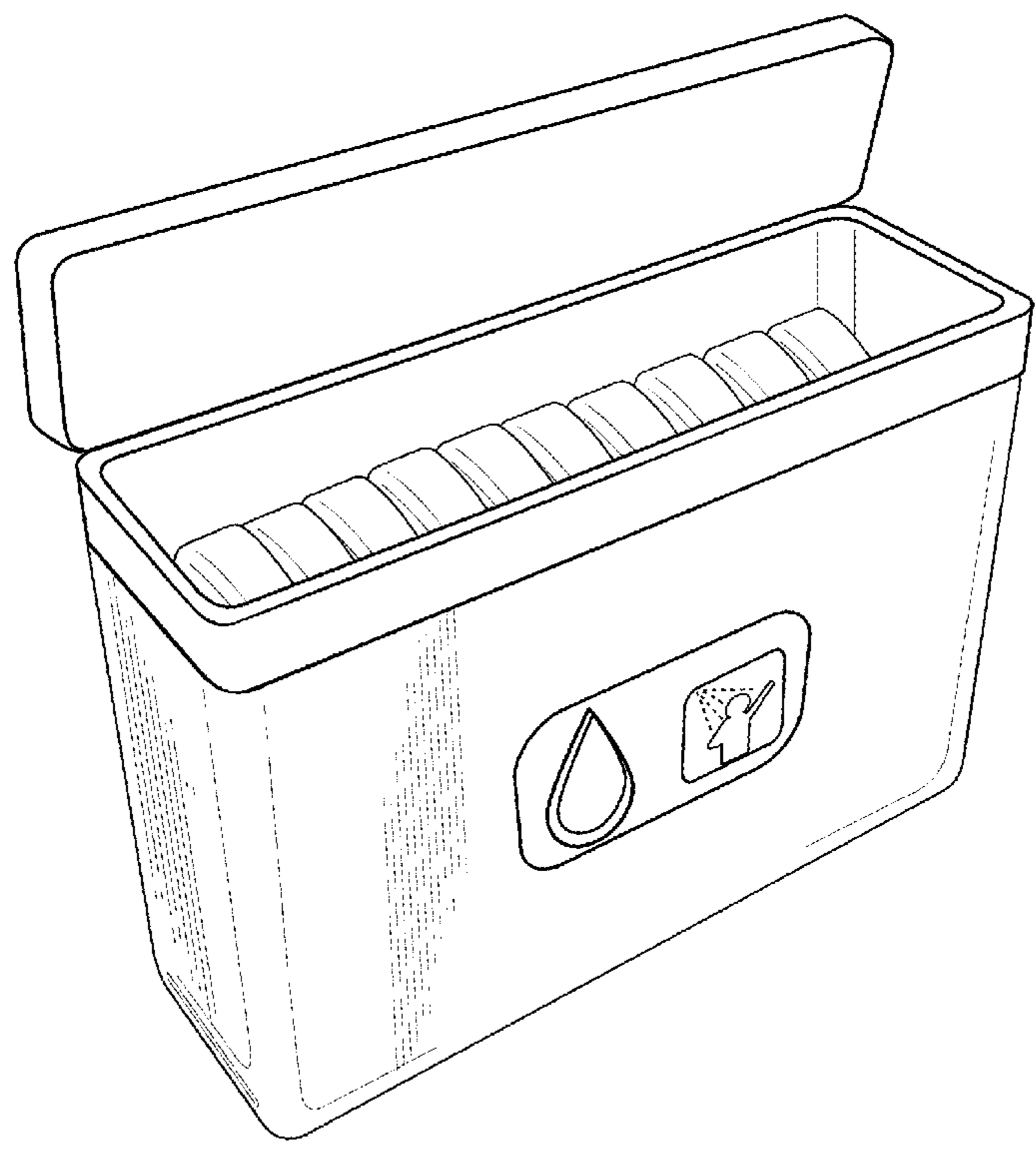
FIG. 4 is a right side elevation thereof;

FIG. 5 is a left side elevation thereof;

FIG. 6 is a top plan view thereof; and,

FIG. 7 is a bottom plan view thereof.

**1 Claim, 7 Drawing Sheets**



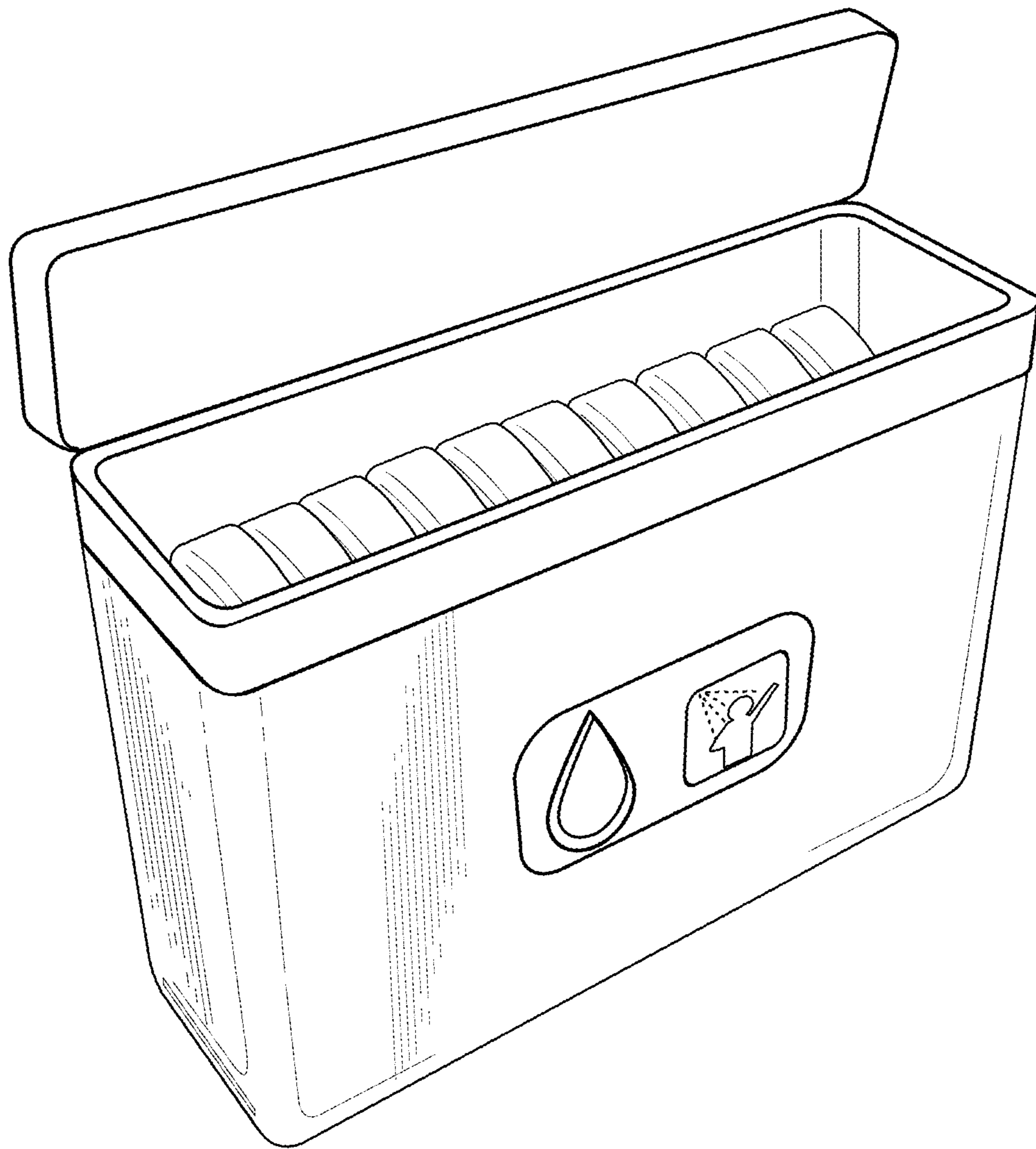


FIG. 1

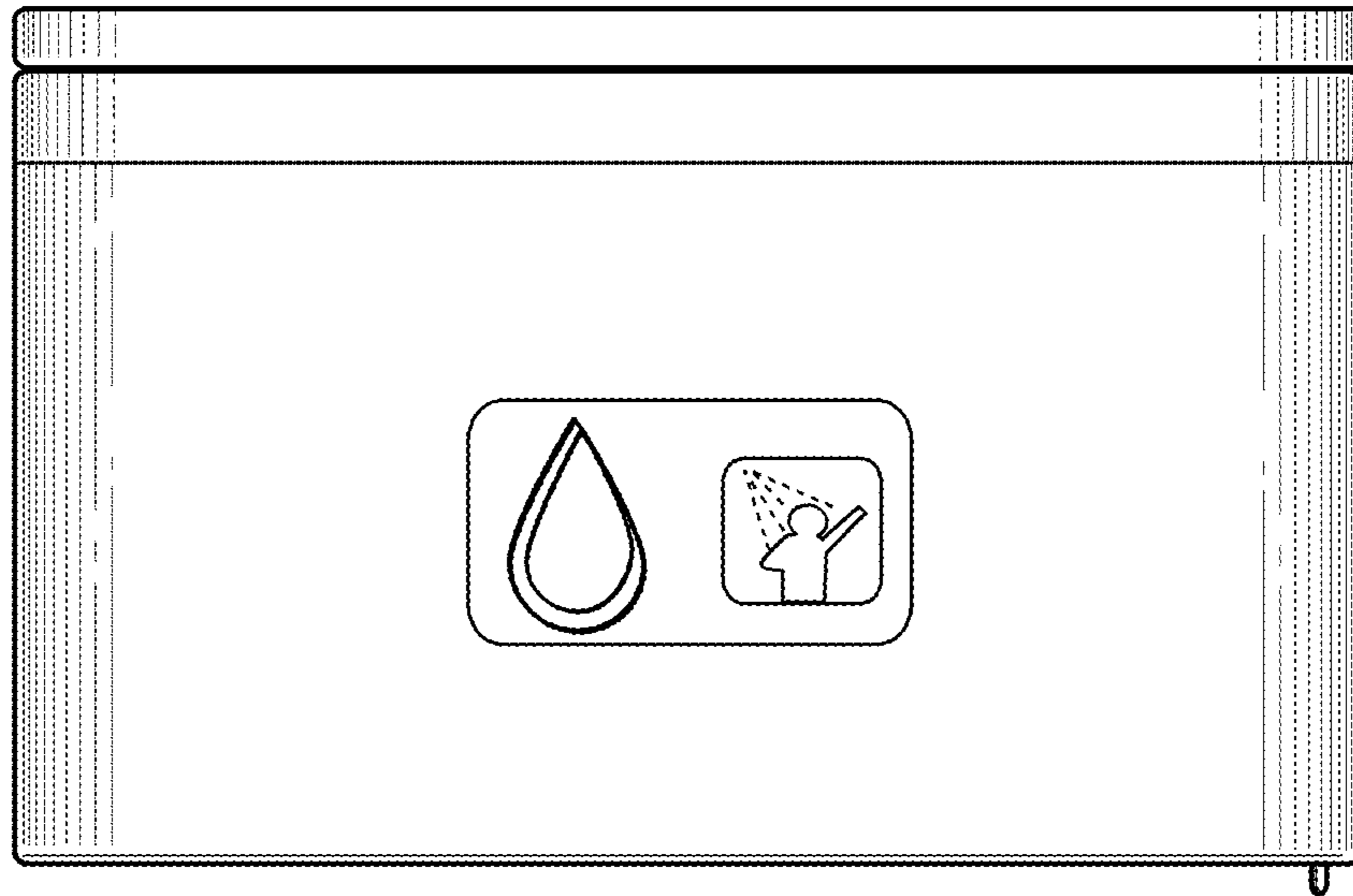


FIG. 2

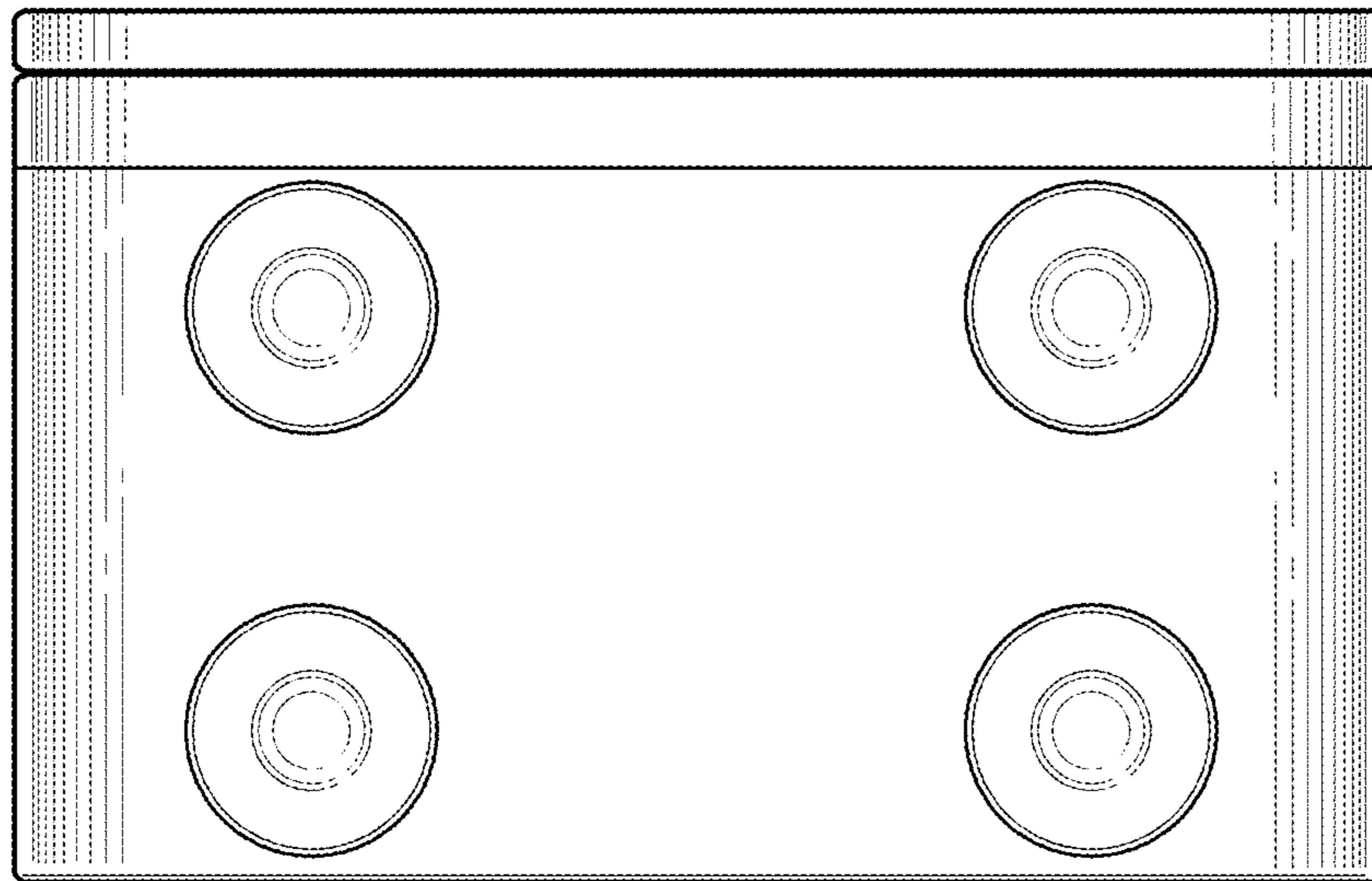


FIG. 3

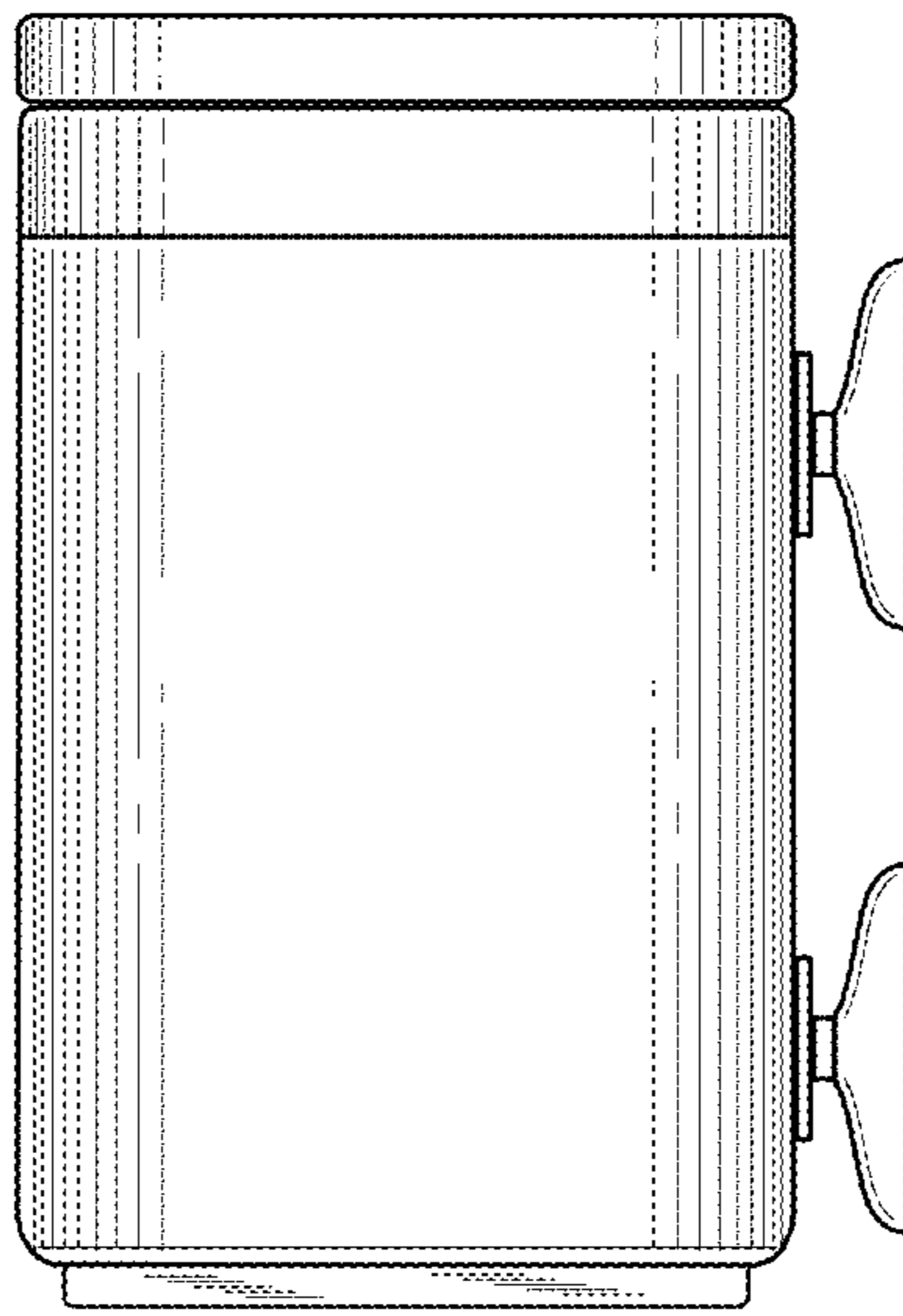


FIG. 4

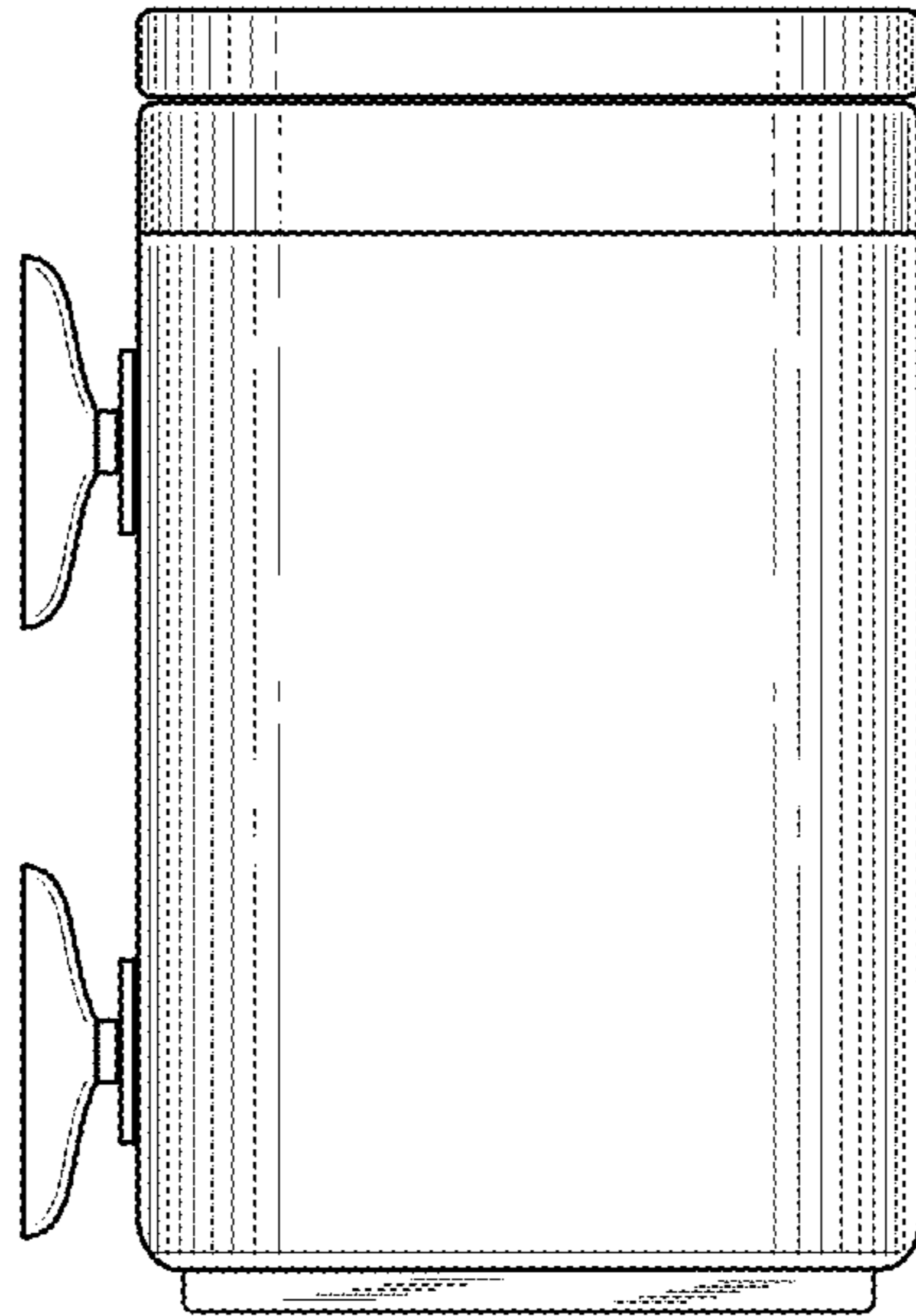


FIG. 5

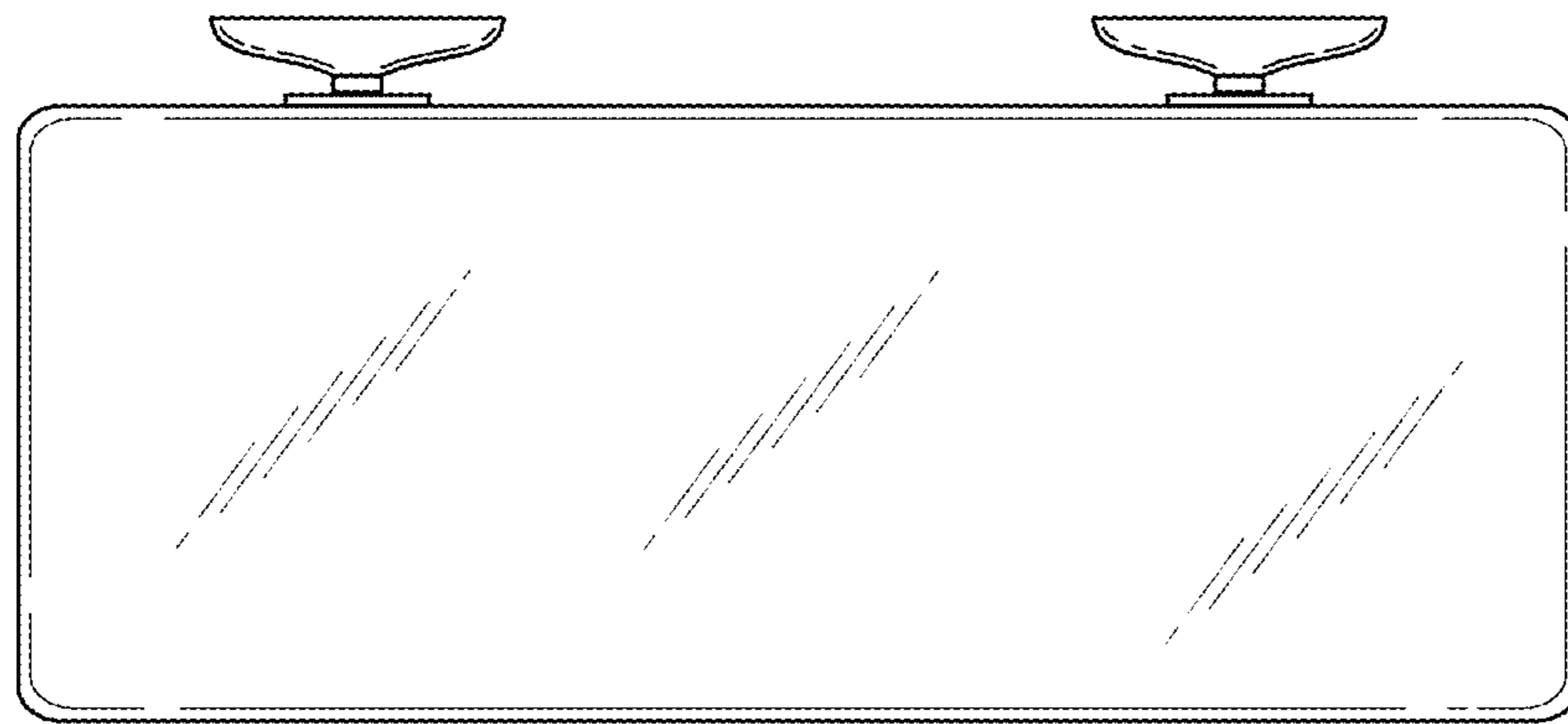


FIG. 6



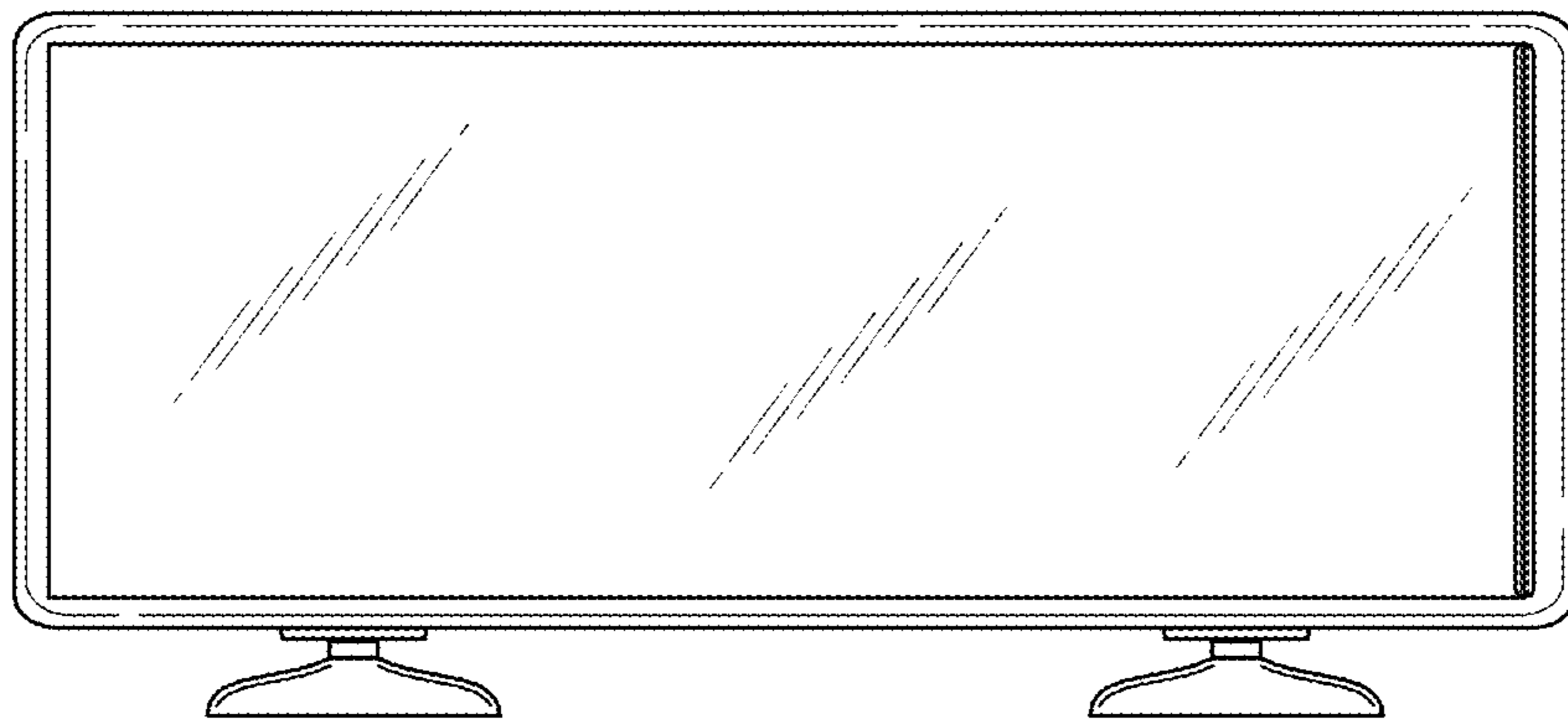


FIG. 7