



US00D794977S

(12) **United States Design Patent** (10) **Patent No.:** **US D794,977 S**
Goodman et al. (45) **Date of Patent:** **** Aug. 22, 2017**

(54) **PAPER TOWEL HOLDER**
(71) Applicant: **Spectrum Diversified Designs, LLC**,
Streetsboro, OH (US)
(72) Inventors: **Aaron D. Goodman**, Beachwood, OH
(US); **Courtney K. Wilson**, Chardon,
OH (US)
(73) Assignee: **Spectrum Diversified Designs, LLC**,
Streetsboro, OH (US)
(**) Term: **15 Years**
(21) Appl. No.: **29/563,872**
(22) Filed: **May 9, 2016**
(51) **LOC (10) Cl.** **20-02**
(52) **U.S. Cl.**
USPC **D6/521**
(58) **Field of Classification Search**
USPC D6/518-522; 206/389, 391; 211/13.1,
211/45, 59.1, 89.01; 242/570, 590,
242/597.7; 248/309.1, 309.2
CPC A47K 10/04; A47K 10/02; A47K 10/10;
A47K 10/3836; A47K 2010/324; A47K
2010/389; B08B 1/006
See application file for complete search history.

D653,889 S * 2/2012 Guindi D6/521
D717,564 S * 11/2014 Goodman D6/521
D758,755 S * 6/2016 Goodman D6/521

OTHER PUBLICATIONS

Pending U.S. Appl. No. 29/550,823, filed Jan. 7, 2016.
Pending U.S. Appl. No. 29/554,742, filed Feb. 15, 2016.

* cited by examiner

Primary Examiner — Wan Laymon
Assistant Examiner — Mark Booker
(74) *Attorney, Agent, or Firm* — Benesch, Friedlander,
Coplan & Aronoff LLP

(57) **CLAIM**

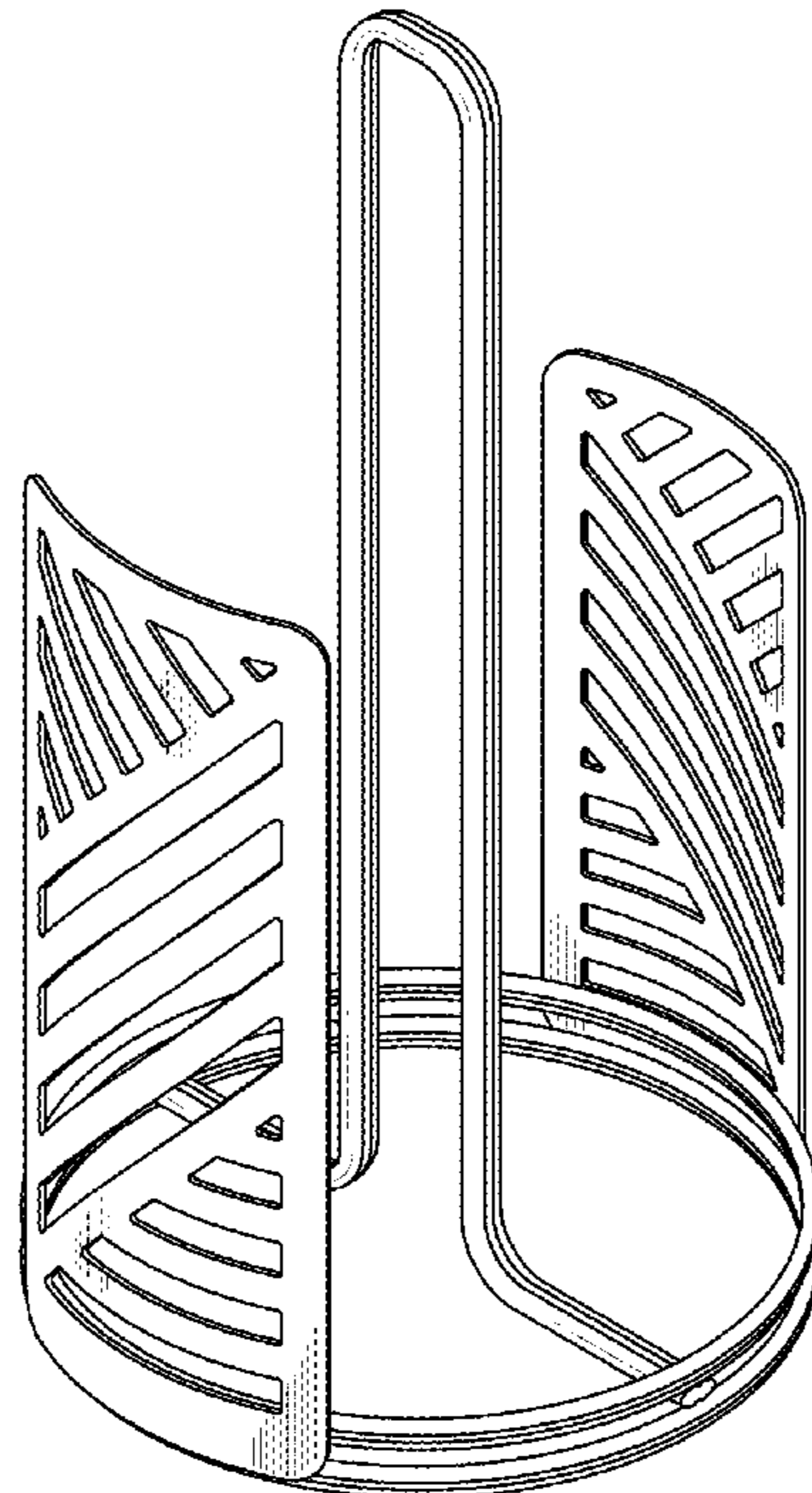
What is claimed is the ornamental design for a paper towel holder, as shown and described.

DESCRIPTION

FIG. 1 is a perspective view of a paper towel holder showing a new design;
FIG. 2 is a front view of the paper towel holder of FIG. 1;
FIG. 3 is a rear view of the paper towel holder of FIG. 1;
FIG. 4 is a right side view of the paper towel holder of FIG. 1;
FIG. 5 is a left side view of the paper towel holder of FIG. 1;
FIG. 6 is a top view of the paper towel holder of FIG. 1; and,
FIG. 7 is a bottom view of the paper towel holder of FIG. 1.
The components of the display shown in broken lines illustrate portions of the paper towel holder which form no part of the claimed design.

(56) **References Cited**
U.S. PATENT DOCUMENTS
D390,054 S * 2/1998 Goodman D6/521
D452,398 S * 12/2001 Hollinger D6/522
D474,634 S * 5/2003 Ancona D6/521
D628,836 S * 12/2010 Guindi D6/521

1 Claim, 4 Drawing Sheets



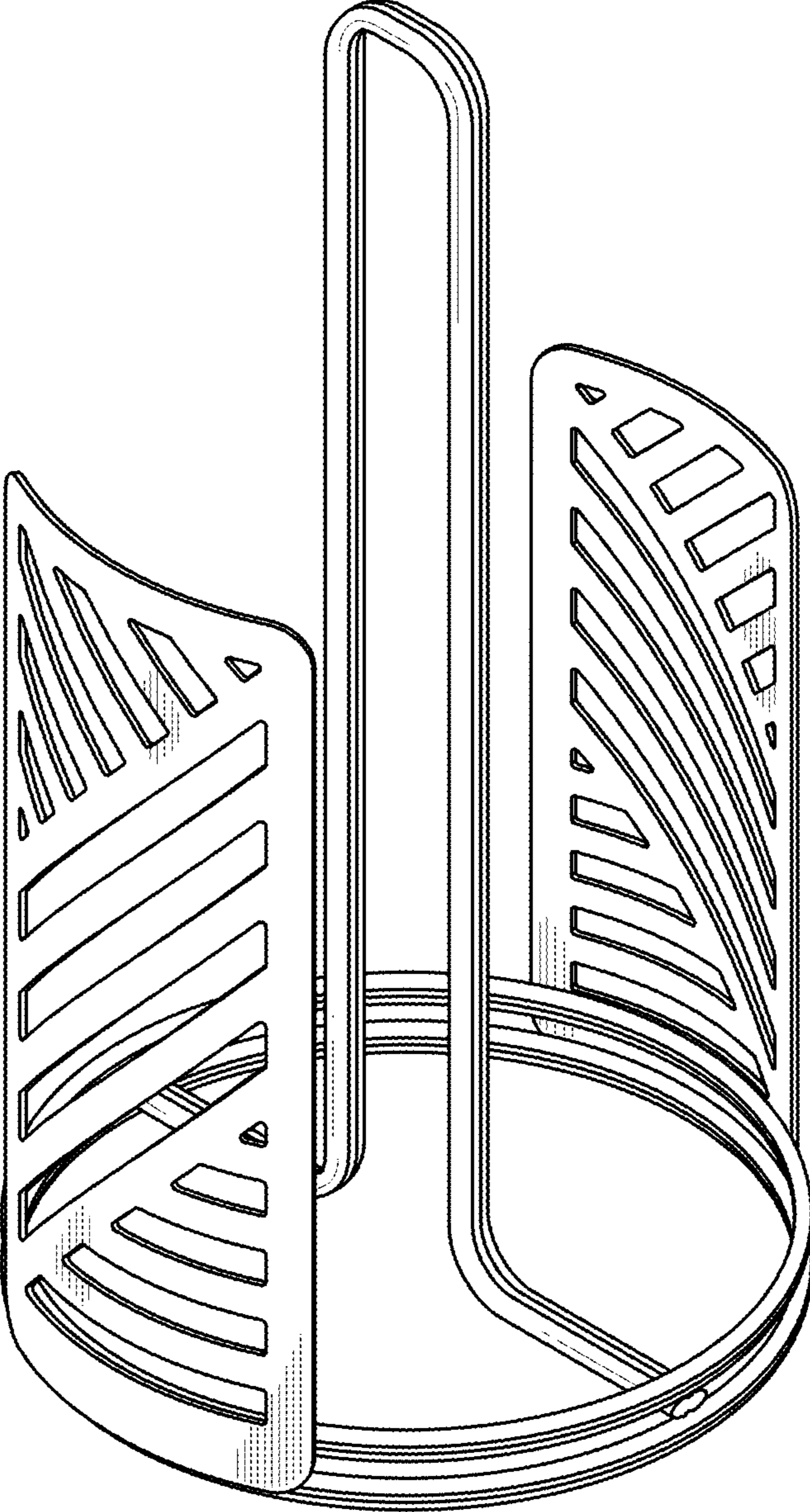


FIG. 1

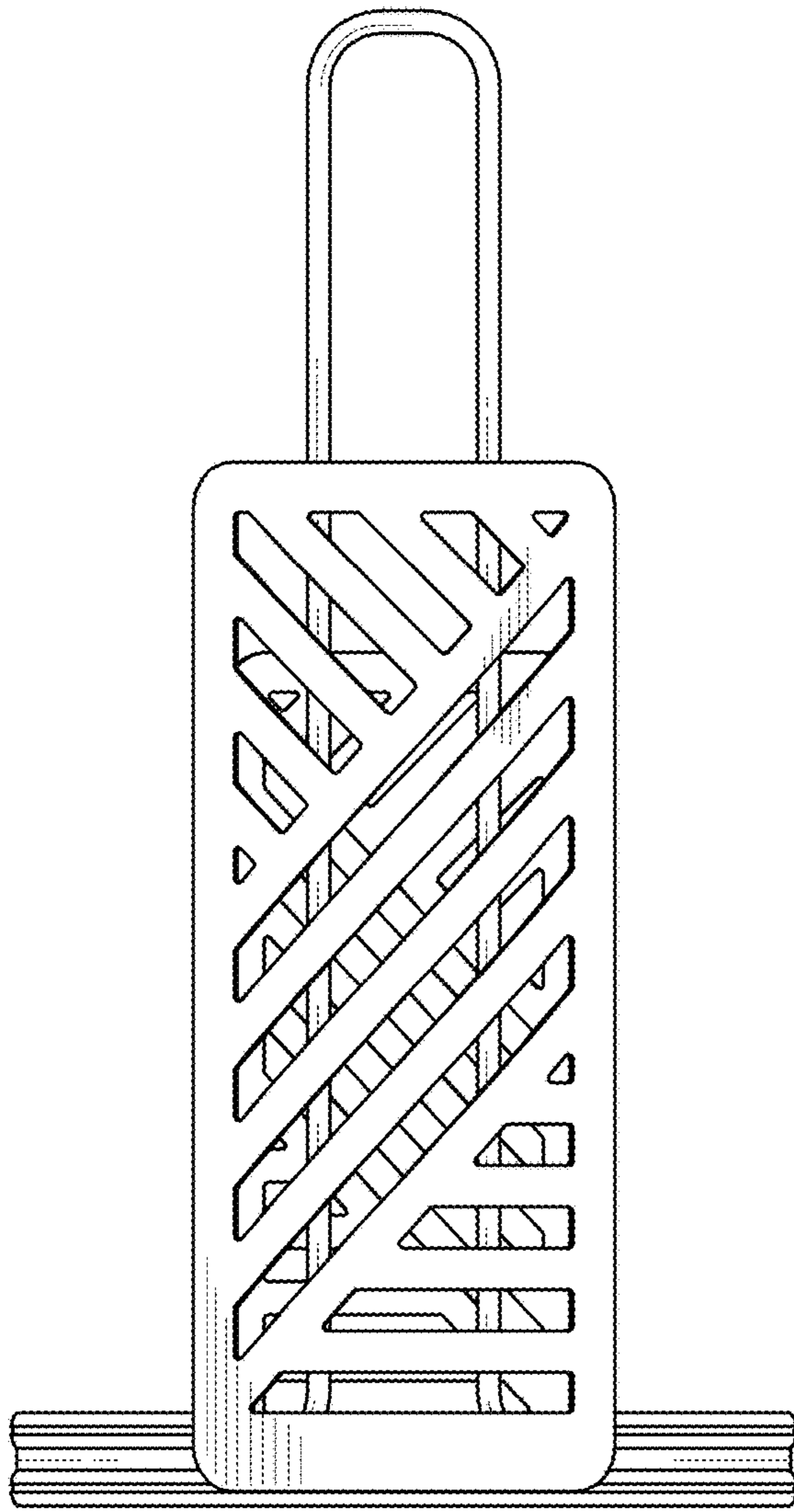


FIG. 2

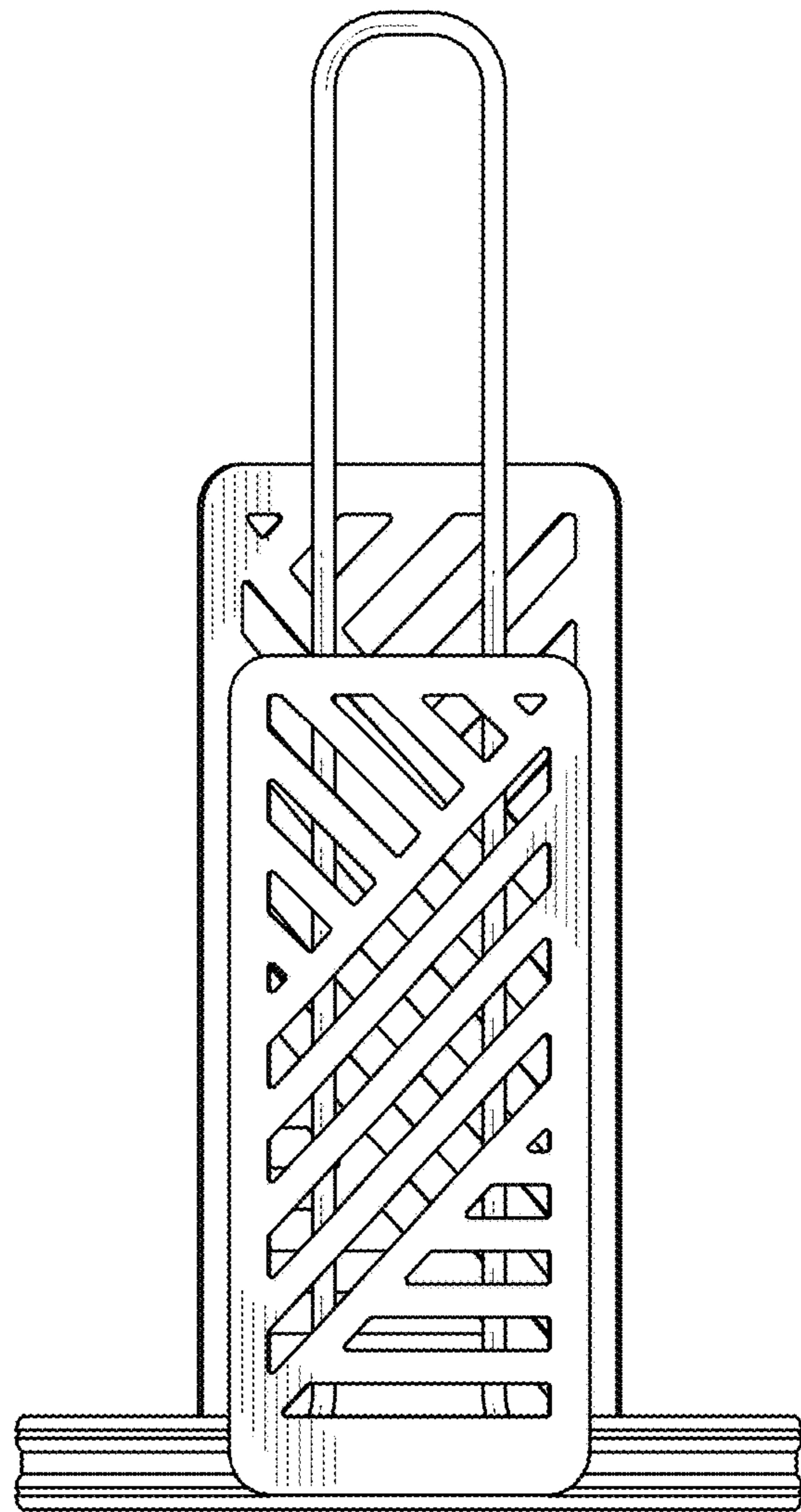


FIG. 3

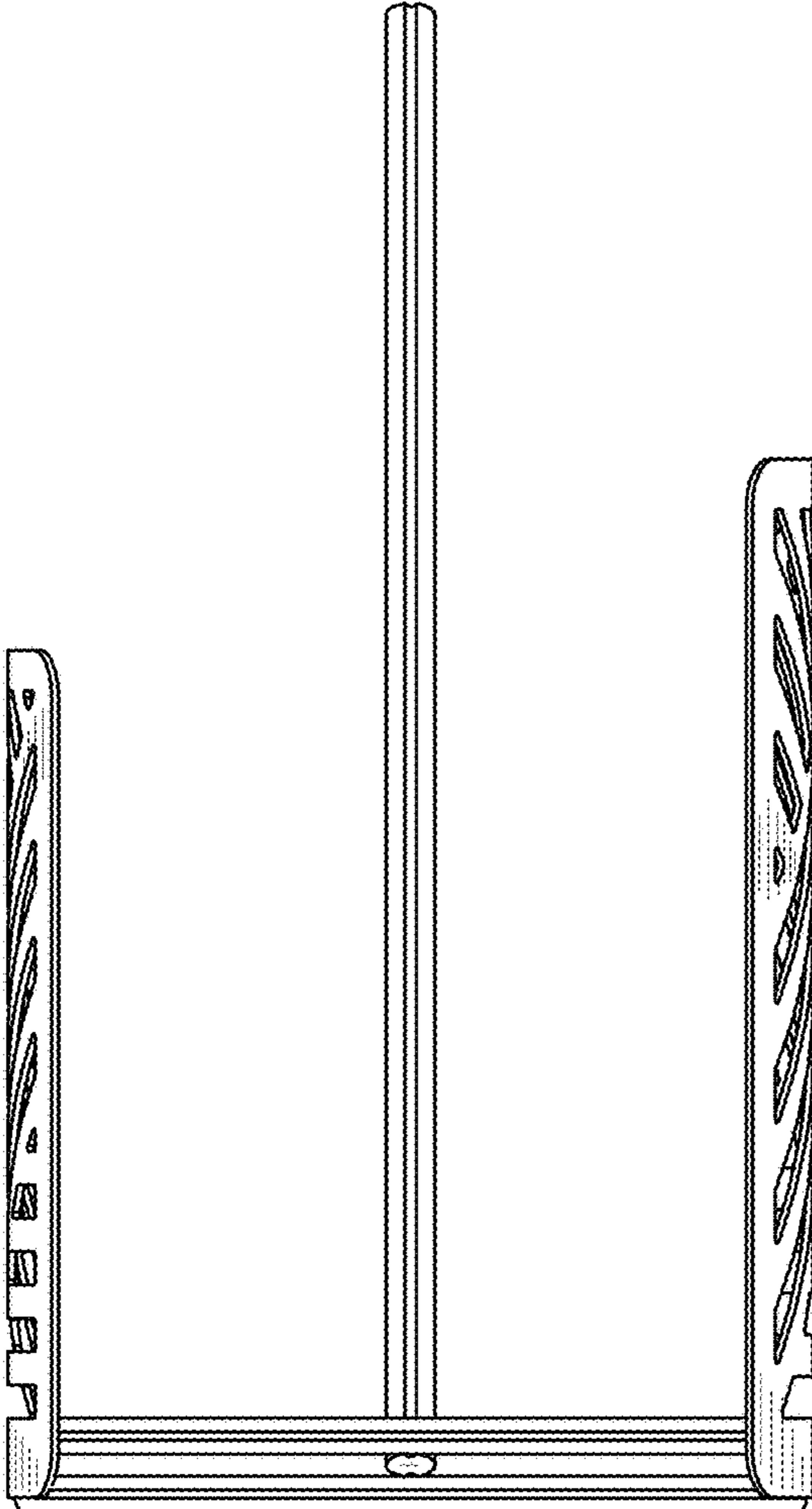


FIG. 4

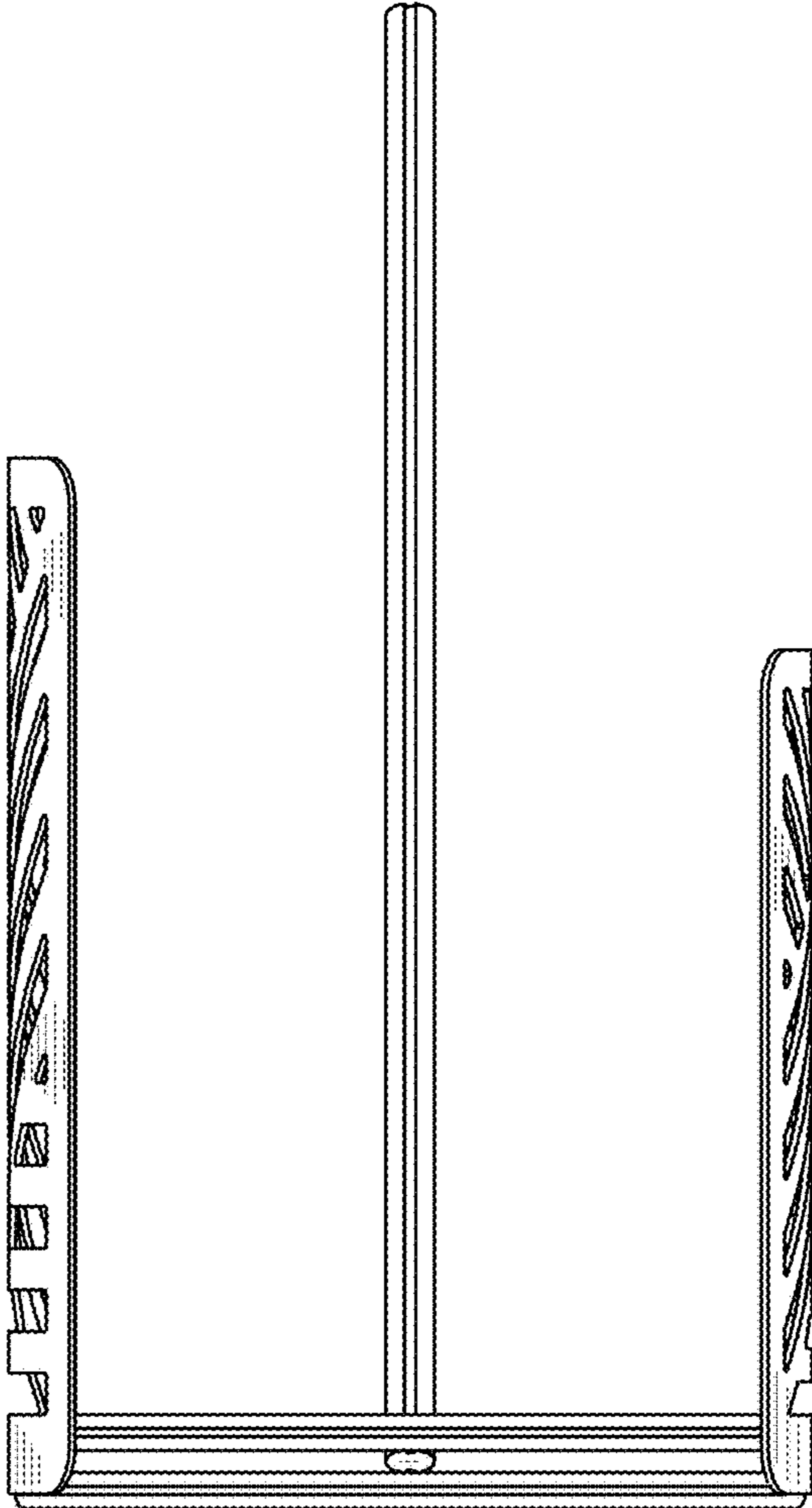


FIG. 5

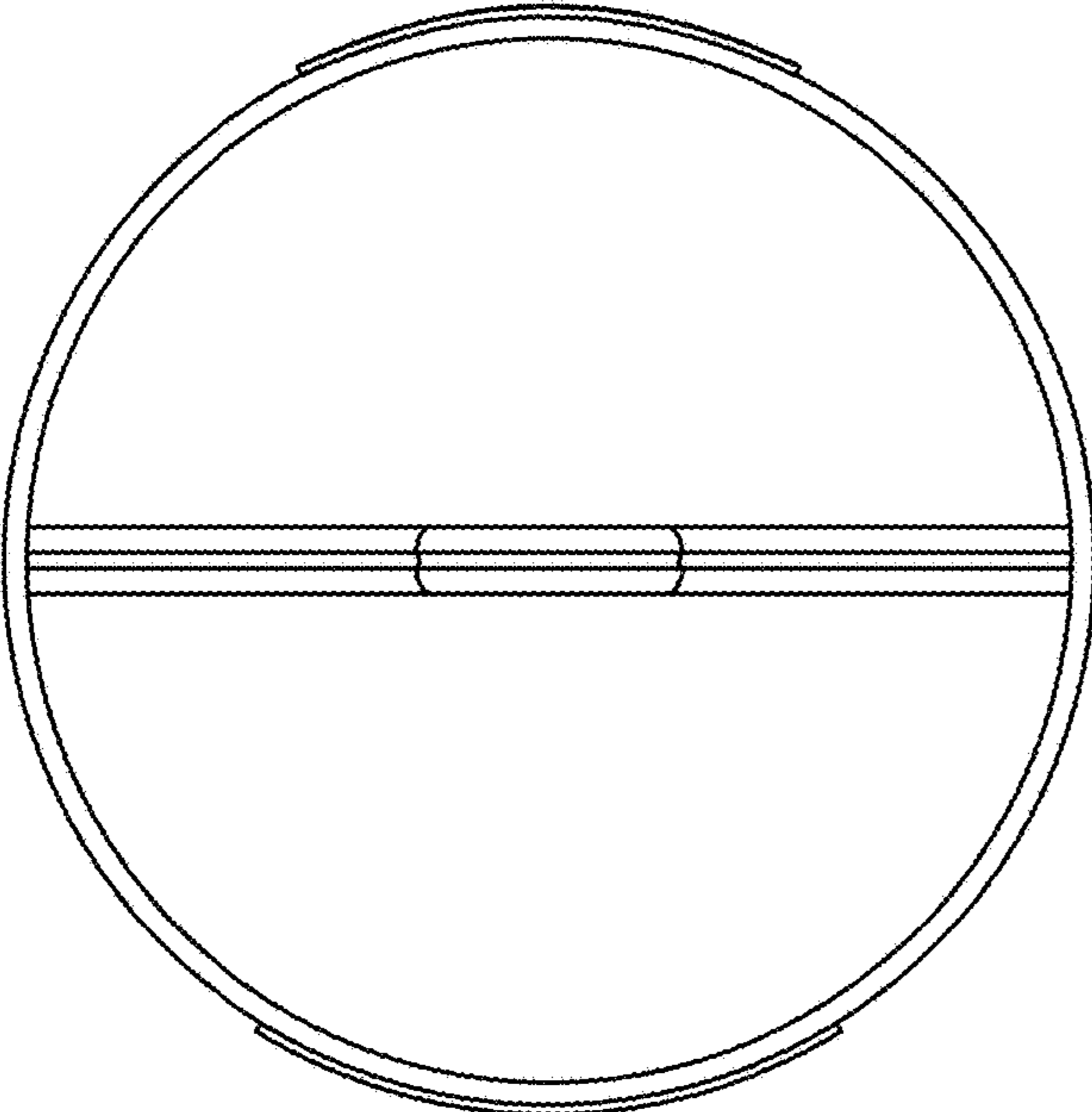


FIG. 6

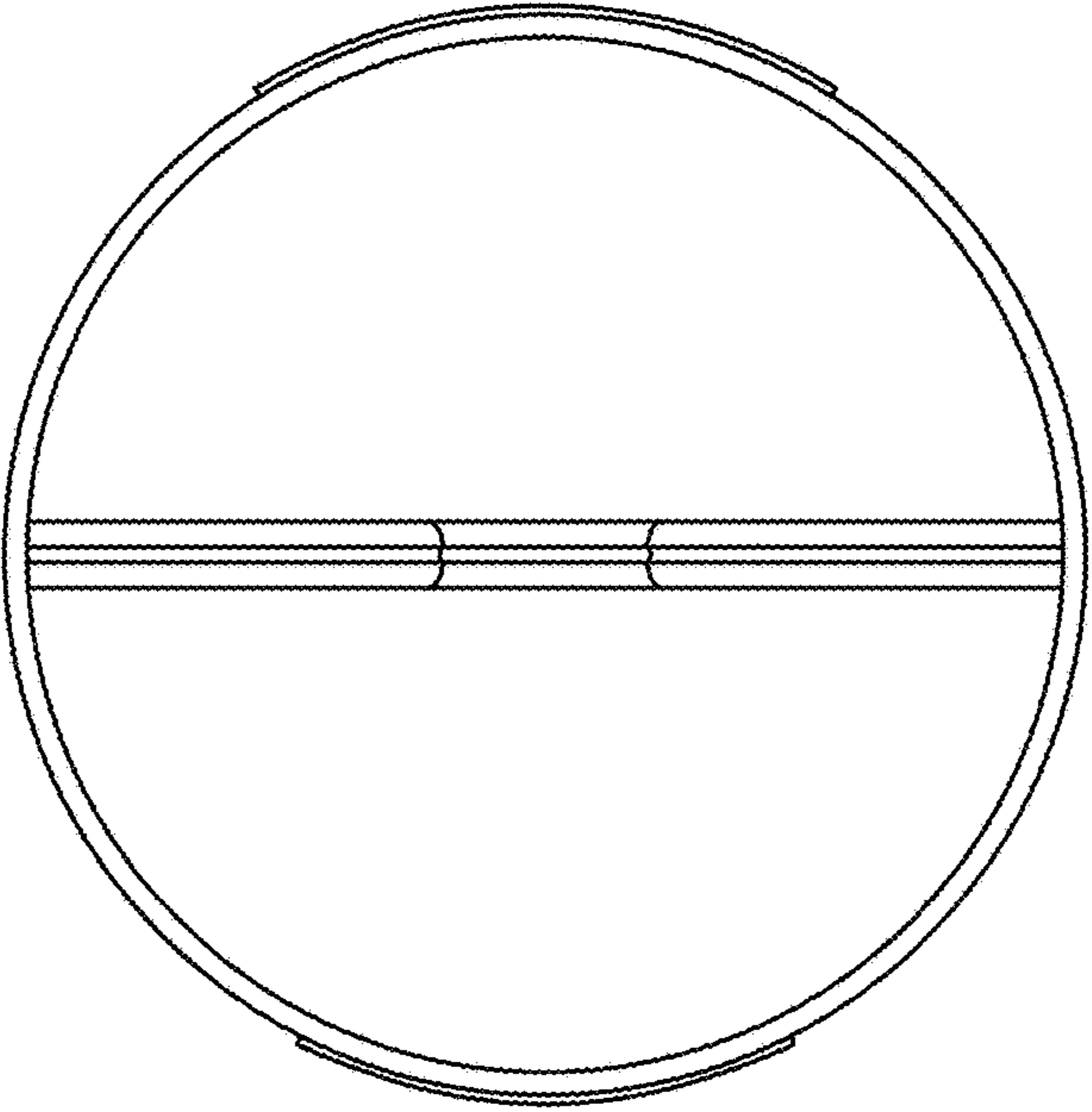


FIG. 7