

US00D794976S

(12) **United States Design Patent** (10) **Patent No.:** **US D794,976 S**
Fararji et al. (45) **Date of Patent:** **** Aug. 22, 2017**

- (54) **GRAVITY FEED DISPLAY**
- (71) Applicant: **Cima Confections, Corp.**, Cerritos, CA (US)
- (72) Inventors: **Nasim Fararji**, Cerritos, CA (US);
Sebrone Denson, II, Colorado Springs, CO (US)
- (73) Assignee: **Cima Confections, Corp.**, Cerritos, CA (US)
- (**) Term: **14 Years**
- (21) Appl. No.: **29/515,278**
- (22) Filed: **Jan. 21, 2015**
- (51) **LOC (10) Cl.** **20-02**
- (52) **U.S. Cl.**
USPC **D6/518**
- (58) **Field of Classification Search**
USPC D6/515-517; 211/13.1, 15, 49.1;
221/282-285; 222/173, 180, 181.1, 181.2
CPC A47F 1/12; A47F 5/005; A47F 7/28
See application file for complete search history.

D602,721 S * 10/2009 Li D6/515
 8,240,517 B1 * 8/2012 Stob B60R 15/02
 222/173
 D727,056 S * 4/2015 Frankel D6/518
 D740,049 S * 10/2015 Wilson, Jr. D6/518

FOREIGN PATENT DOCUMENTS

DE M9601116 8/1996
 JP HD0202576800 11/1990

* cited by examiner

Primary Examiner — David Muller
Assistant Examiner — Nathan Johnston
 (74) *Attorney, Agent, or Firm* — Jeffrey D. Myers;
 Peacock Myers, P.C.

(57) **CLAIM**

The ornamental design for a gravity feed display, as shown and described.

DESCRIPTION

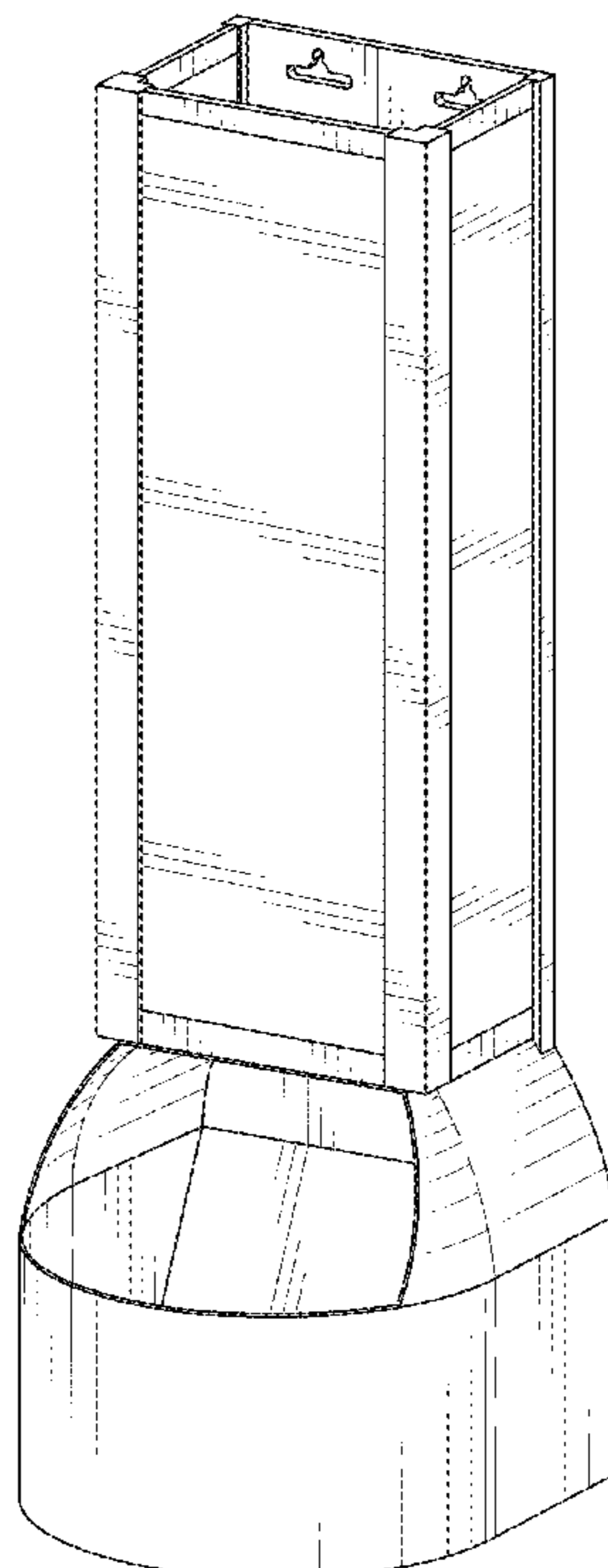
FIG. 1 is a front perspective view of the gravity feed display embodying our new design;
 FIG. 2 is a front elevation view thereof;
 FIG. 3 is a rear elevation view thereof;
 FIG. 4 is a left side elevation view thereof;
 FIG. 5 is a right side elevation view thereof;
 FIG. 6 is a top plan view thereof; and,
 FIG. 7 is a bottom plan view thereof.
 The broken line showing of gravity feed display is included for the purpose of illustrating portions of the “article” and forms no part of the claimed design.

(56) **References Cited**

U.S. PATENT DOCUMENTS

D85,566 S * 11/1931 Young D6/515
 D288,761 S * 3/1987 Dunn D6/515
 D409,246 S * 5/1999 Fereday D11/157
 D424,339 S * 5/2000 D’Ambrosio D6/515
 D436,773 S * 1/2001 D’Ambrosio D6/515
 D458,782 S * 6/2002 Shea D6/513

1 Claim, 4 Drawing Sheets



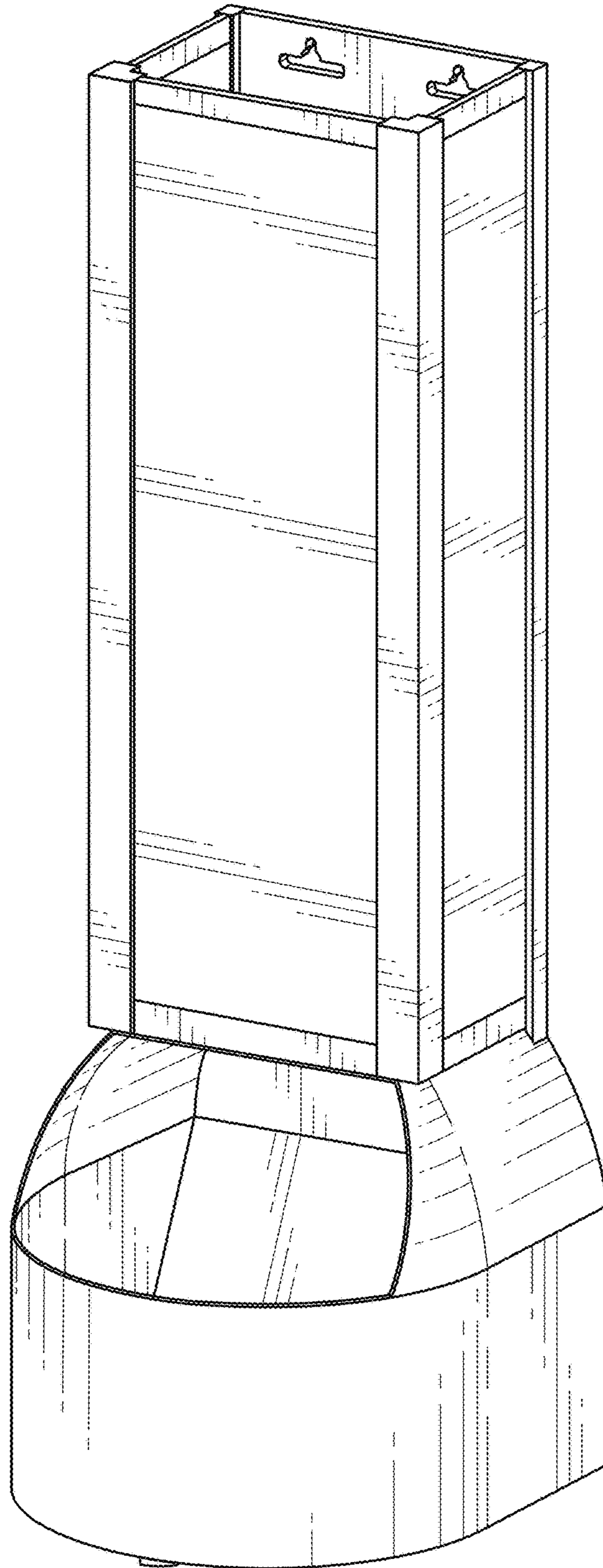


FIG. 1

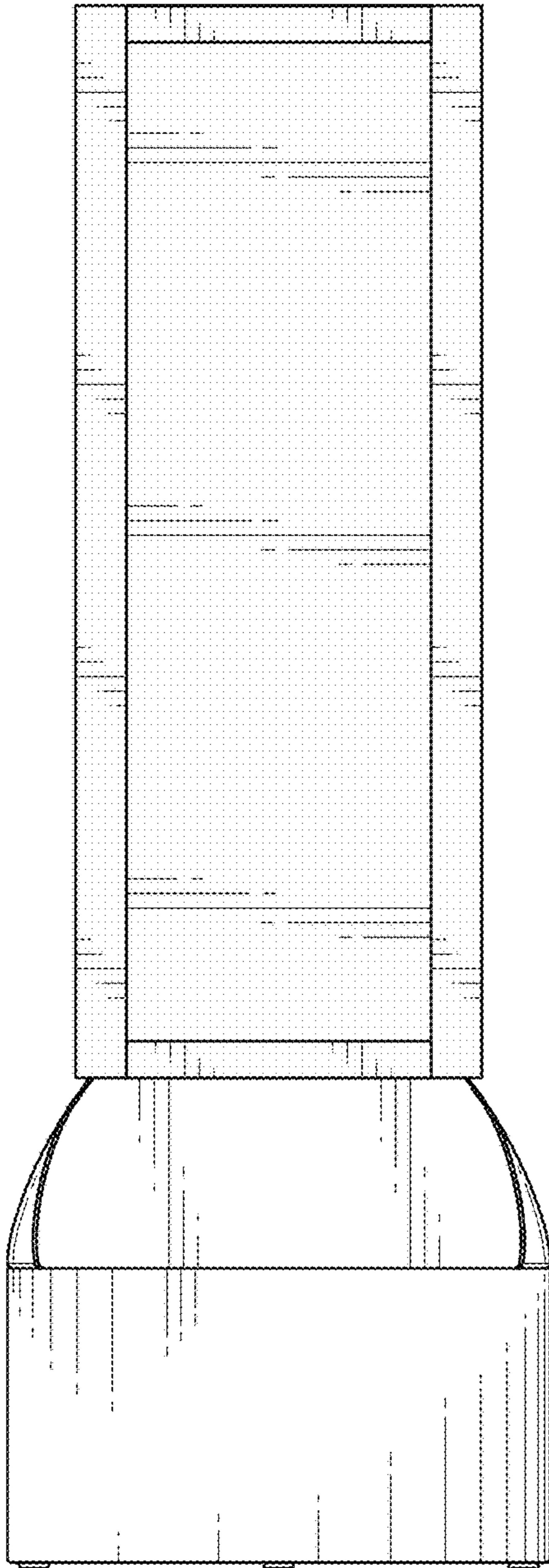


FIG. 2

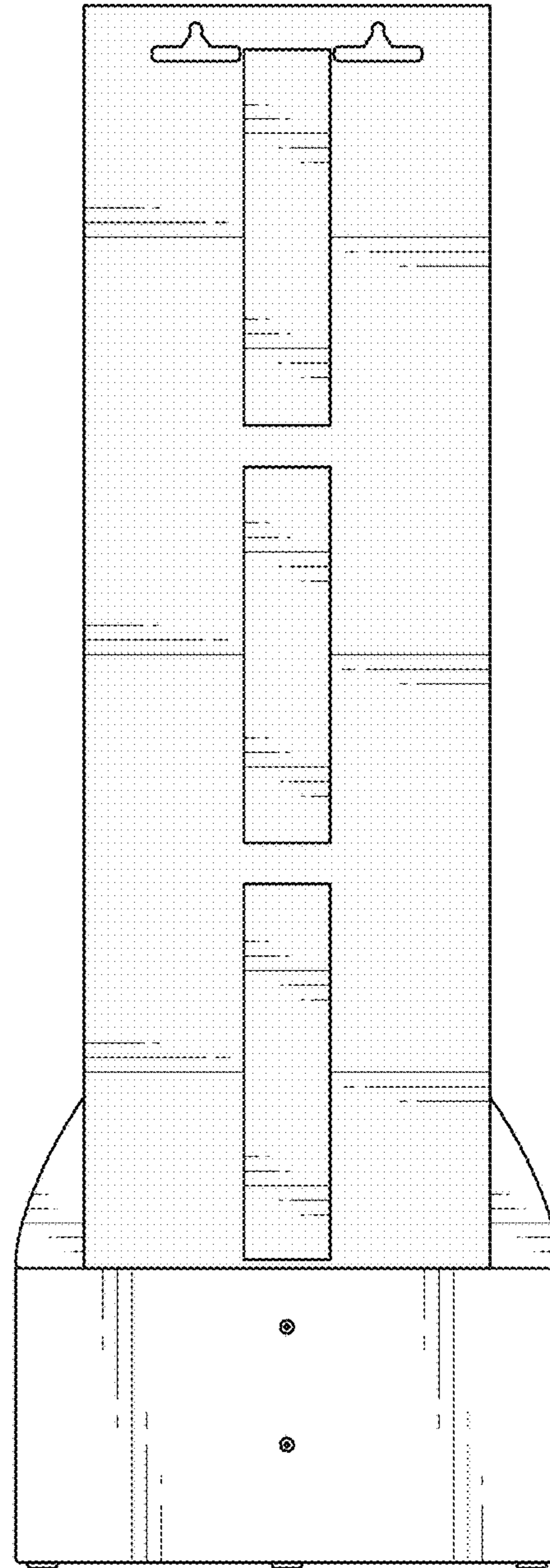


FIG. 3

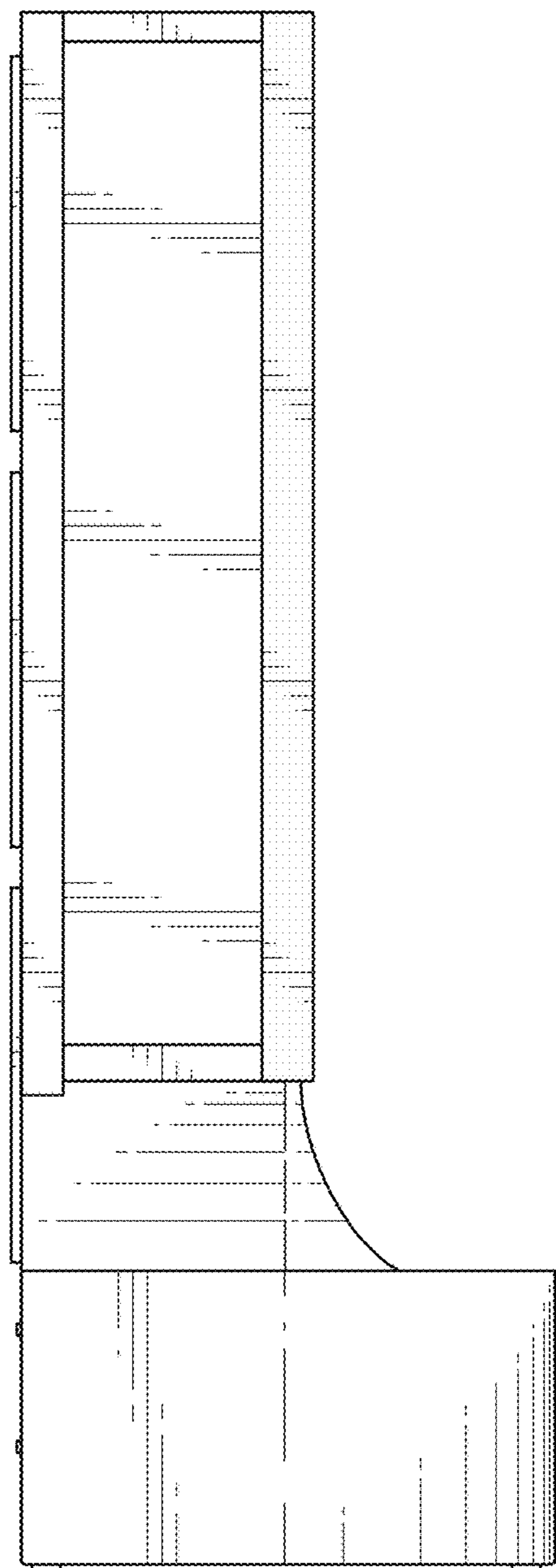


FIG. 4

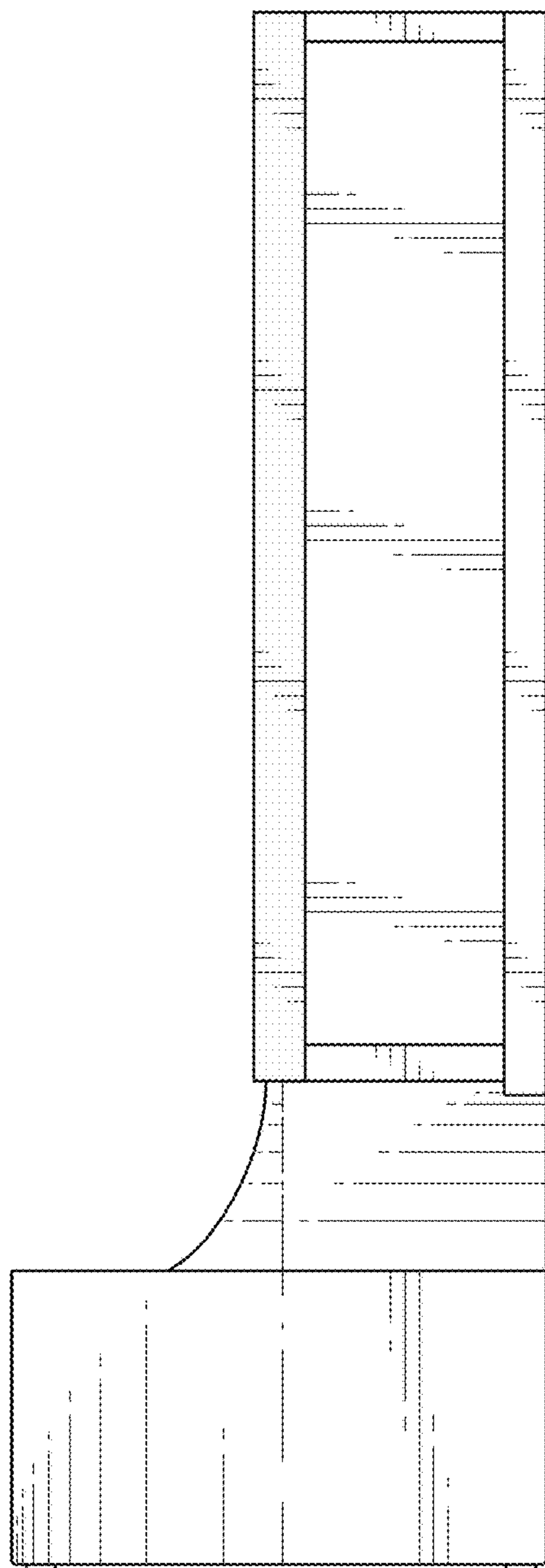


FIG. 5

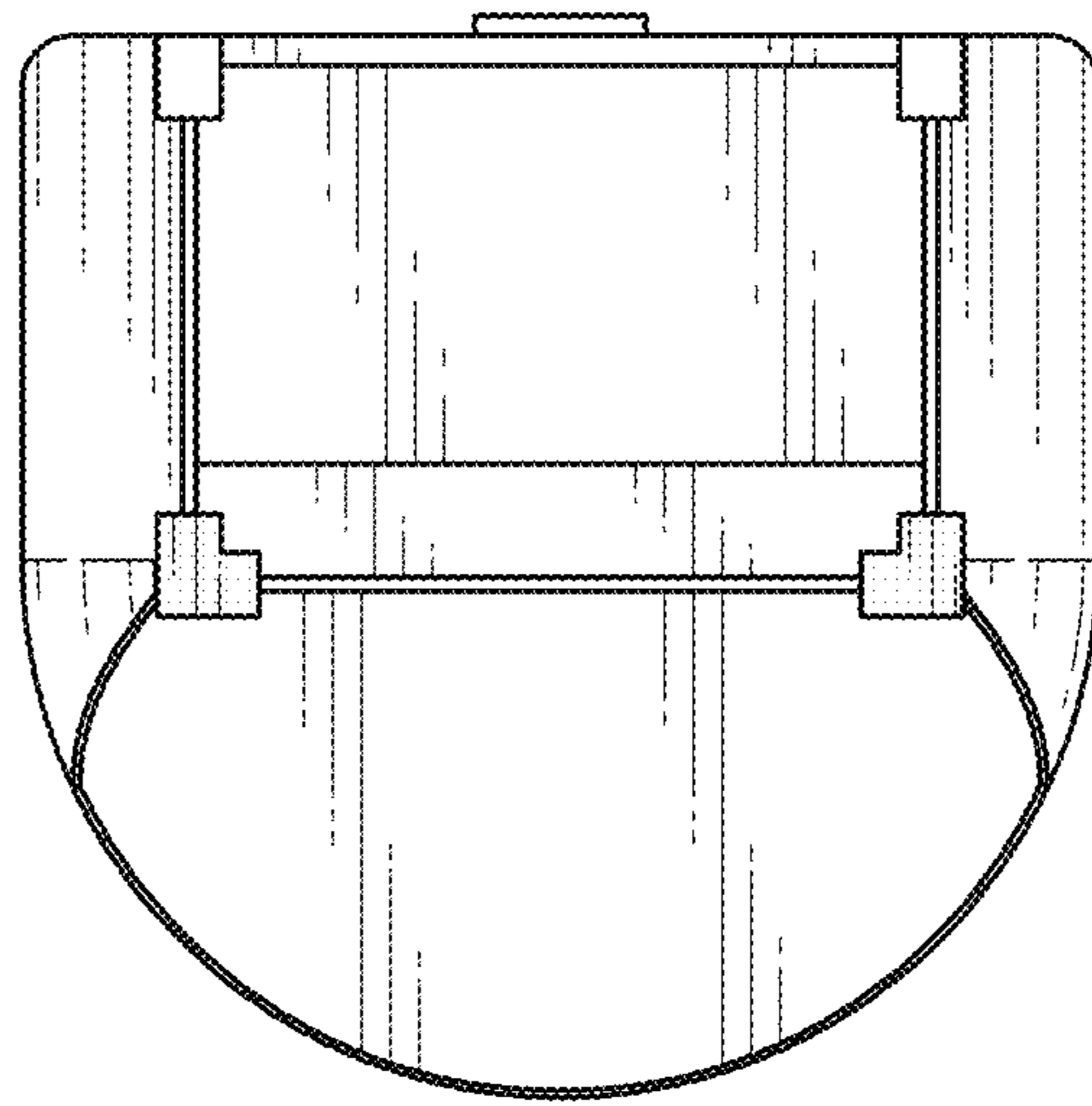


FIG. 6

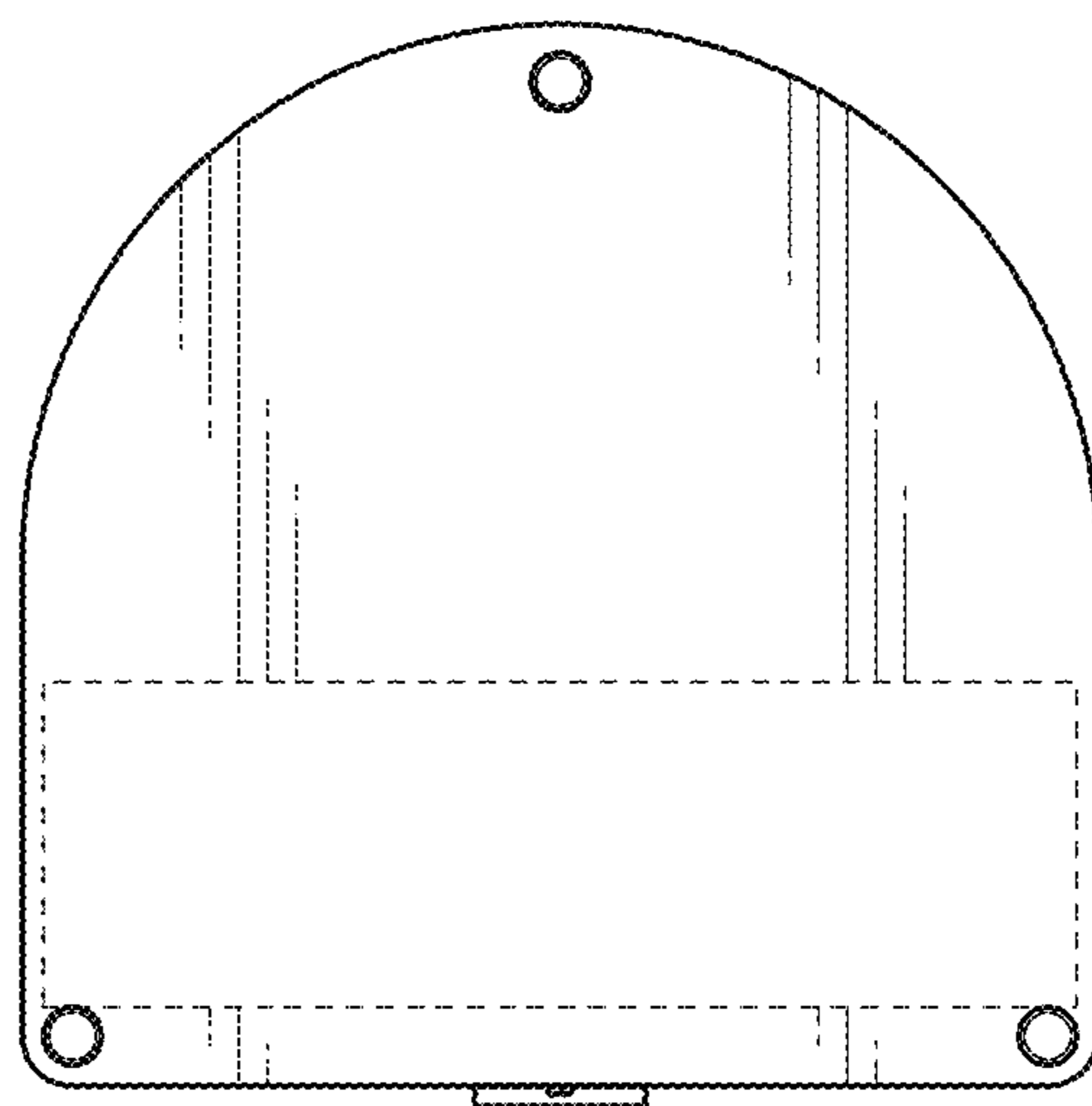


FIG. 7