



US00D794972S

(12) **United States Design Patent**
Bettin

(10) **Patent No.:** **US D794,972 S**

(45) **Date of Patent:** **** Aug. 22, 2017**

(54) **CHAIR**

(71) Applicant: **Dario Bettin**, Bari (IT)

(72) Inventor: **Dario Bettin**, Bari (IT)

(**) Term: **15 Years**

(21) Appl. No.: **29/537,822**

(22) Filed: **Aug. 28, 2015**

(51) **LOC (10) Cl.** **06-01**

(52) **U.S. Cl.**

USPC **D6/376; D6/374**

(58) **Field of Classification Search**

USPC D6/334-336, 371, 373, 374, 376, 379,
D6/380, 716, 716.1, 716.2, 716.3, 716.4

CPC .. A47C 4/02; A47C 4/03; A47C 4/028; A47C
4/48; A47C 5/04; A47C 5/06; A47C 5/10;

A47C 7/18; A47C 7/24

See application file for complete search history.

(56) **References Cited**

U.S. PATENT DOCUMENTS

1,142,006 A * 6/1915 Barber A47C 5/04
297/449.1

D245,822 S * 9/1977 Piper D6/373

D248,904 S * 8/1978 Julian D6/373

D261,335 S * 10/1981 Conner D6/373

D319,545 S * 9/1991 Fairbank D6/379

5,180,208 A * 1/1993 Lawandi A47C 4/02
297/440.11

5,911,478 A * 6/1999 Goodman A47C 5/06
297/440.11

D430,976 S * 9/2000 Tow D6/368

D565,856 S * 4/2008 Kimmel D6/374

D626,351 S * 11/2010 Kimmel D6/368

8,459,741 B2 * 6/2013 Mazzola A47C 4/48
297/16.2

D708,452 S * 7/2014 Garcia D6/379

* cited by examiner

Primary Examiner — Mimosa De

(74) *Attorney, Agent, or Firm* — Egbert Law Offices,
PLLC

(57) **CLAIM**

The ornamental design for a chair, as shown and described.

DESCRIPTION

FIG. 1 is a front perspective view of a chair showing my new design.

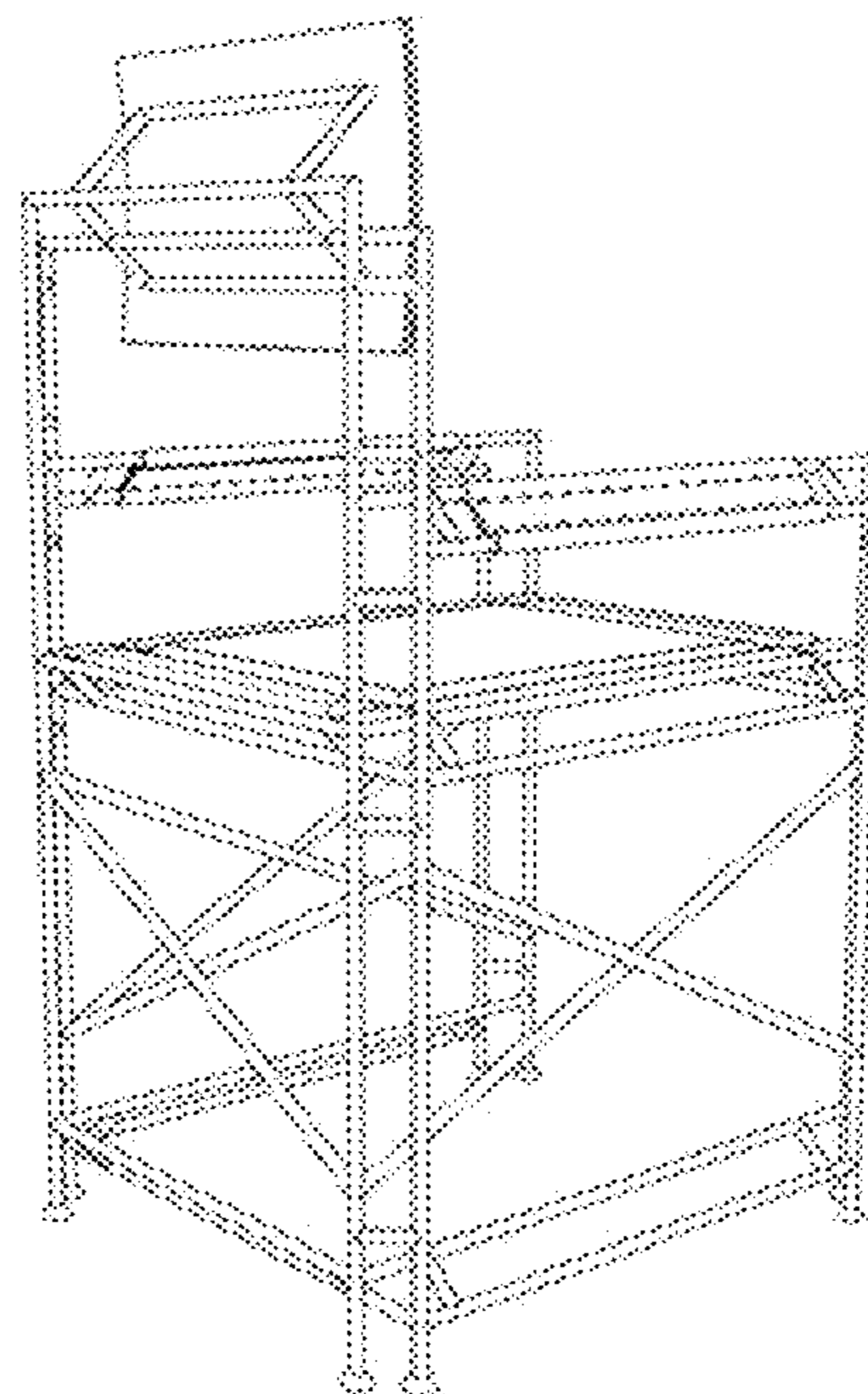
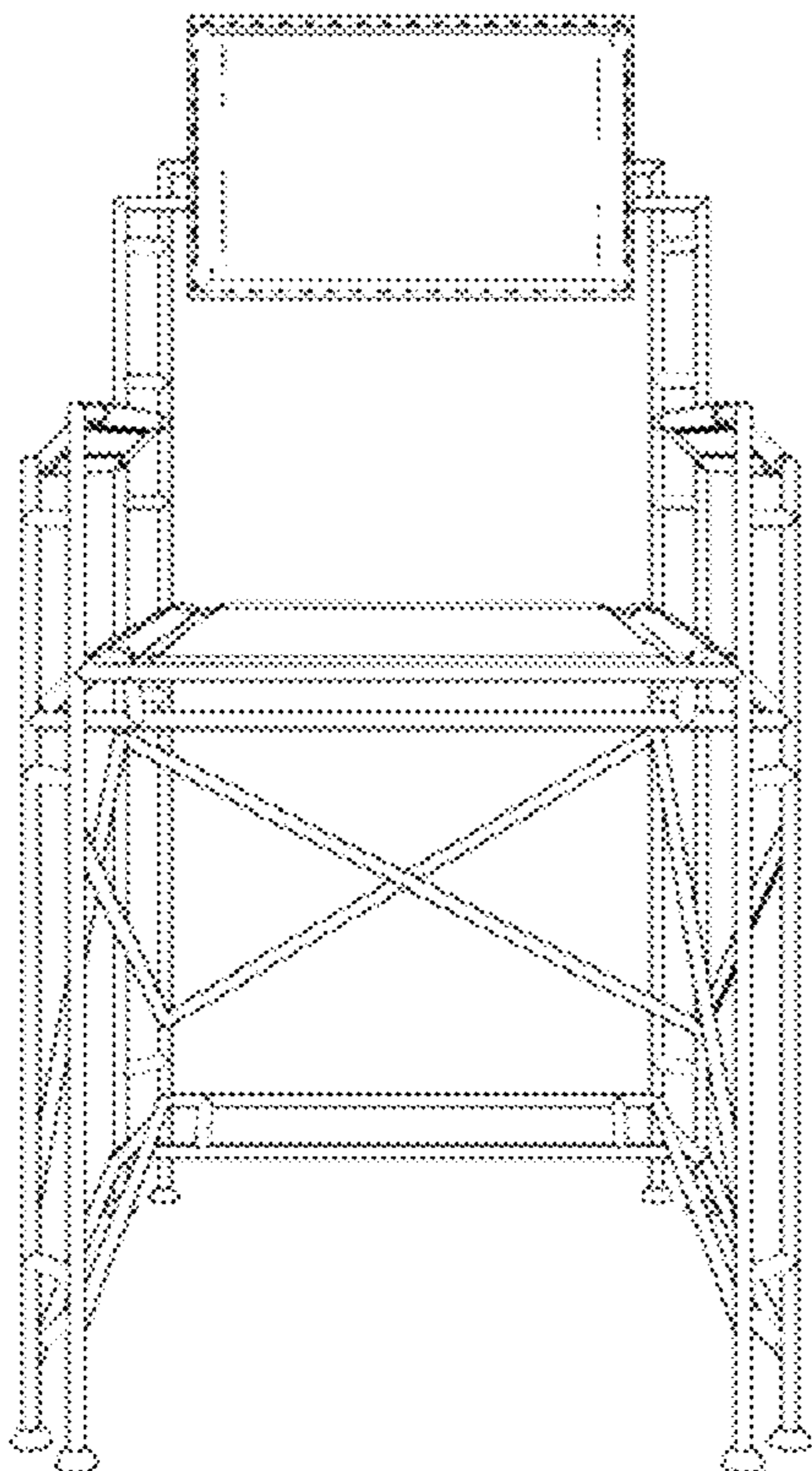
FIG. 2 is a top view thereof;

FIG. 3 is a side perspective view thereof, an opposite side perspective view being a mirror image thereof; and,

FIG. 4 is a rear perspective view thereof.

The broken lines in the figures represent stitching.

1 Claim, 2 Drawing Sheets



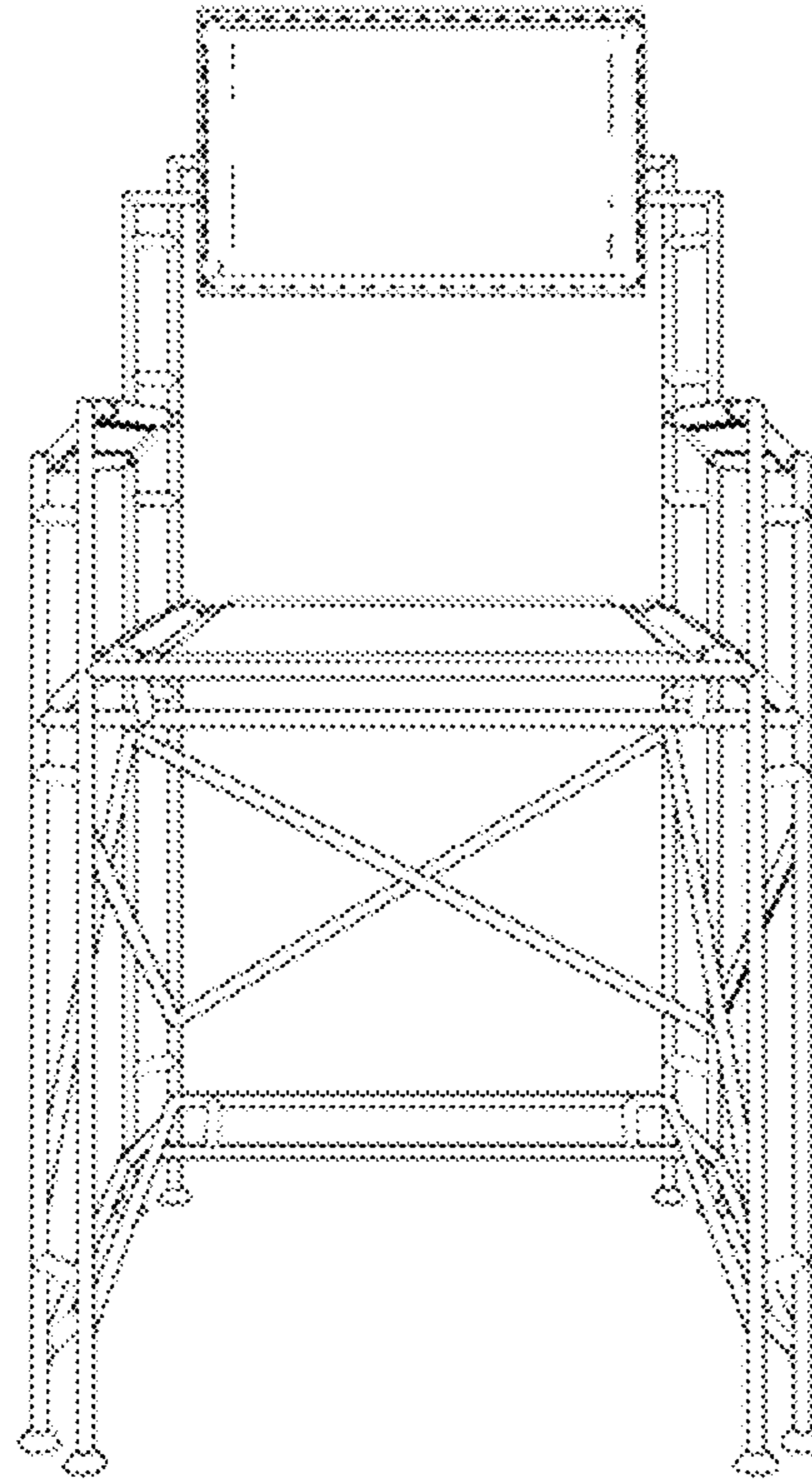


FIG. 1

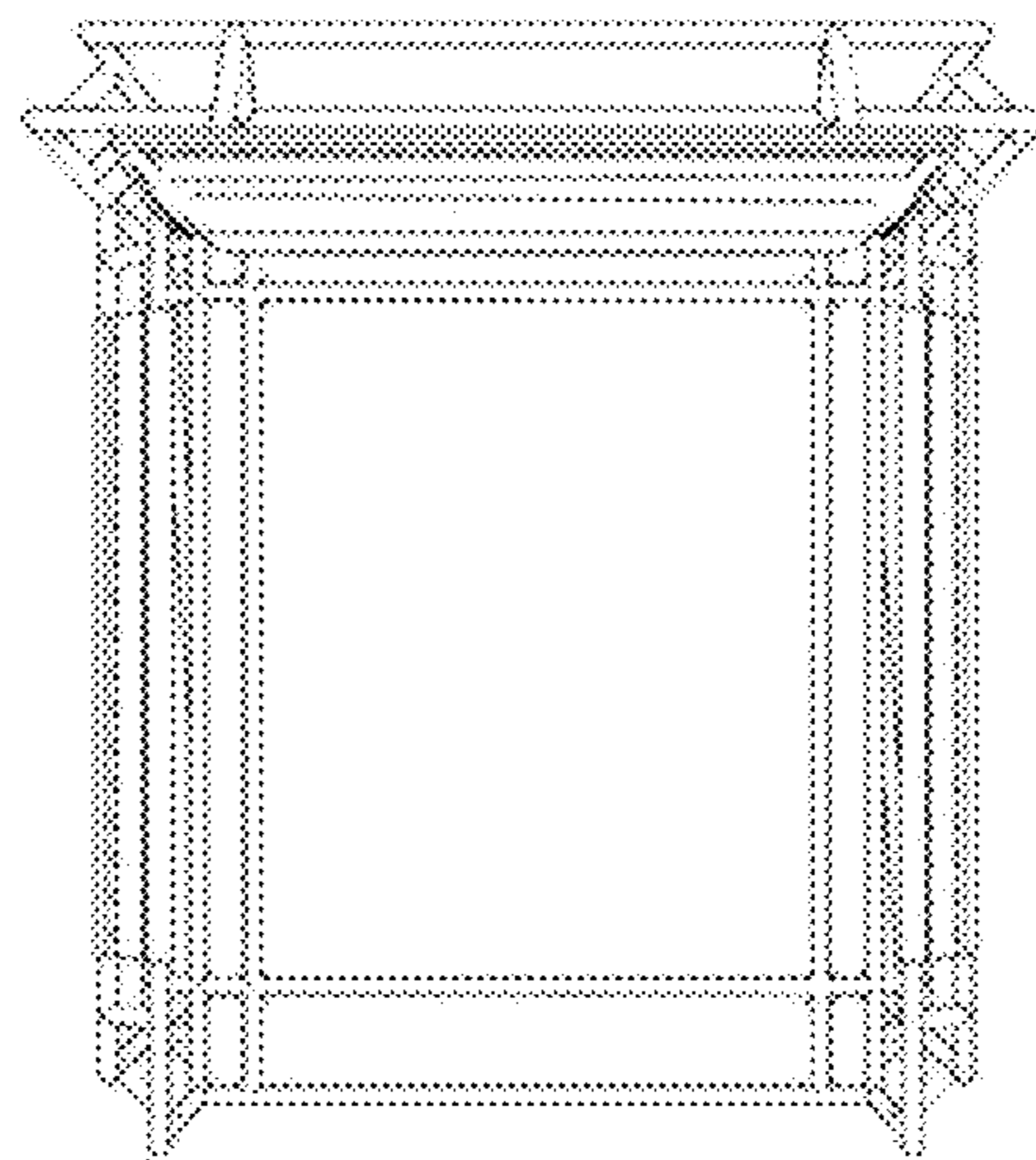


FIG. 2

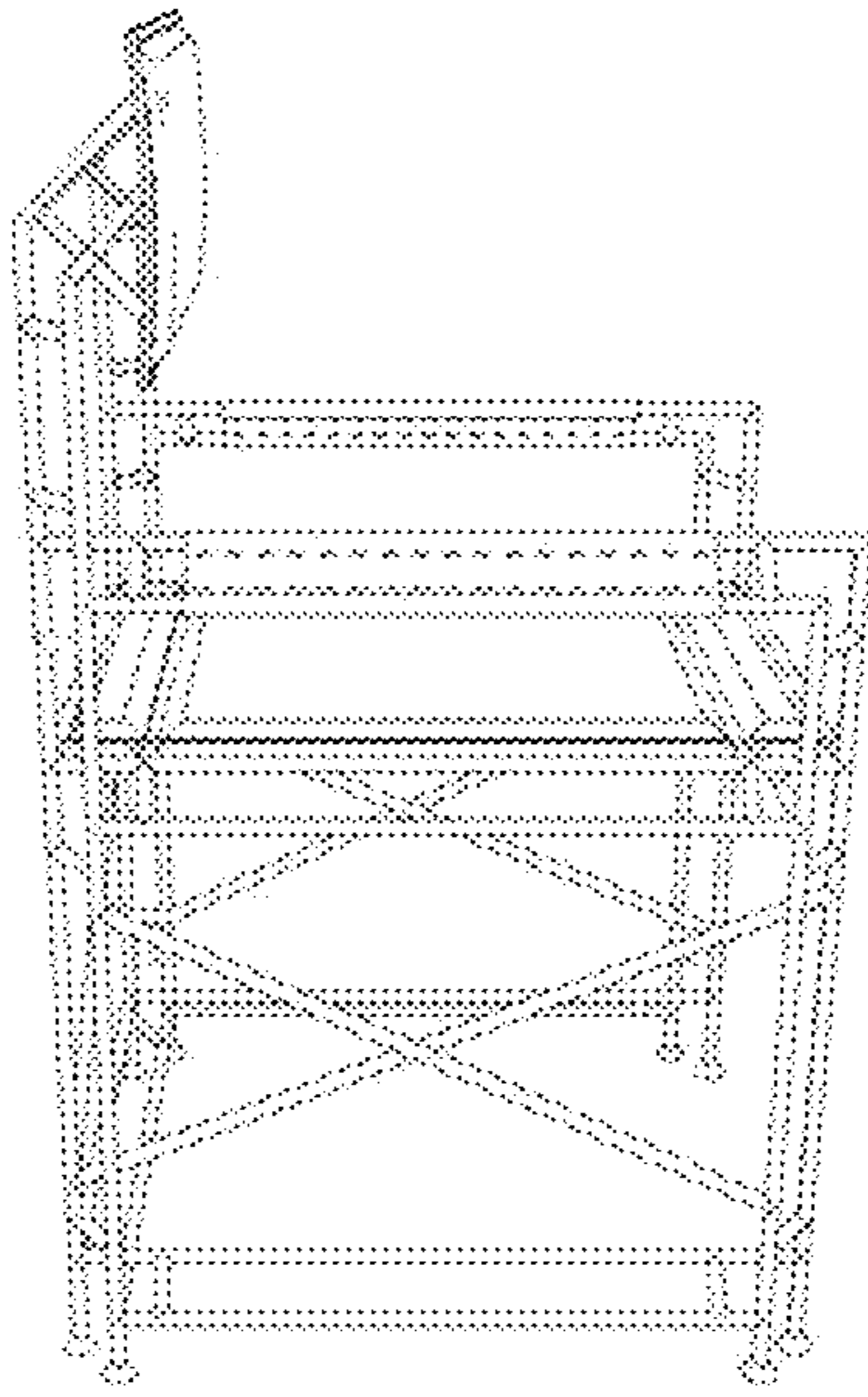


FIG. 3

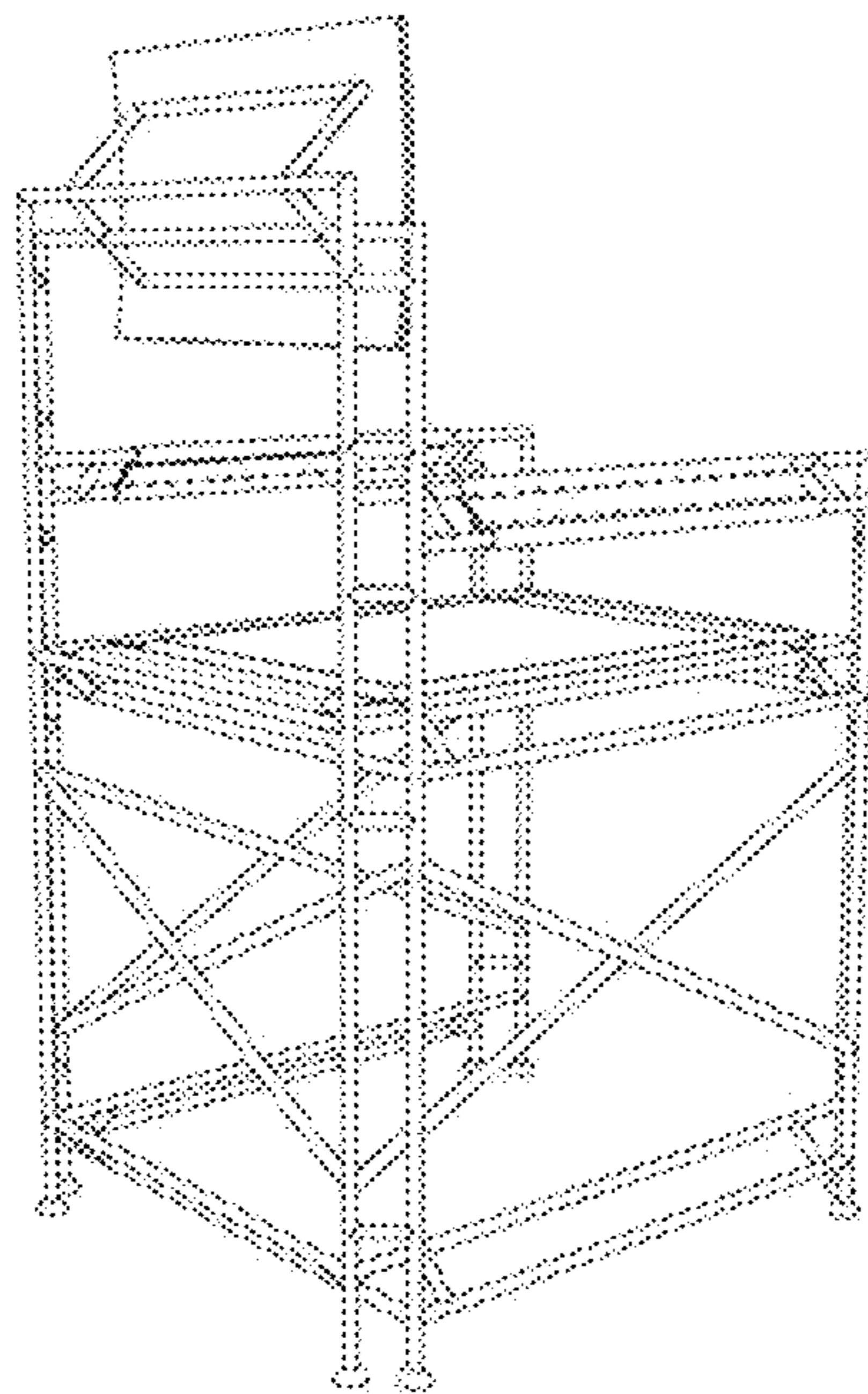


FIG. 4