



US00D794970S

(12) **United States Design Patent** (10) **Patent No.:** **US D794,970 S**
Waldner (45) **Date of Patent:** **** Aug. 22, 2017**

- (54) **STOOL**
- (71) Applicant: **Crystal Spring Colony Farms Ltd., Ste. Agathe (CA)**
- (72) Inventor: **David Waldner, Ste Agathe (CA)**
- (73) Assignee: **Crystal Spring Colony Farms Ltd., Ste. Agathe, MB (CA)**
- (**) Term: **15 Years**
- (21) Appl. No.: **29/557,204**
- (22) Filed: **Mar. 7, 2016**
- (51) **LOC (10) Cl.** **06-01**
- (52) **U.S. Cl.**
USPC **D6/352; D6/363**
- (58) **Field of Classification Search**
USPC D6/334, 349-355, 363, 360, 368, 374, D6/403, 405, 692-692.6, 685, 677, 677.5, D6/708, 708.15-708.25; D25/62-65
CPC A47C 9/00-9/105; A47C 7/00-7/02; A47C 16/00-16/04; A47B 7/00-7/02; A47B 3/00; A47B 3/02; A47B 3/04; A47B 3/12
See application file for complete search history.

D720,143 S * 12/2014 Barber D6/349
 D739,167 S * 9/2015 Barber D6/692
 2015/0076871 A1* 3/2015 Werner A47C 9/10 297/135

OTHER PUBLICATIONS

Stock Photo: 3 legged table with shelf. [online] Retrieved Mar. 1, 2017 from URL: <<https://www.dreamstime.com/stock-photoleggedtableshelfthreeknownascricketoldvintagecountryfurnitureimage63881076>>.*
 G&T By Bethan Gray: Beautifully Crafted Furniture—Brogue side table. [online] Published Jul. 11, 2012. Retrieved from URL: <<http://www.flodeau.com/2012/07/gt-by-bethan-gray-beautifully-crafted-furniture/>>.*

* cited by examiner

Primary Examiner — Vy Koenig
 (74) *Attorney, Agent, or Firm* — Adrian D. Battison; Ade & Company Inc.

(57) **CLAIM**

The ornamental design for a stool, as shown and described.

DESCRIPTION

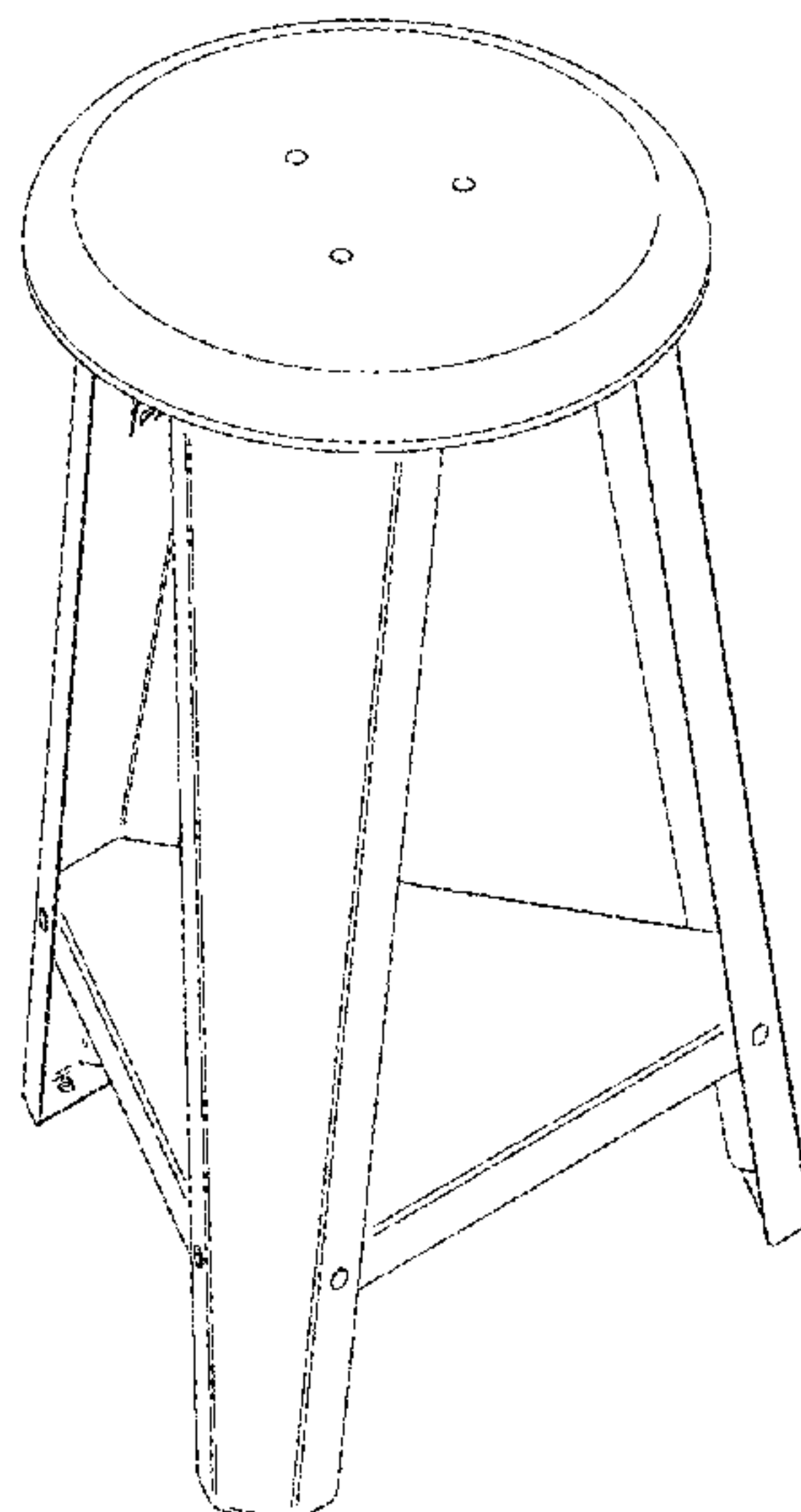
FIG. 1 is a first isometric view from the top, front and one side of the stool showing the design.
 FIG. 2 is a second isometric view from the bottom, front and one side of the stool showing the design.
 FIG. 3 is a bottom plan view of the stool showing the design.
 FIG. 4 is a top plan view of the stool showing the design.
 FIG. 5 is a first side elevational view of the stool showing the design.
 FIG. 6 is a second side elevational view of the stool showing the design.
 FIG. 7 is a rear elevational view of the stool showing the design; and,
 FIG. 8 is a front elevational view of the stool showing the design.

1 Claim, 8 Drawing Sheets

(56) **References Cited**

U.S. PATENT DOCUMENTS

- 1,374,716 A * 4/1921 Bloom A47C 9/00 297/461
- 3,520,506 A * 7/1970 Zahuranec A47C 7/022 248/188
- D285,872 S * 9/1986 Massonnet D6/352
- D312,010 S * 11/1990 Grosfillex D6/692.6
- D355,776 S * 2/1995 Good D6/349
- D366,772 S * 2/1996 Pasin D6/349
- D440,415 S * 4/2001 Bellini D6/349
- D482,215 S * 11/2003 Chadwick D6/692
- D594,677 S * 6/2009 Arkitekter D6/692
- D600,048 S * 9/2009 Weissenrieder D6/692.4
- D690,948 S * 10/2013 Lievore D6/352



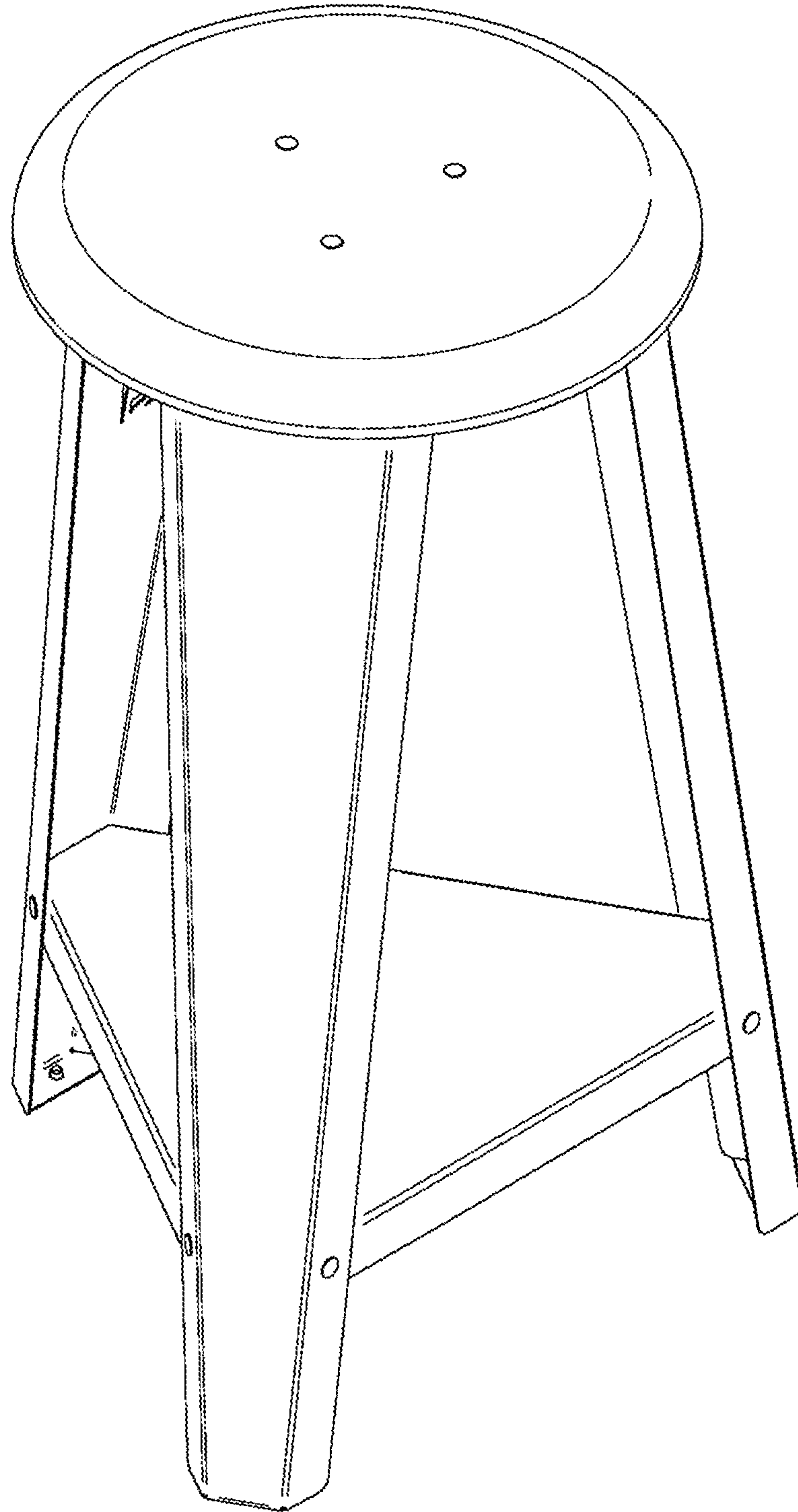


FIG. 1

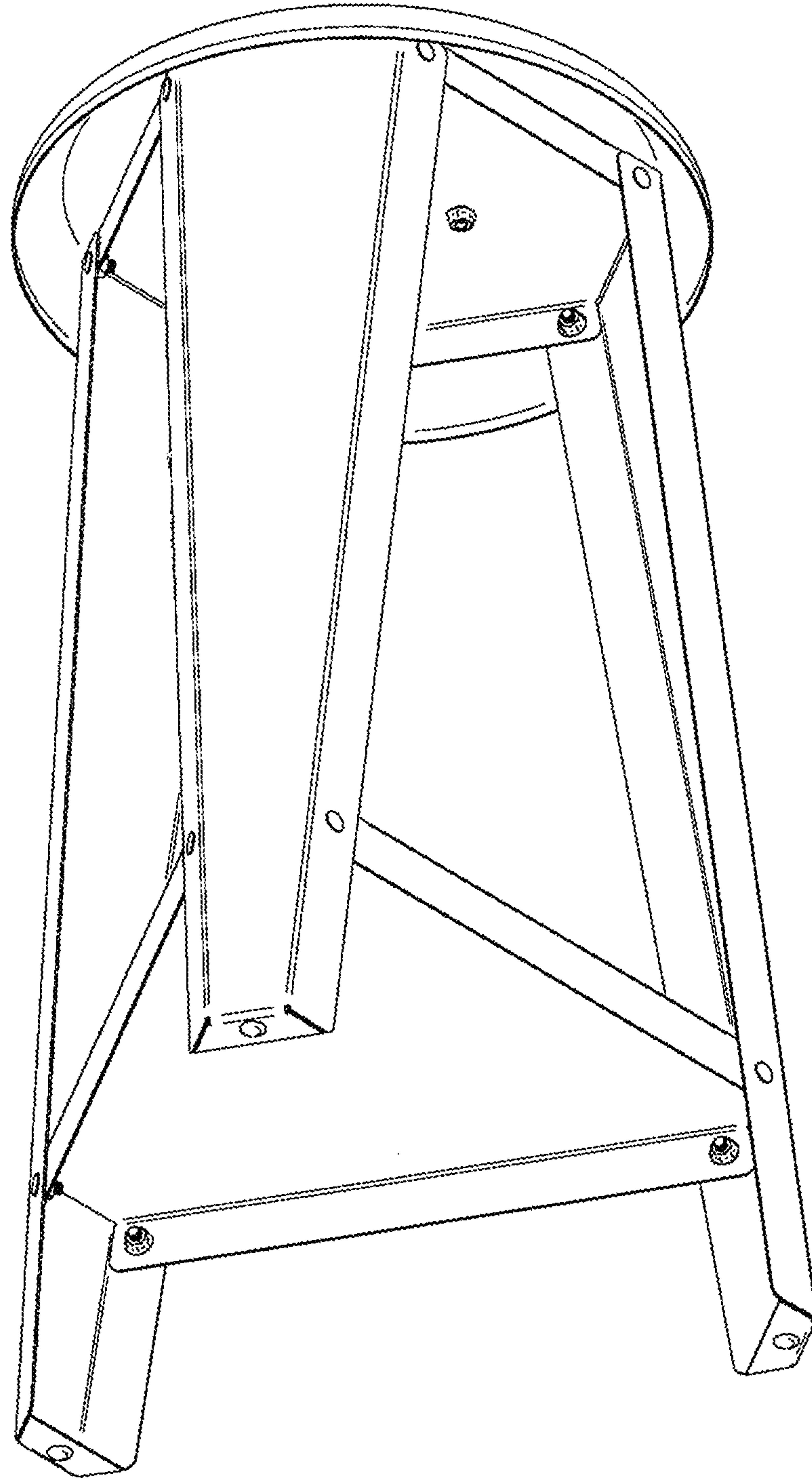


FIG. 2

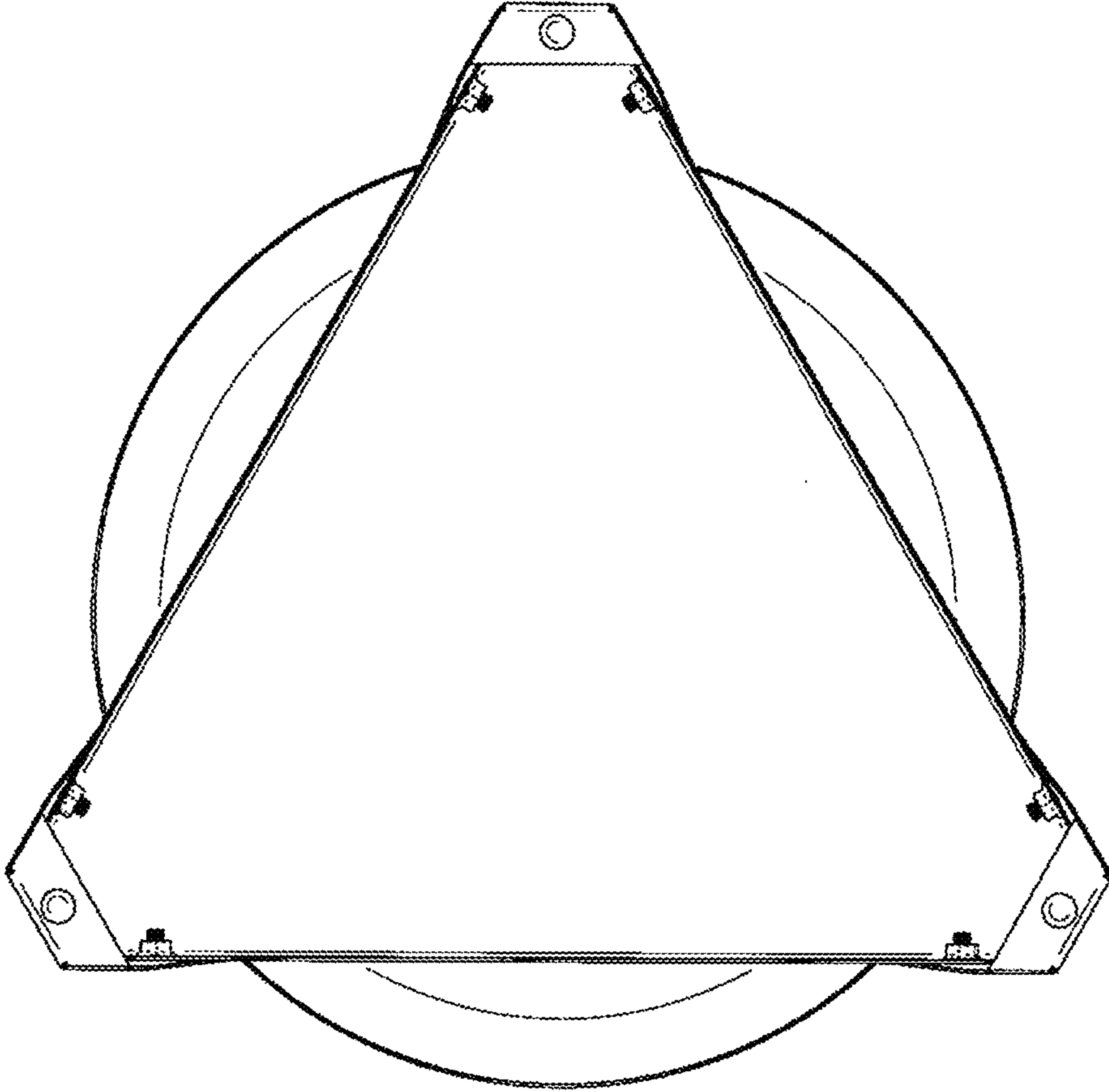


FIG. 3

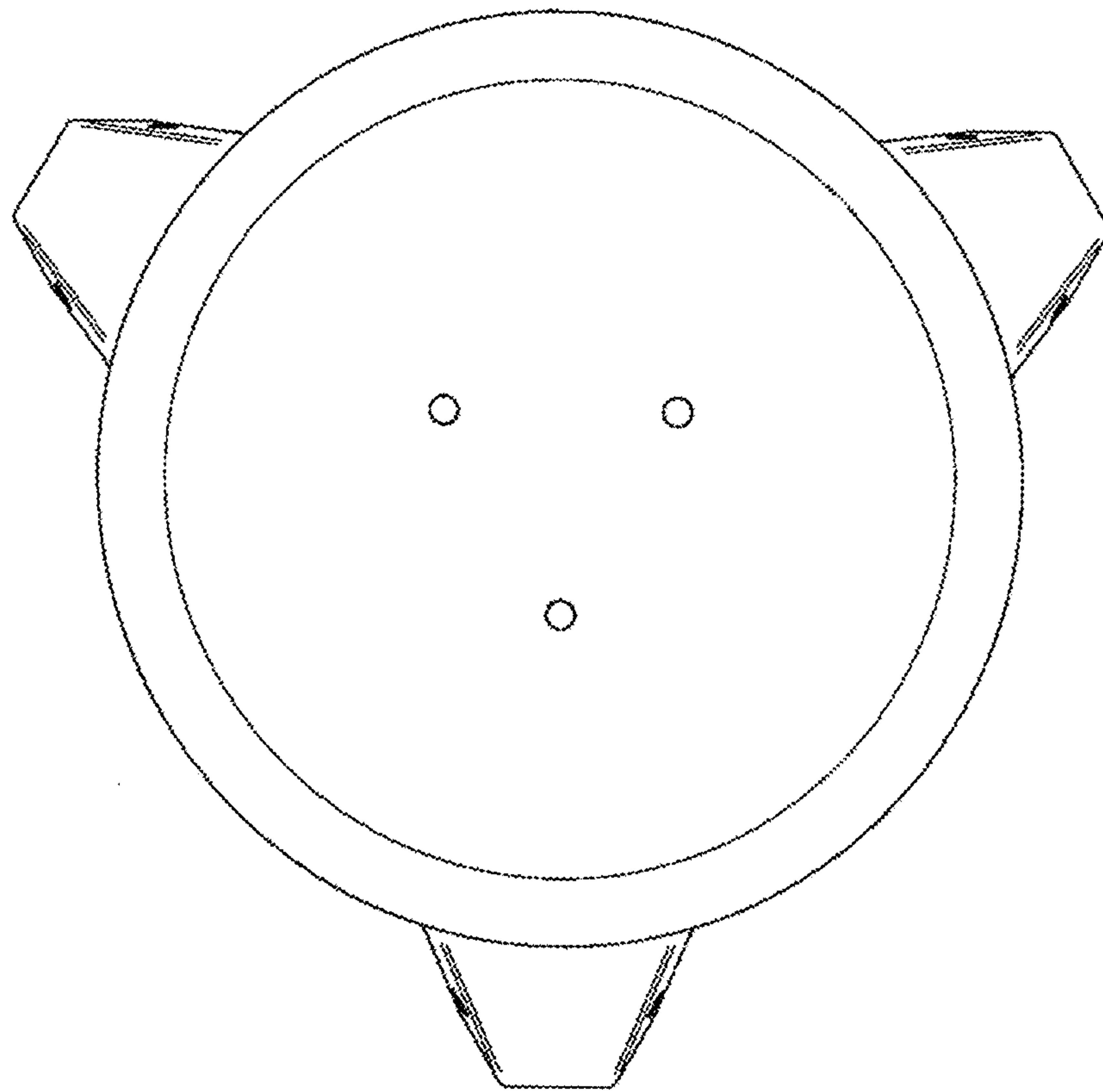


FIG. 4

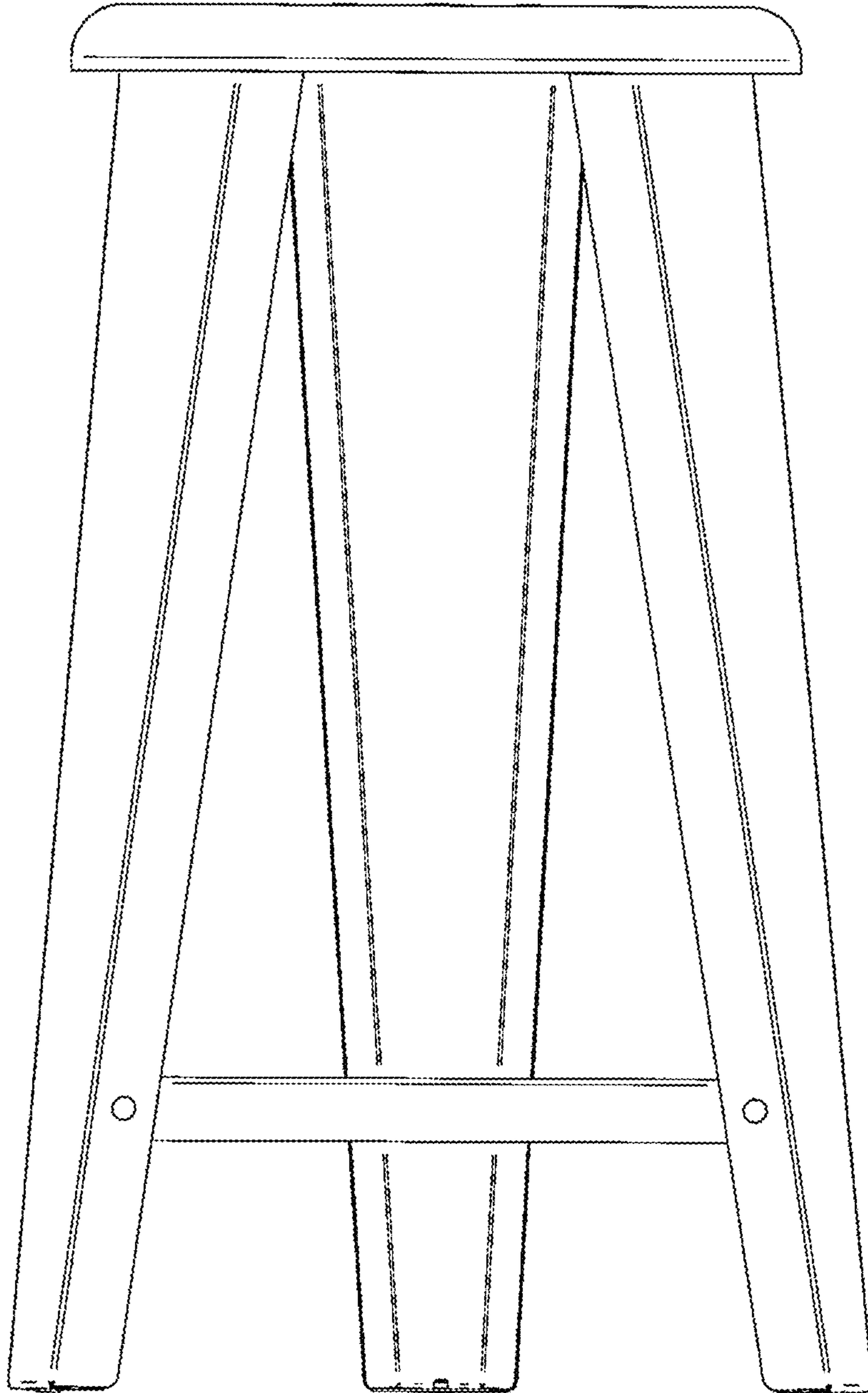


FIG. 5

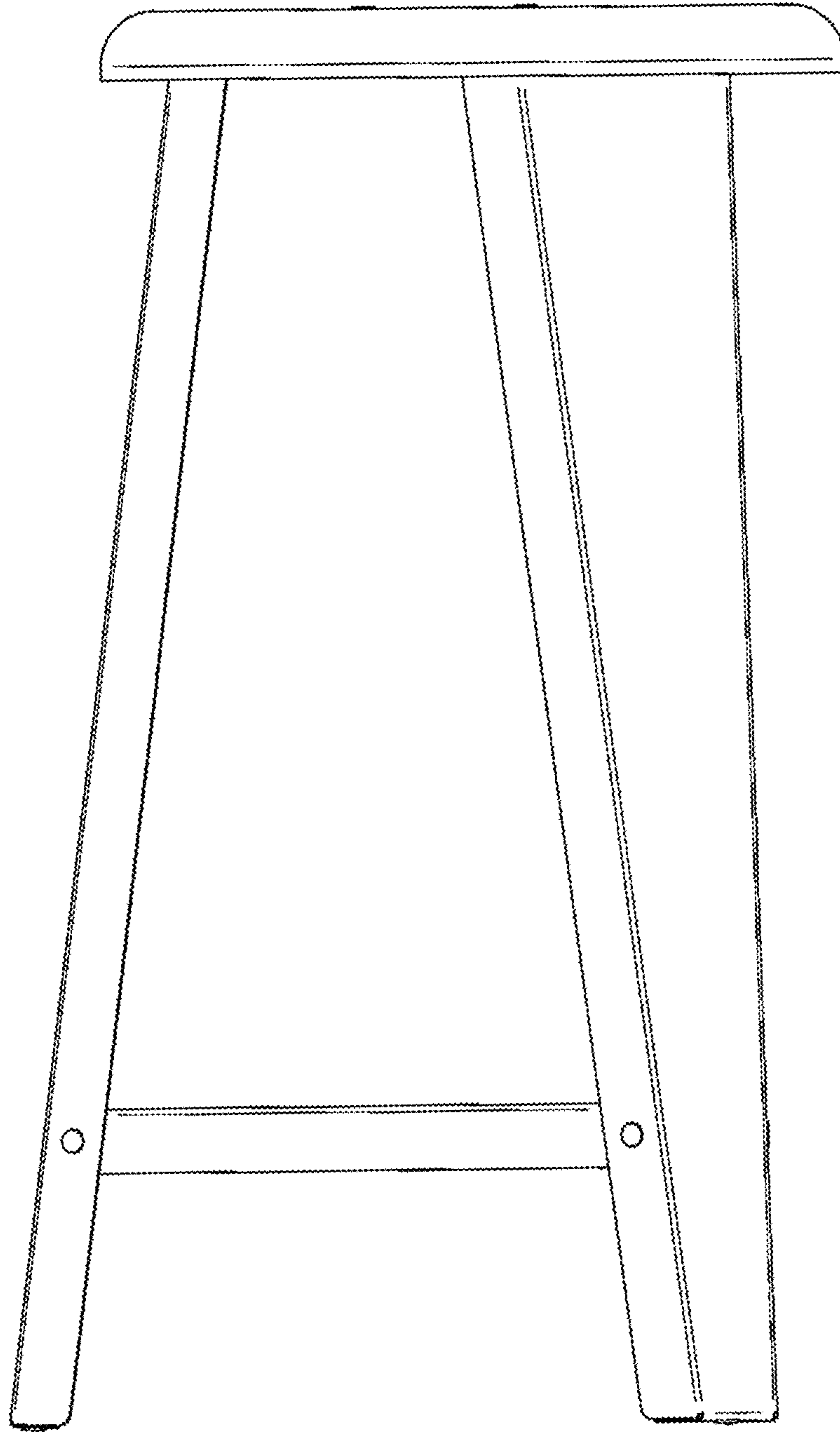


FIG. 6

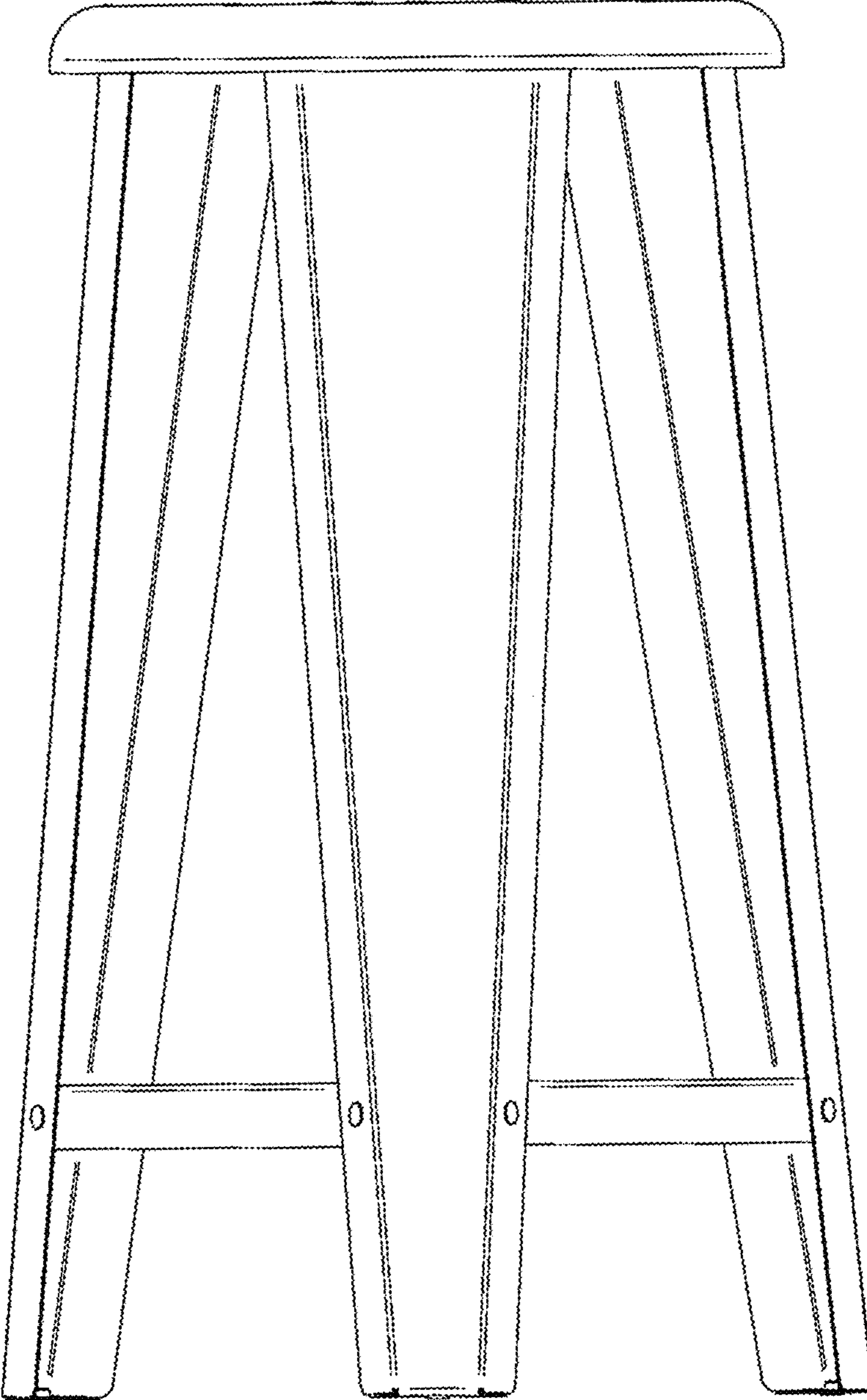


FIG. 7

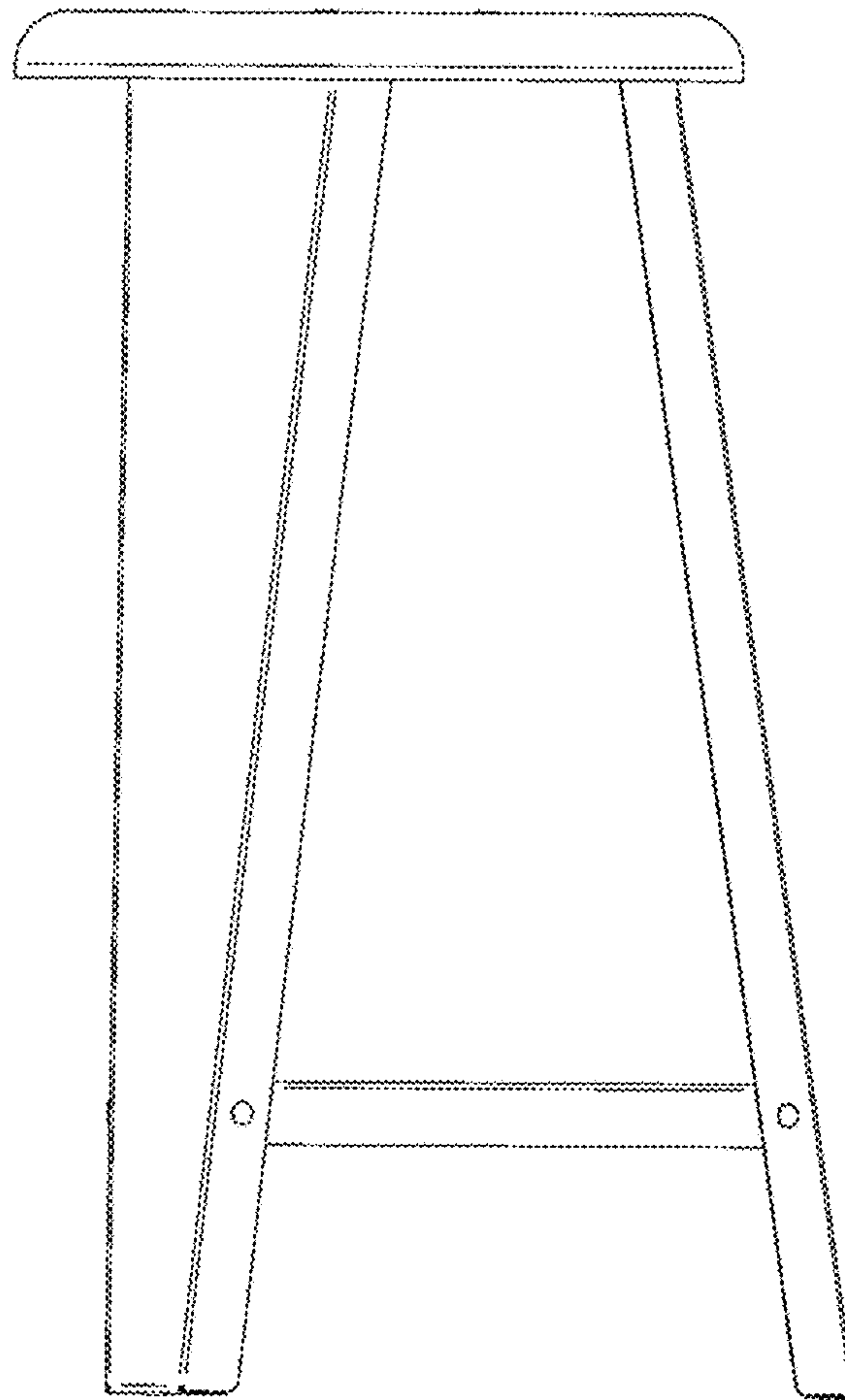


FIG. 8