



US00D794969S

(12) **United States Design Patent**
Leibovies et al.

(10) **Patent No.:** **US D794,969 S**
(45) **Date of Patent:** **** Aug. 22, 2017**

(54) **FURNITURE AND STORAGE SET**

(71) Applicant: **Keter Plastic Ltd.**, Herzelya (IL)
(72) Inventors: **Daniel Leibovies**, Pardes Hanna-Karkur (IL); **Inna Shimelmits**, Tel Aviv (IL); **Shimrit Weiss**, Herzelia (IL)

(73) Assignee: **Keter Plastic Ltd.**, Herzelia (IL)

(**) Term: **15 Years**

(21) Appl. No.: **29/553,722**

(22) Filed: **Feb. 4, 2016**

(51) **LOC (10) Cl.** **06-01**

(52) **U.S. Cl.**
USPC **D6/335**

(58) **Field of Classification Search**
USPC D6/329, 335, 336, 337, 686, 687
(Continued)

(56) **References Cited**

U.S. PATENT DOCUMENTS

1,379,648 A * 5/1921 Niebel A63H 33/04
144/363
1,660,119 A * 2/1928 Decker A47C 13/00
144/363

(Continued)

Primary Examiner — Deanna L Pratt

(74) *Attorney, Agent, or Firm* — Eitan, Mehulal & Sadot

(57) **CLAIM**

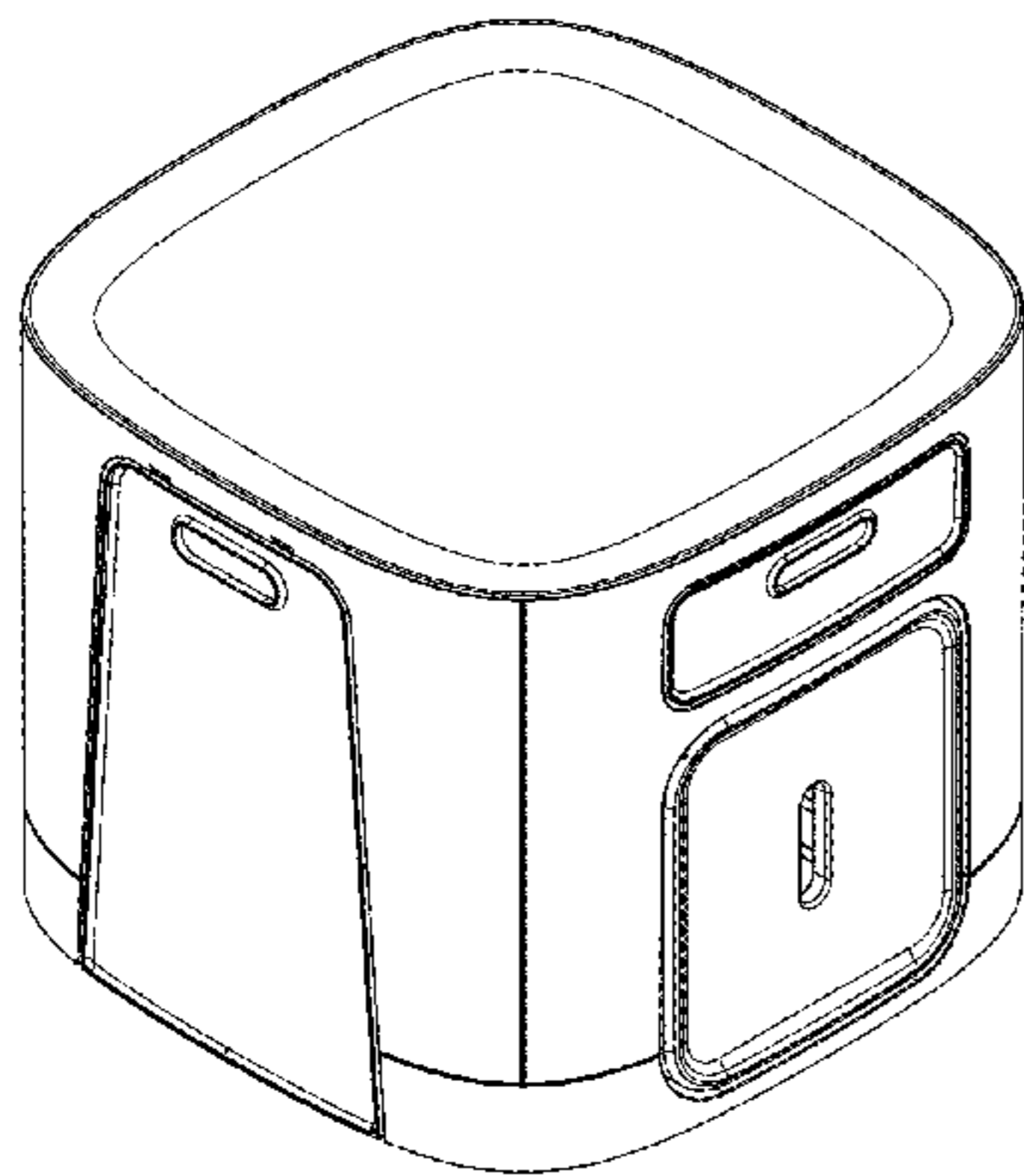
The ornamental design for a furniture and storage set, as shown and described.

DESCRIPTION

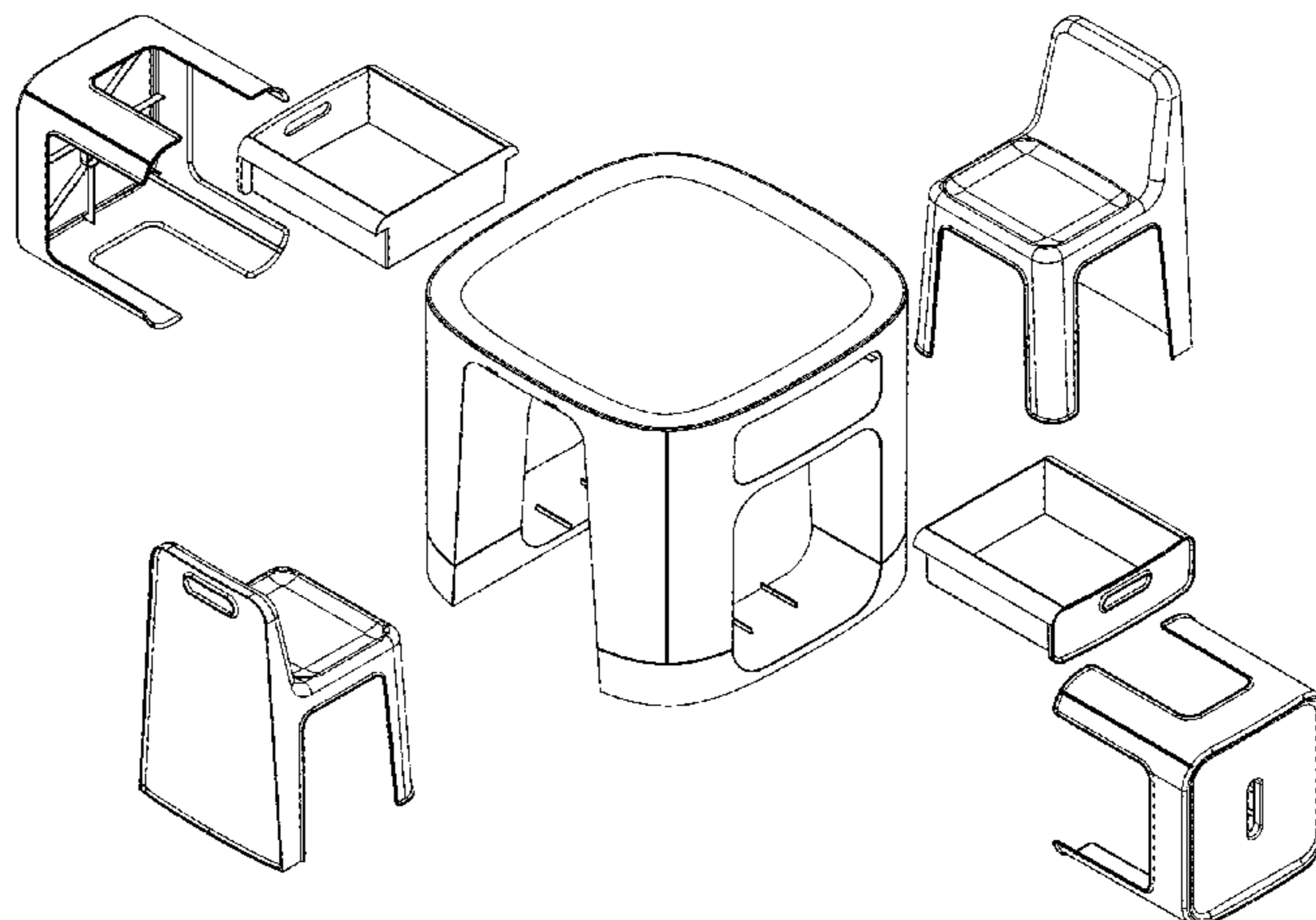
FIG. 1 is a perspective view of the furniture and storage set;
FIG. 2 is a front view thereof;

FIG. 3 is a rear view thereof;
FIG. 4 is a right-side view thereof;
FIG. 5 is a left-side view thereof;
FIG. 6 is a top view thereof;
FIG. 7 is a bottom view thereof;
FIG. 8 is a perspective view of the table which is part of the furniture and storage set;
FIG. 9 is a front view thereof;
FIG. 10 is a rear view thereof;
FIG. 11 is a right-side view thereof;
FIG. 12 is a left-side view thereof;
FIG. 13 is a top view thereof;
FIG. 14 is a bottom view thereof;
FIG. 15 is a perspective view of the chair which is part of the furniture and storage set;
FIG. 16 is a front view thereof;
FIG. 17 is a rear view thereof;
FIG. 18 is a right-side view thereof;
FIG. 19 is a left-side view thereof;
FIG. 20 is a top view thereof;
FIG. 21 is a bottom view thereof;
FIG. 22 is a perspective view of the stool which is part of the furniture and storage set;
FIG. 23 is a front view thereof;
FIG. 24 is a rear view thereof;
FIG. 25 is a right-side view thereof;
FIG. 26 is a left-side view thereof;
FIG. 27 is a top view thereof;
FIG. 28 is a bottom view thereof;
FIG. 29 is a perspective view of the drawer which is part of the furniture and storage set;
FIG. 30 is a front view thereof;
FIG. 31 is a rear view thereof;
FIG. 32 is a right-side view thereof;
FIG. 33 is a left-side view thereof;
FIG. 34 is a top view thereof;
FIG. 35 is a bottom view thereof;
FIG. 36 is another perspective open view of the furniture and storage set; and,
FIG. 37 is yet another perspective open view thereof.

1 Claim, 22 Drawing Sheets



PERSPECTIVE VIEW



PERSPECTIVE VIEW

- (58) **Field of Classification Search**
 CPC A47B 83/02; A47B 83/04; A47B 2220/01
 See application file for complete search history.

(56) **References Cited**

U.S. PATENT DOCUMENTS

2,145,201	A *	1/1939	Raeuber	A47B 83/02
				297/119
D235,039	S *	5/1975	Olsen	273/160
4,050,736	A *	9/1977	Karp	A47B 83/02
				297/135
D268,276	S *	3/1983	Rados	D21/479
D302,215	S *	7/1989	Fontanelli	D6/335
5,685,600	A *	11/1997	Kuo	A47B 83/02
				297/143
D387,571	S *	12/1997	Schweter	D6/335
5,865,501	A *	2/1999	Eisenberg	A47B 83/02
				297/157.1
6,045,193	A *	4/2000	Johnson	A47C 3/16
				297/135
6,270,155	B1 *	8/2001	Rashid	A47C 3/16
				297/1
D459,097	S *	6/2002	Liu	D6/336
6,739,670	B2 *	5/2004	Johnson	A47B 9/00
				108/147
D503,548	S *	4/2005	Peters	D6/335
6,883,878	B2 *	4/2005	Gorelick	A47B 83/00
				297/17
D559,563	S *	1/2008	Lighthart	D11/131
D581,179	S *	11/2008	Carmon	D6/375
D621,628	S *	8/2010	Saul	D6/335
D632,503	S *	2/2011	Saul	D6/335
D672,572	S *	12/2012	Carmon	D6/375
D673,380	S *	1/2013	Lade	D6/336
D772,588	S *	11/2016	Kim	D6/337

* cited by examiner

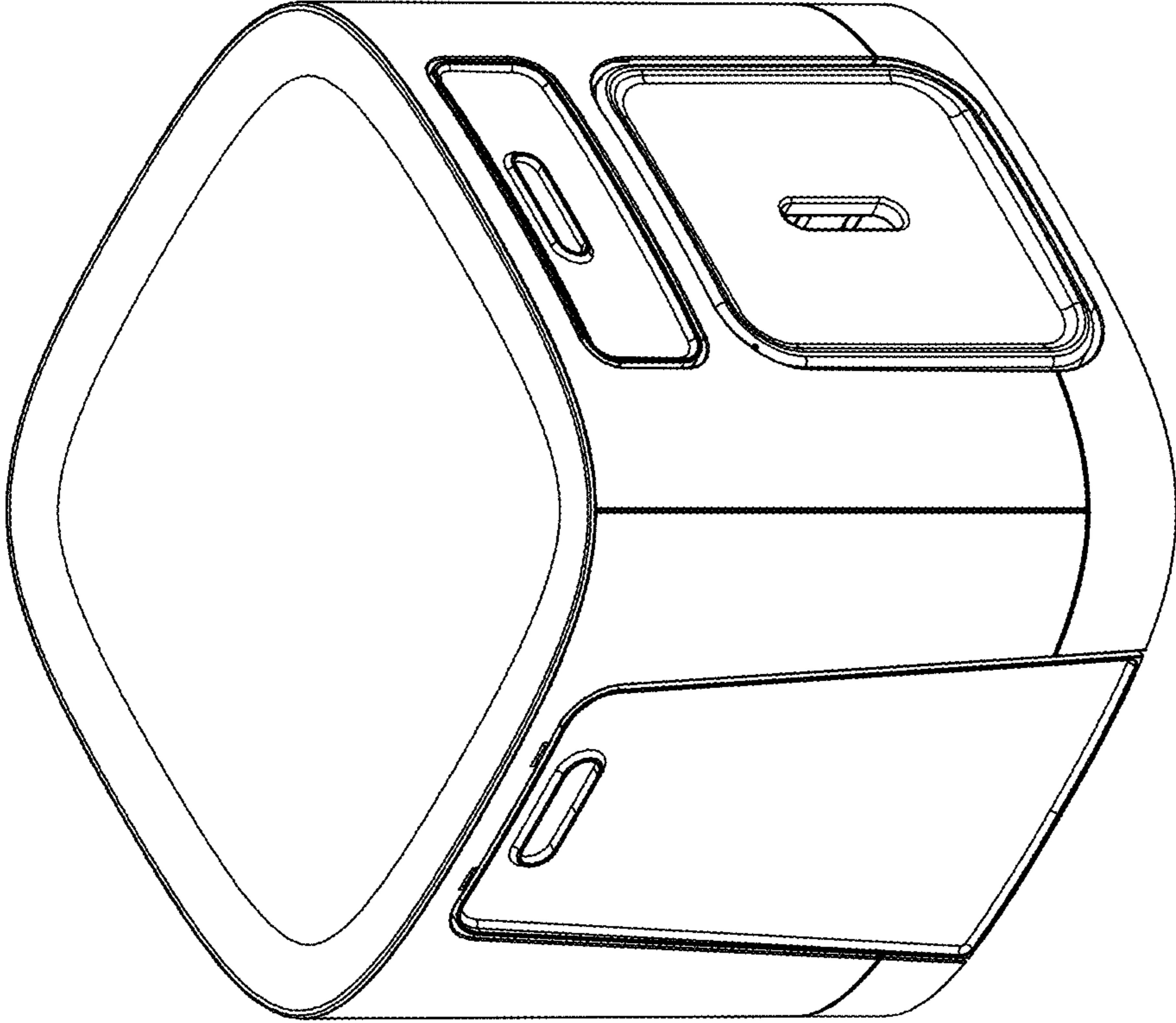


FIG.1
PERSPECTIVE VIEW

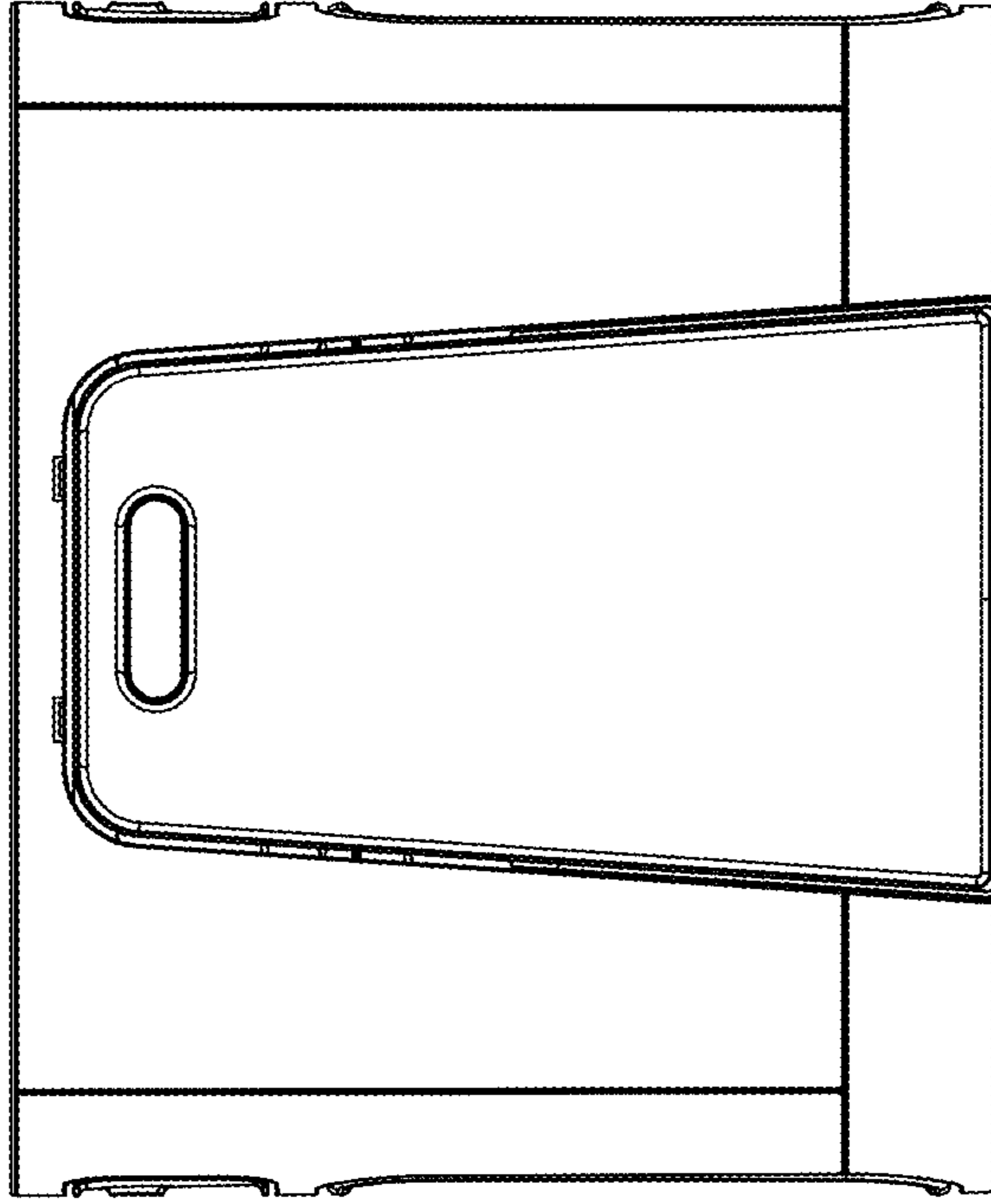


FIG.3
REAR VIEW

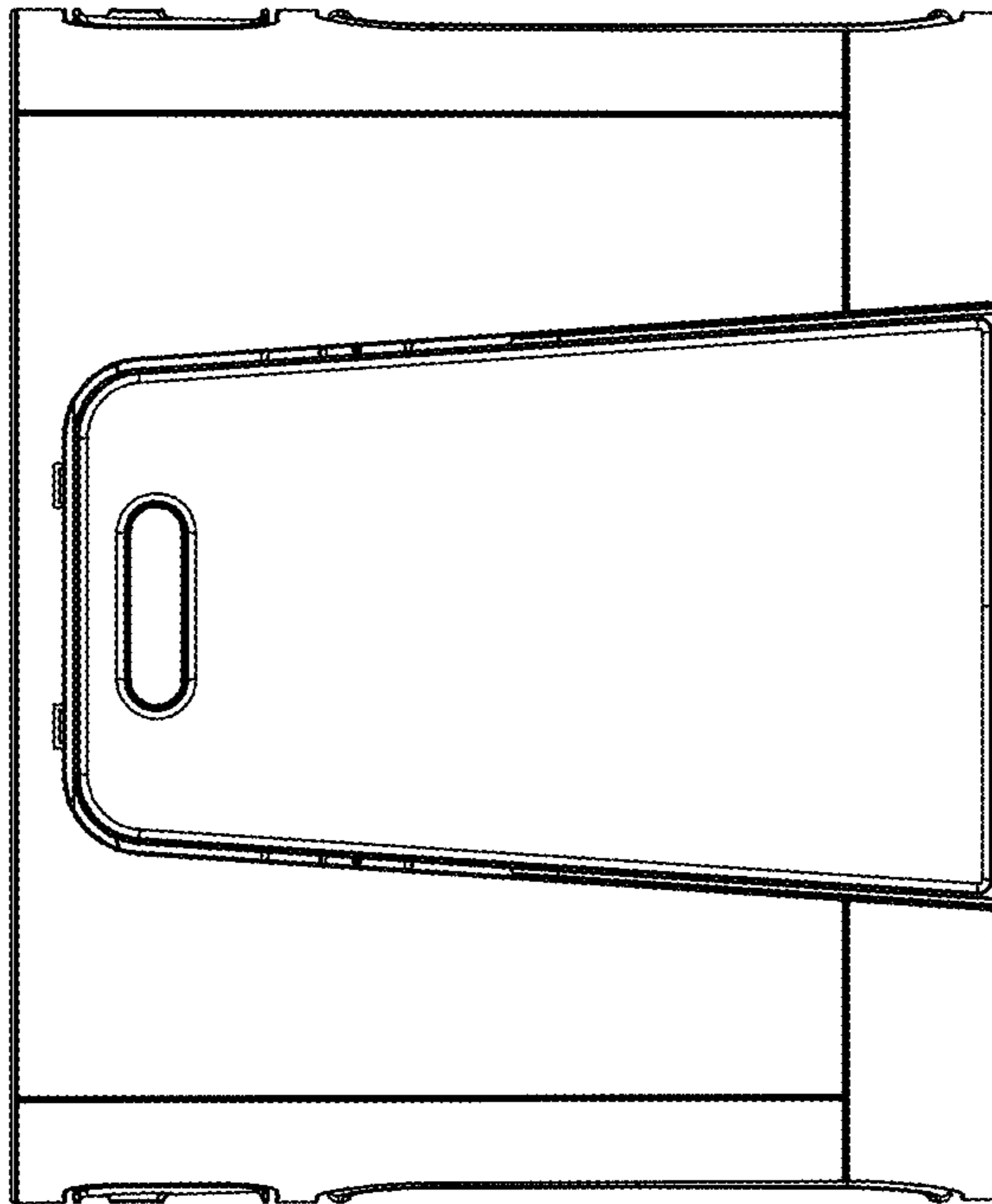


FIG.2
FRONT VIEW

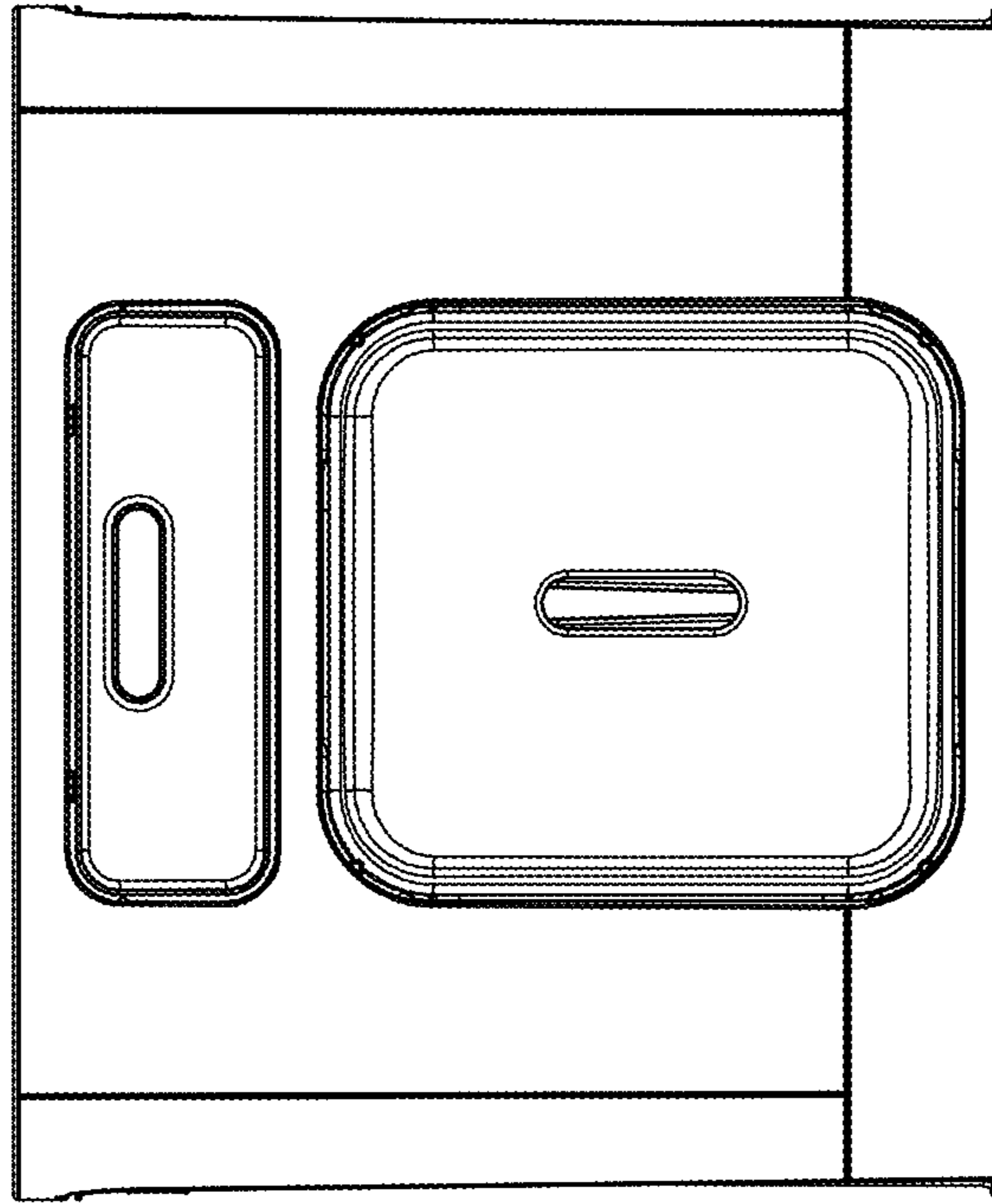


FIG. 5
SIDE VIEW

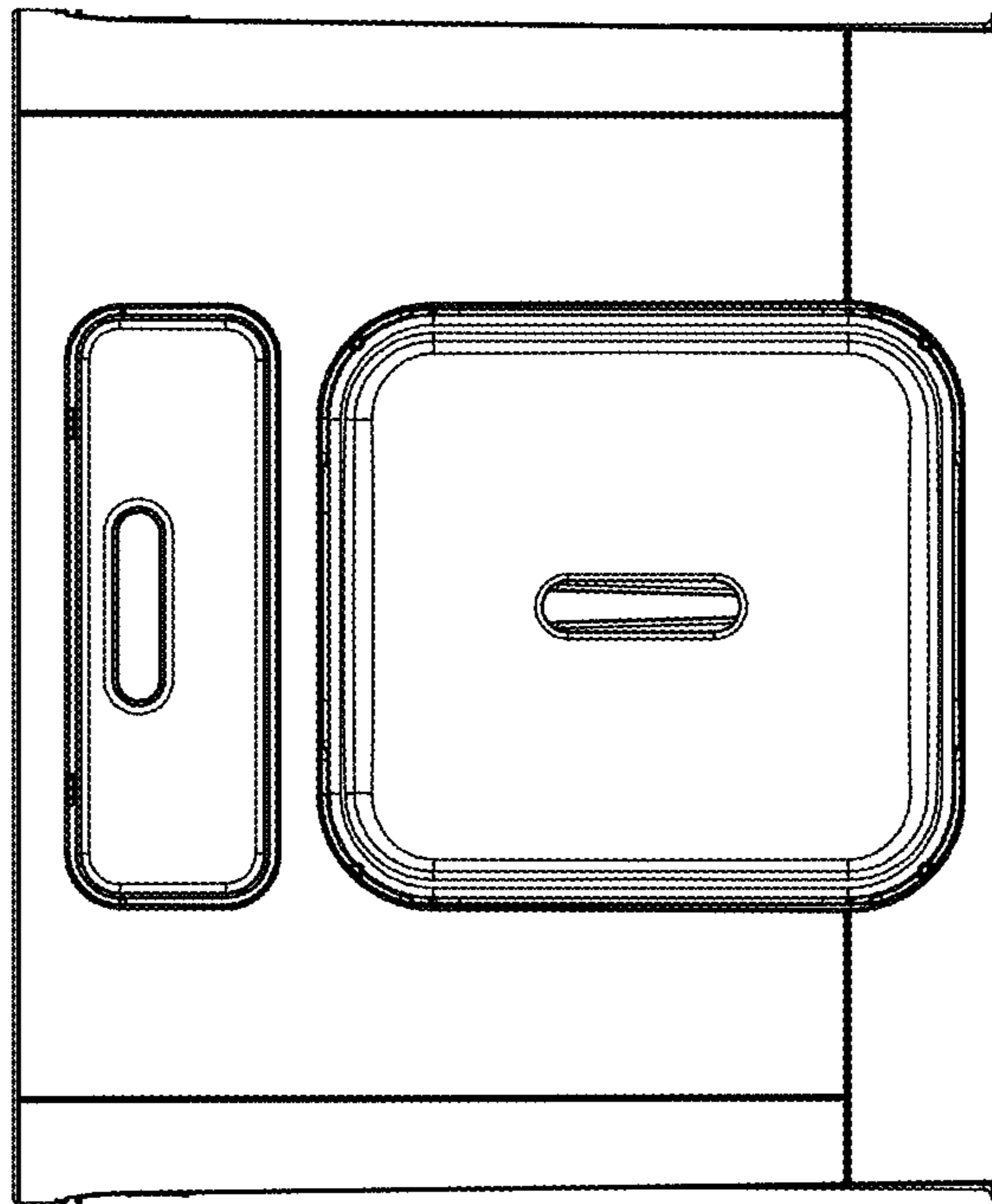


FIG. 4
SIDE VIEW

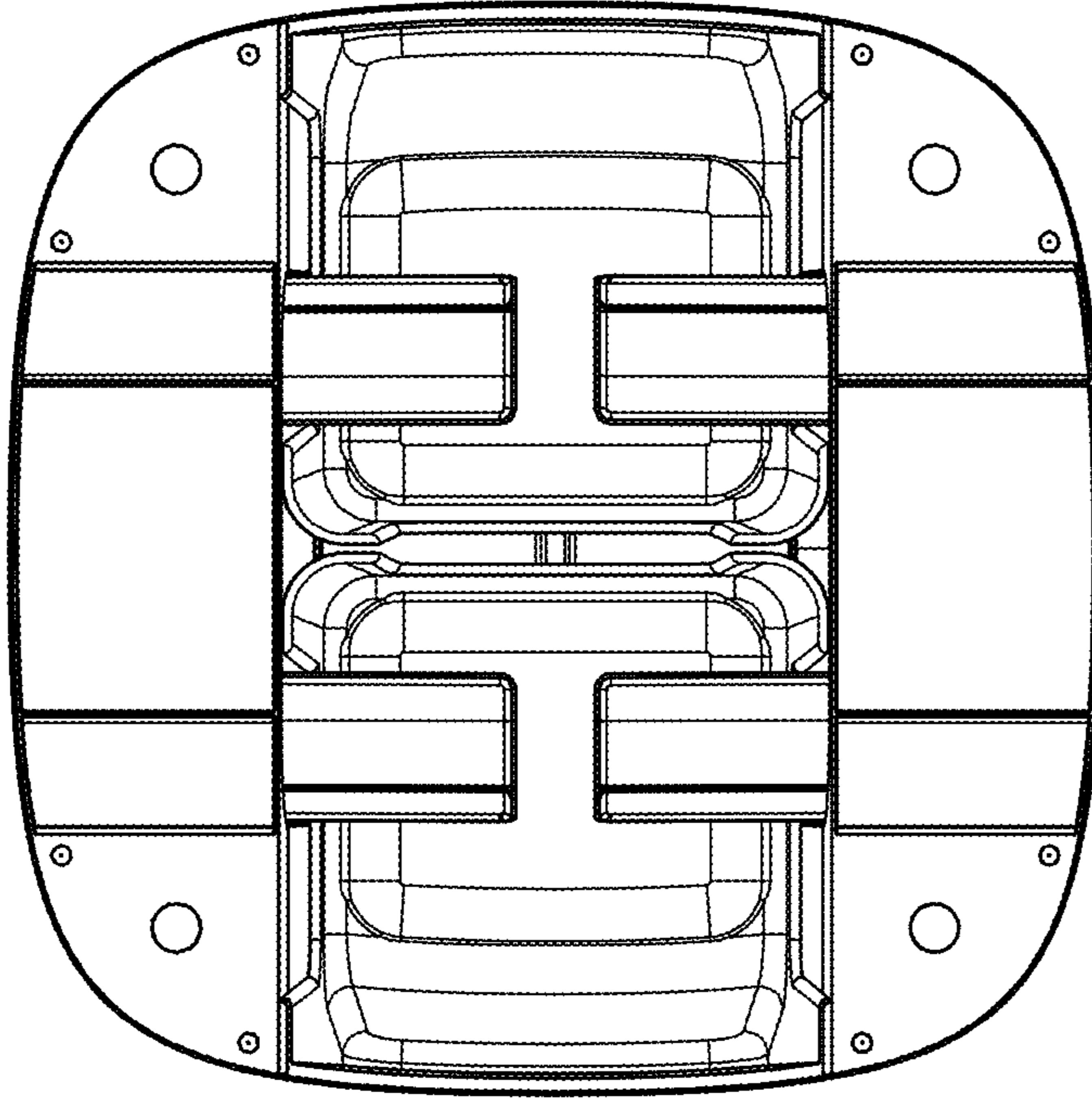


FIG. 7
BOTTOM VIEW

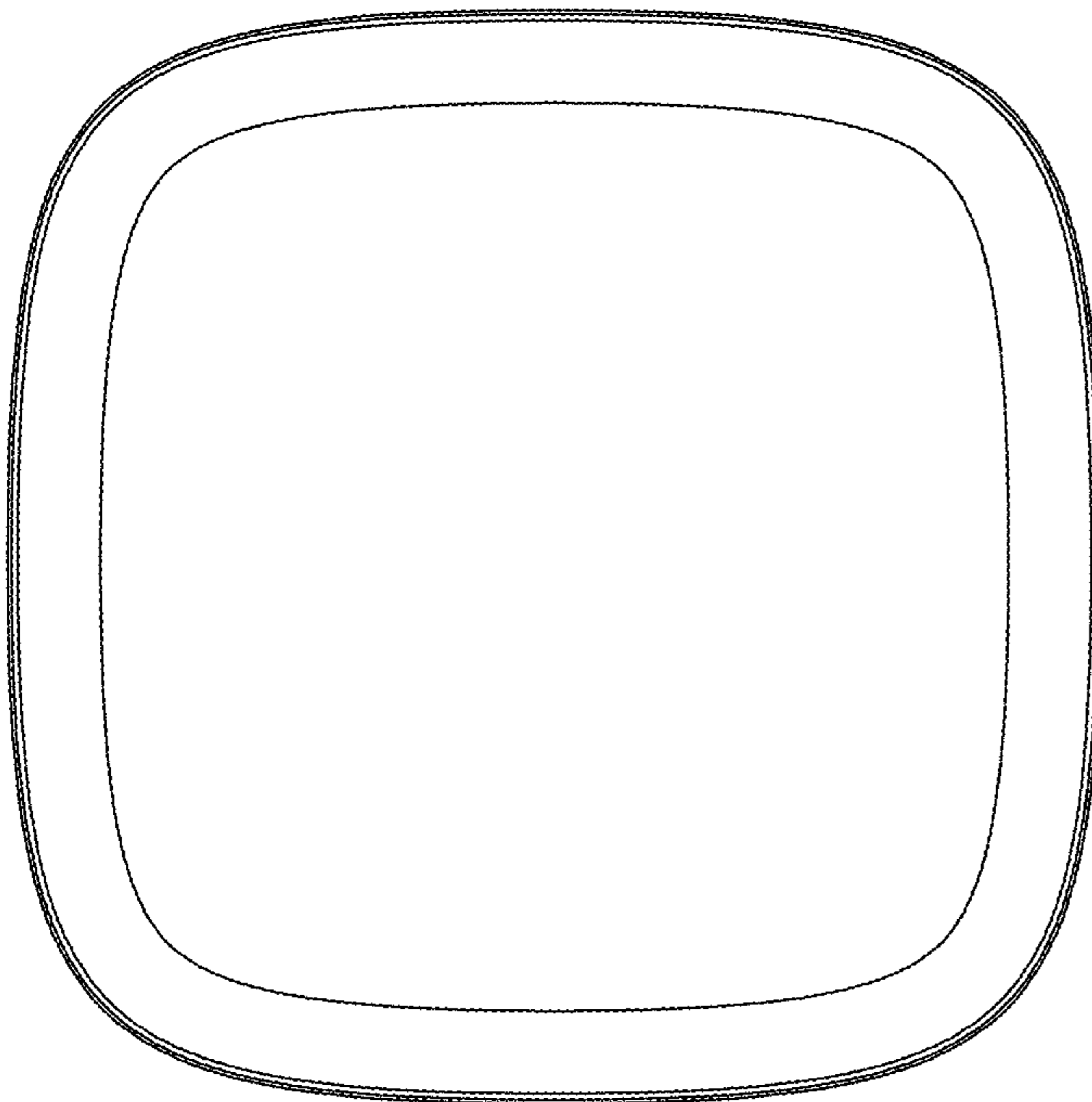


FIG. 6
TOP VIEW

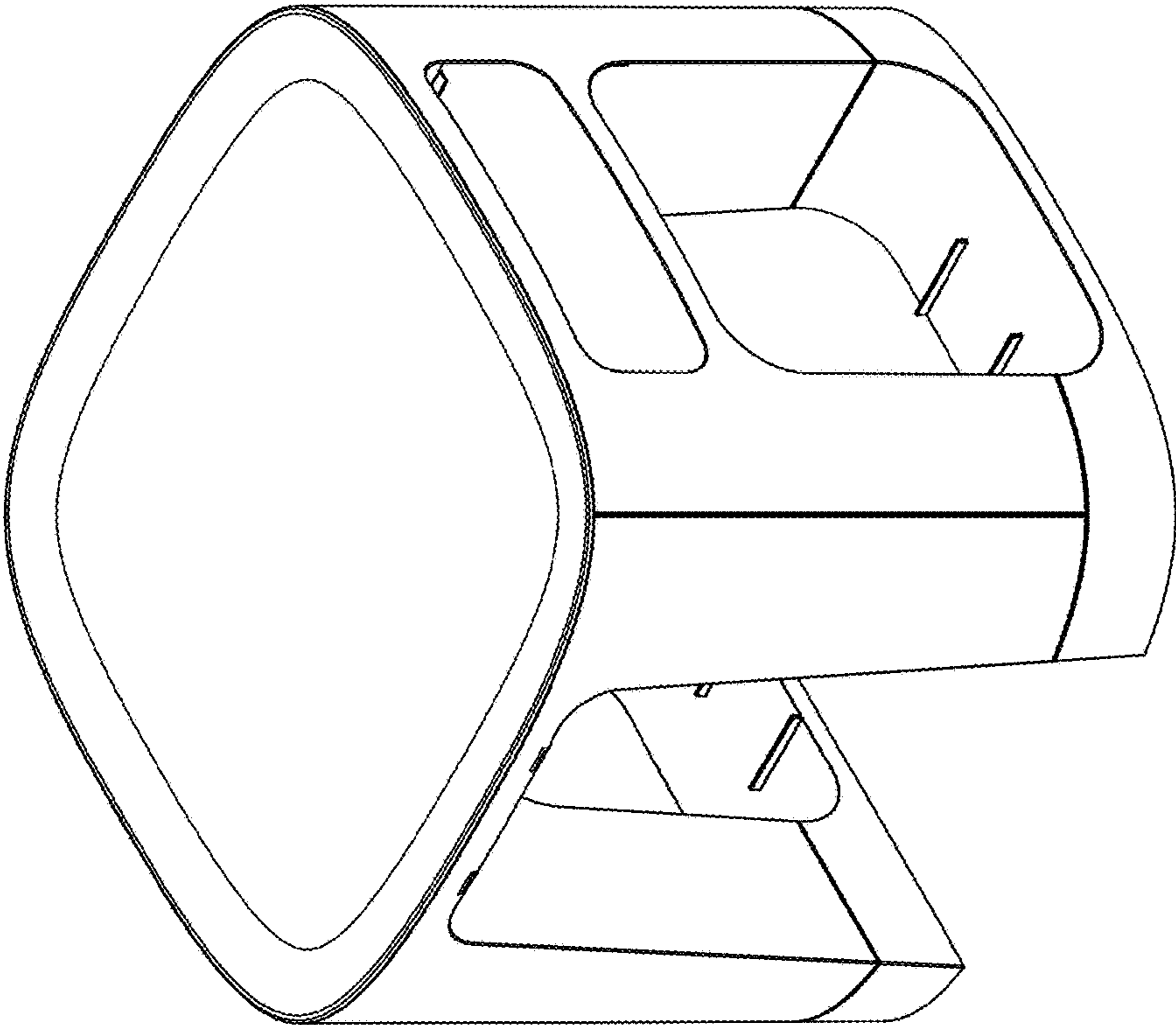


FIG. 8
PERSPECTIVE VIEW

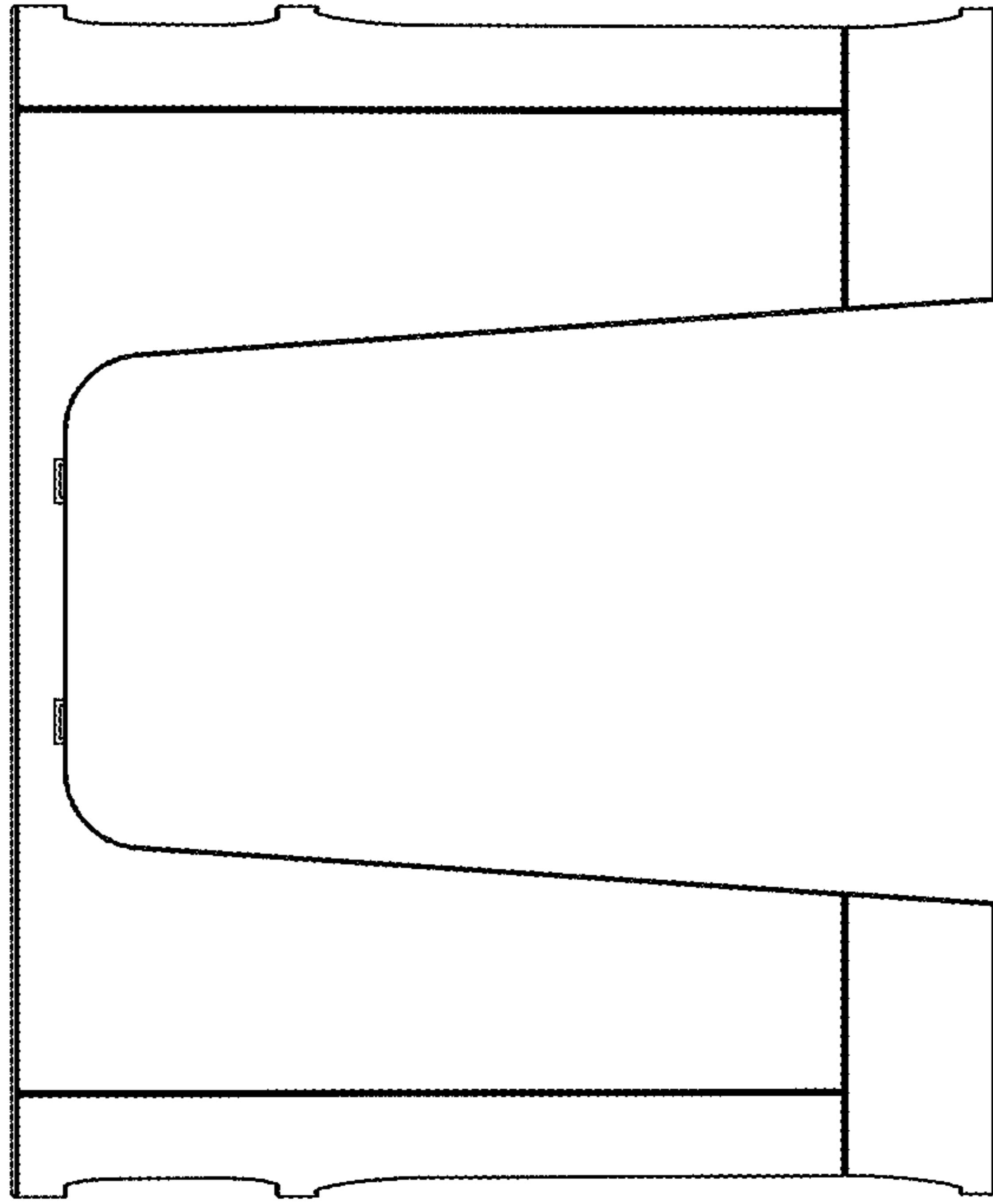


FIG. 9
FRONT VIEW

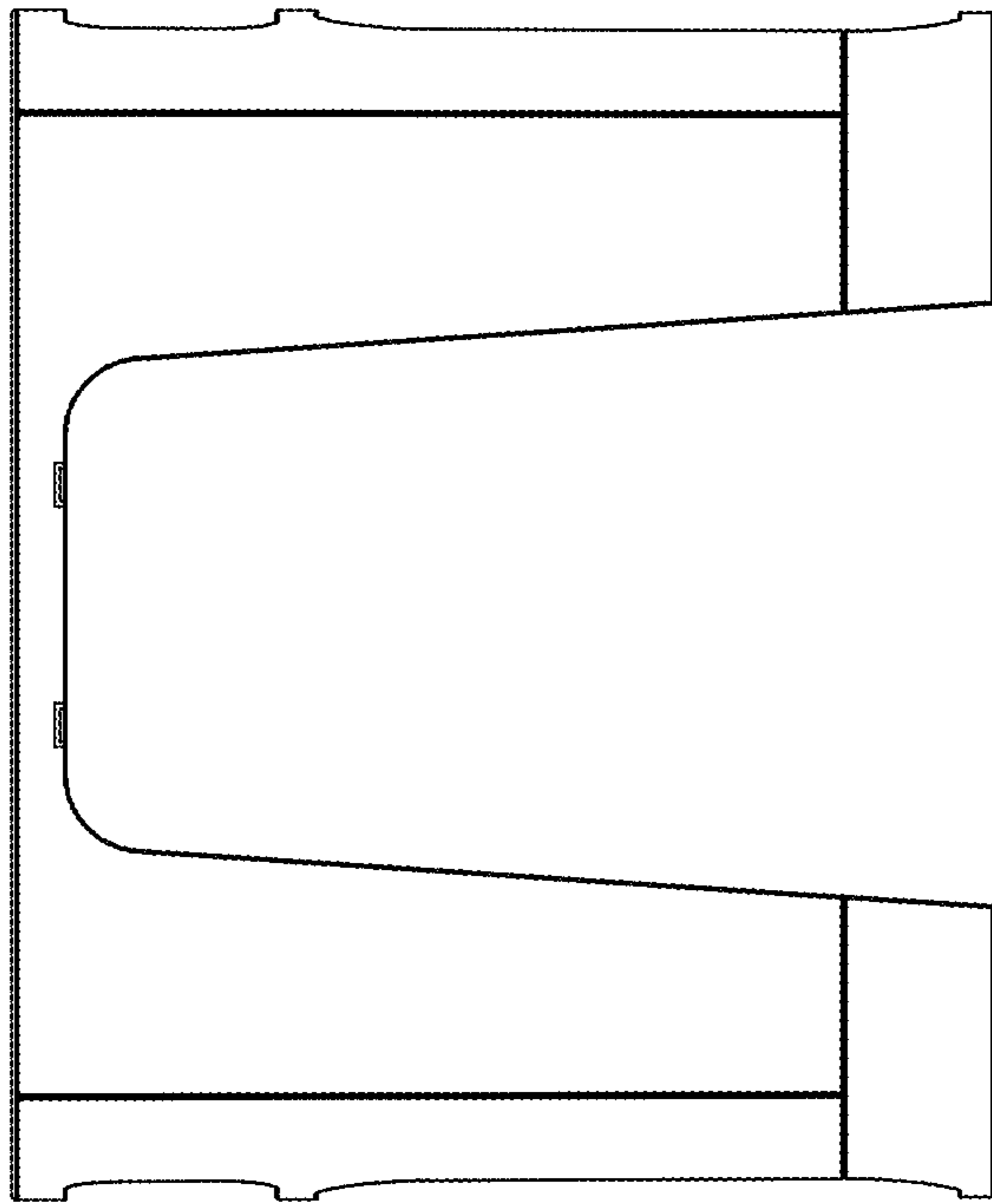


FIG. 10
REAR VIEW

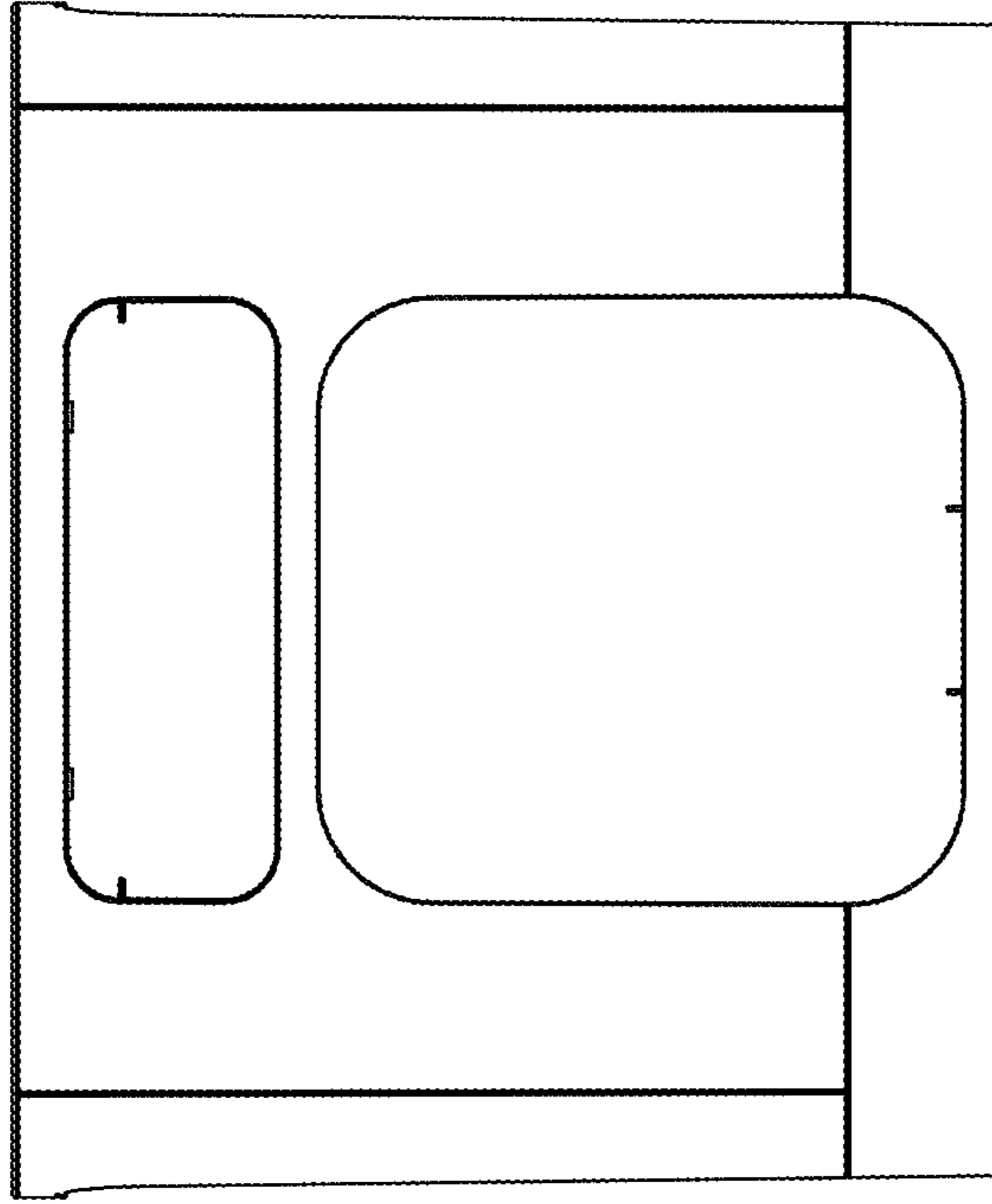


FIG.12
SIDE VIEW

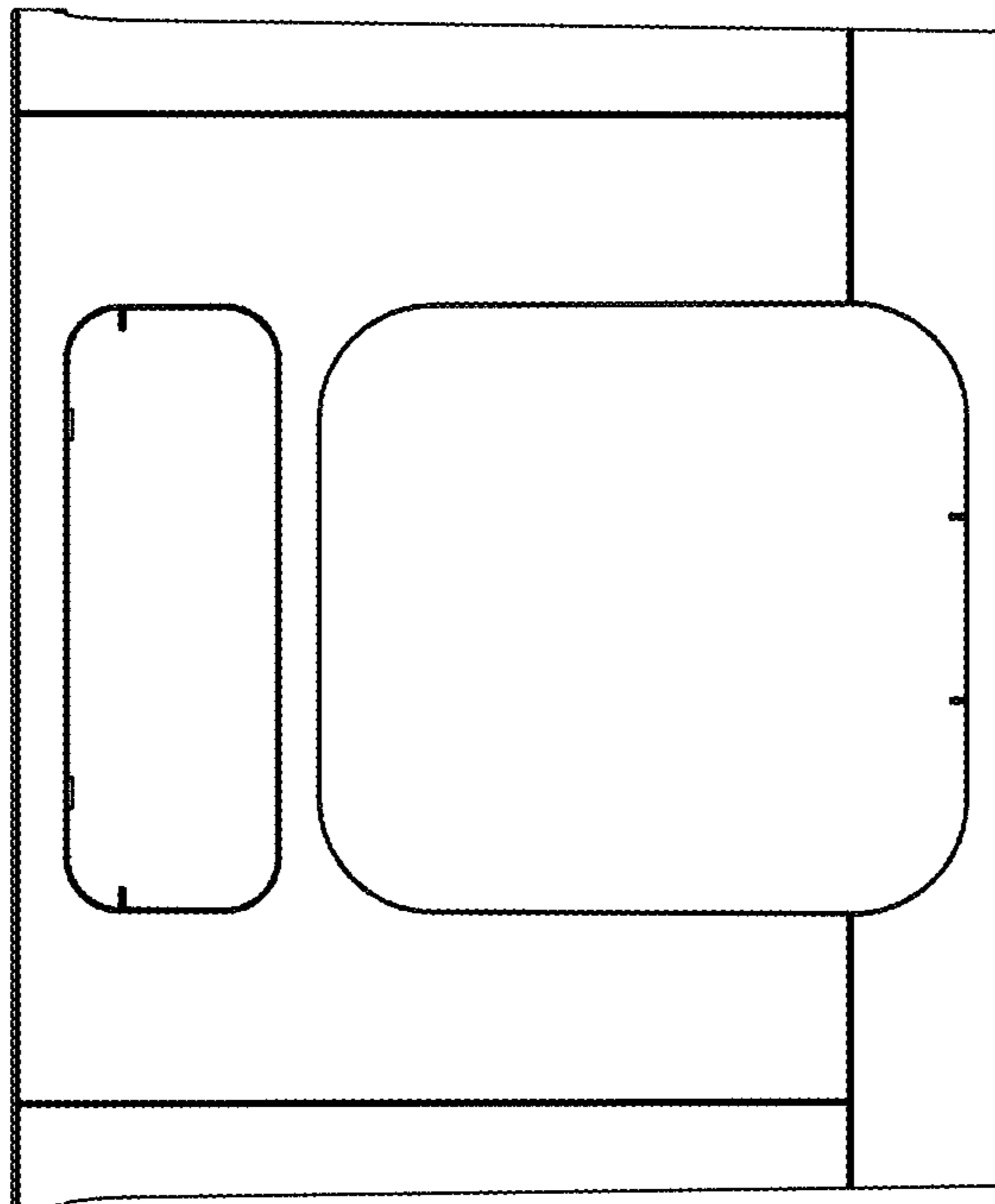


FIG.11
SIDE VIEW

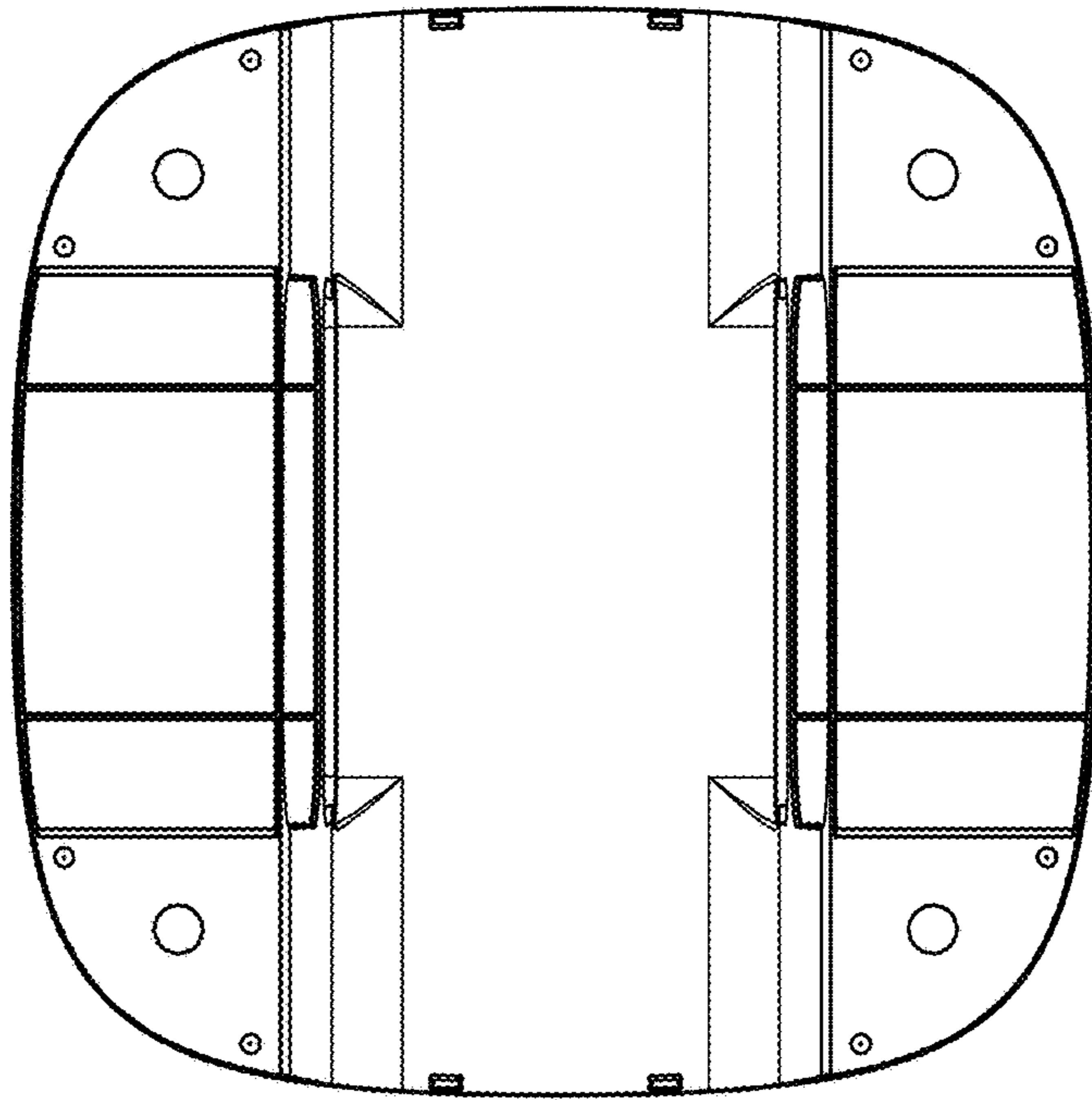


FIG.14
BOTTOM VIEW

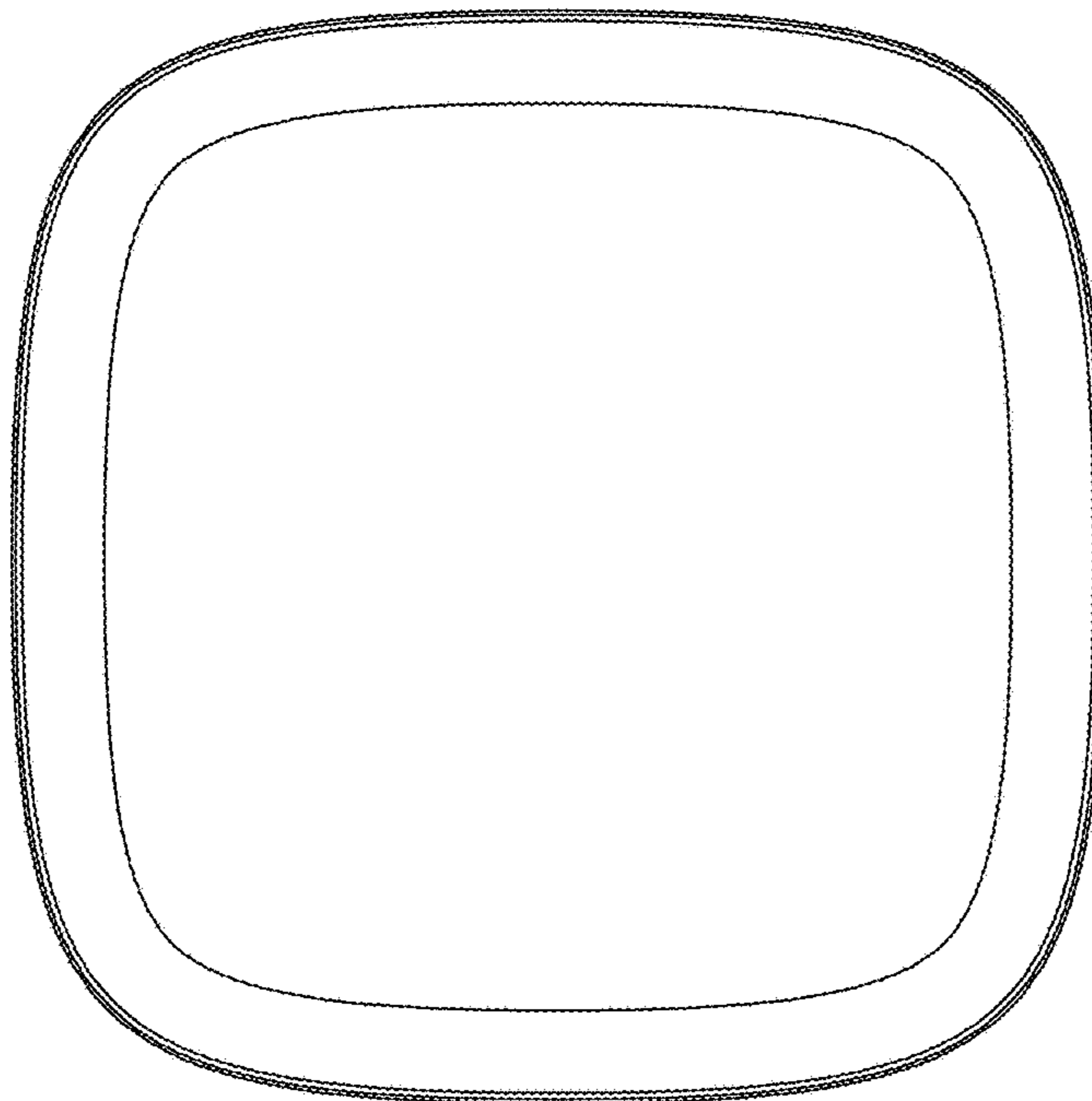


FIG.13
TOP VIEW

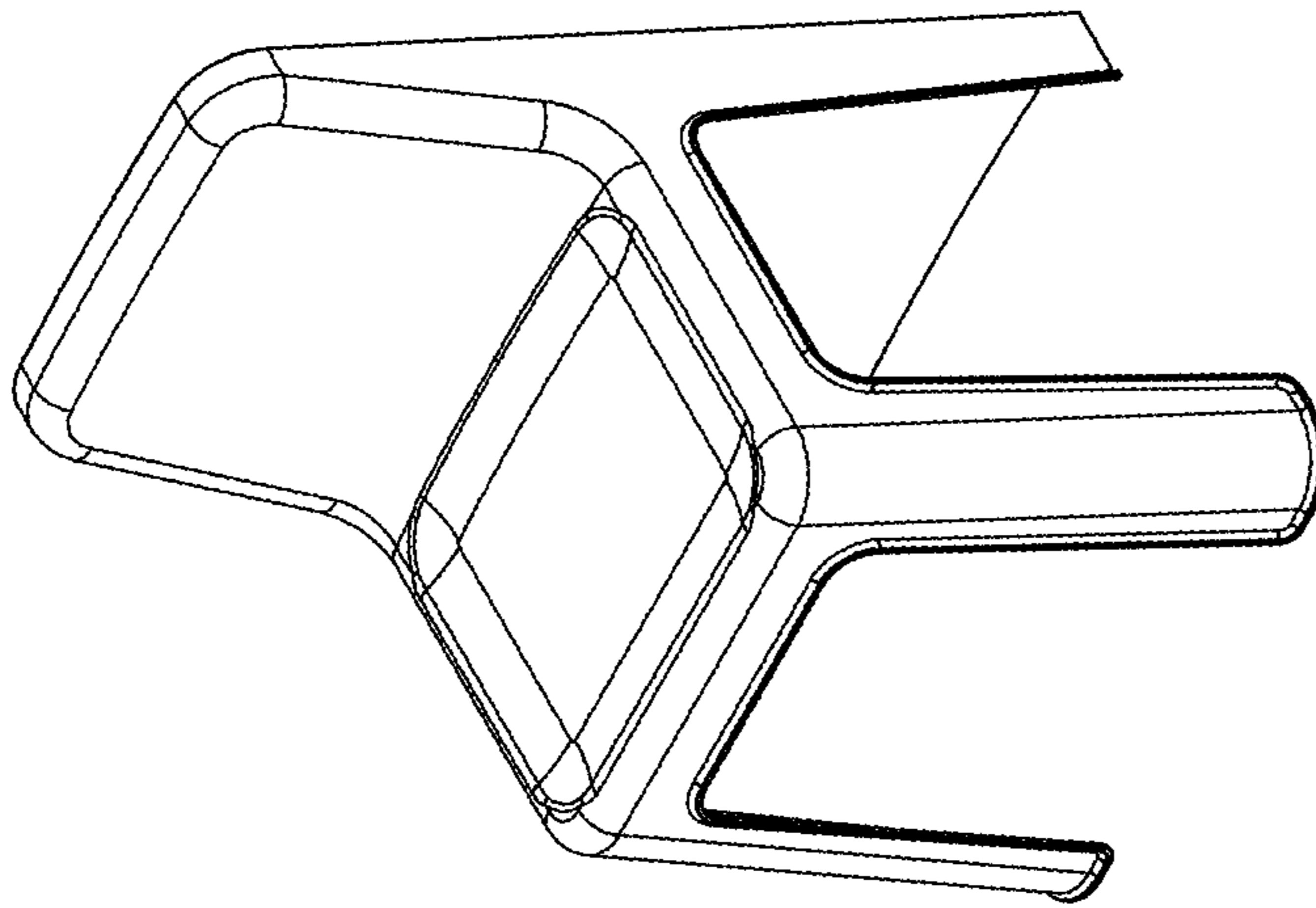


FIG.15
PERSPECTIVE VIEW

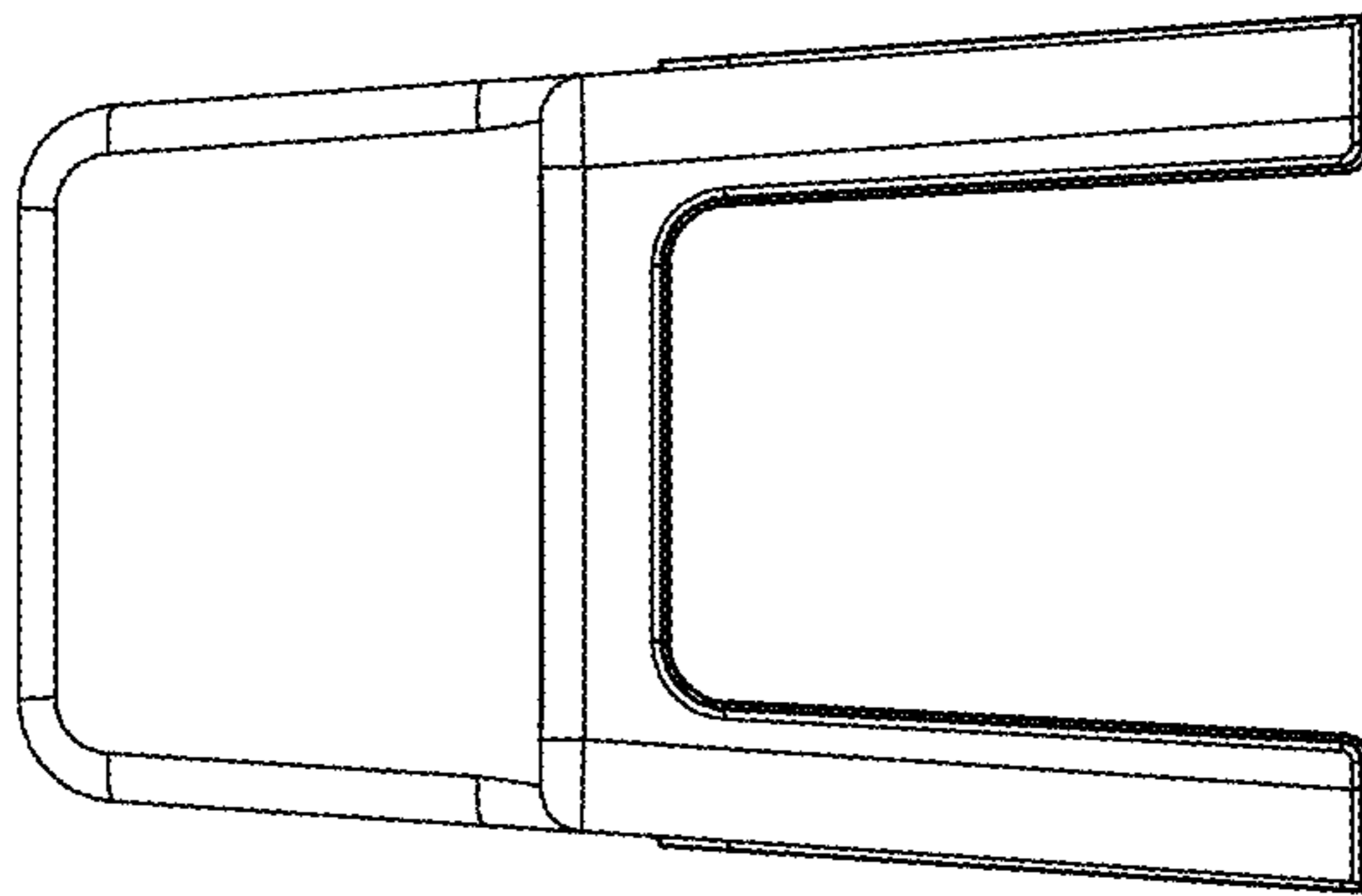


FIG. 16
FRONT VIEW

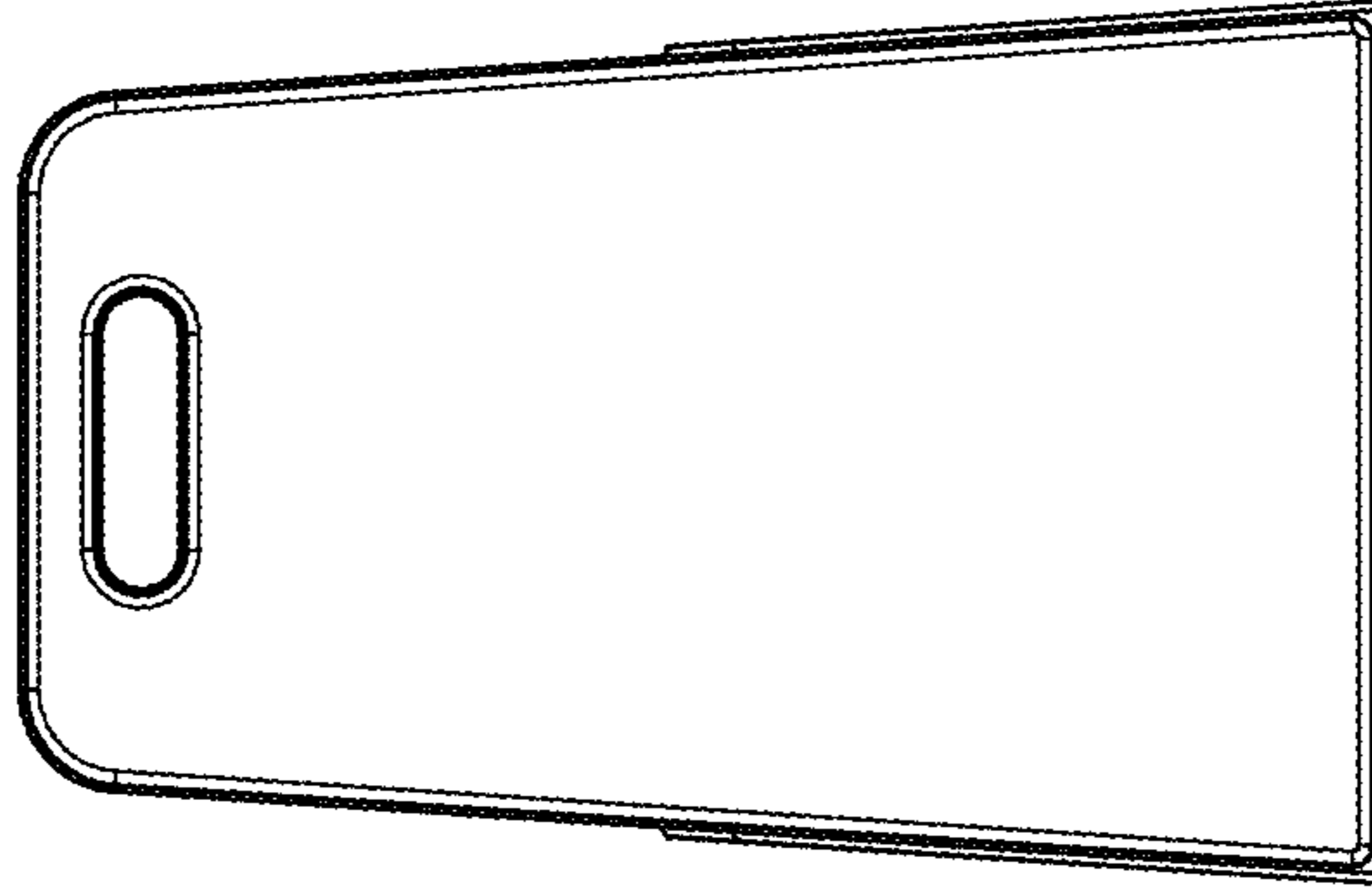


FIG. 17
REAR VIEW

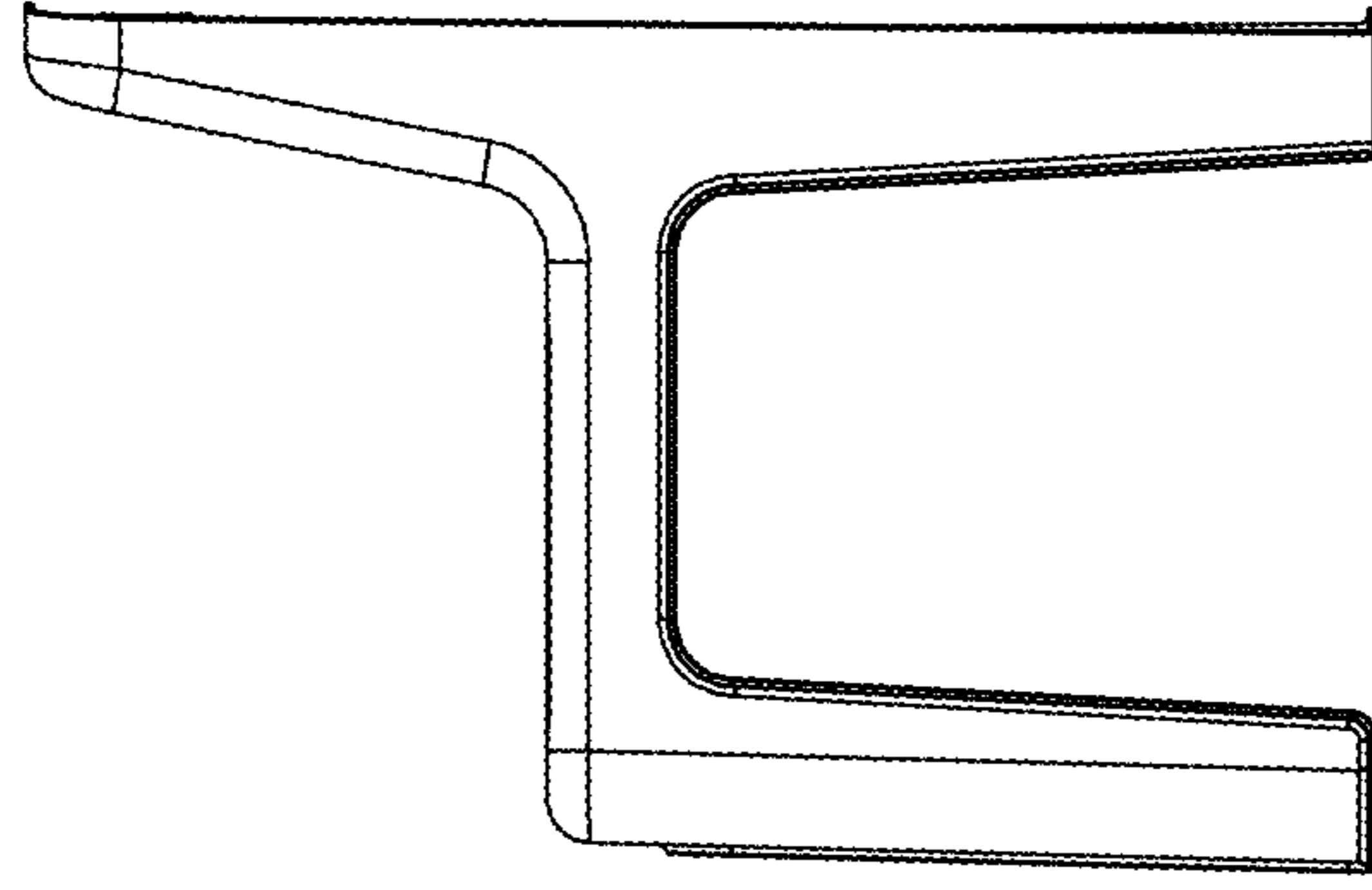


FIG. 19
SIDE VIEW

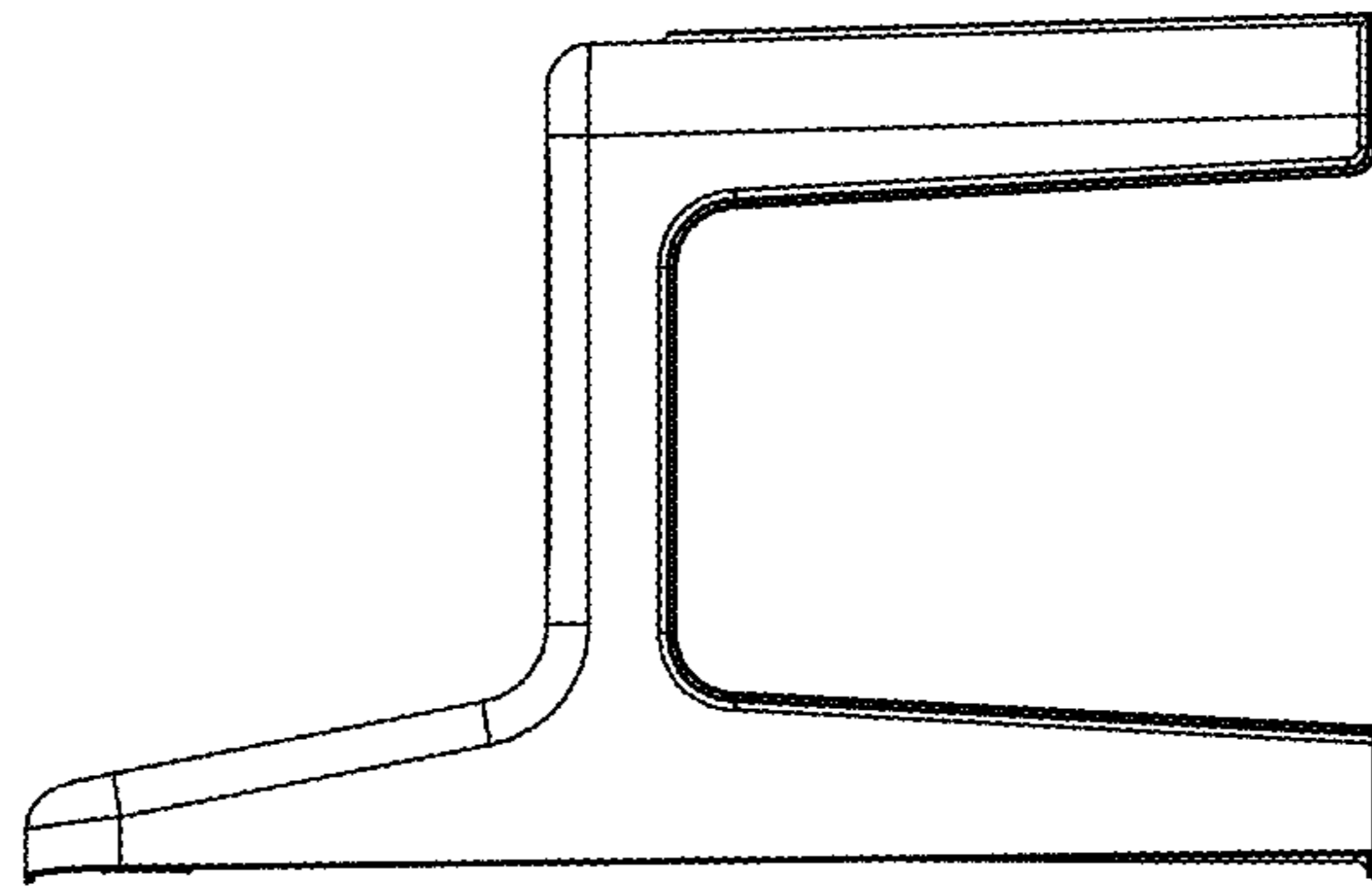


FIG. 18
SIDE VIEW

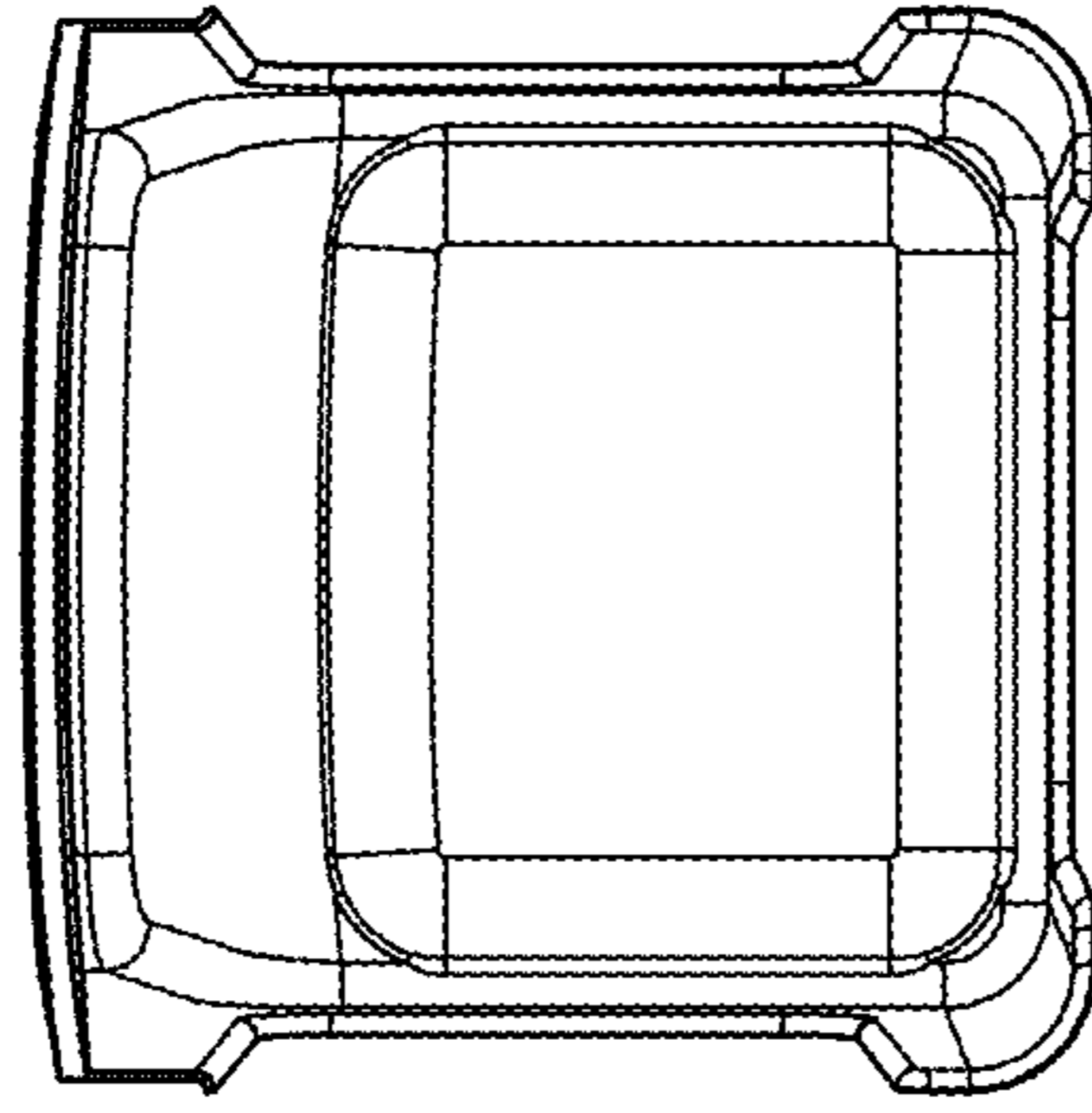


FIG. 21
BOTTOM VIEW

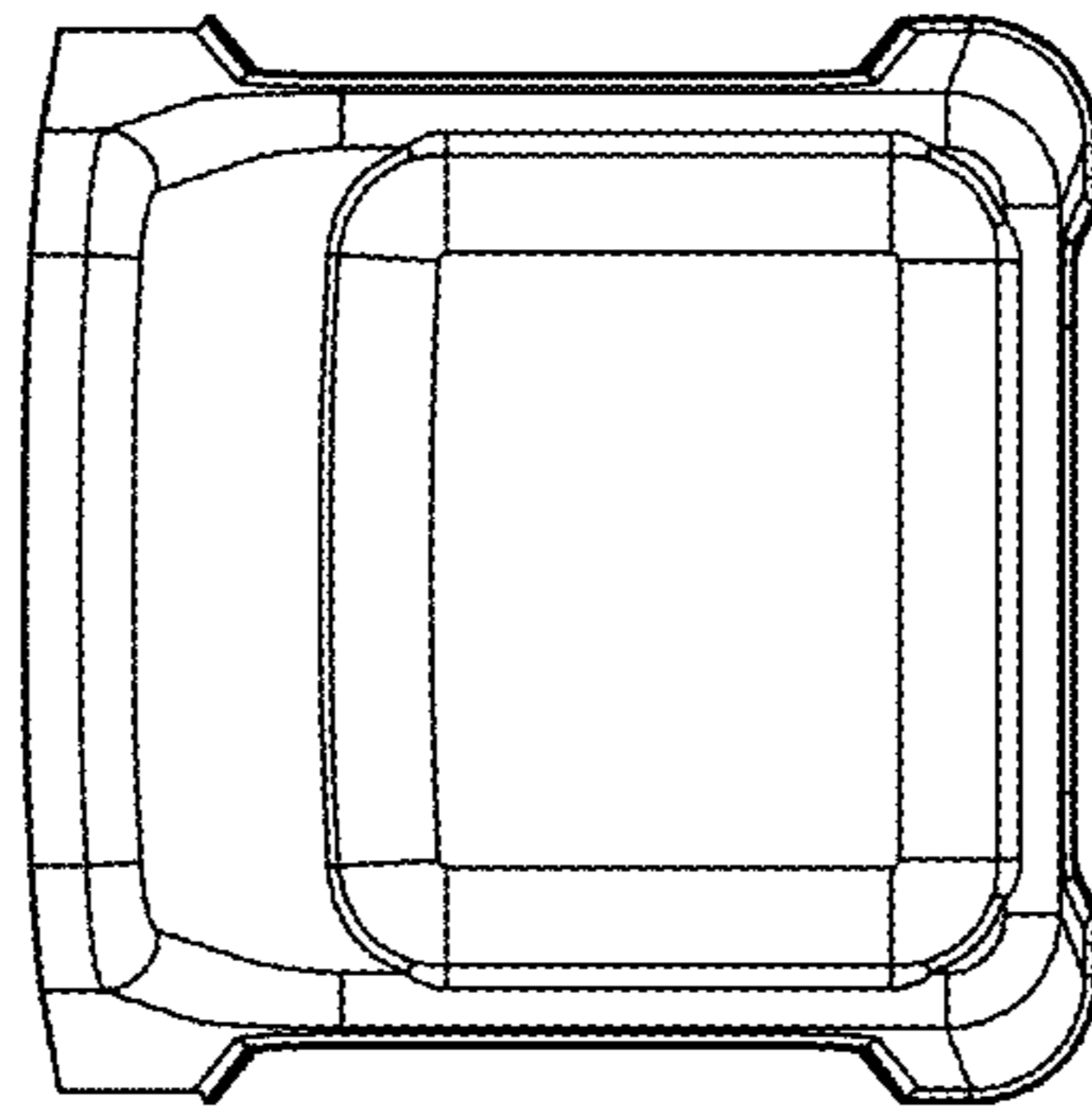


FIG. 20
TOP VIEW

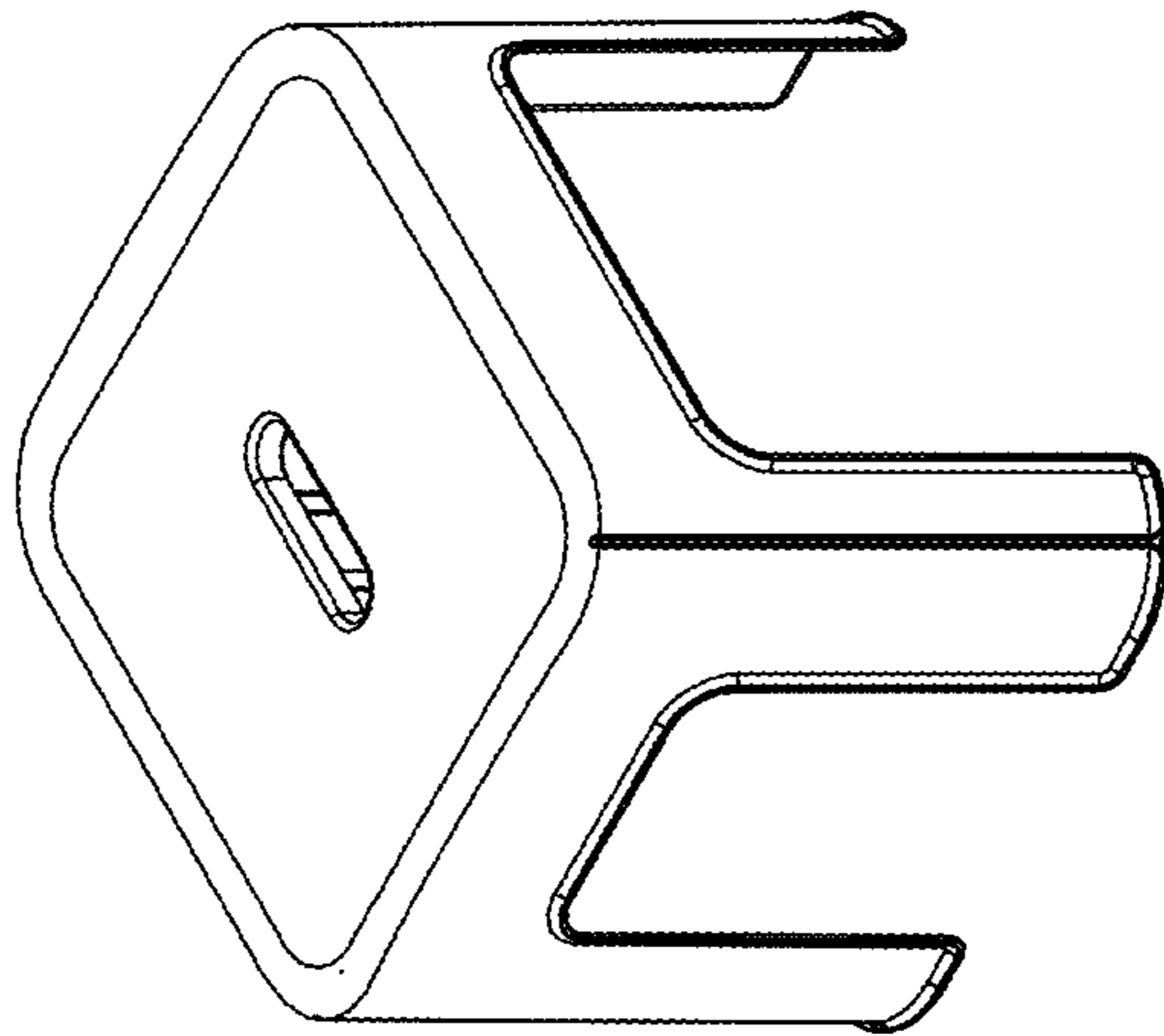


FIG. 22
PERSPECTIVE VIEW

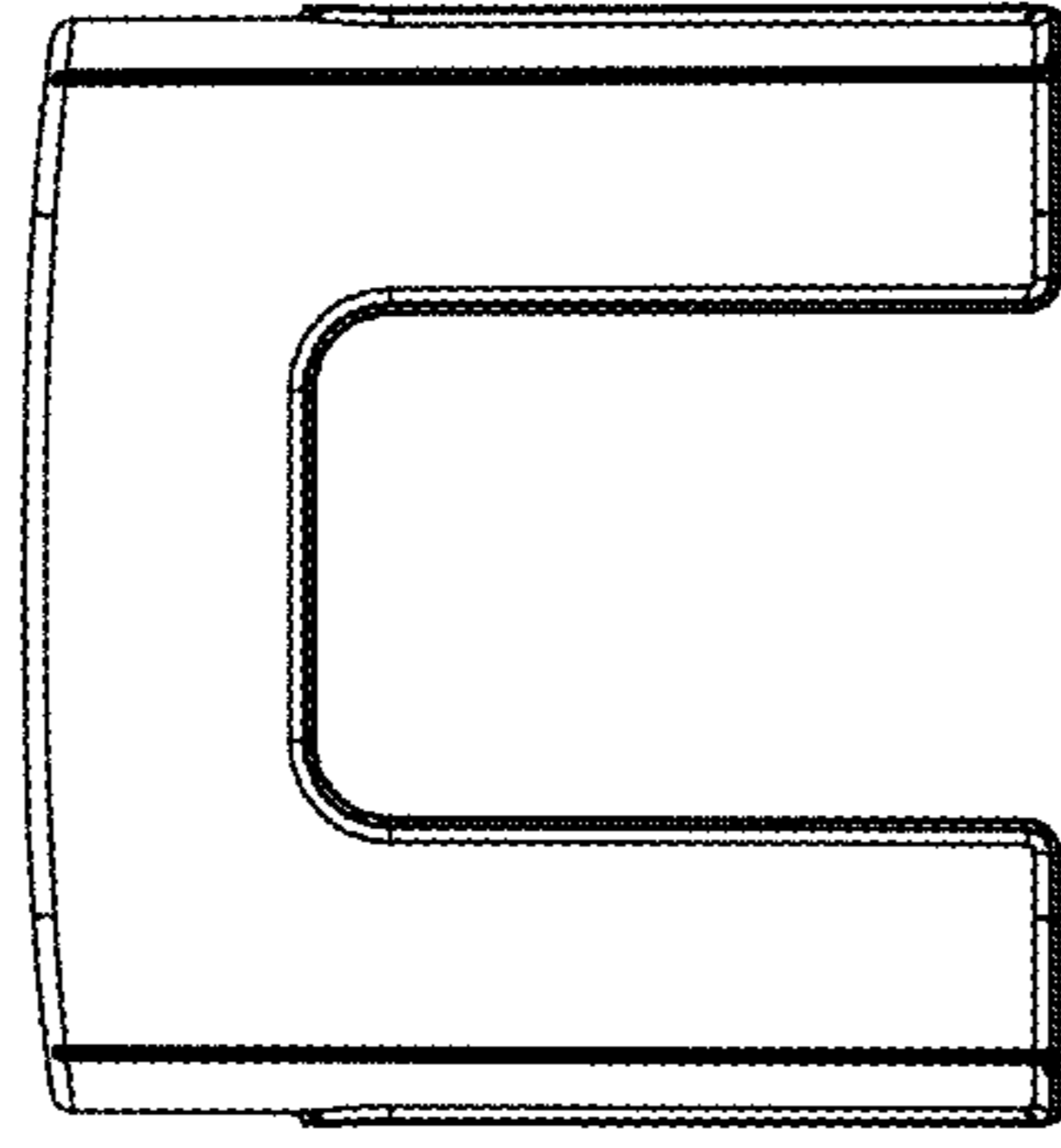


FIG. 23
FRONT VIEW

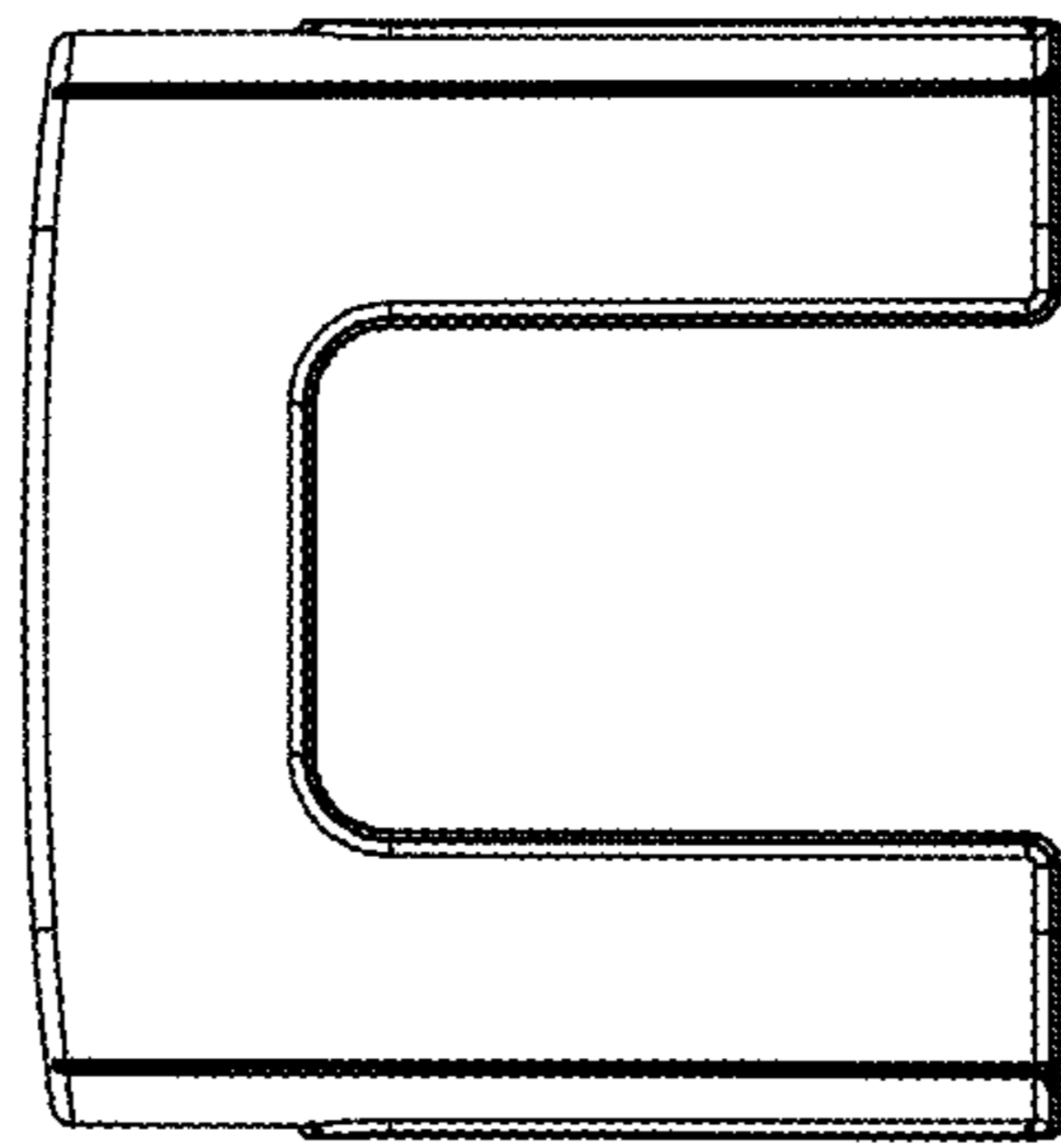


FIG. 24
REAR VIEW

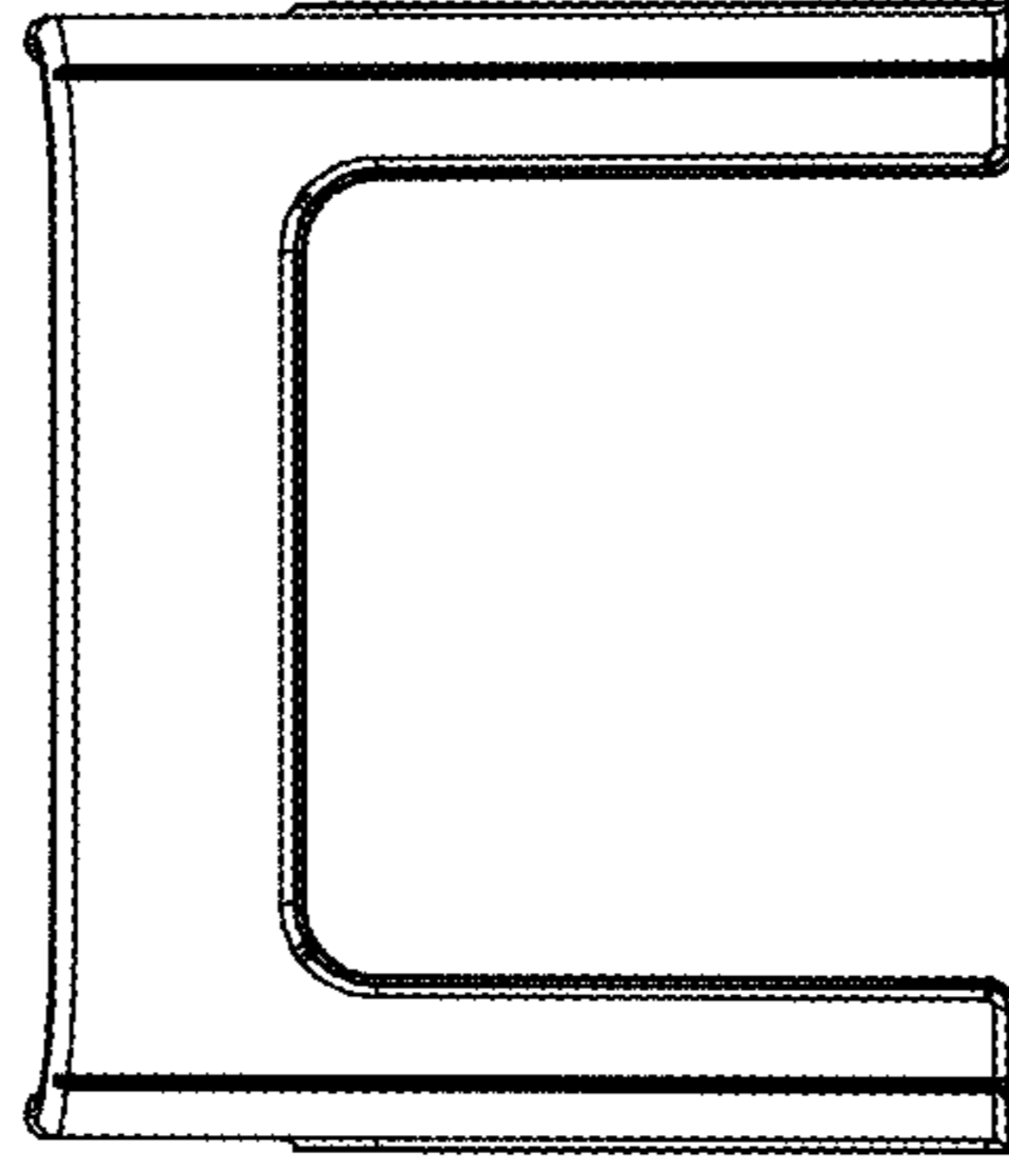


FIG. 25
SIDE VIEW

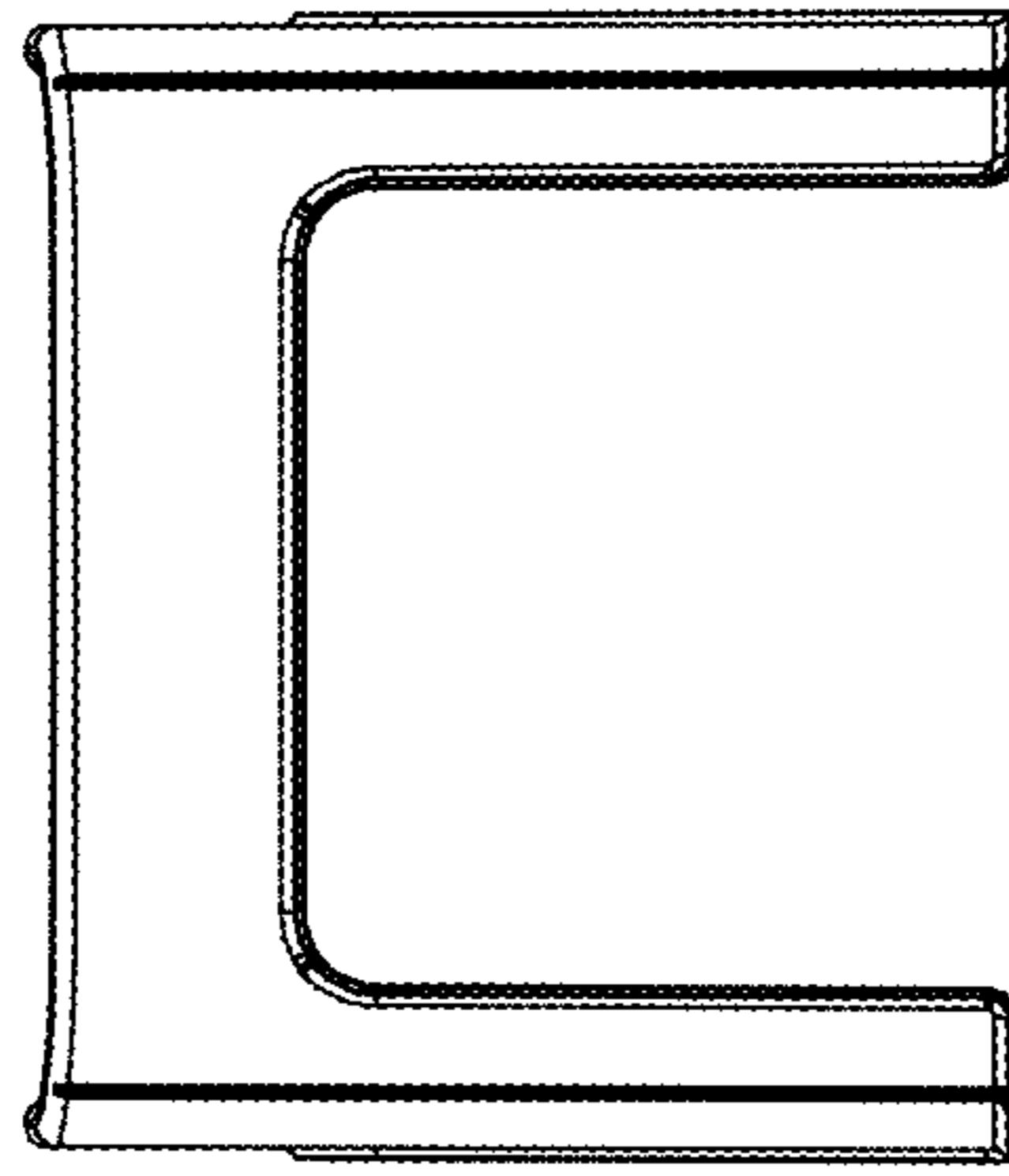


FIG. 26
SIDE VIEW

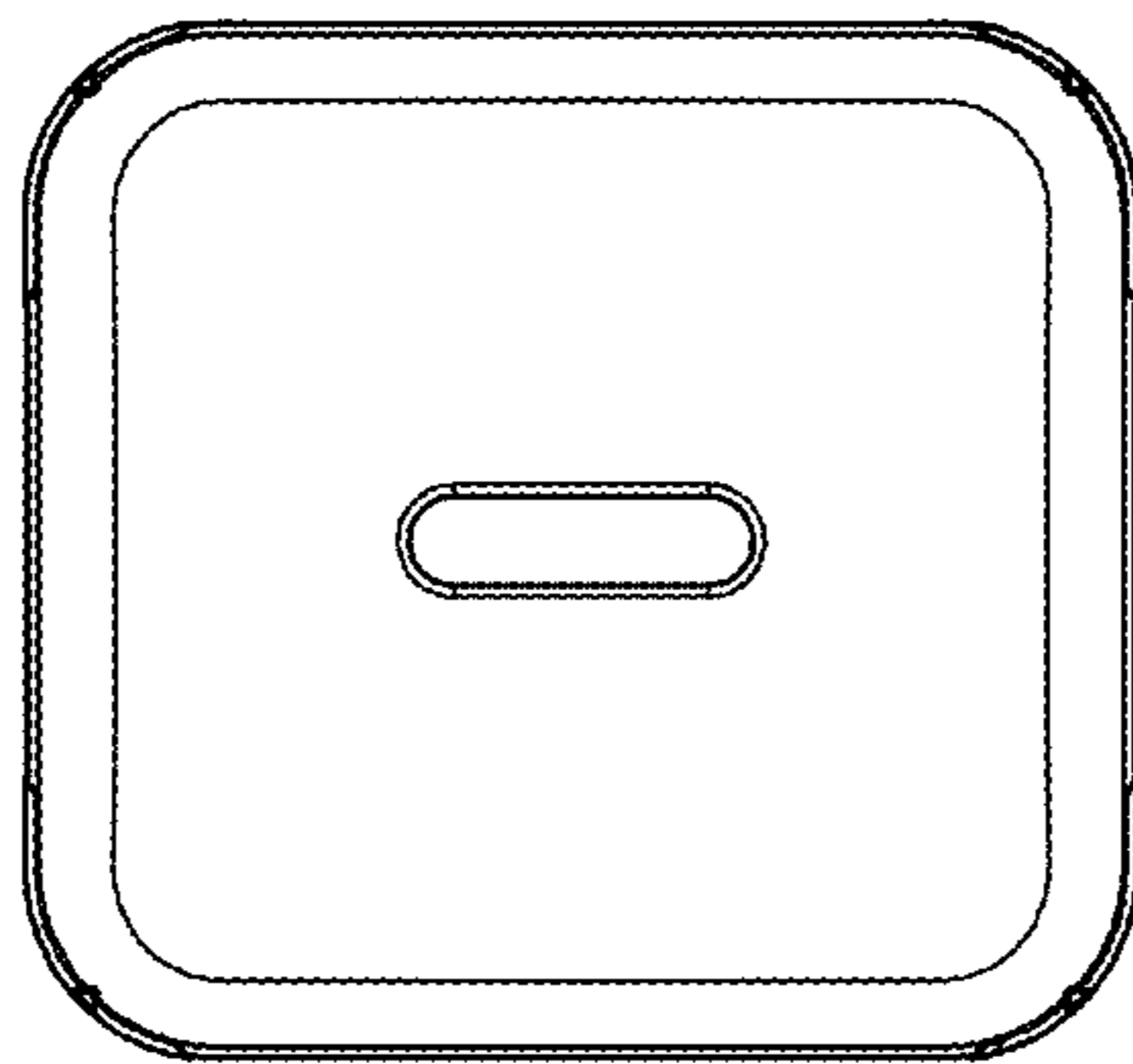


FIG. 27
TOP VIEW

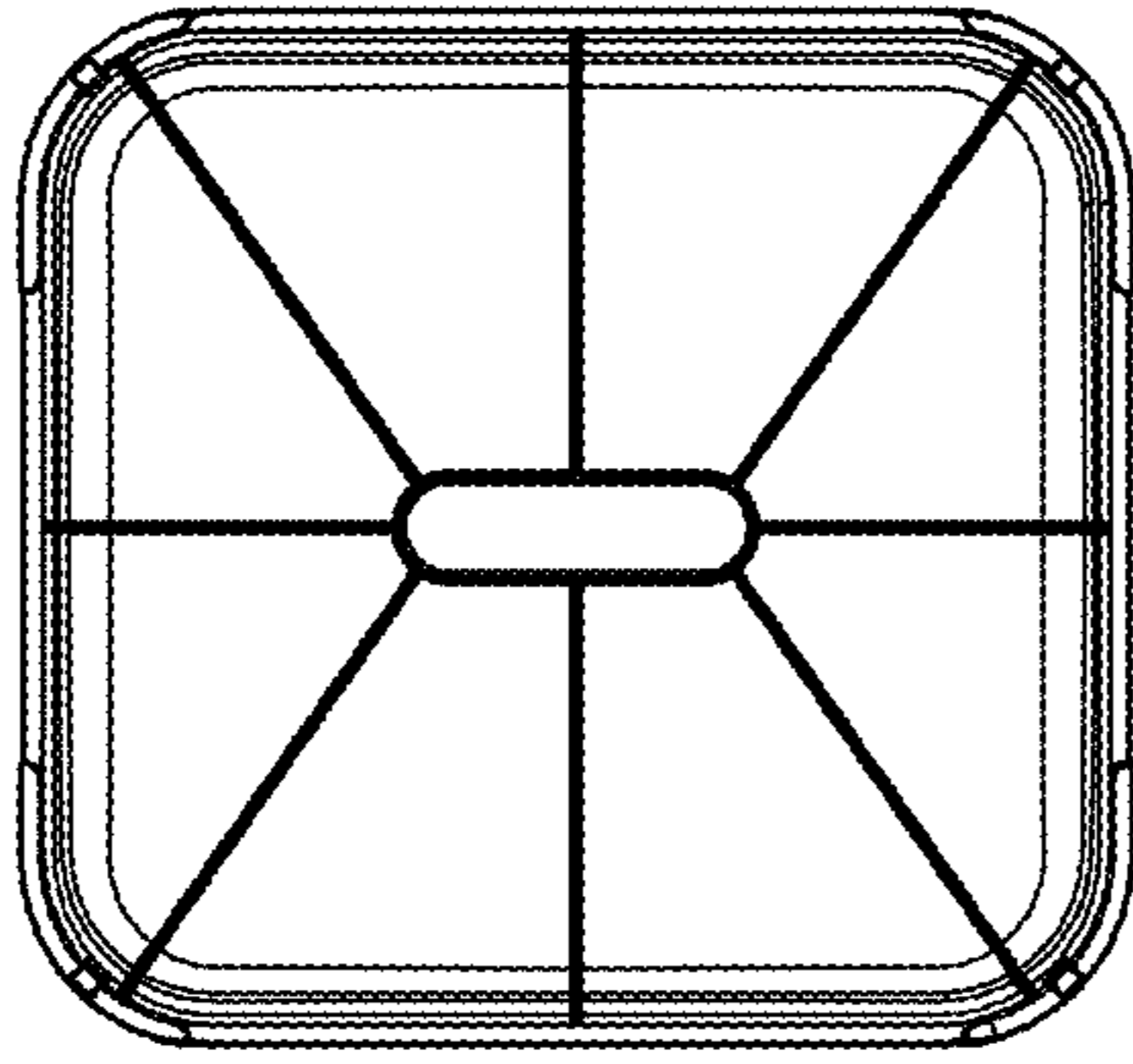


FIG. 28
BOTTOM VIEW

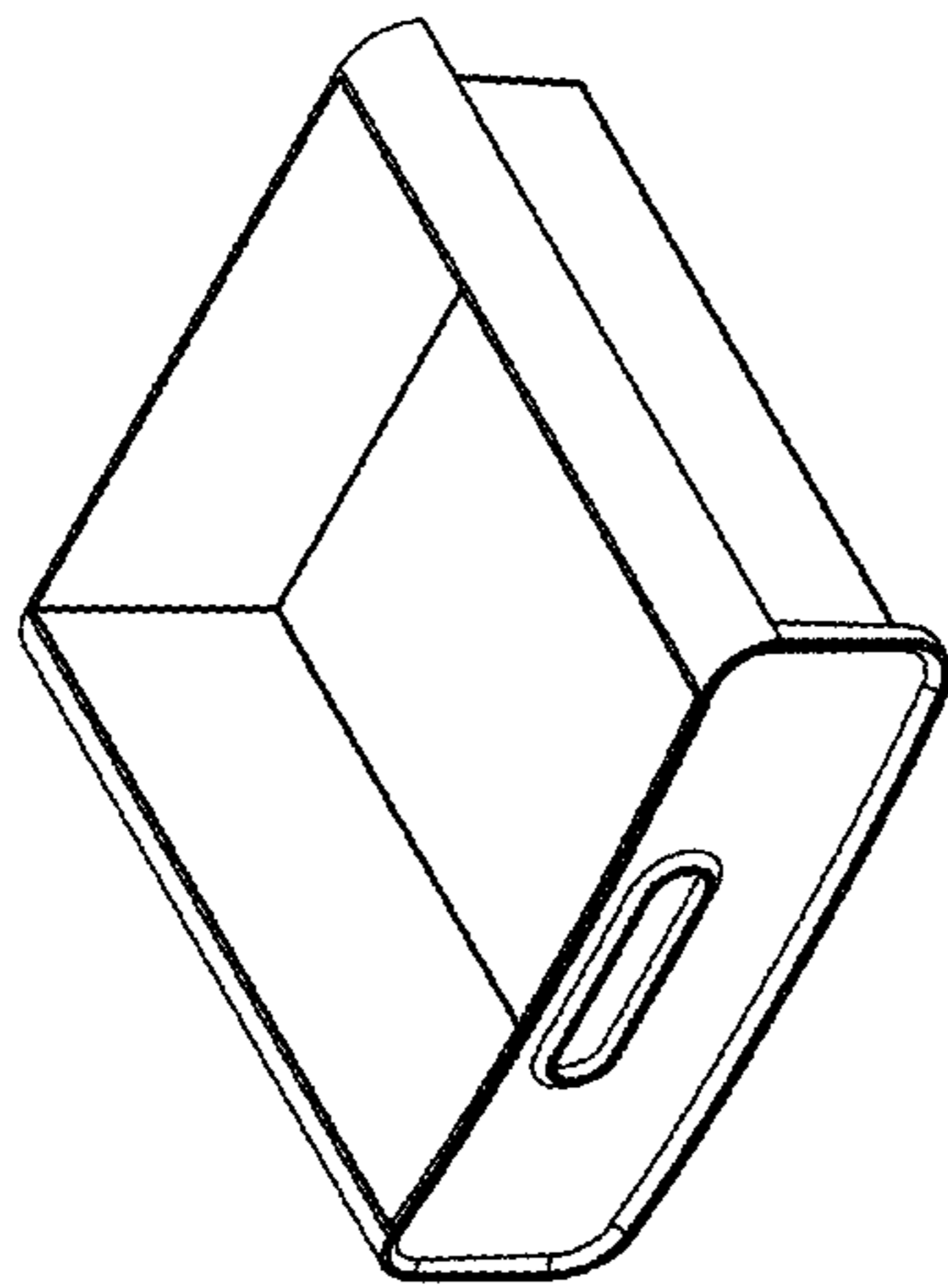


FIG. 29
PERSPECTIVE VIEW

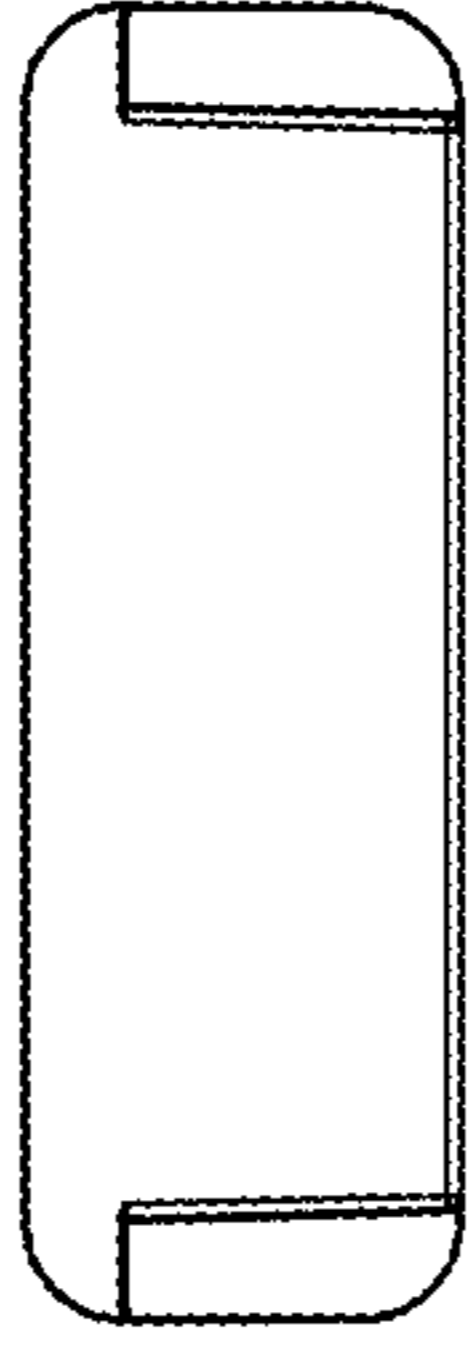


FIG. 31
REAR VIEW



FIG. 30
FRONT VIEW

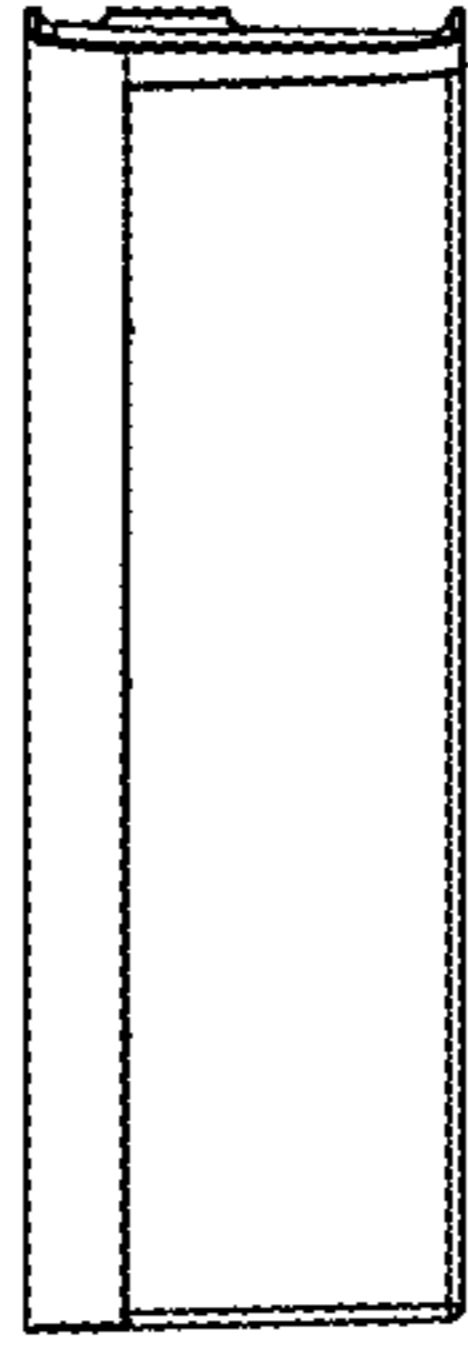


FIG. 33
SIDE VIEW

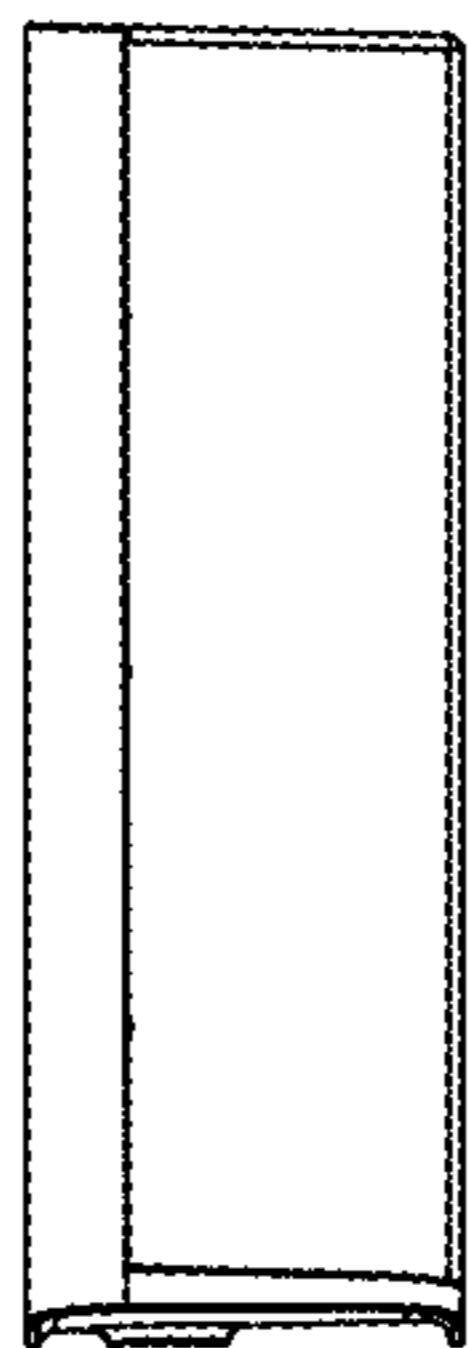


FIG. 32
SIDE VIEW

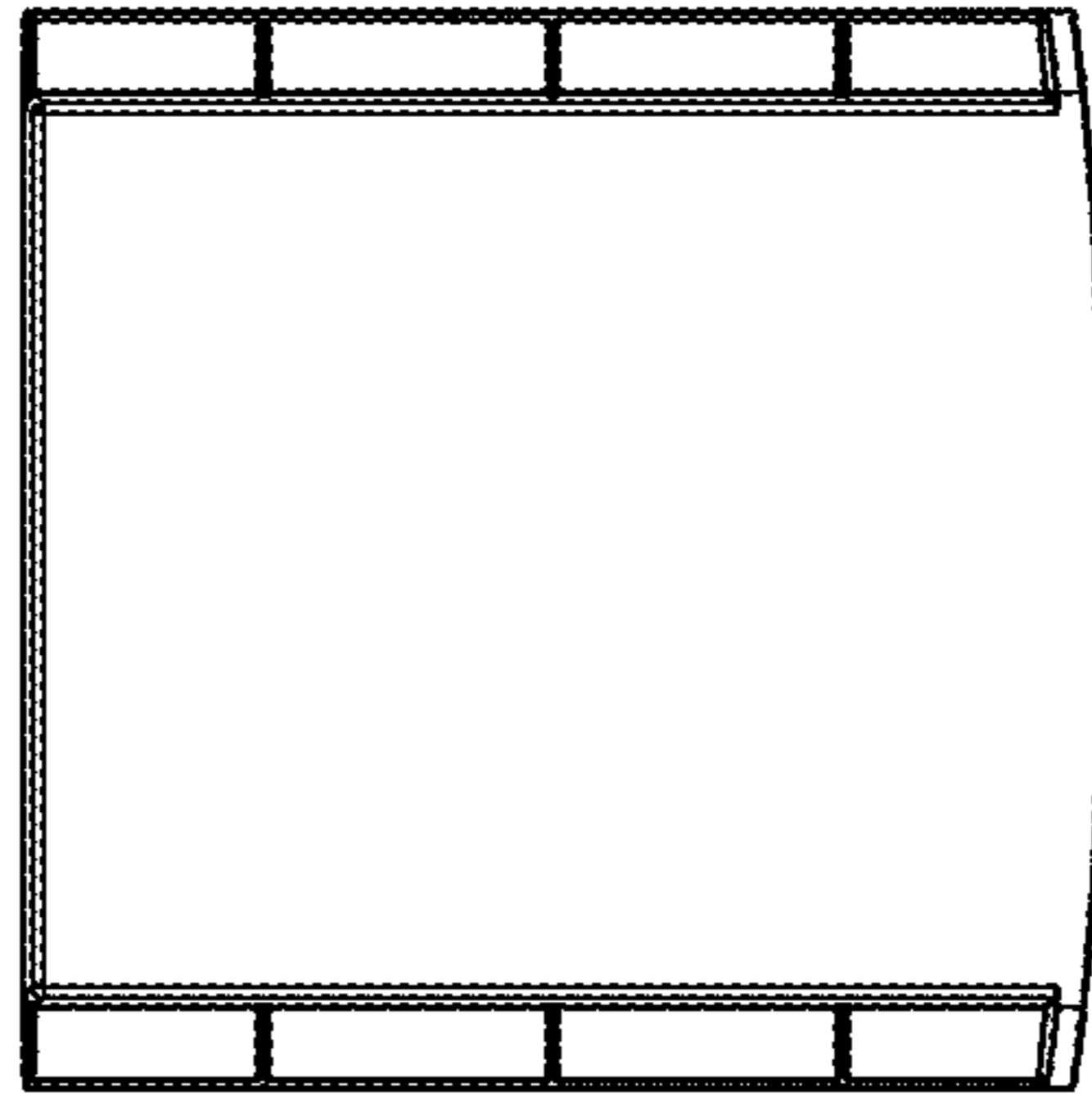


FIG. 35
BOTTOM VIEW

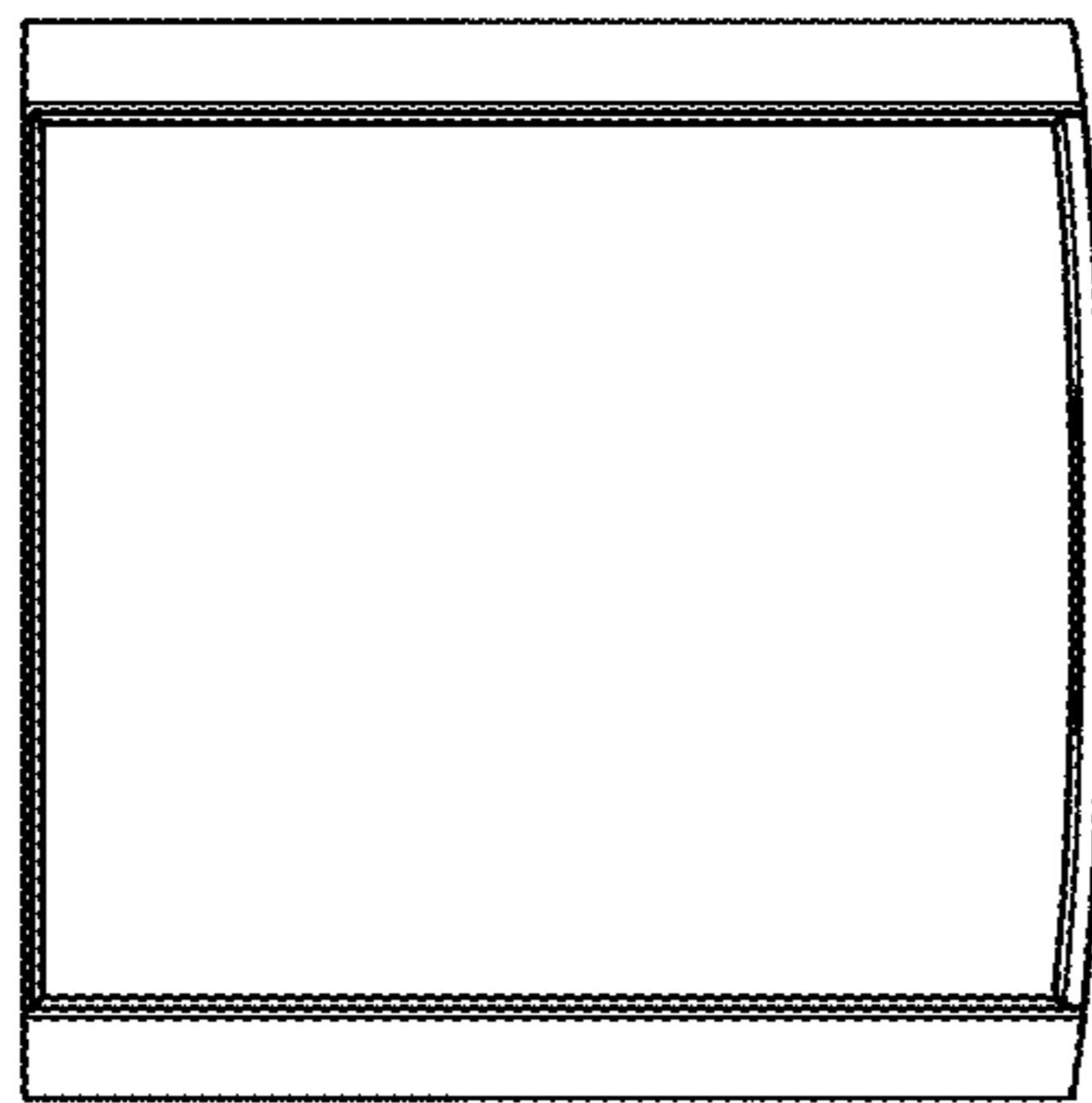


FIG. 34
TOP VIEW

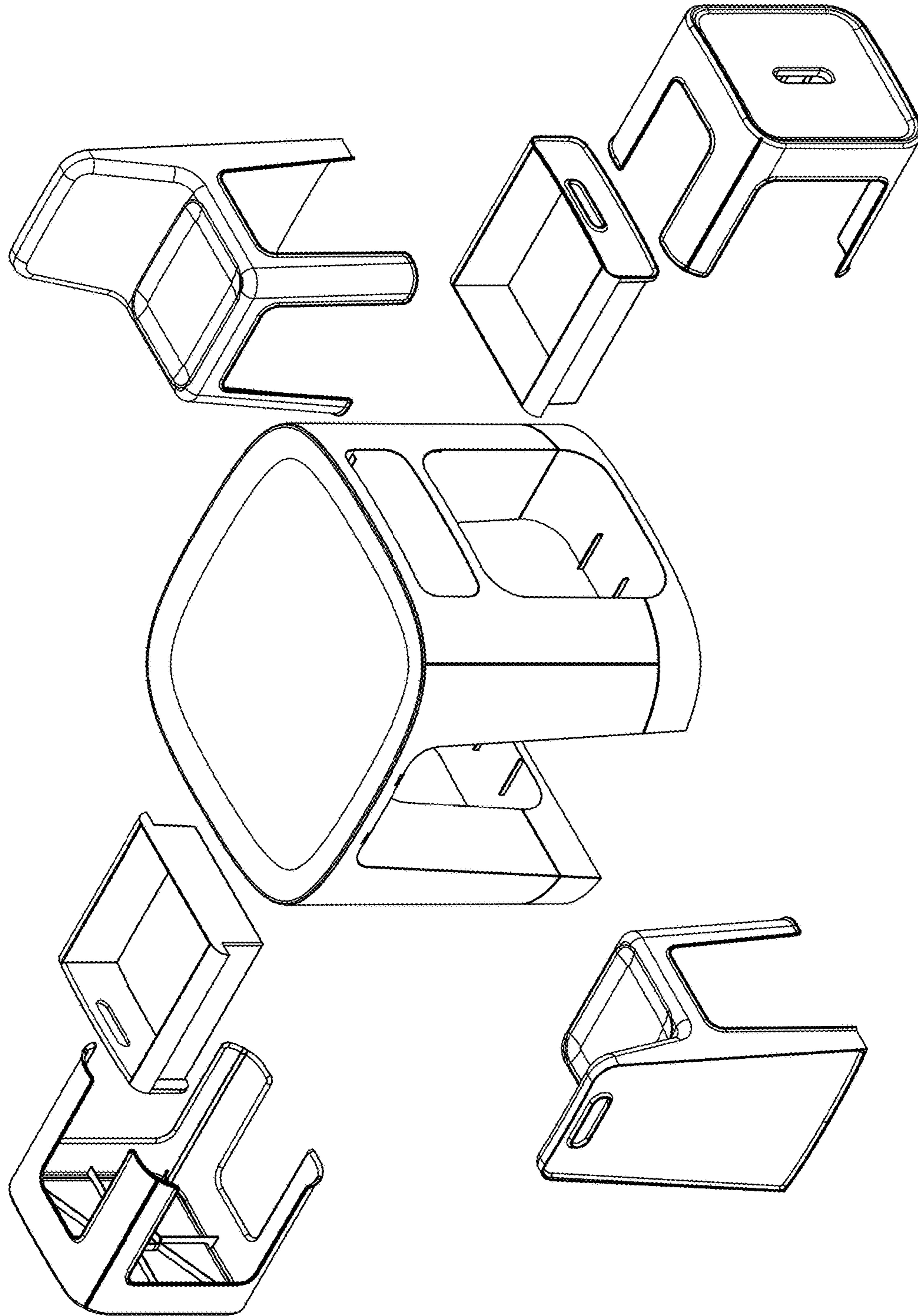


FIG. 36
PERSPECTIVE VIEW

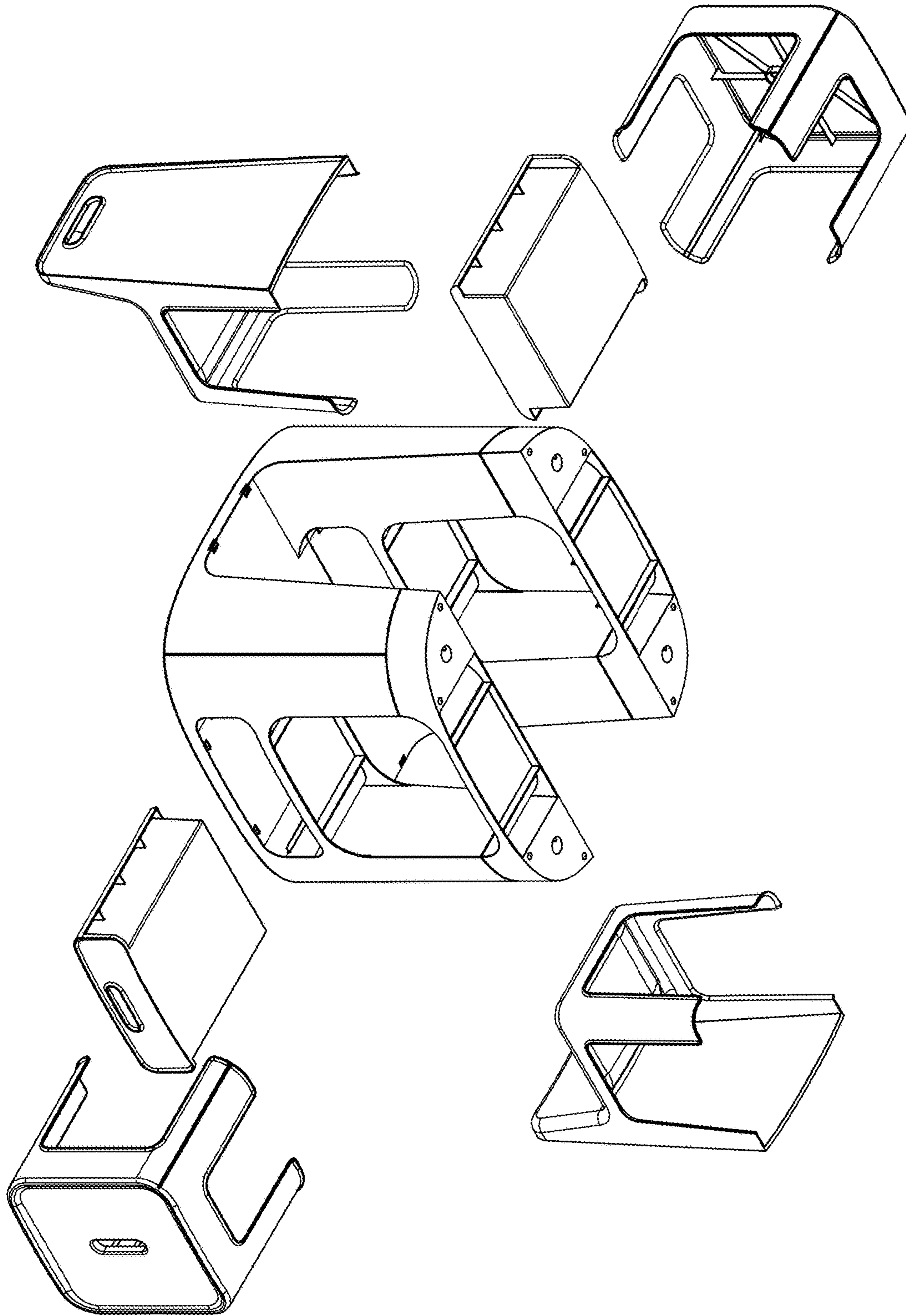


FIG. 37
PERSPECTIVE VIEW