



US00D794968S

(12) **United States Design Patent** (10) **Patent No.:** **US D794,968 S**  
**Pos** (45) **Date of Patent:** **\*\* Aug. 22, 2017**

(54) **CHILD SEAT**

(56) **References Cited**

(71) Applicant: **CYBEX GmbH**, Bayreuth (DE)

U.S. PATENT DOCUMENTS

(72) Inventor: **Martin Pos**, Bayreuth (DE)

D402,477 S	*	12/1998	Cone, II	.....	D6/333
D429,075 S	*	8/2000	Cone, II	.....	D6/333
D572,027 S	*	7/2008	Hui	.....	D6/333
D589,268 S	*	3/2009	Jane Stopp	.....	D6/333
D607,652 S	*	1/2010	Karremans	.....	D6/333
D621,171 S	*	8/2010	Xu	.....	D6/333
D637,824 S	*	5/2011	Daly	.....	D6/333
D683,974 S	*	6/2013	Leys	.....	D6/333
D695,533 S	*	12/2013	Jane Santamaria	.....	D6/333
D744,248 S	*	12/2015	Pos	.....	D6/333
D746,070 S	*	12/2015	Pos	.....	D6/333
D764,817 S	*	8/2016	Pos	.....	D6/333

(73) Assignee: **CYBEX GMBH**, Bayreuth (DE)

(\*\*) Term: **14 Years**

(21) Appl. No.: **29/514,257**

(22) Filed: **Jan. 9, 2015**

**Related U.S. Application Data**

(63) Continuation-in-part of application No. 29/514,144, filed on Jan. 8, 2015.

\* cited by examiner

*Primary Examiner* — Abraham T Bahta

(30) **Foreign Application Priority Data**

(74) *Attorney, Agent, or Firm* — Boyle Fredrickson, S.C.

Jul. 10, 2014 (EP) ..... 2500645

(51) **LOC (10) Cl.** ..... **06-01**

(57) **CLAIM**

(52) **U.S. Cl.**  
USPC ..... **D6/333**

The ornamental design for a child seat, as shown and described.

(58) **Field of Classification Search**

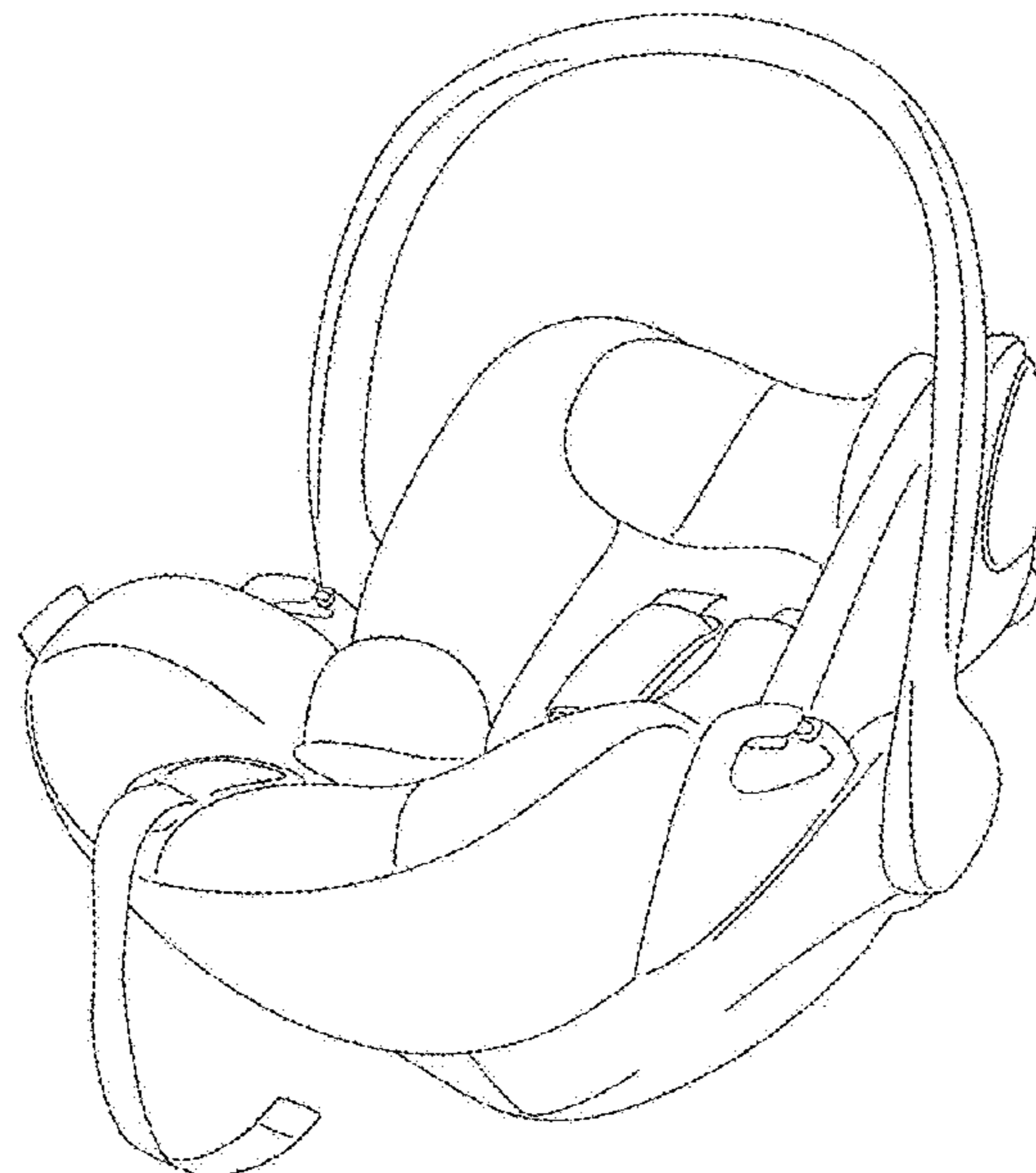
**DESCRIPTION**

USPC ..... D6/333-336, 339, 344, 702, 716,  
D6/716.1-716.7; 297/183.1-183.4,  
297/184.13, 184.15, 184.17, 250.1, 255,  
297/256.1, 256.15, 219.12, 463.1;  
D12/129-130, 133; D21/412, 428, 419;  
280/30-31; 5/94, 98.1, 99.1, 101-102,  
5/105, 655, 93.1, 12.1; 24/200  
CPC . B60N 2/00; B60N 2/005; B60N 2/24; B60N  
2/015; B60N 2/42; B60N 2/26; A47C  
13/00; A47C 4/54; A47C 4/00; A47C  
4/02; A47D 1/00; A47D 1/006; A47D  
1/06; A47D 1/002; A47D 1/004

FIG. 1 is a perspective view of a child seal showing my new design; and  
FIG. 2 is a first side elevational view thereof;  
FIG. 3 is a second side elevational view thereof;  
FIG. 4 is a first end view thereof;  
FIG. 5 is a second end view thereof;  
FIG. 6 is a top plan view thereof; and,  
FIG. 7 is a bottom plan view thereof.

See application file for complete search history.

**1 Claim, 7 Drawing Sheets**



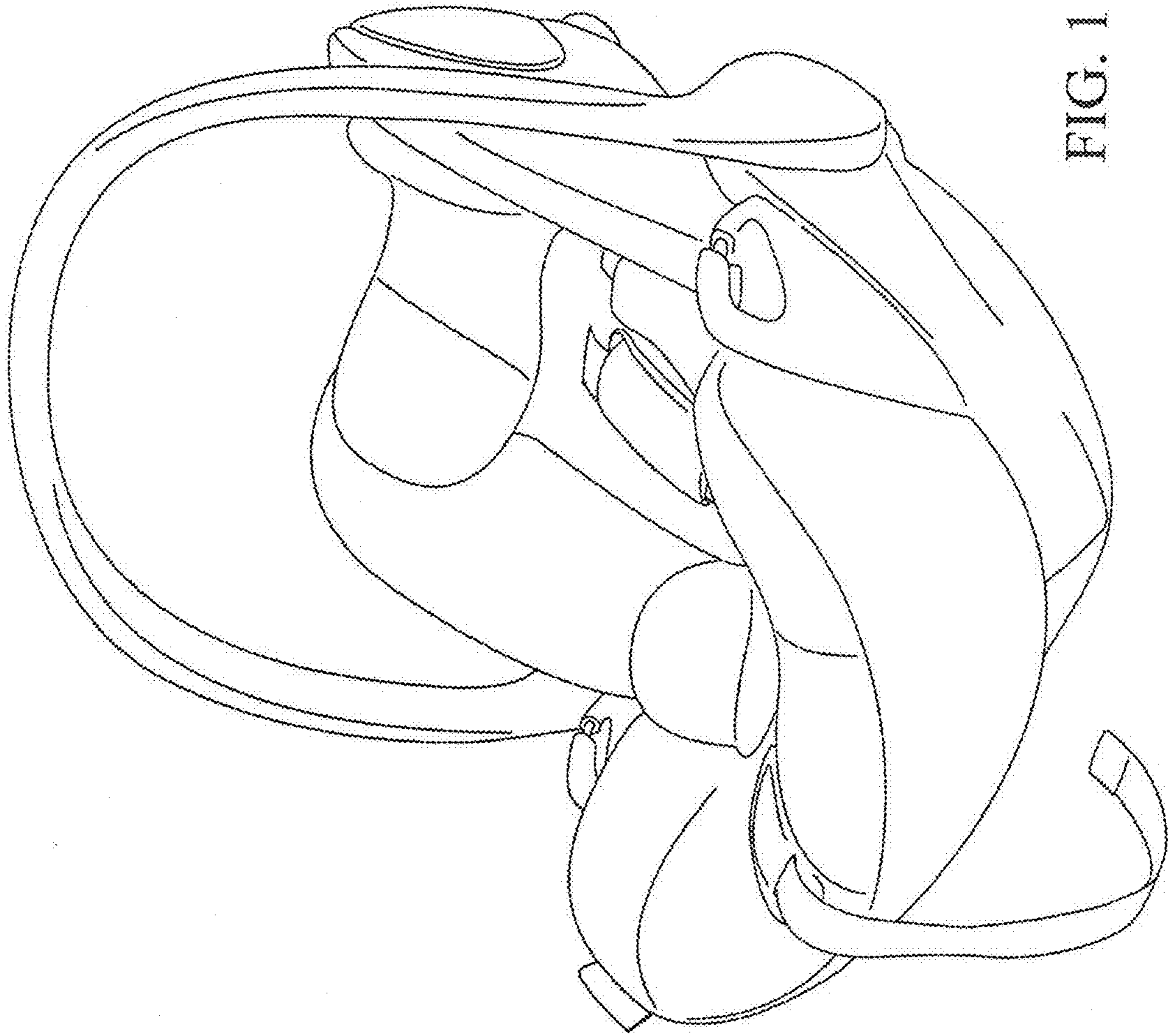


FIG. 1

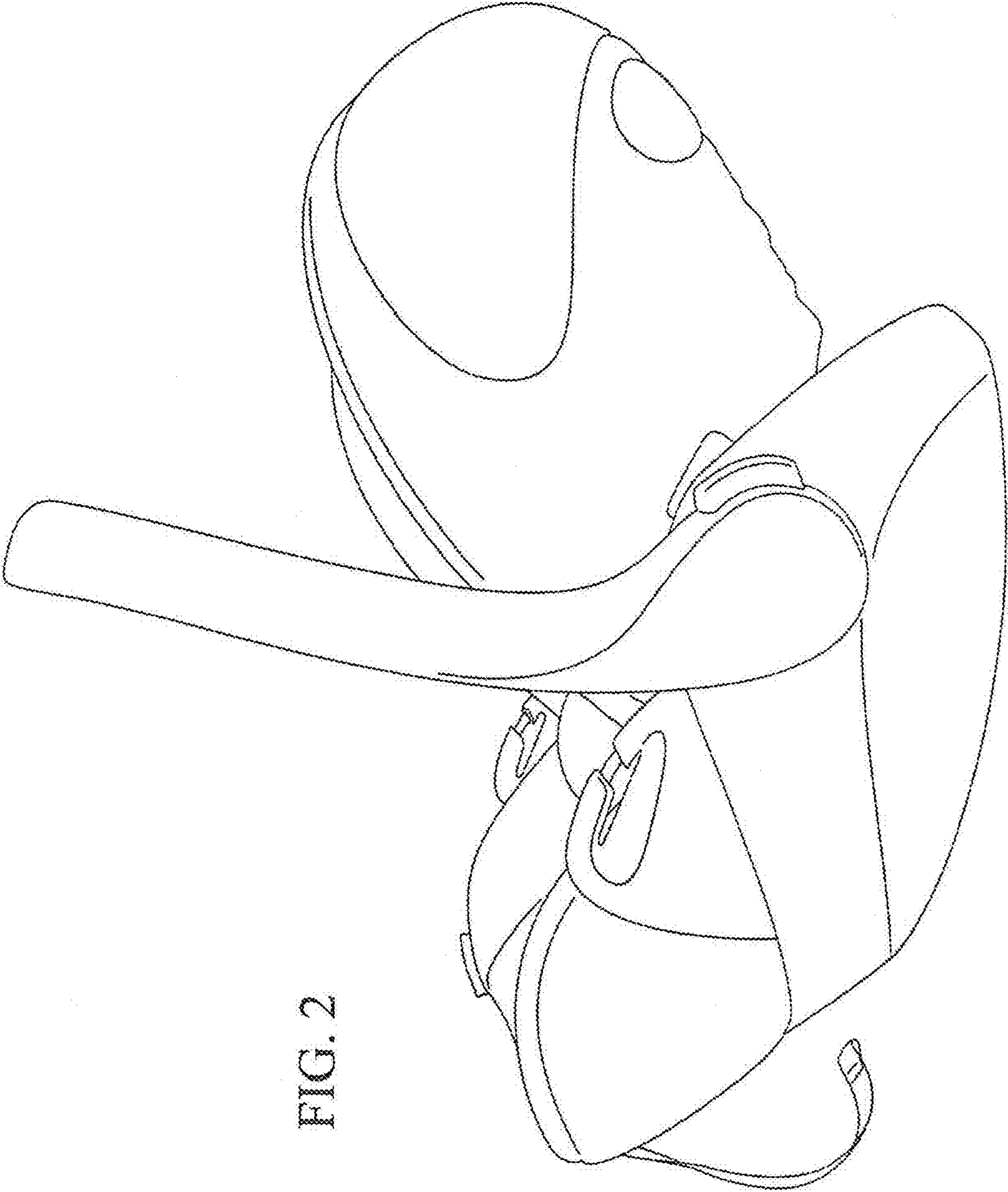
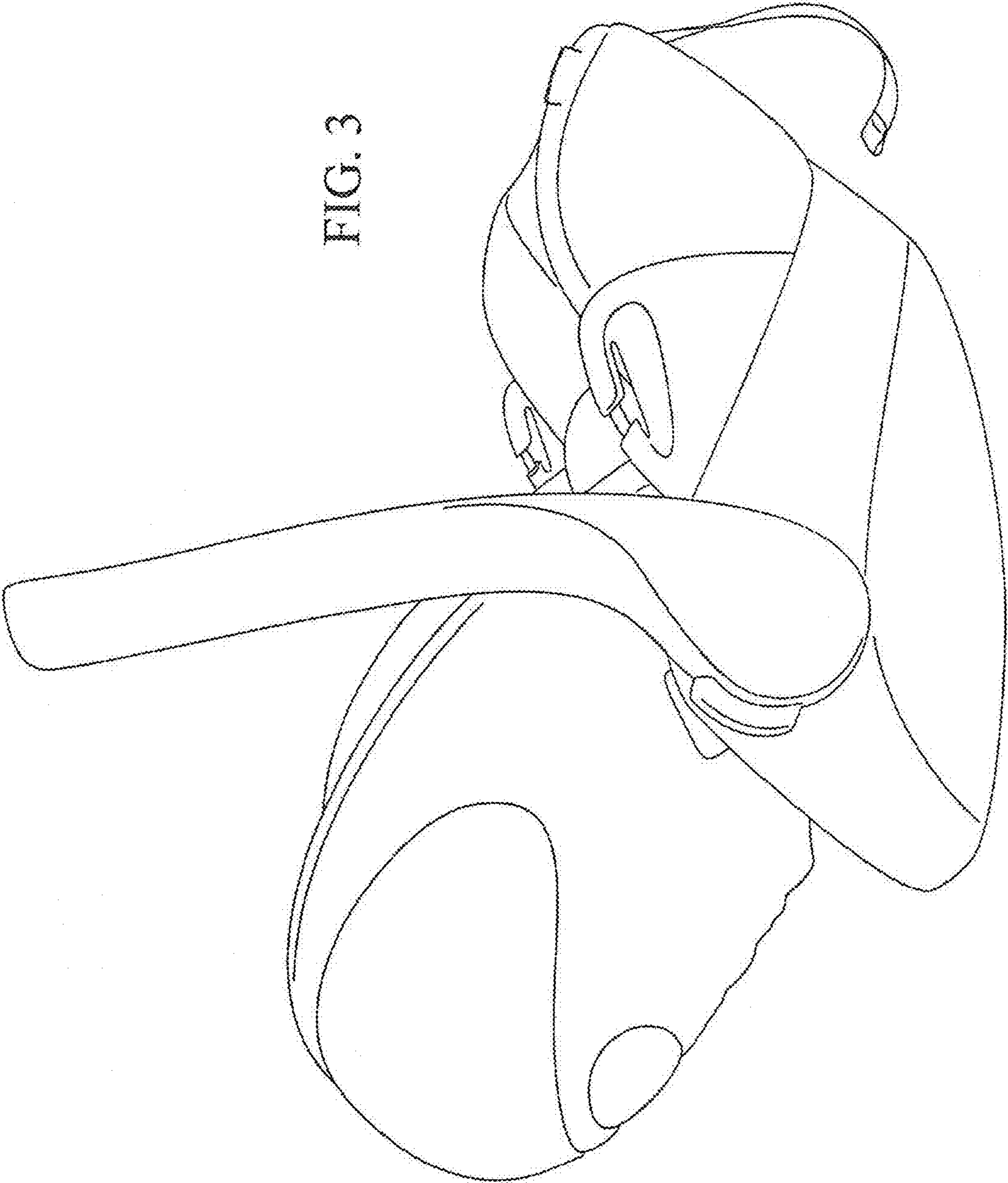


FIG. 2

FIG. 3





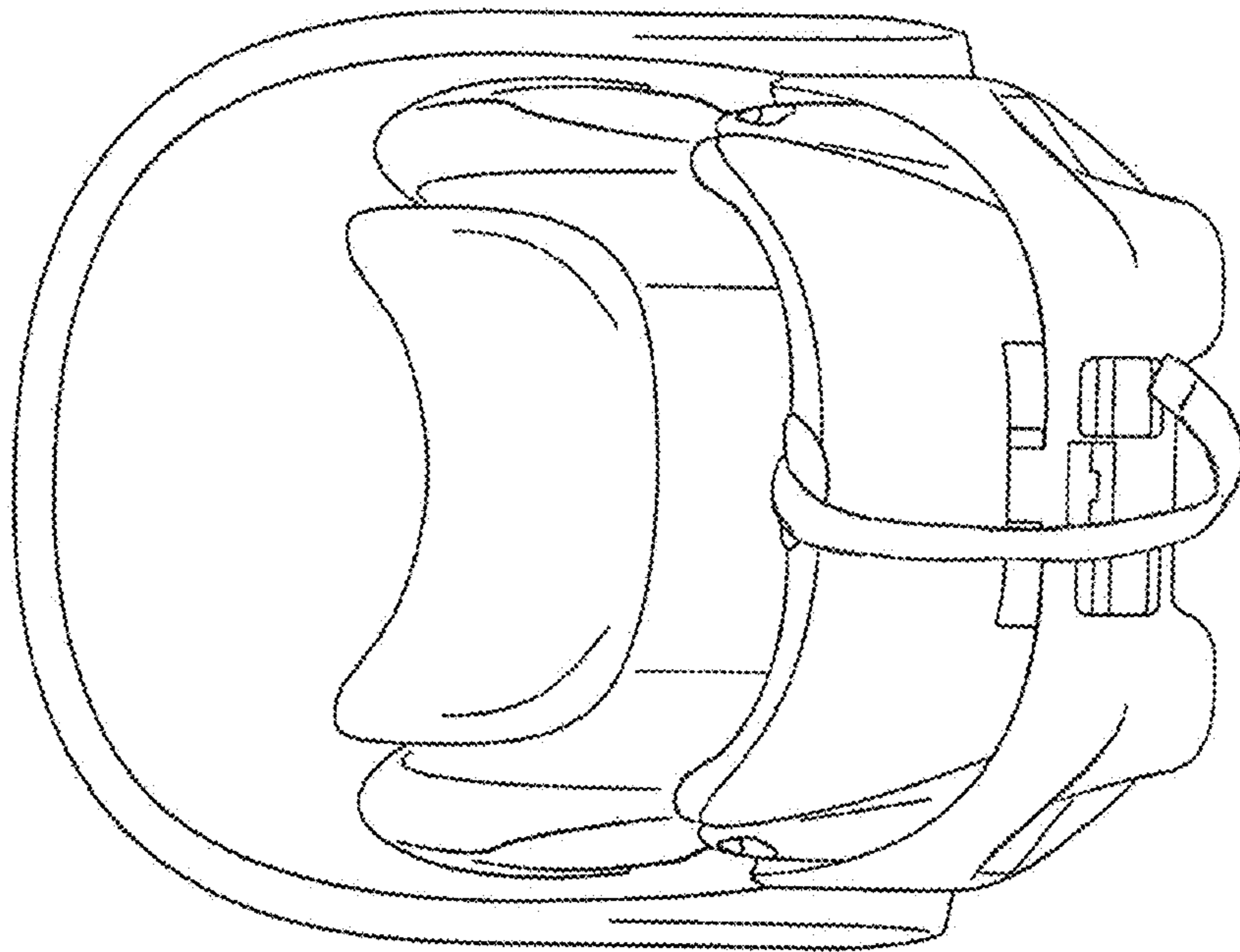


FIG. 4

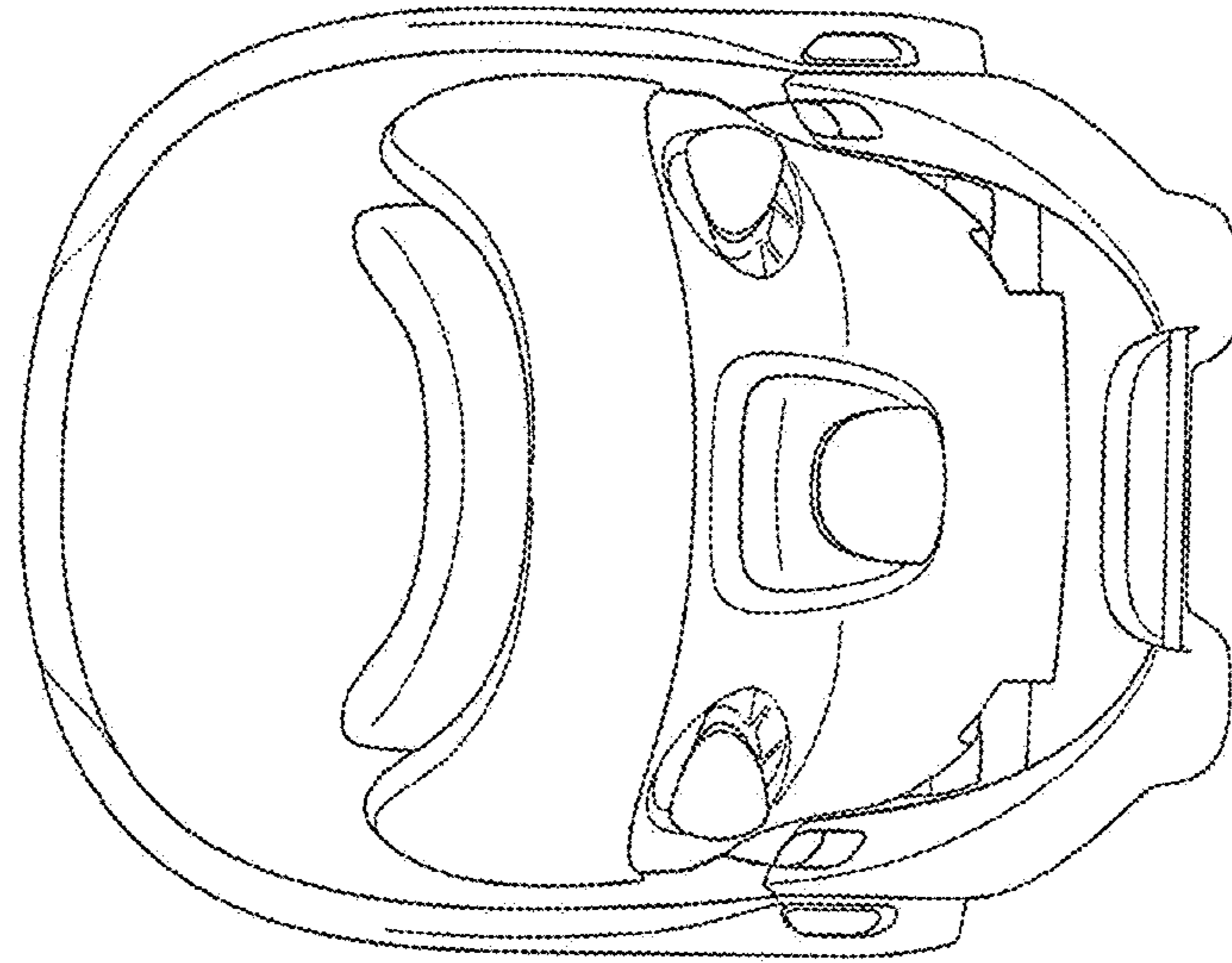


FIG. 5

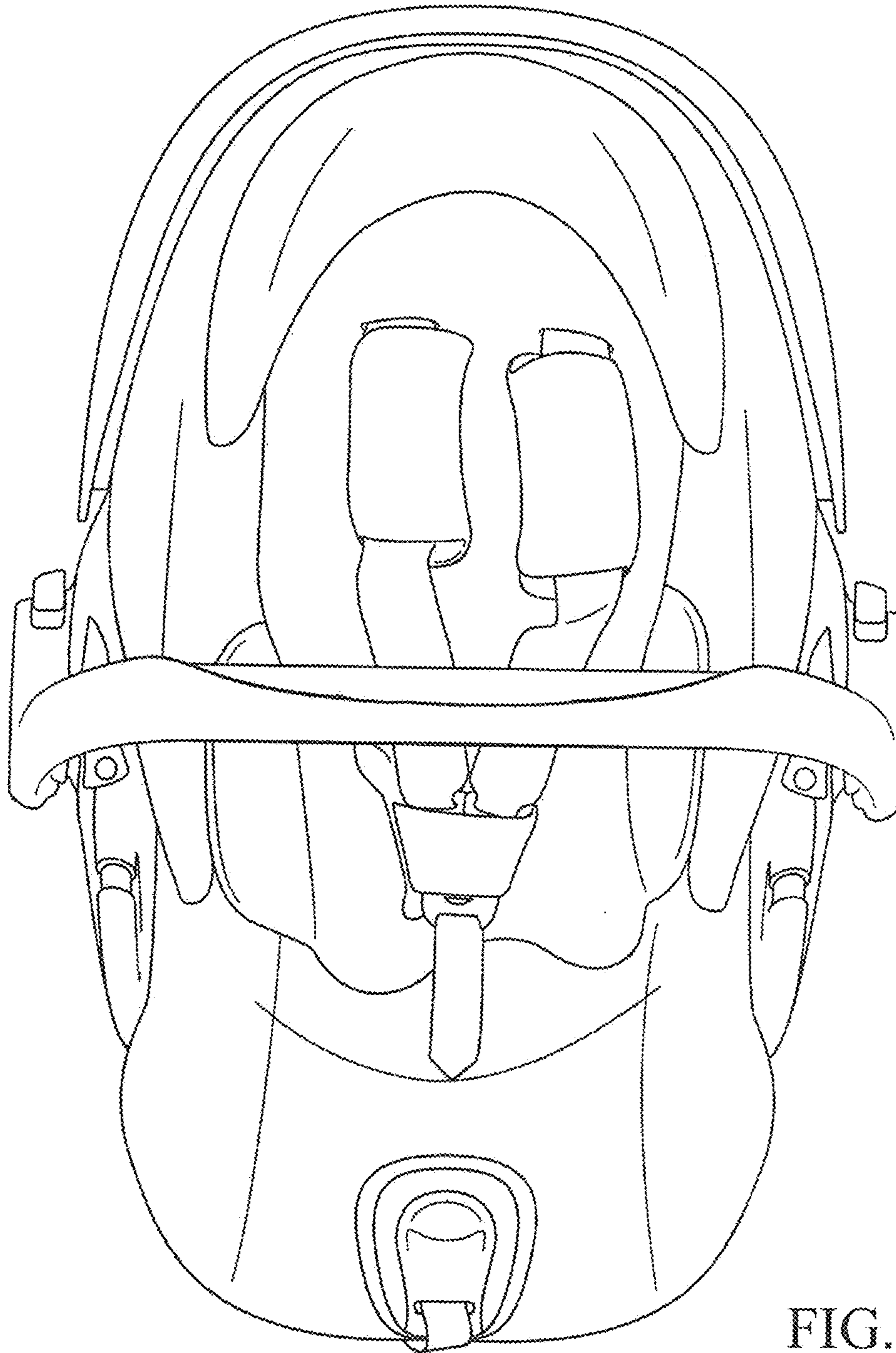


FIG. 6

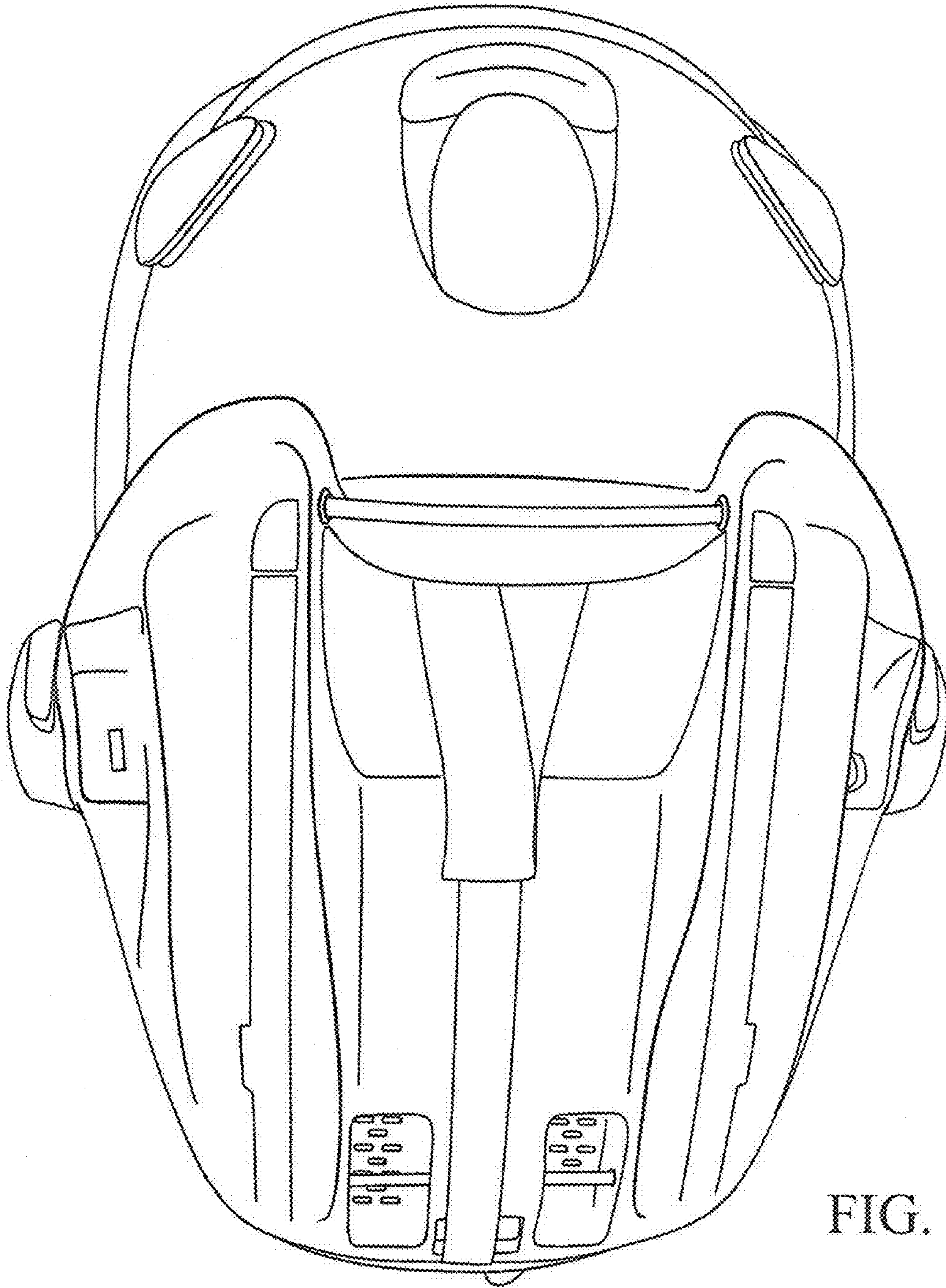


FIG. 7