



US00D794966S

(12) **United States Design Patent** (10) **Patent No.:** **US D794,966 S**
Salm (45) **Date of Patent:** **** Aug. 22, 2017**

- (54) **COSMETICS BRUSH**
- (71) Applicant: **Paris Presents Incorporated**, Gurnee, IL (US)
- (72) Inventor: **Jaime Salm**, Philadelphia, PA (US)
- (73) Assignee: **Paris Presents Incorporated**, Gurnee, IL (US)
- (**) Term: **15 Years**
- (21) Appl. No.: **29/553,050**
- (22) Filed: **Jan. 28, 2016**
- (51) **LOC (10) Cl.** **04-02**
- (52) **U.S. Cl.**
USPC **D4/138**
- (58) **Field of Classification Search**
USPC D4/116, 127, 130, 132, 133, 135, 138;
D7/395; D19/168, 927; D24/119, 113;
D28/7, 63; D32/49, 81; 15/106, 143.1,
15/159.1, 187
CPC A45D 34/00; A45D 40/262; A46B 1/00;
A46B 5/00; A46B 5/0033; A46B 5/0062;
A46B 5/0095; A46B 5/02; A46B 9/021;
A46B 2200/1046; A46B 2200/1033;
A46B 2200/20; A46B 2200/202; A46B
2200/205
See application file for complete search history.

(56) **References Cited**

U.S. PATENT DOCUMENTS

- 376,540 A * 1/1888 McQuide A46B 5/02
15/143.1
- D155,043 S * 8/1949 Serra D9/504
- 3,276,062 A * 10/1966 Palumbo B01L 99/00
15/104.94
- D419,719 S * 1/2000 Garcia D28/7

- D458,761 S * 6/2002 Mason D4/135
- D530,567 S * 10/2006 Timm D7/395
- 7,565,714 B2 * 7/2009 Gueret A45D 34/045
15/143.1
- D664,251 S * 7/2012 Ruiz, Sr. D24/133
- 8,230,543 B2 * 7/2012 Shrier A46B 7/04
15/145
- 8,671,499 B2 * 3/2014 Lim A46B 5/005
132/120
- D732,888 S * 6/2015 Rose D7/395
- 2016/0262528 A1 * 9/2016 Telwar A46B 3/10
- 2016/0324306 A1 * 11/2016 Martin A46B 13/02

FOREIGN PATENT DOCUMENTS

- CN 201630350814 * 2/2017
- EM 003316561-0001 * 9/2016

* cited by examiner

Primary Examiner — Karen E. Eldridge Powers
Assistant Examiner — Jasmine Mlinarcik
(74) *Attorney, Agent, or Firm* — The Ollila Law Group, LLC

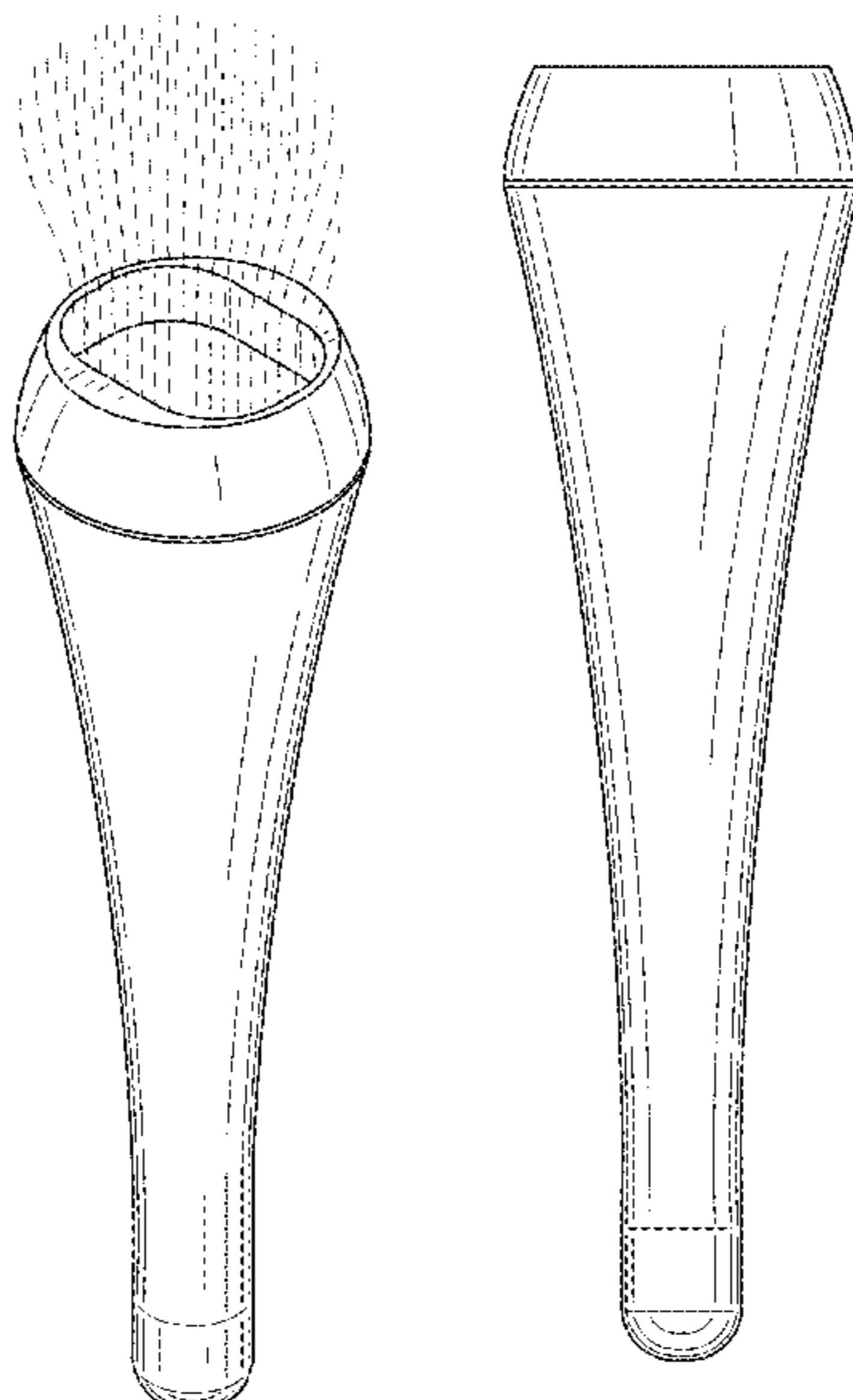
(57) **CLAIM**

The ornamental design for a cosmetics brush, substantially as shown and described.

DESCRIPTION

FIG. 1 is a perspective view of a cosmetics brush showing my new design.
FIG. 2 is a front elevation view thereof, the rear being a mirror image;
FIG. 3 is a right side elevation view thereof, the left side being a mirror image;
FIG. 4 is a top plan view thereof; and,
FIG. 5 is a bottom plan view thereof.
Broken lines of FIG. 1 illustrate portions of the cosmetics brush that form no part of the claimed invention.

1 Claim, 3 Drawing Sheets



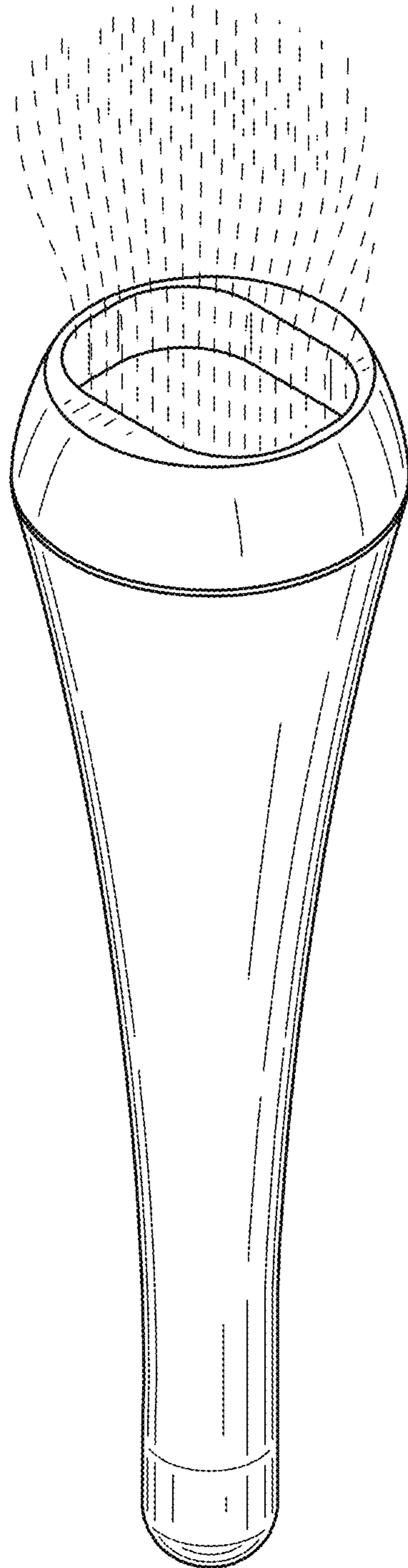


FIG.1

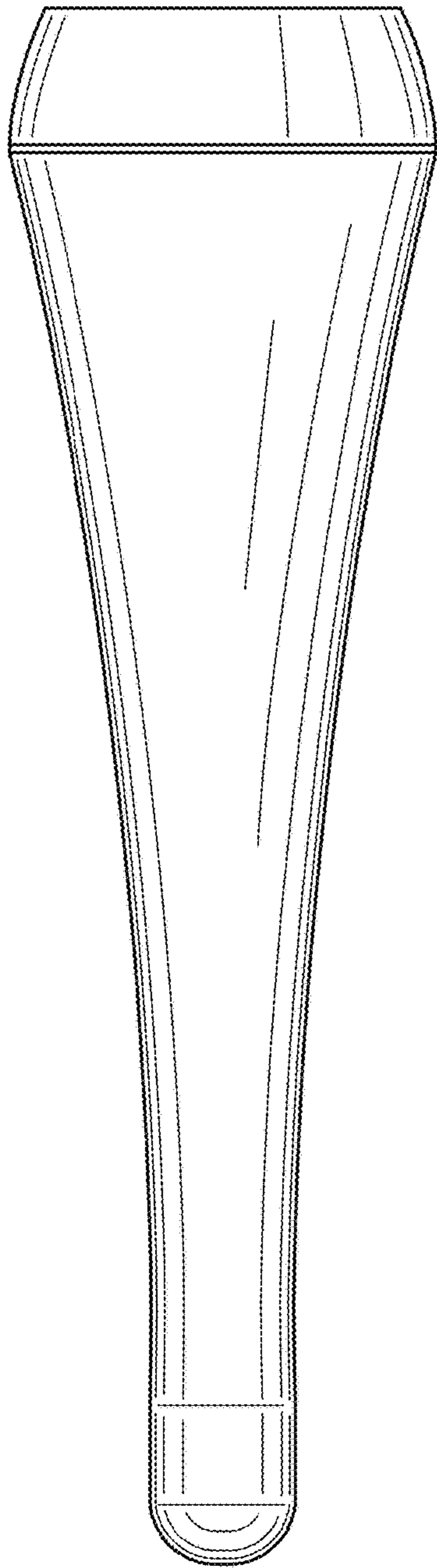


FIG. 2

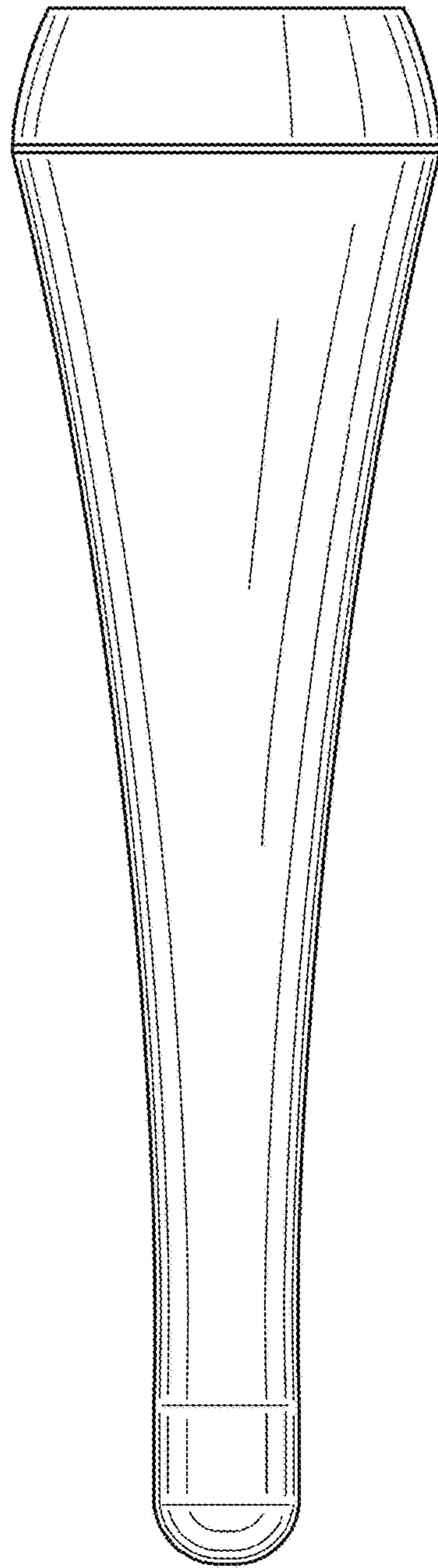


FIG. 3

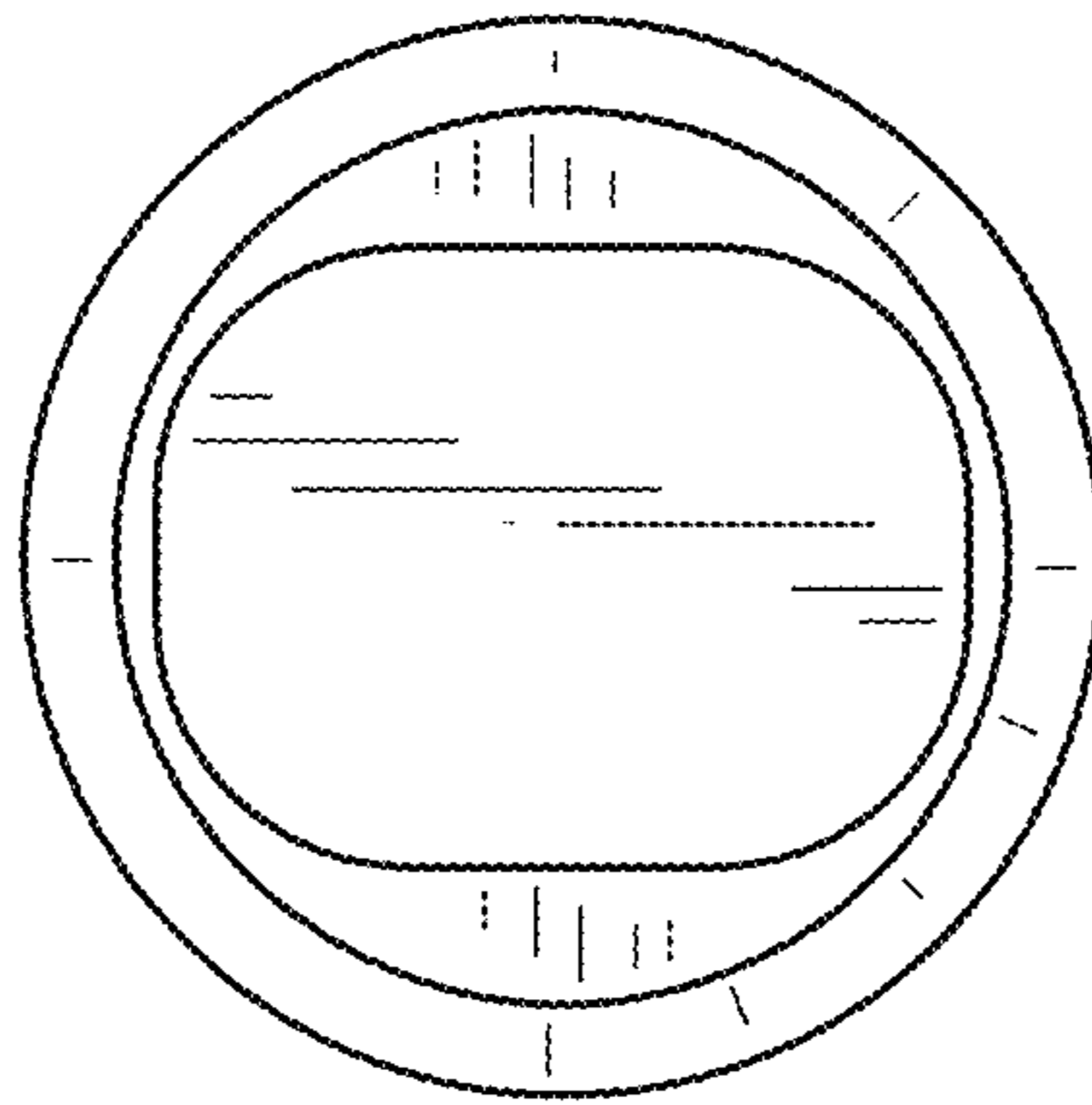


FIG.4

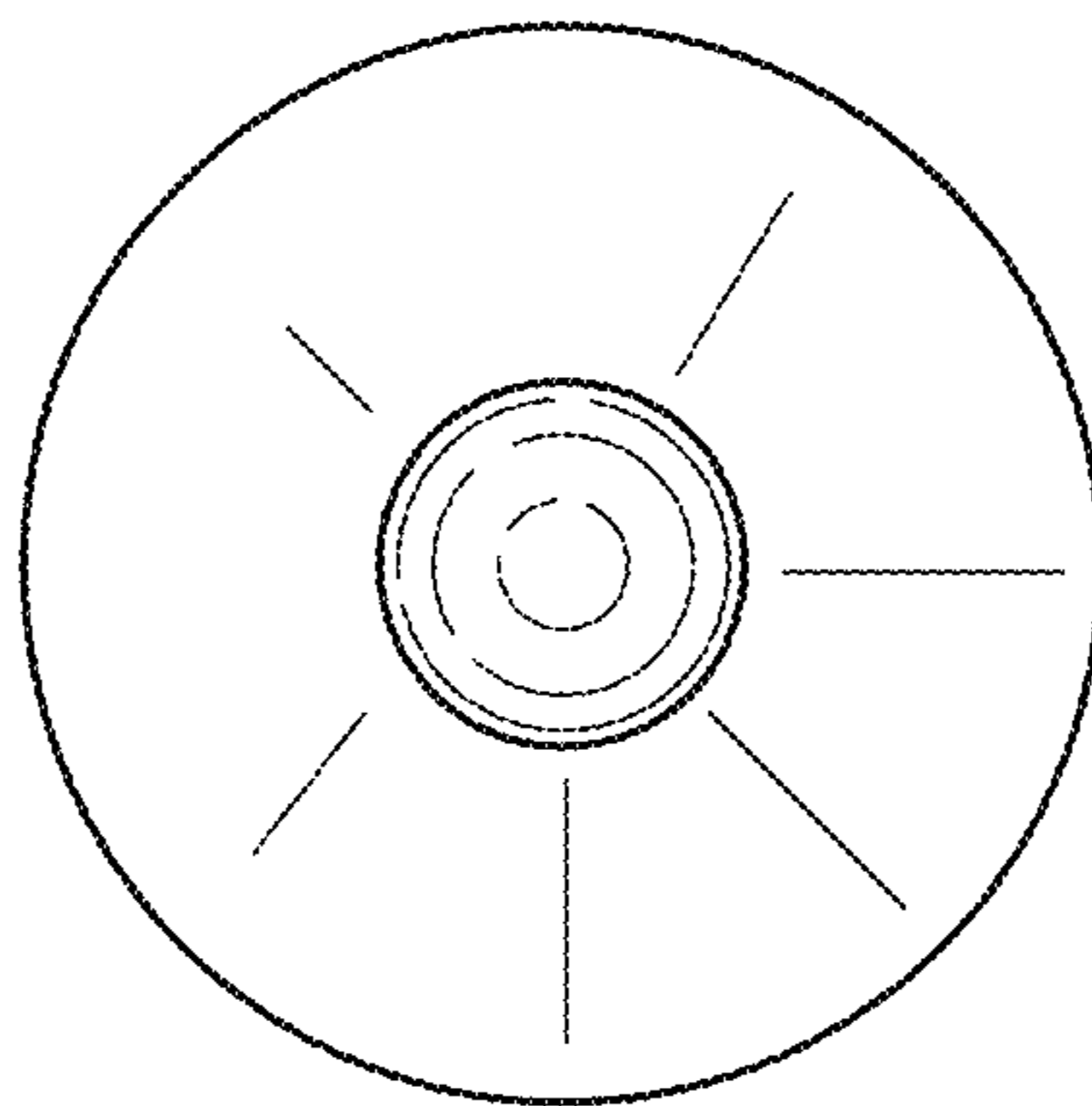


FIG.5