



US00D794961S

(12) **United States Design Patent** (10) **Patent No.:** **US D794,961 S**  
**Ghiorghie** (45) **Date of Patent:** **\*\* Aug. 22, 2017**

- (54) **BIN**
- (71) Applicant: **InterDesign, Inc.**, Solon, OH (US)
- (72) Inventor: **Radu Alexandru Ghiorghie**, Copley, OH (US)
- (73) Assignee: **INTERDESIGN, INC.**, Solon, OH (US)
- (\*\*) Term: **15 Years**
- (21) Appl. No.: **29/584,665**
- (22) Filed: **Nov. 16, 2016**

- D310,896 S \* 9/1990 Winjum ..... D3/313
- D380,299 S \* 7/1997 Schlaeger ..... D3/310
- D387,559 S \* 12/1997 Williamson ..... D3/313
- 6,039,205 A \* 3/2000 Flink ..... B65D 1/38  
206/520
- D422,788 S \* 4/2000 Carr ..... D3/307
- D472,711 S \* 4/2003 Chen ..... D3/313
- D512,836 S \* 12/2005 Marnell, II ..... D3/313
- D563,673 S \* 3/2008 Dretzka ..... D3/304
- D605,896 S \* 12/2009 Zalewski ..... D7/553.1
- D688,572 S \* 8/2013 Marin ..... D9/425
- D688,870 S \* 9/2013 Levie ..... D3/311
- D697,764 S \* 1/2014 Carlson ..... D7/602

(Continued)

**Related U.S. Application Data**

- (63) Continuation of application No. 29/546,621, filed on Nov. 24, 2015, which is a continuation of application No. 29/423,096, filed on May 29, 2012, now Pat. No. Des. 746,643.
- (51) **LOC (10) Cl.** ..... **03-01**
- (52) **U.S. Cl.**  
USPC ..... **D3/313**
- (58) **Field of Classification Search**  
USPC ..... D3/304, 307, 308, 310, 311, 313, 314,  
D3/315; D6/672, 673, 675, 683, 683.1;  
D7/601, 602  
CPC ... B65D 1/00; B65D 1/22; B65D 1/24; B65D  
2501/24  
See application file for complete search history.

**References Cited**

**U.S. PATENT DOCUMENTS**

- 3,625,393 A \* 12/1971 Mittel ..... B65D 1/225  
206/173
- 3,887,103 A \* 6/1975 Spooner ..... B65D 71/0003  
206/203
- 4,328,902 A \* 5/1982 North ..... B65D 21/0204  
220/23.4
- D298,079 S \* 10/1988 Chatham ..... D3/308

**OTHER PUBLICATIONS**

Images of 51150 Rain Cosmetic Organizer, which is sold prior to May 29, 2012 (sold prior to the filing date of the parent U.S. Appl. No. 29/423,096).

*Primary Examiner* — Kelley Donnelly  
(74) *Attorney, Agent, or Firm* — Calfee, Halter & Griswold LLP

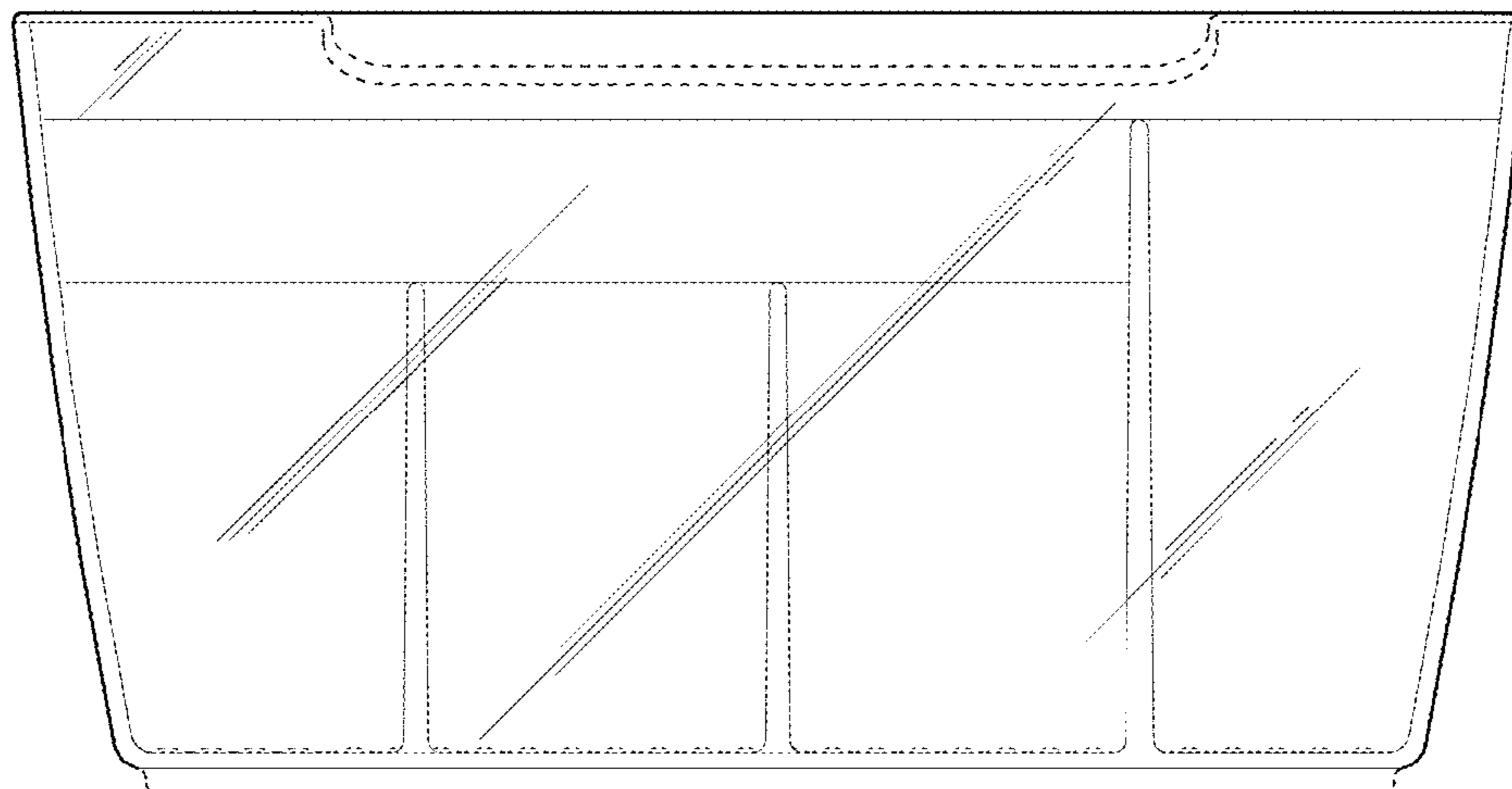
(57) **CLAIM**

I claim the ornamental design for a bin, as shown and described.

**DESCRIPTION**

FIG. 1 is a front elevational view of a bin;  
FIG. 2 is a rear elevational view thereof;  
FIG. 3 is a right side elevational view thereof;  
FIG. 4 is a left side elevational view thereof;  
FIG. 5 is a top plan view thereof; and,  
FIG. 6 is a bottom plan view thereof.  
The dash-dot lines represent the bounds of the claimed design, while all other broken lines are directed to environment; the dash-dot lines and other broken lines in the Figures are for illustrative, environmental purposes only and form no part of the claimed design.

**1 Claim, 4 Drawing Sheets**



(56)

**References Cited**

U.S. PATENT DOCUMENTS

D708,852 S \* 7/2014 Ghiorgie ..... D3/310  
D746,594 S \* 1/2016 Ghiorgie ..... D3/313  
D772,058 S \* 11/2016 Urushidani ..... D7/602

\* cited by examiner

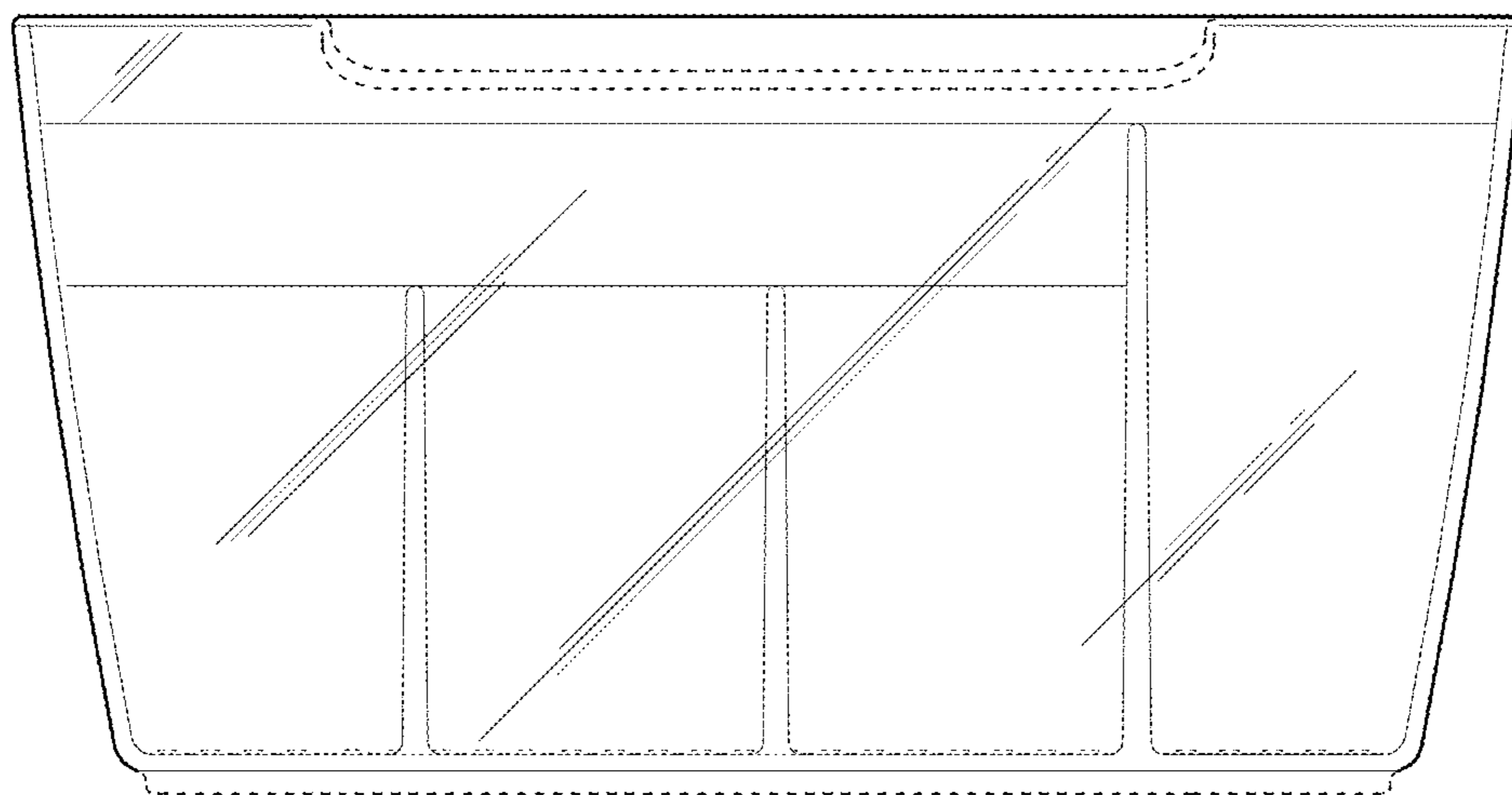


FIG. 1

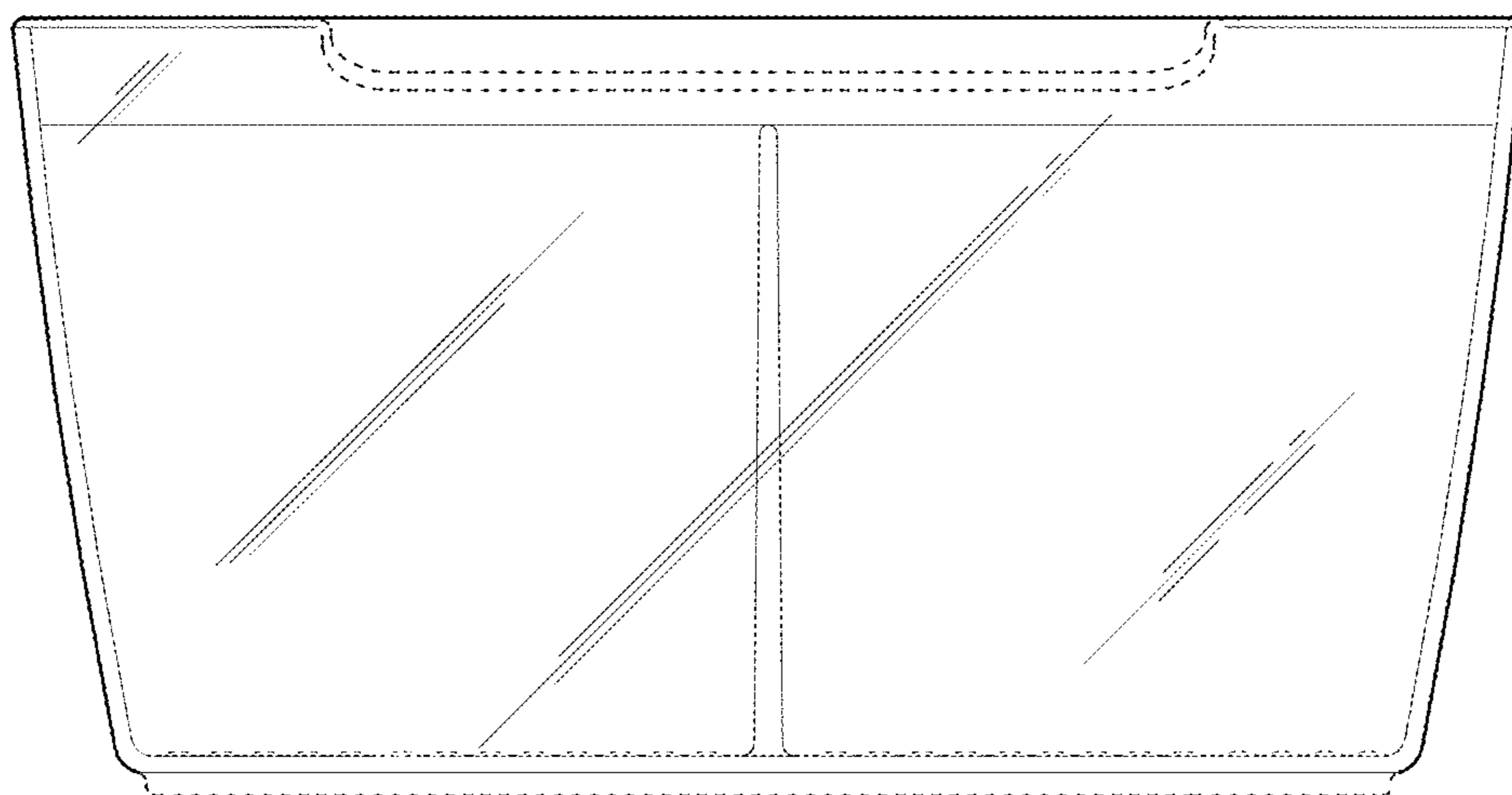


FIG. 2

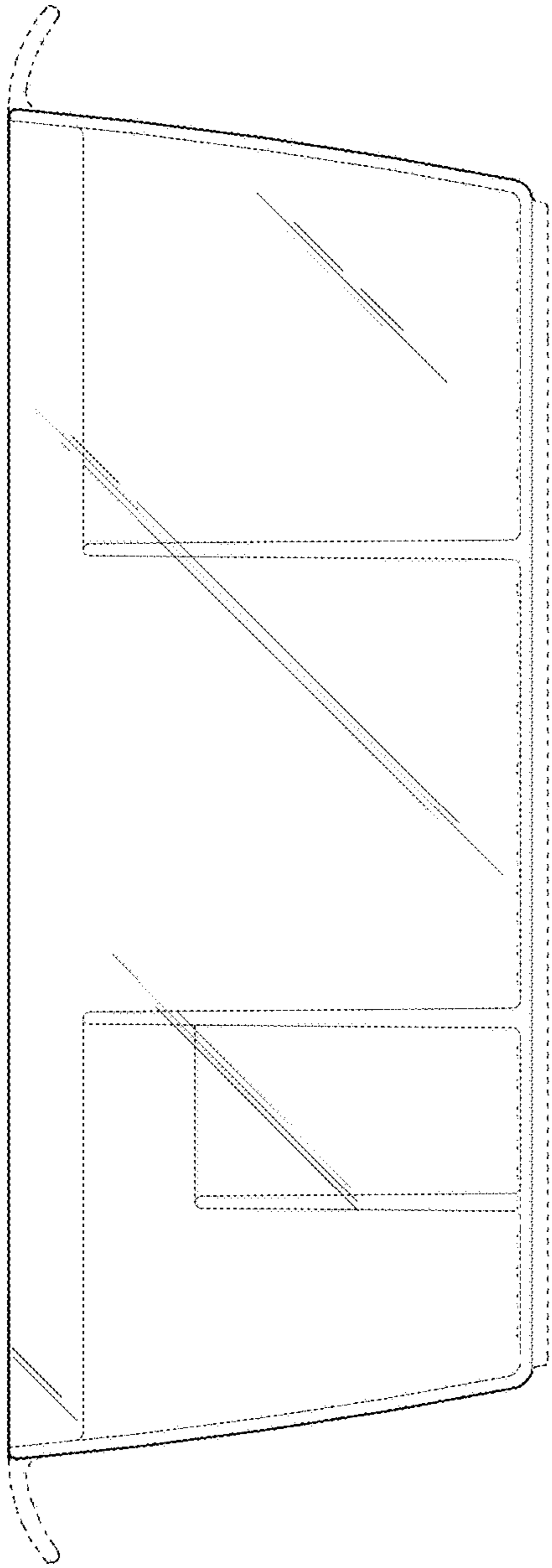


FIG. 3

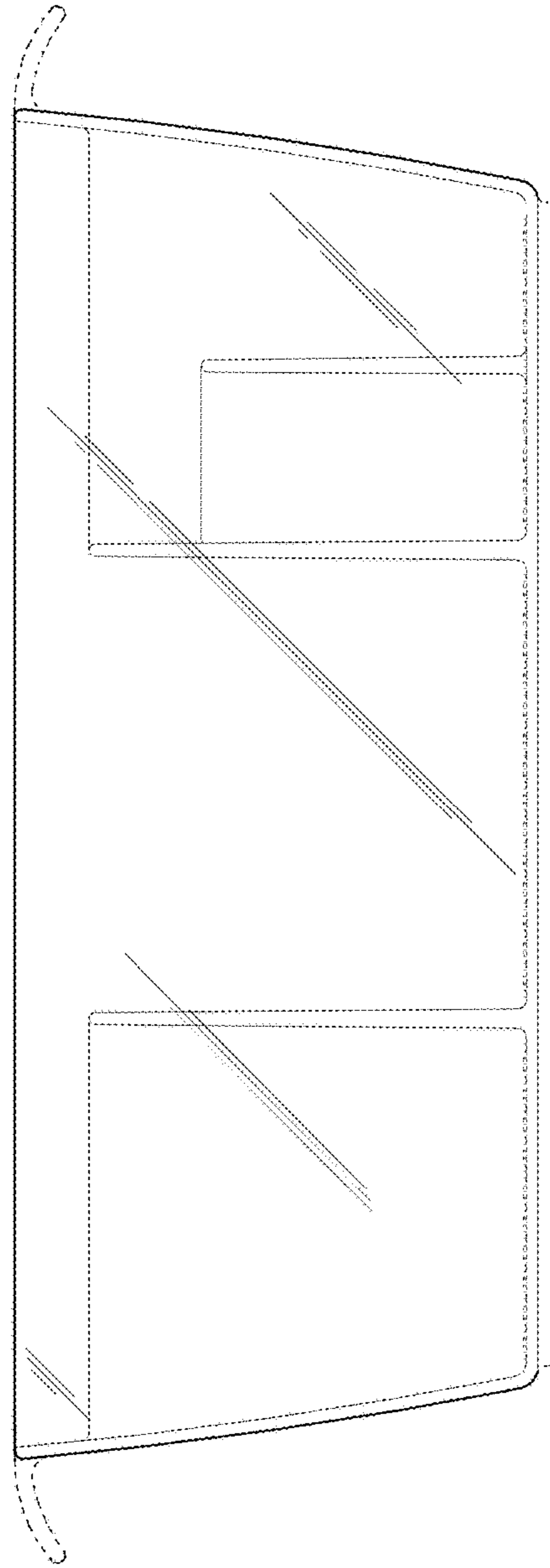


FIG. 4

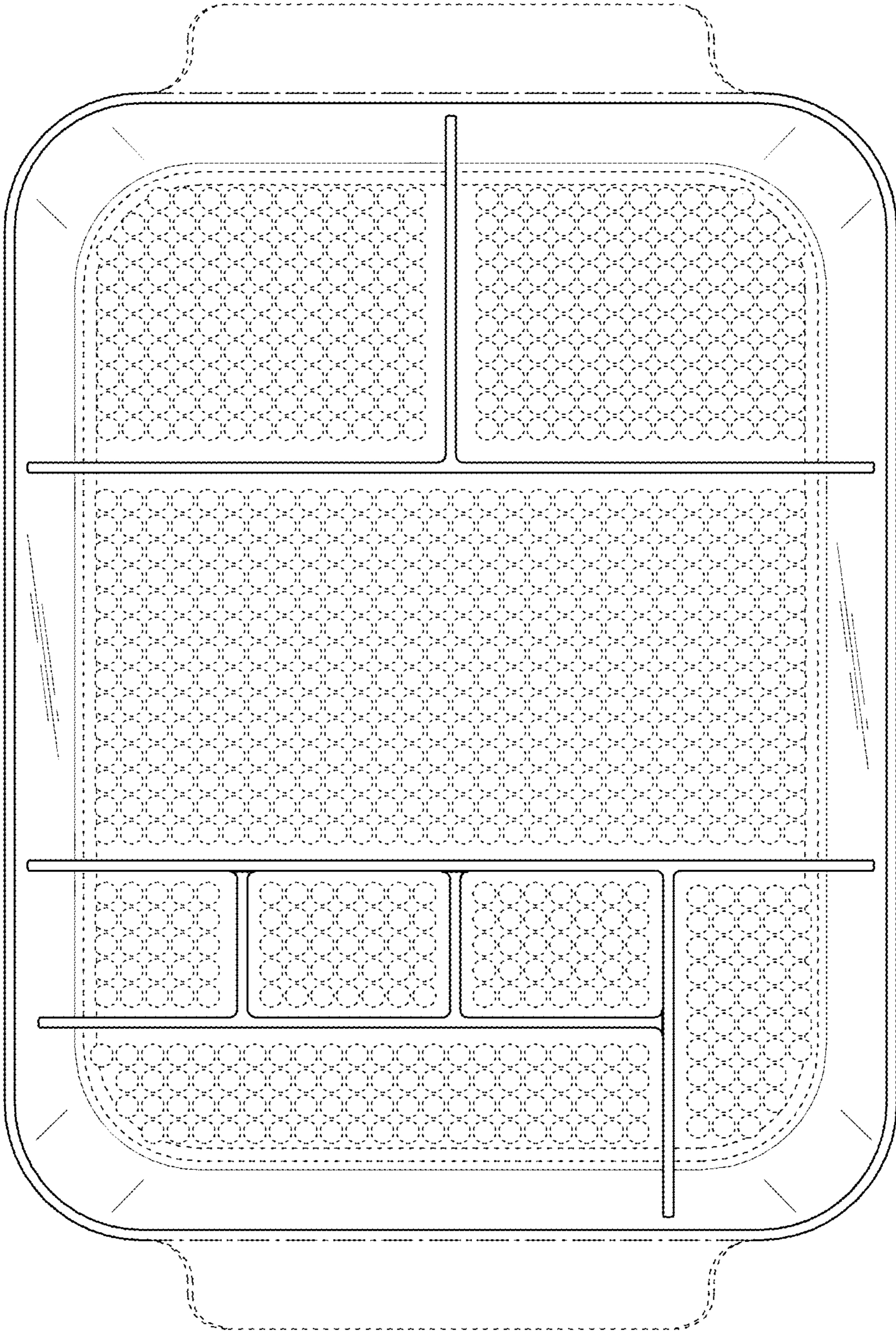


FIG. 5

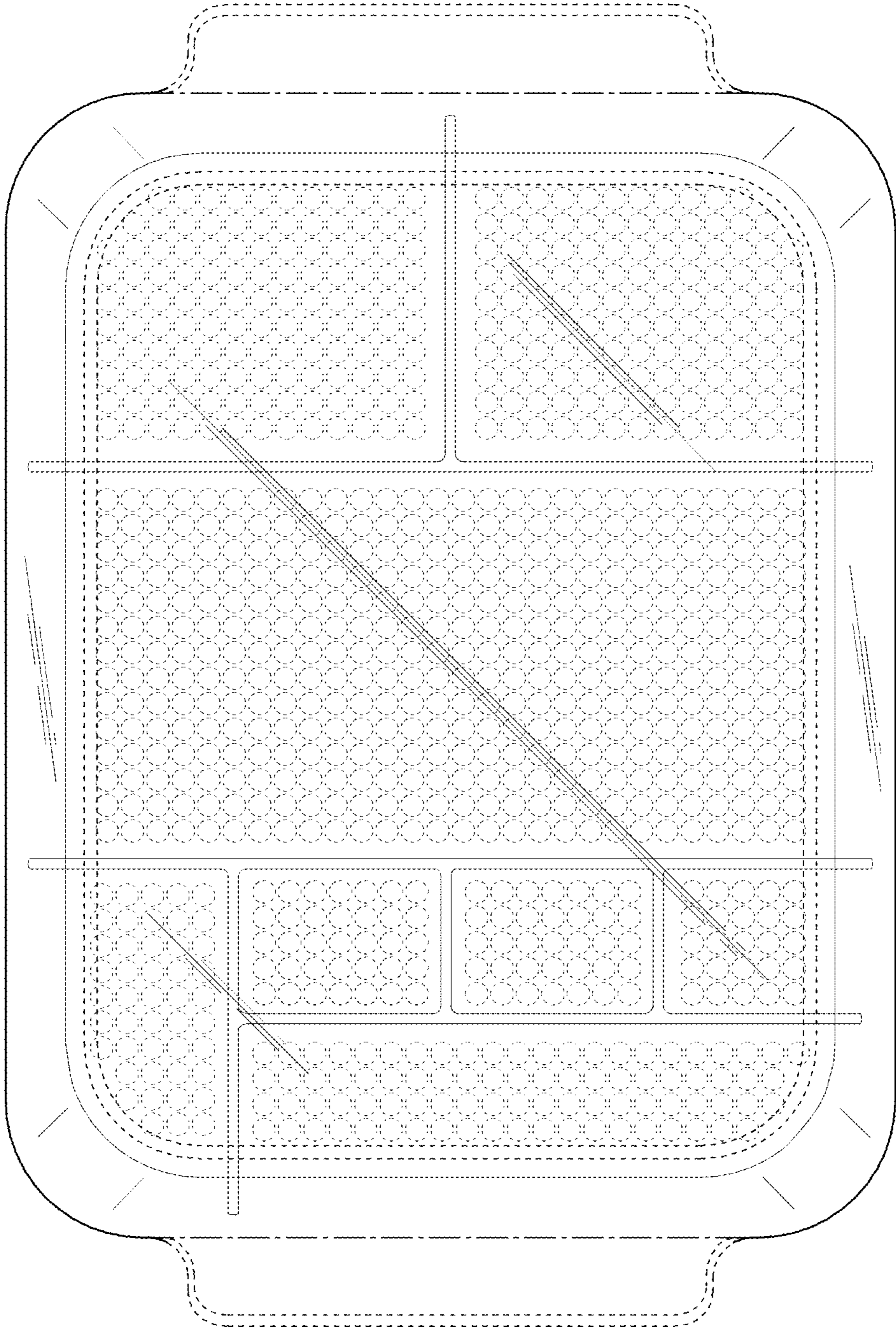


FIG. 6