



US00D794958S

(12) **United States Design Patent**
Reinhart

(10) **Patent No.:** **US D794,958 S**

(45) **Date of Patent:** **** Aug. 22, 2017**

(54) **GUN TOTE**

(71) Applicant: **Creative Plastic Concepts, LLC,**
Sycamore, OH (US)

(72) Inventor: **Nickolas Reinhart,** Findlay, OH (US)

(73) Assignee: **Creative Plastic Concepts, LLC,**
Sycamore, OH (US)

(**) Term: **15 Years**

(21) Appl. No.: **29/560,821**

(22) Filed: **Apr. 11, 2016**

(51) **LOC (10) Cl.** **03-01**

(52) **U.S. Cl.**
USPC **D3/307**

(58) **Field of Classification Search**
USPC D3/304, 307-314, 315, 328; D9/432,
D9/741, 424; D19/75, 77; D6/512, 515,
D6/569, 552
CPC A45C 13/083; A47F 1/04; B65D 71/0003;
B65D 2543/00222; B65D 2543/00296;
B65D 1/22; B65D 2585/54; B65D 1/00;
B25H 3/006; B60R 7/14
See application file for complete search history.

(56) **References Cited**

U.S. PATENT DOCUMENTS

D197,311 S * 1/1964 Spaak et al. 206/509
D274,967 S * 8/1984 Taylor D3/304
D305,841 S * 2/1990 MacQueen D3/304
D357,581 S * 4/1995 Rogers D3/273

D448,567 S * 10/2001 Buss D3/304
D636,198 S * 4/2011 Gibbs D6/513
D663,525 S * 7/2012 Rhoades D3/314
D699,045 S * 2/2014 Gomes D6/513
D720,470 S * 12/2014 Lober D24/227
D743,171 S * 11/2015 Reinhart D3/279
D762,387 S * 8/2016 Green D3/304
D769,642 S * 10/2016 Holton D6/552
D769,643 S * 10/2016 Holton D6/553
2005/0082305 A1 * 4/2005 Dais B65D 43/021
220/785

* cited by examiner

Primary Examiner — Kelley Donnelly

(74) *Attorney, Agent, or Firm* — Ward Law Office LLC;
Jacob M. Ward

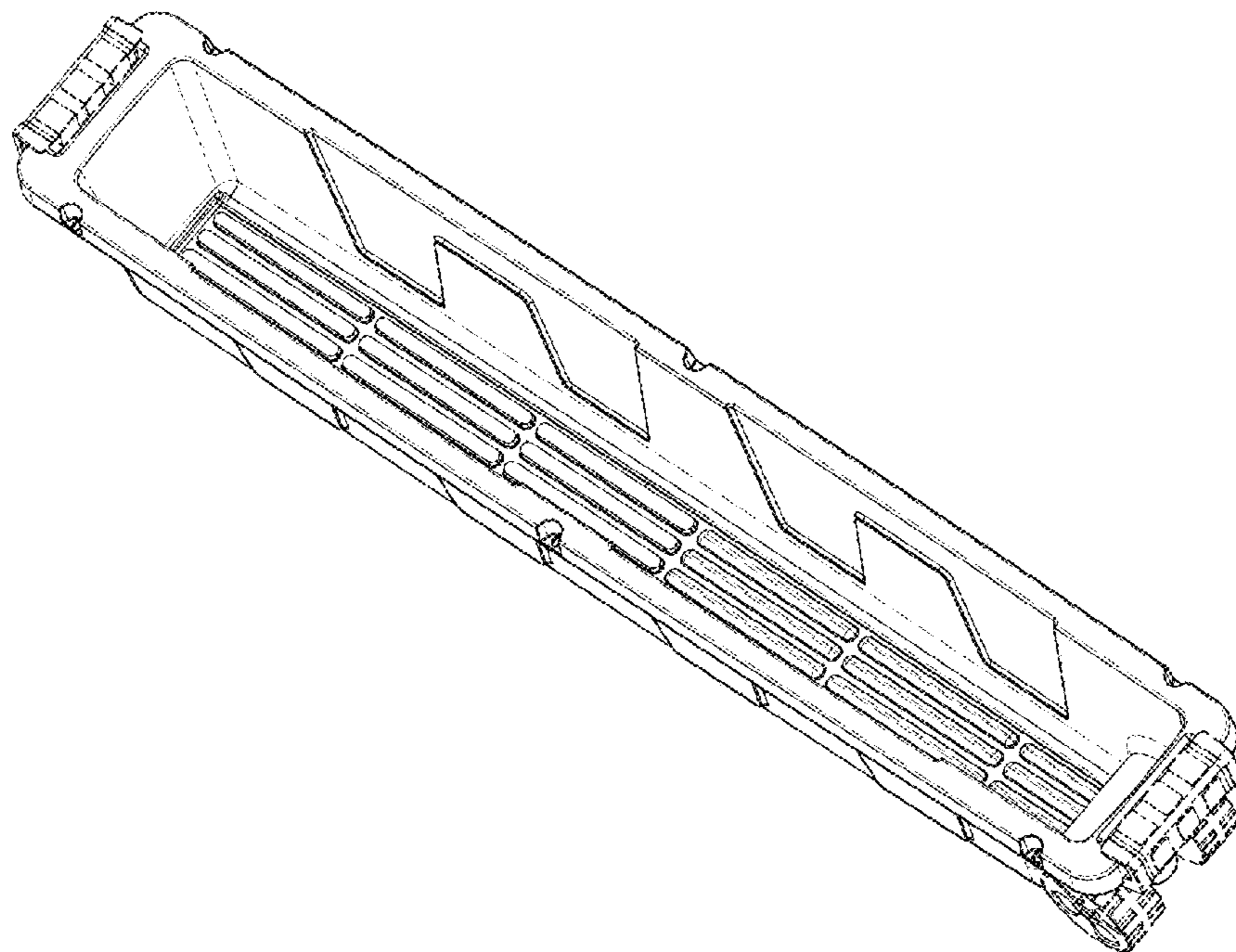
(57) **CLAIM**

The ornamental design for a gun tote, as shown and described.

DESCRIPTION

FIG. 1 is a top perspective view of a gun tote;
FIG. 2 is a bottom perspective view of the gun tote of FIG. 1;
FIG. 3 is a bottom plan view thereof;
FIG. 4 is a top plan view thereof;
FIG. 5 is a front elevational view thereof;
FIG. 6 is rear elevational view thereof; and,
FIG. 7 is a left side elevational view thereof; the right side being a mirror image.
The broken lines are for the purpose of illustrating the environment of the article only and forms no part of the claimed design.

1 Claim, 4 Drawing Sheets



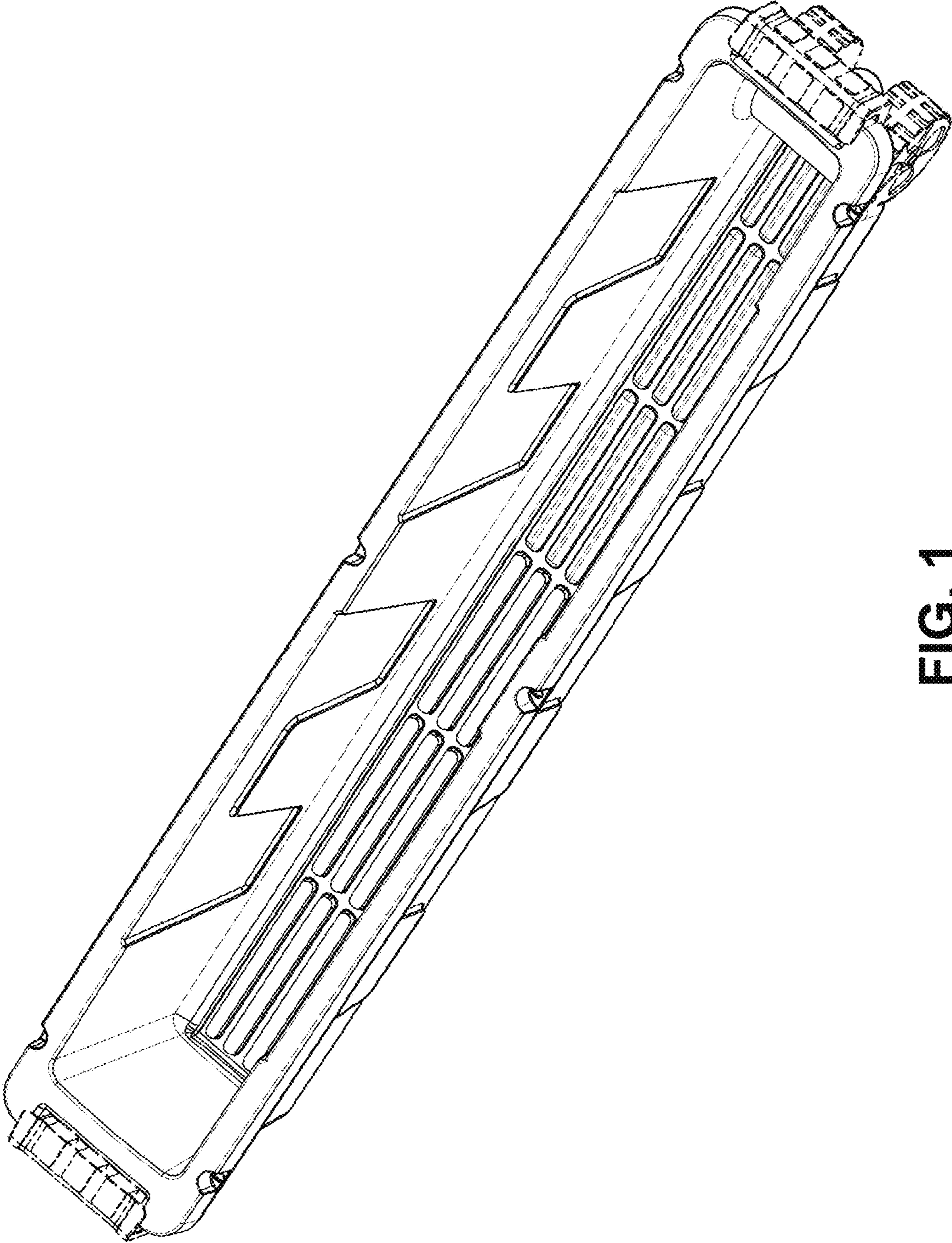


FIG. 1

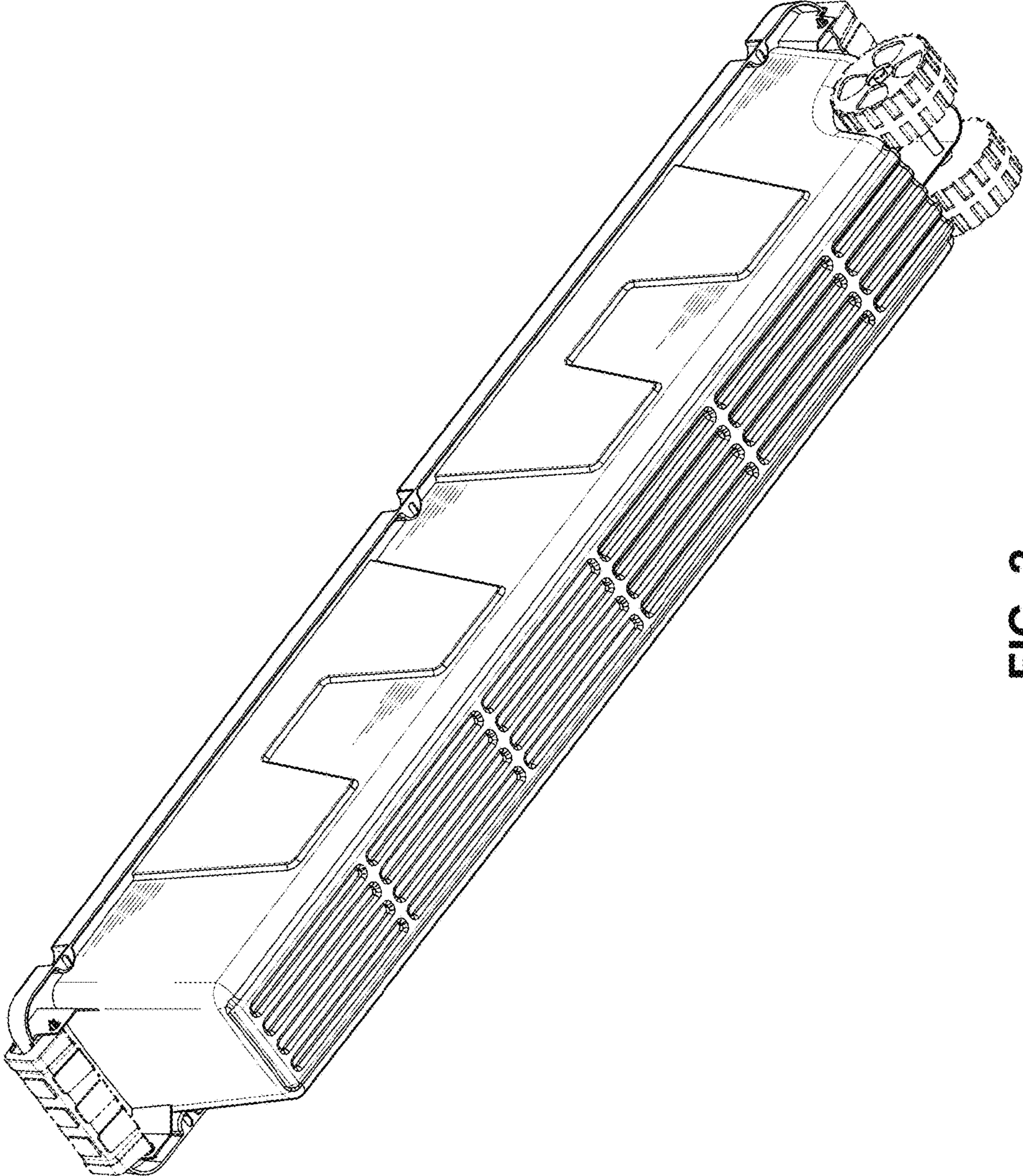


FIG. 2

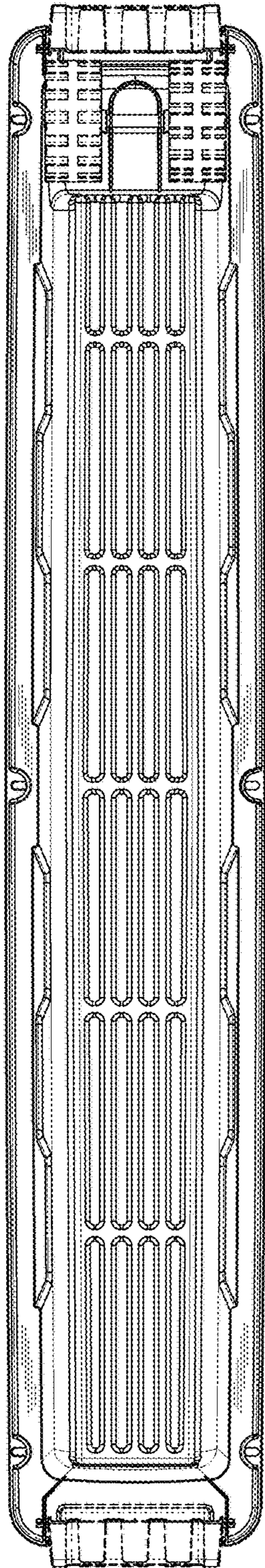


FIG. 3

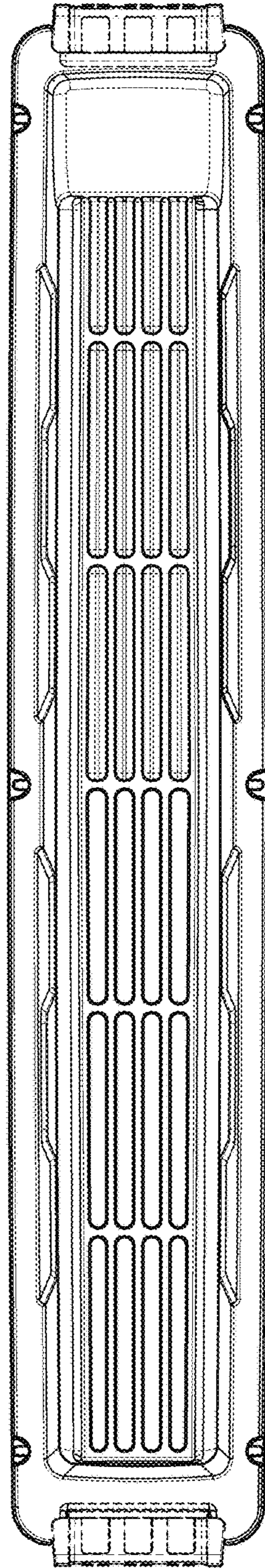


FIG. 4

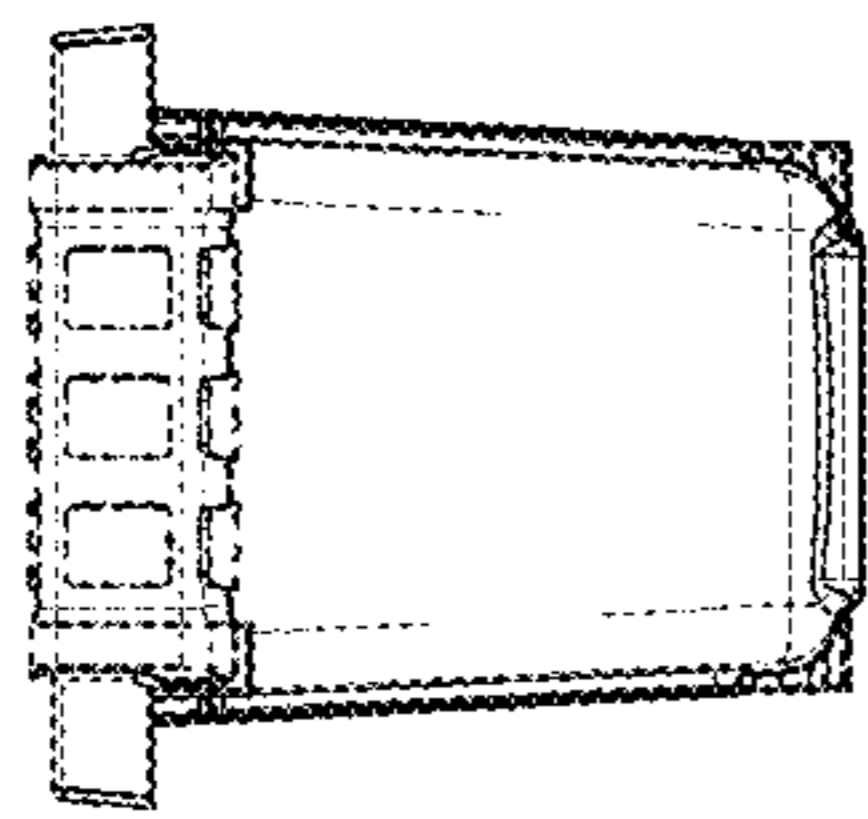


FIG. 5

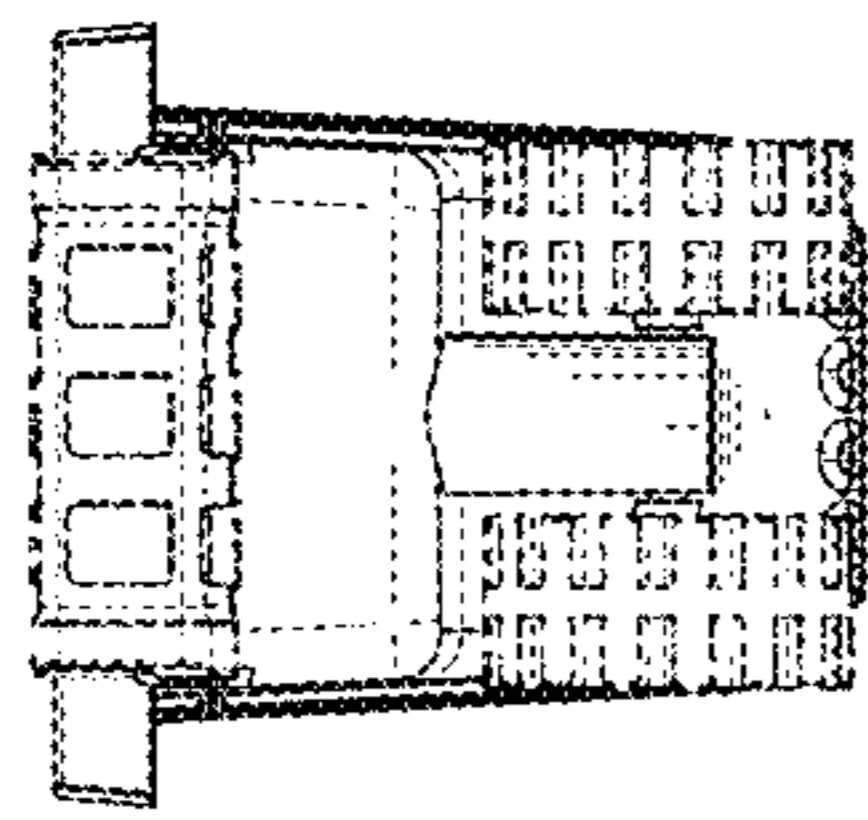


FIG. 6

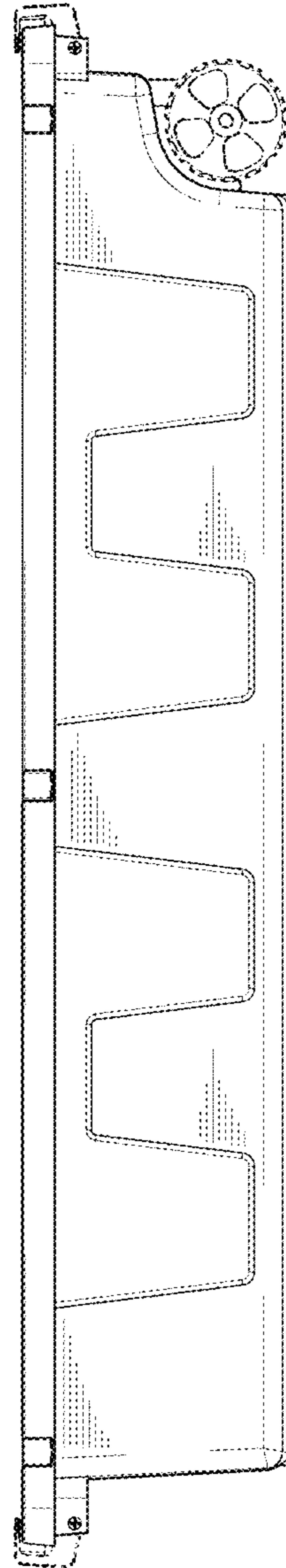


FIG. 7