

US00D794954S

(12) **United States Design Patent**
Lee et al.

(10) **Patent No.:** **US D794,954 S**

(45) **Date of Patent:** **** Aug. 22, 2017**

(54) **TOOL STORAGE BOX**

(71) Applicant: **Stanley Black & Decker, Inc.**, New Britain, CT (US)

(72) Inventors: **Hsin-Chang Lee**, Taichung (TW);
Nadin Daniel Horovitz, Rehovot (IL)

(73) Assignee: **Stanley Black & Decker, Inc.**, New Britain, CT (US)

(**) Term: **15 Years**

(21) Appl. No.: **29/530,780**

(22) Filed: **Jun. 19, 2015**

(30) **Foreign Application Priority Data**

Dec. 19, 2014 (EP) 001427314-0001

(51) **LOC (10) Cl.** **03-01**

(52) **U.S. Cl.**
USPC **D3/282; D3/905**

(58) **Field of Classification Search**
USPC D3/905, 276, 279-284, 291, 294, 295,
D3/298, 901, 302, 272, 273, 274, 903
CPC . B25H 3/02-3/028; B25H 3/00; B25H 3/003;
B25H 3/006

See application file for complete search history.

(56) **References Cited**

U.S. PATENT DOCUMENTS

D294,775 S * 3/1988 Rechberg D3/279
D372,404 S * 8/1996 Booten D3/282

D572,479 S * 7/2008 Buck D3/282
D639,059 S * 6/2011 Fraiman D3/282
8,459,488 B2 * 6/2013 Pannier, II B65D 25/04
220/23.83
D703,437 S * 4/2014 Bar-Erez D3/282
D731,791 S * 6/2015 Youmans D3/282
D738,622 S * 9/2015 Sabbag D3/282
D739,141 S * 9/2015 Gabrielyan D3/282
D759,378 S * 6/2016 West D3/294
2007/0074984 A1 * 4/2007 Liu A45C 11/00
206/349

* cited by examiner

Primary Examiner — Jennifer Rivard

Assistant Examiner — April Rivas

(74) *Attorney, Agent, or Firm* — Gabriel A. Haboubi

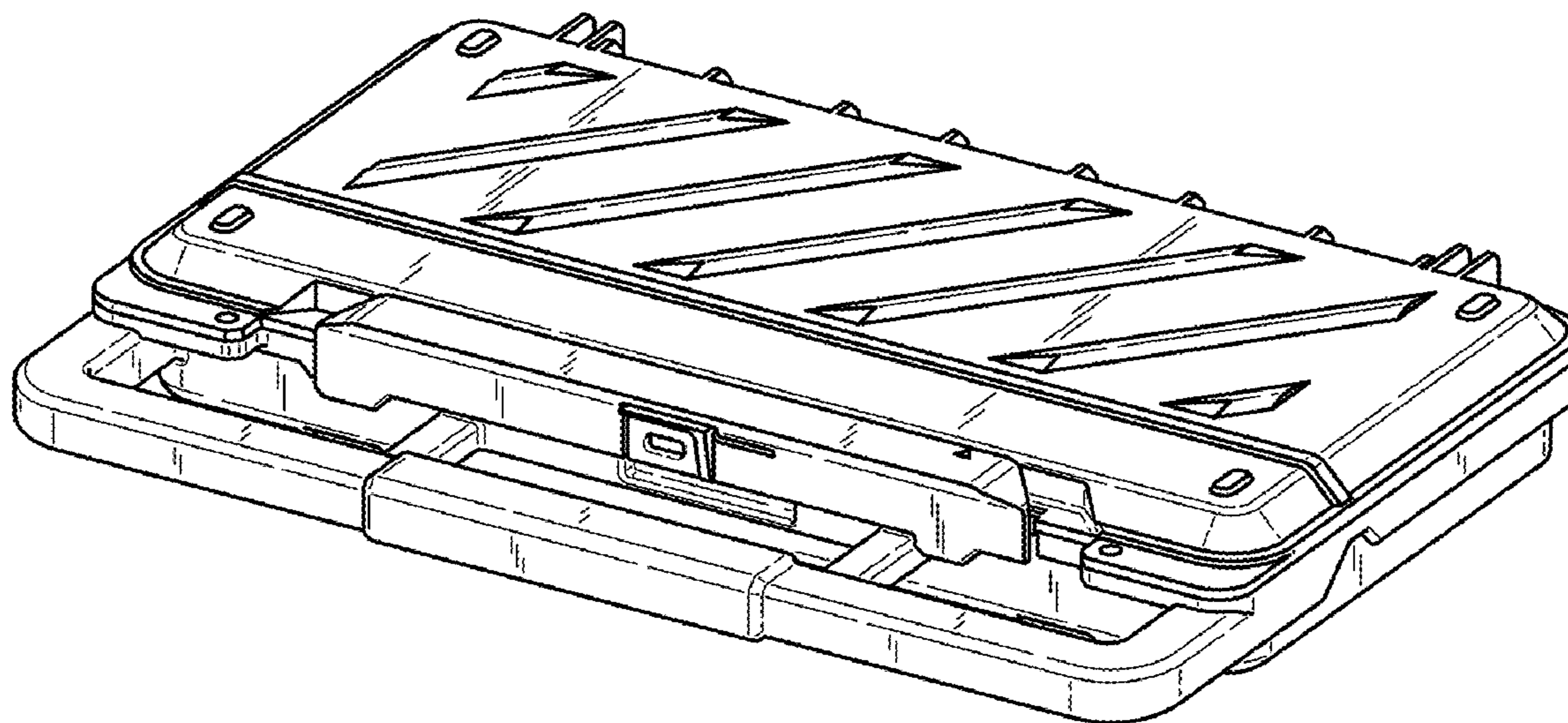
(57) **CLAIM**

The ornamental design for a tool storage box, as shown and described.

DESCRIPTION

FIG. 1 is a perspective view of our new design.
FIG. 2 is a front view thereof.
FIG. 3 is a rear view thereof.
FIG. 4 is a left side view thereof.
FIG. 5 is a right side view thereof.
FIG. 6 is a top view thereof; and,
FIG. 7 is a bottom view thereof.
The broken lines illustrate portions of the tool storage box and form no part of the claimed design.

1 Claim, 4 Drawing Sheets



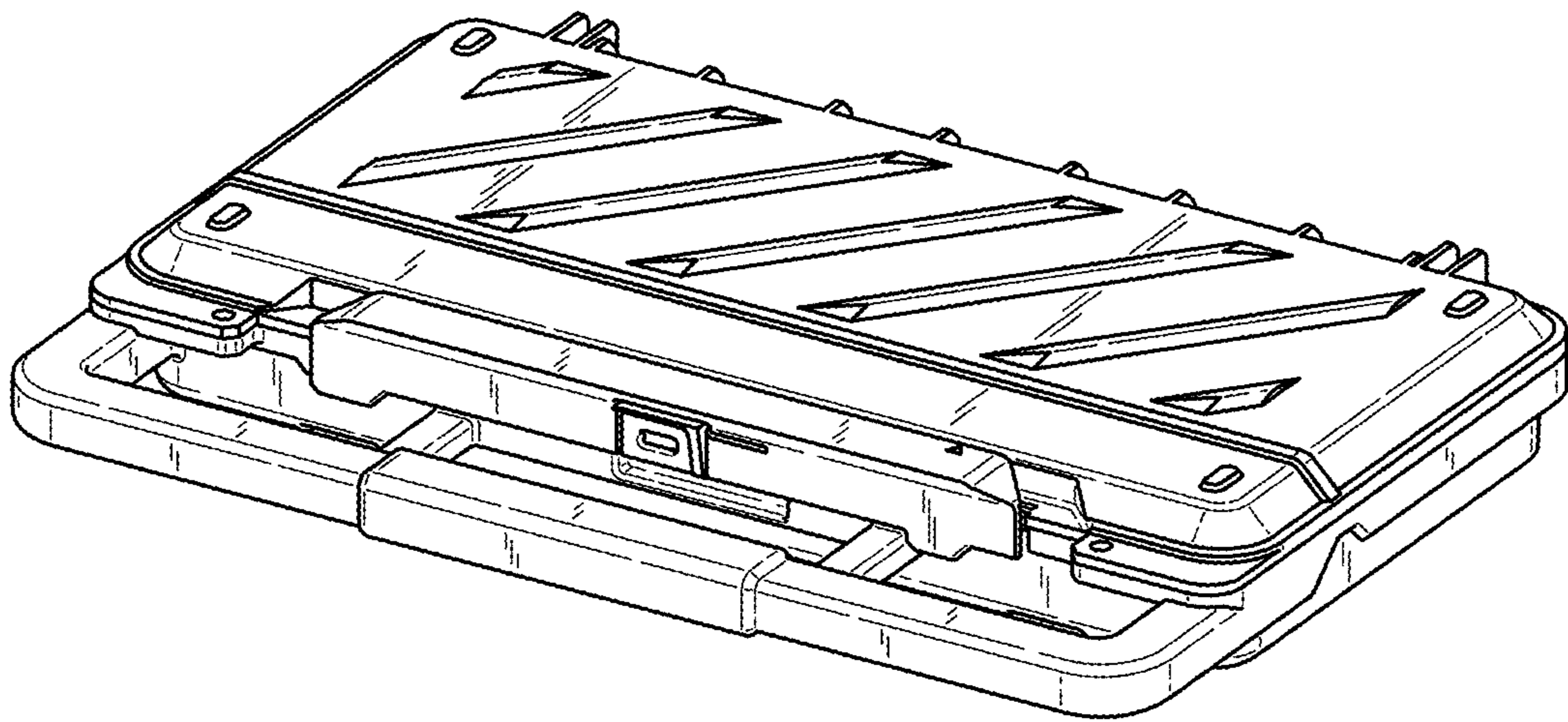


Fig. 1

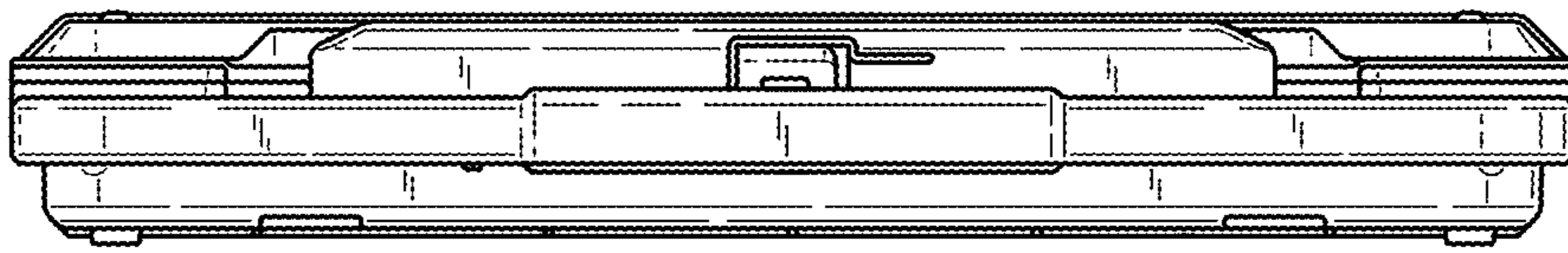


Fig. 2

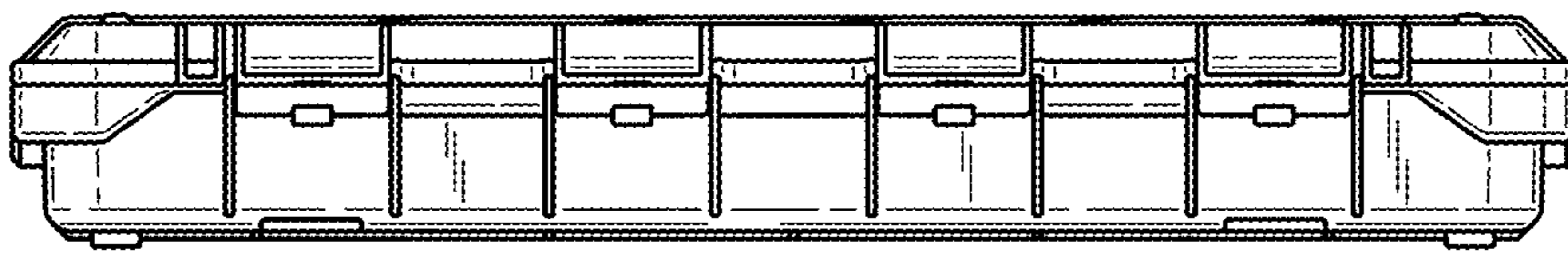


Fig. 3

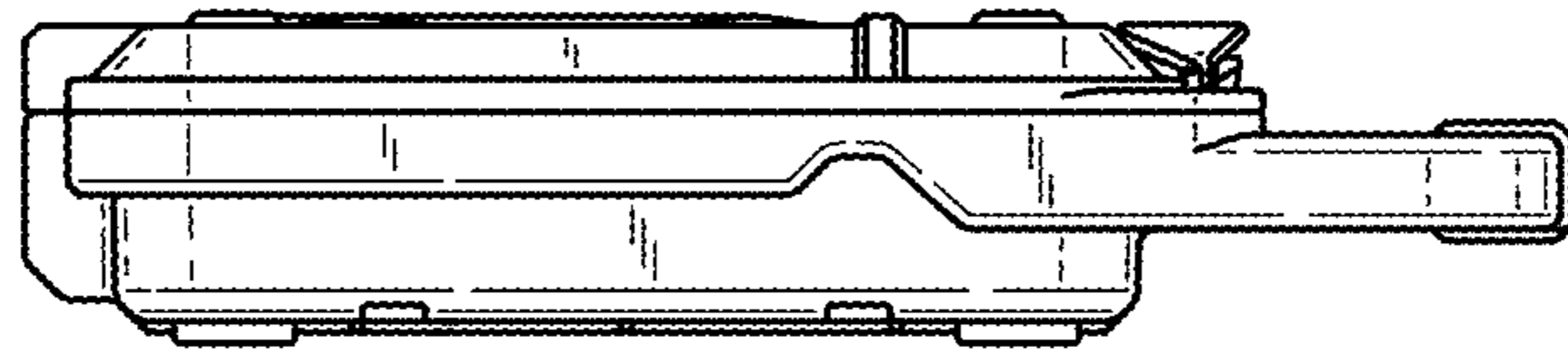


Fig. 4

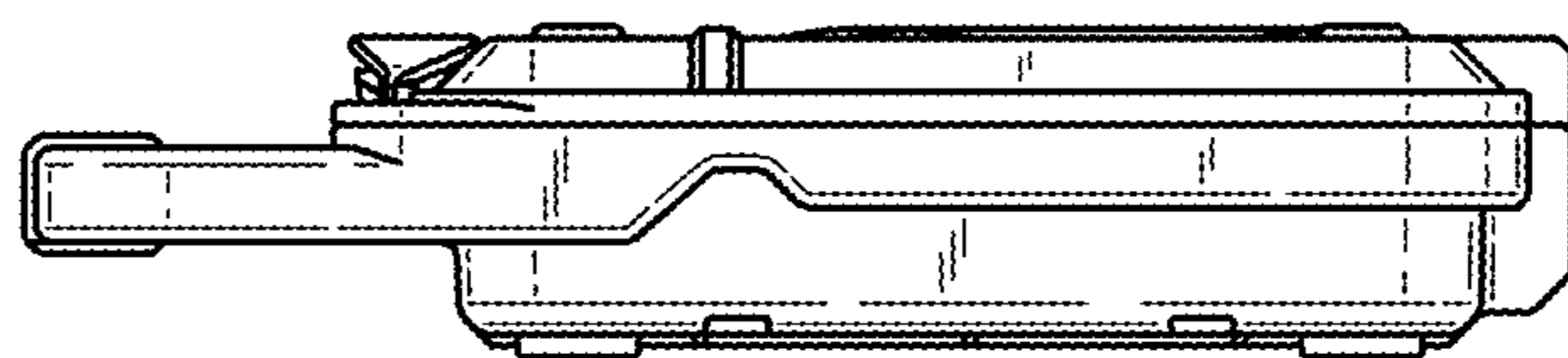


Fig. 5

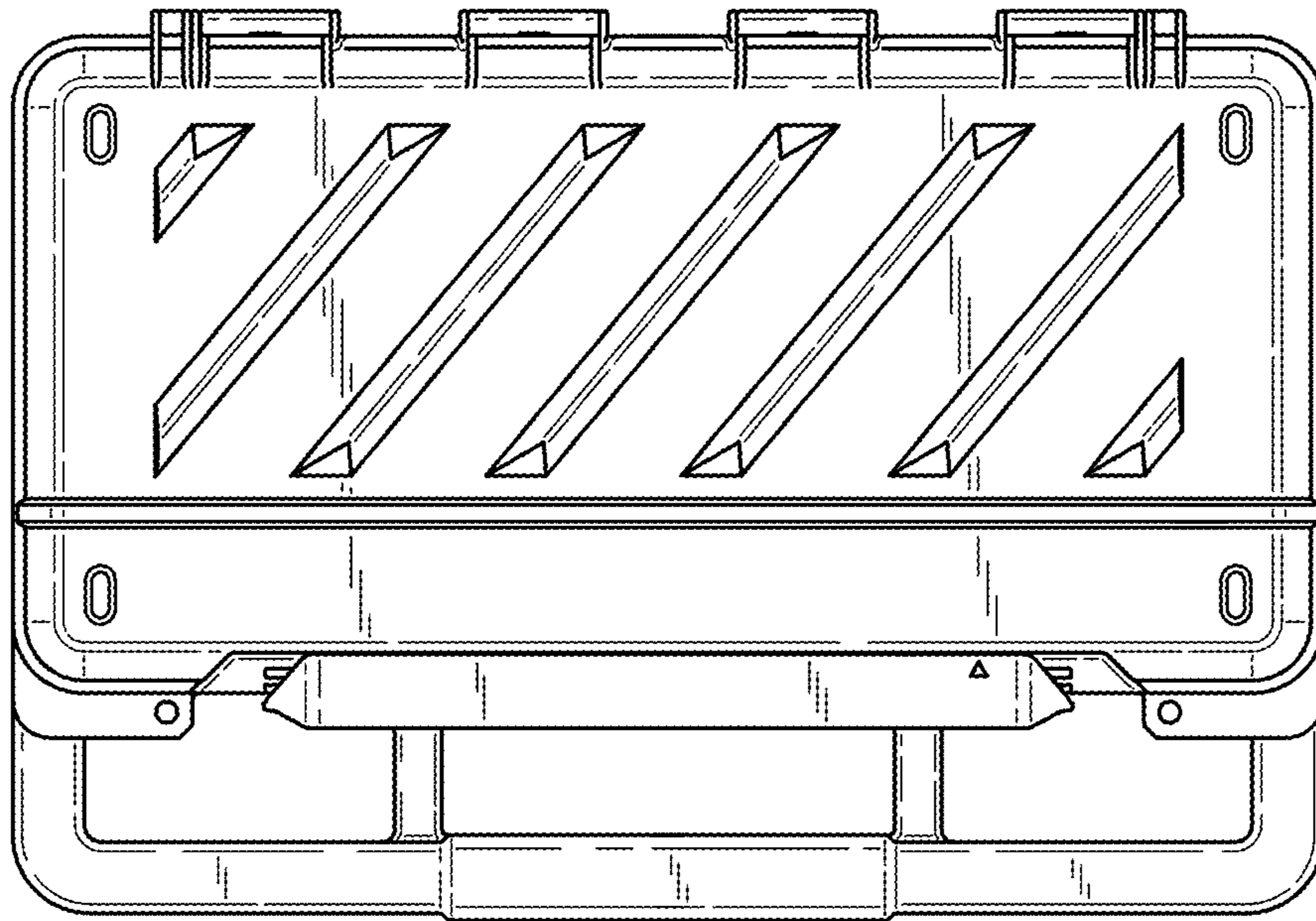


Fig. 6

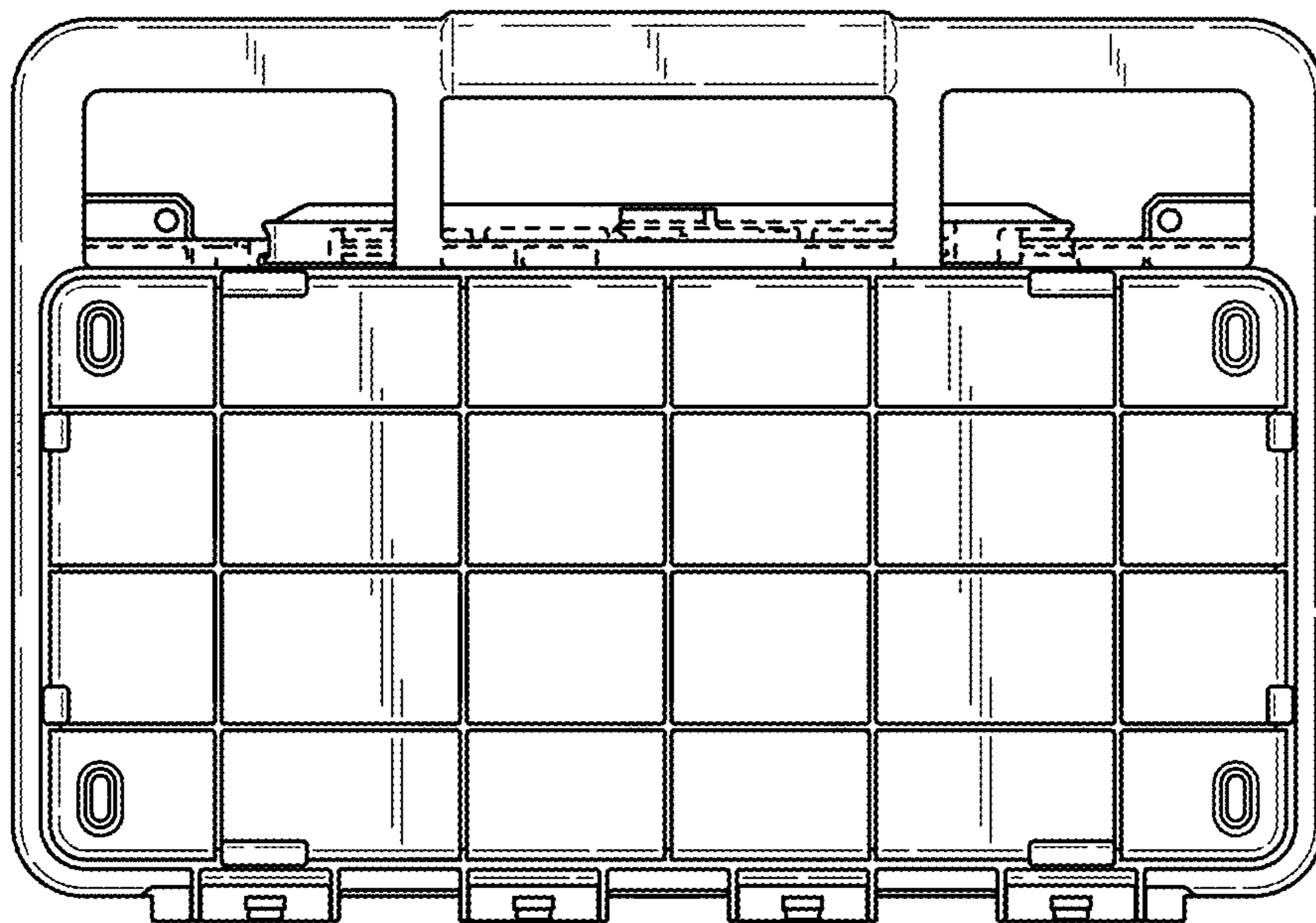


Fig. 7