



US00D794952S

(12) **United States Design Patent**  
**Feng**

(10) **Patent No.:** **US D794,952 S**

(45) **Date of Patent:** **\*\* Aug. 22, 2017**

(54) **CASE FOR MOBILE PHONE WITH A  
DETACHABLE STRAP**

(71) Applicant: **GUANGZHOU WENYI  
COMMUNICATION EQUIPMENT  
CO., LTD.**, Guangzhou, Guangdong  
Province (CN)

(72) Inventor: **Youru Feng**, Guangzhou (CN)

(73) Assignee: **Guangzhou Wenyi Communication  
Equipment Co., Ltd.**, Guangzhou,  
Guangdong (CN)

(\*\*) Term: **15 Years**

(21) Appl. No.: **29/568,002**

(22) Filed: **Jun. 14, 2016**

(30) **Foreign Application Priority Data**

May 23, 2016 (CN) ..... 2016 3 0195460

(51) **LOC (10) Cl.** ..... **03-01**

(52) **U.S. Cl.**  
USPC ..... **D3/247**

(58) **Field of Classification Search**

USPC ..... D3/247-248, 250-253, 201, 303, 218,  
D3/232-233; 150/132-133, 135-137,  
150/143

CPC .. A45C 1/06; A45C 3/08; A45C 1/024; A45C  
11/14; A45C 15/00; A45C 15/02

See application file for complete search history.

(56) **References Cited**

**U.S. PATENT DOCUMENTS**

D319,146 S \* 8/1991 Vittetoe ..... D3/249  
D517,803 S \* 3/2006 Brown ..... D3/247

D659,394 S \* 5/2012 Hebert ..... D3/247  
D729,522 S \* 5/2015 Kim ..... D3/218  
D738,620 S \* 9/2015 Schmole ..... D3/249  
D757,431 S \* 5/2016 Requa ..... D3/247  
D759,966 S \* 6/2016 Pignotti ..... D3/247

\* cited by examiner

*Primary Examiner* — Catheri Oliver-Garcia

(74) *Attorney, Agent, or Firm* — Hamre, Schumann,  
Mueller & Larson, P.C.

(57) **CLAIM**

The ornamental design for a case for mobile phone with a detachable strap, as shown and described.

**DESCRIPTION**

FIG. 1 is a front view of a case for mobile phone with a detachable strap showing my new design;

FIG. 2 is a front view of the case for a mobile phone with the detachable strap shown removed for ease of illustration;

FIG. 3 is a rear view corresponding to FIG. 2;

FIG. 4 is a right side view corresponding to FIG. 2;

FIG. 5 is a left side view corresponding to FIG. 2;

FIG. 6 is a bottom view corresponding to FIG. 2;

FIG. 7 is a top view corresponding to FIG. 2;

FIG. 8 is a perspective view corresponding to FIG. 2, showing the appearance when the case for mobile phones is opened;

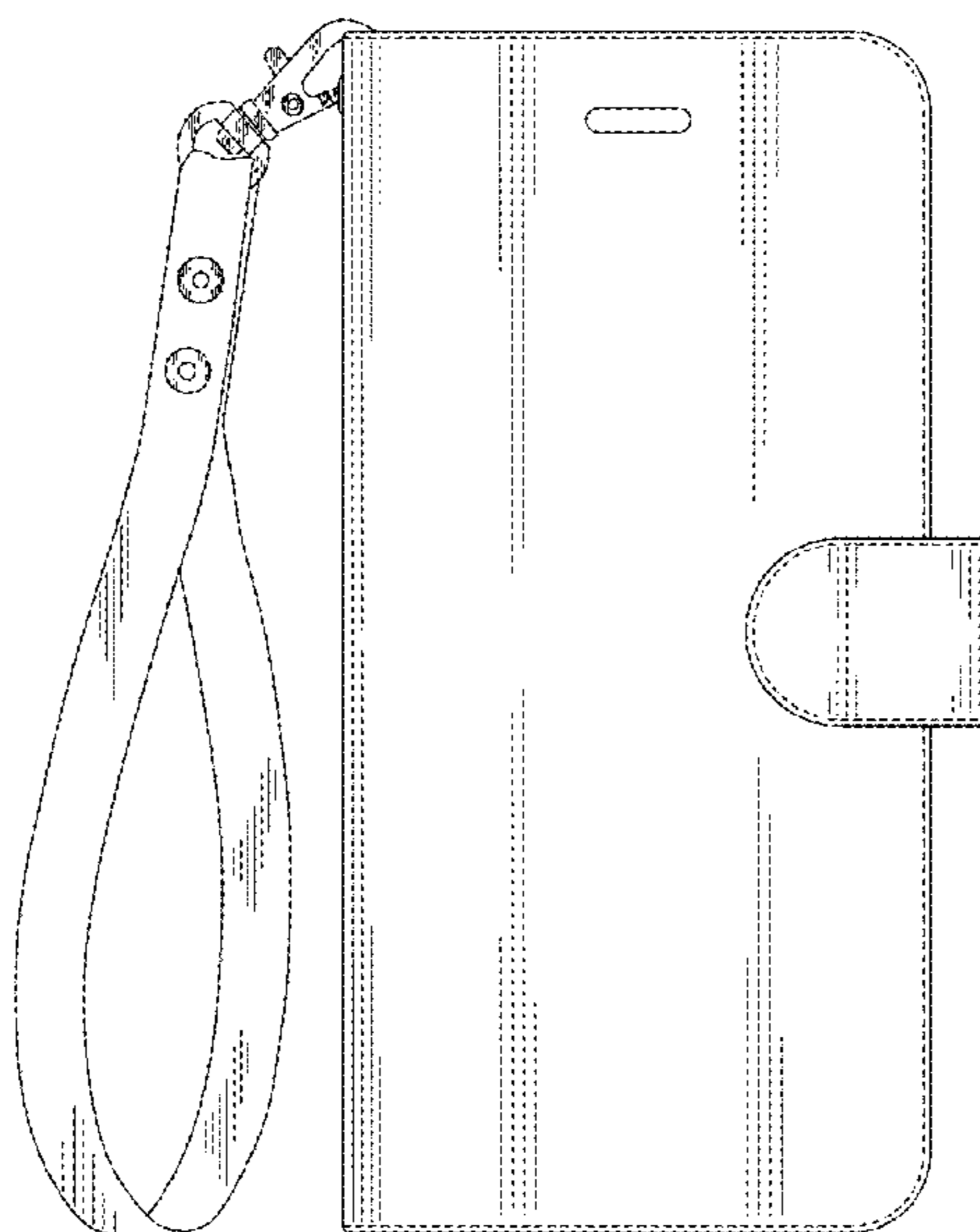
FIG. 9 is a front perspective view in USE stage corresponding to FIG. 2;

FIG. 10 is a rear perspective view in USE stage corresponding to FIG. 2; and,

FIG. 11 is a perspective view of the detachable strap of FIG. 1 shown separately for ease of illustration.

The broken lines in the drawings are included to show unclaimed subject matter only and form no part of the claimed design.

**1 Claim, 9 Drawing Sheets**



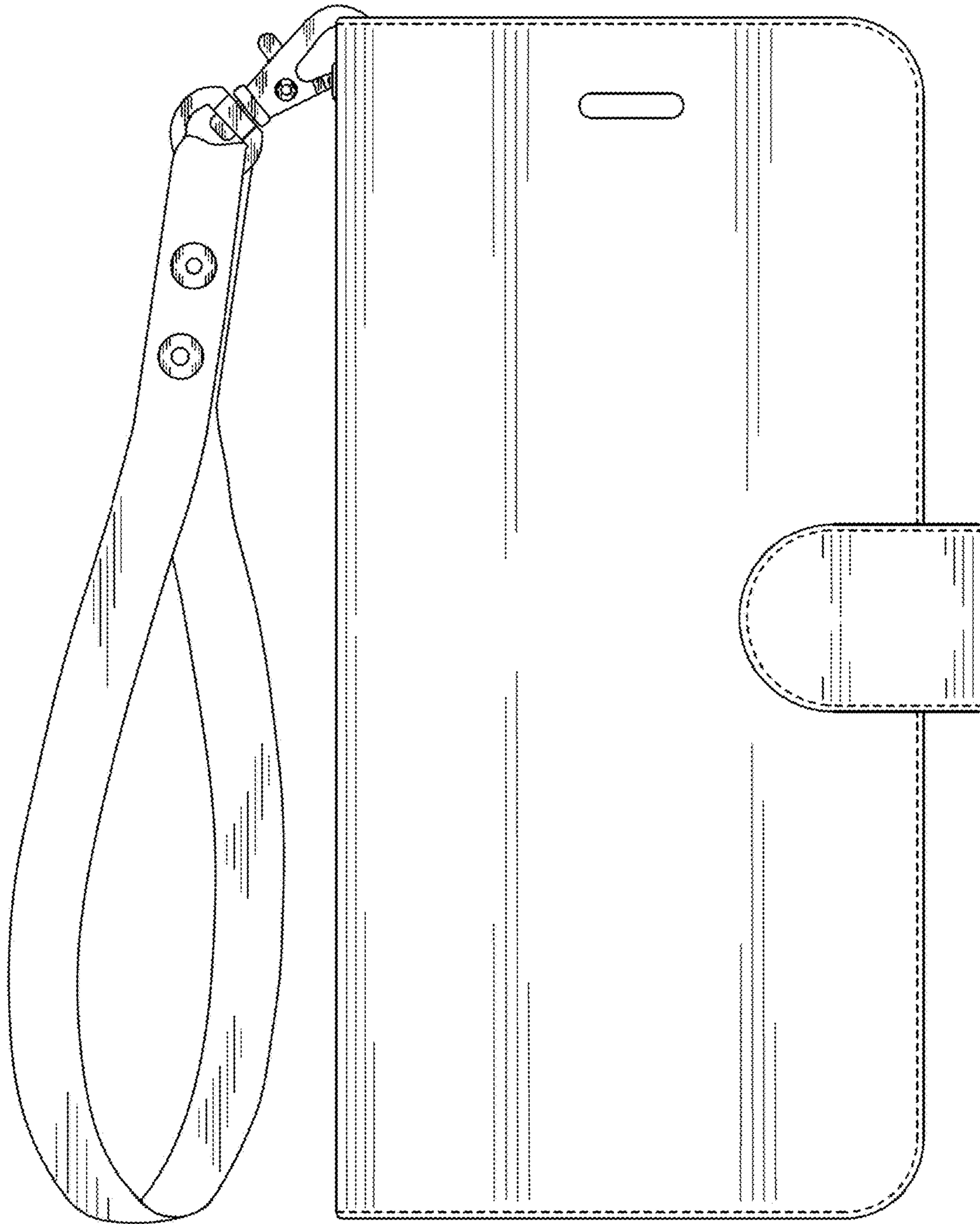


Fig. 1

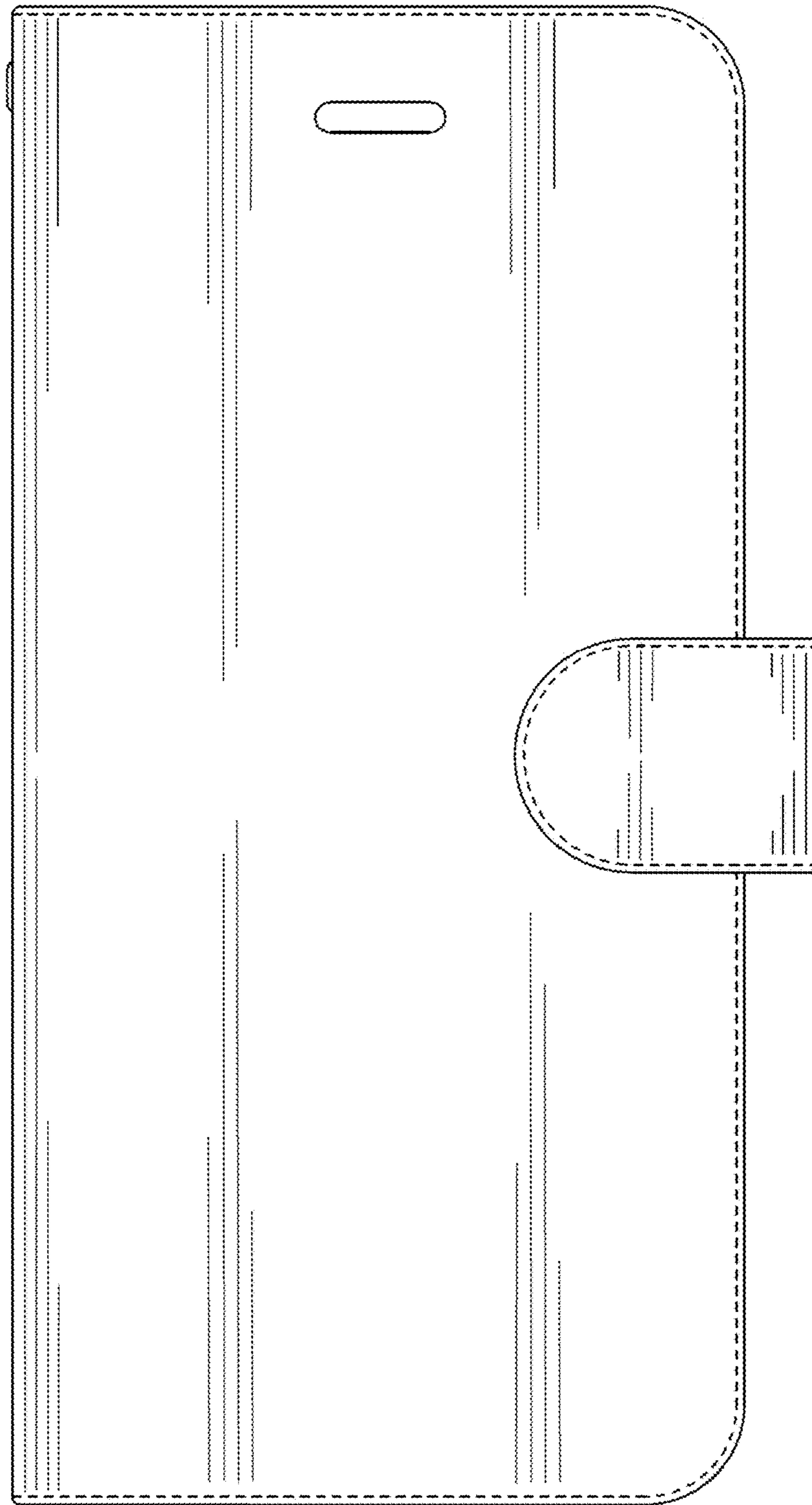


Fig. 2



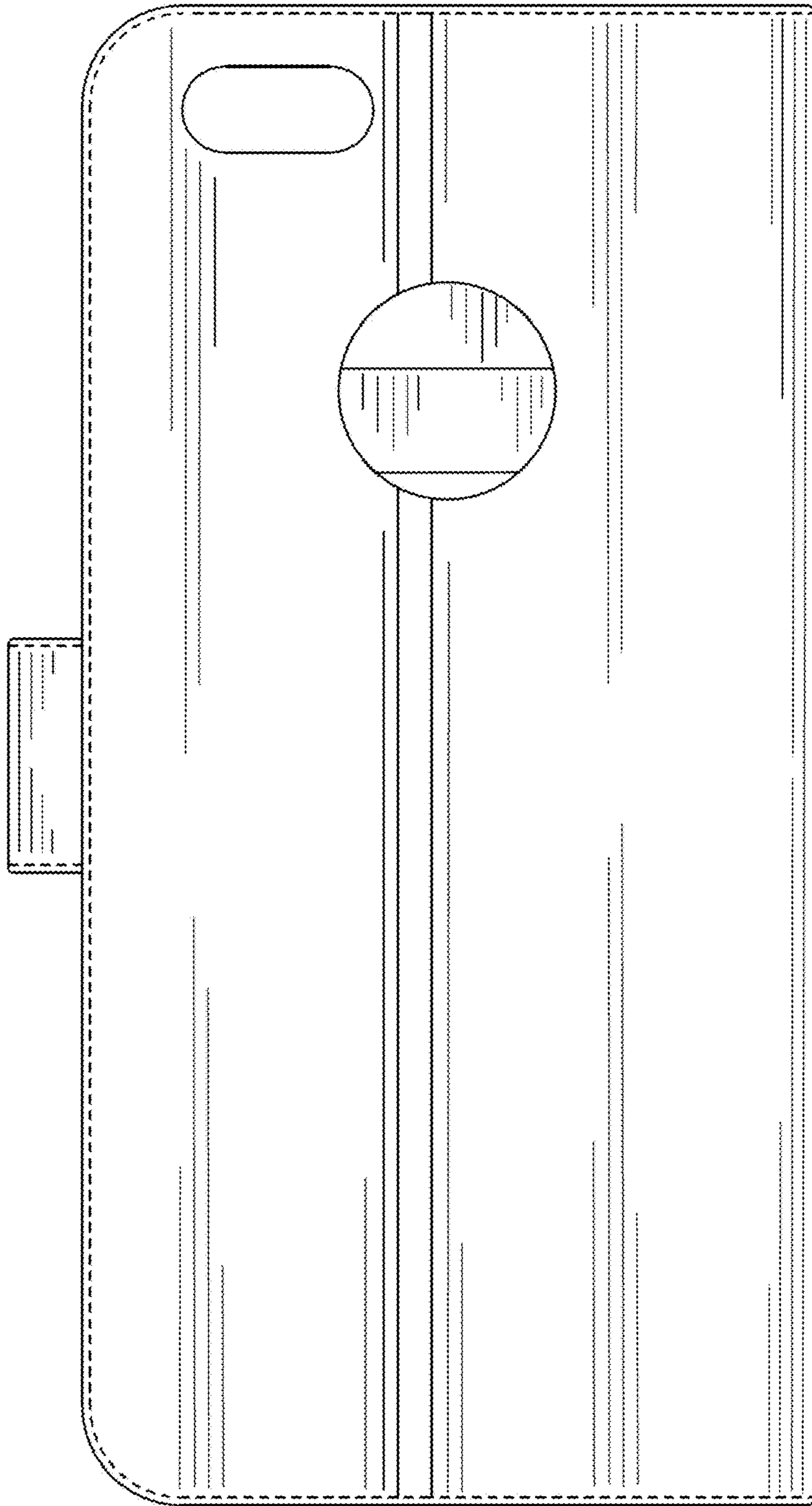


Fig. 3

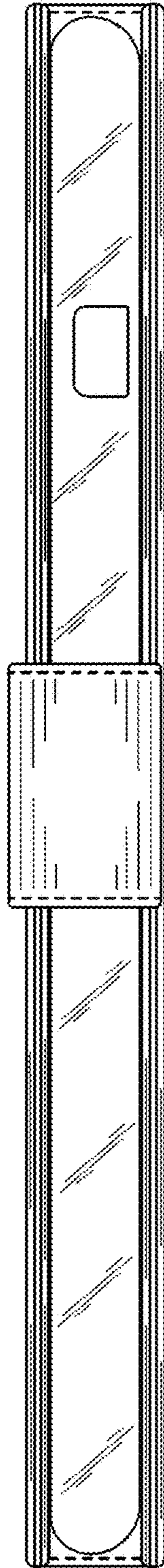


Fig. 4

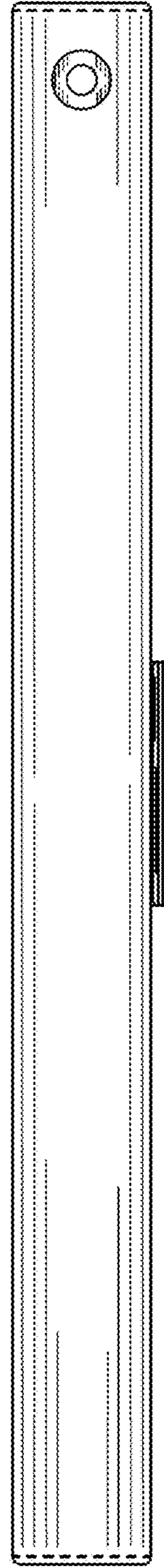


Fig. 5

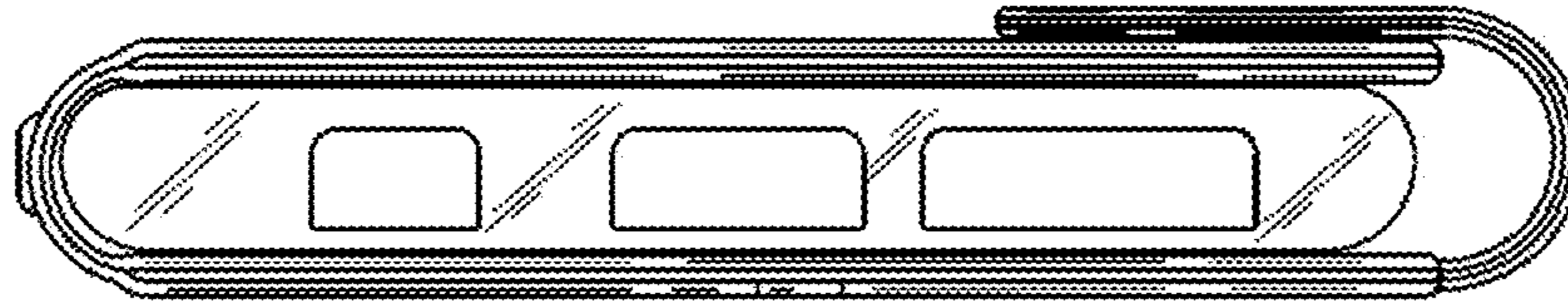


Fig. 6

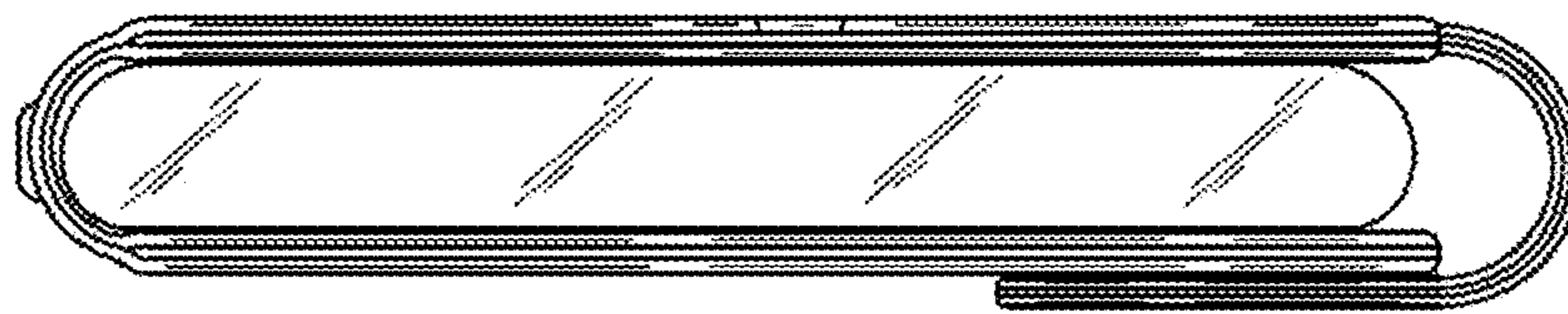


Fig. 7

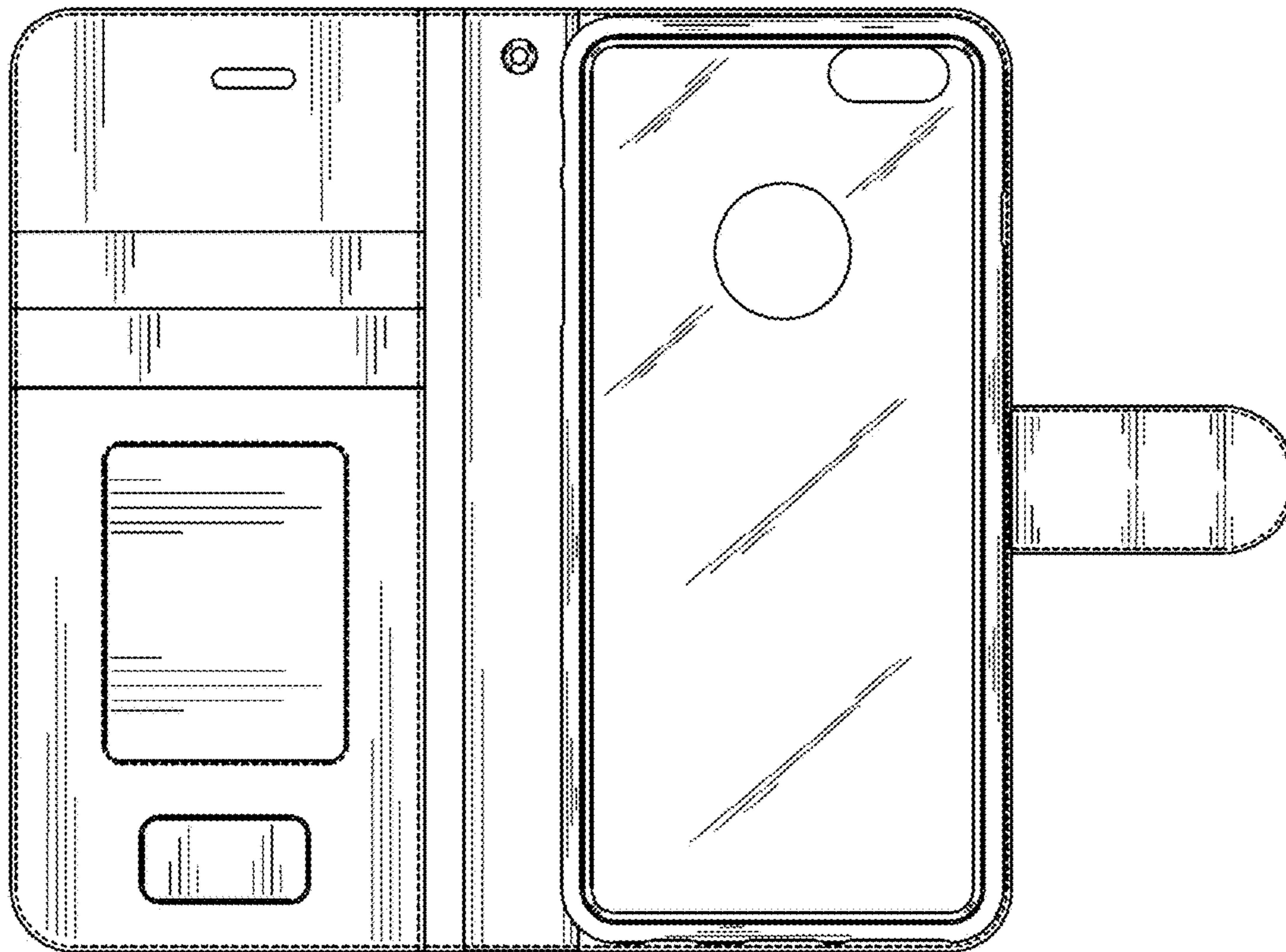


Fig. 8



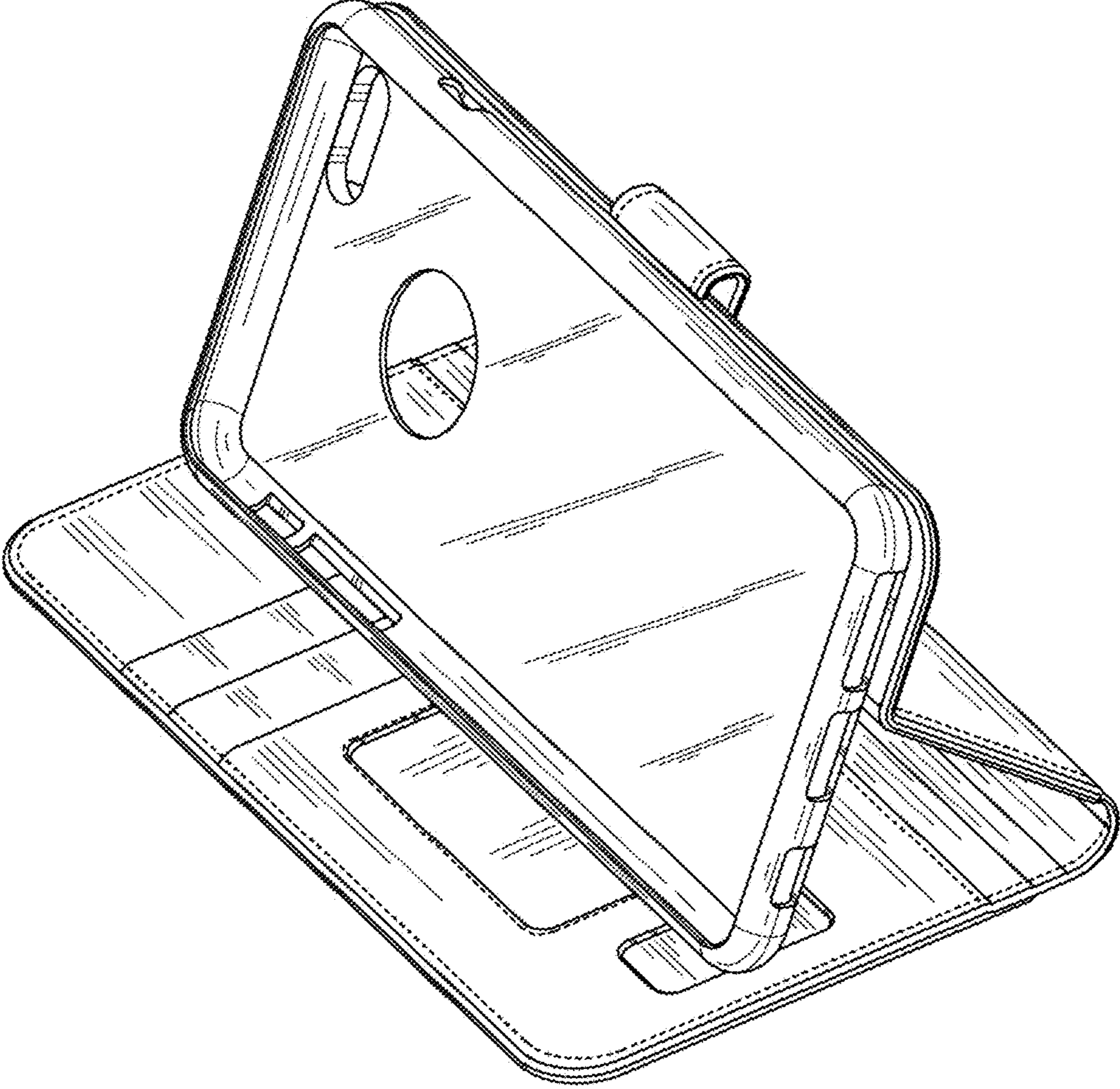


Fig. 9



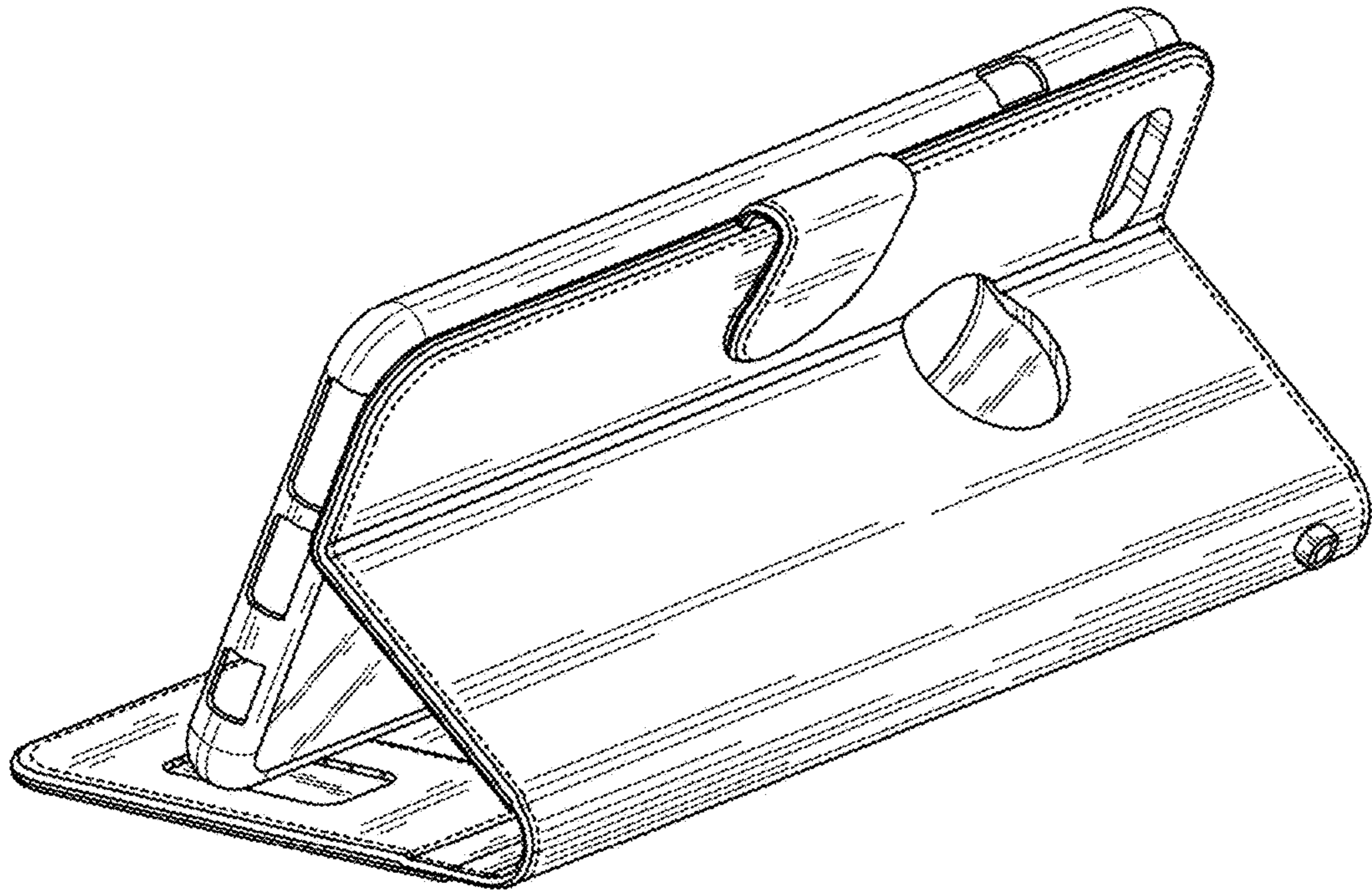


Fig. 10

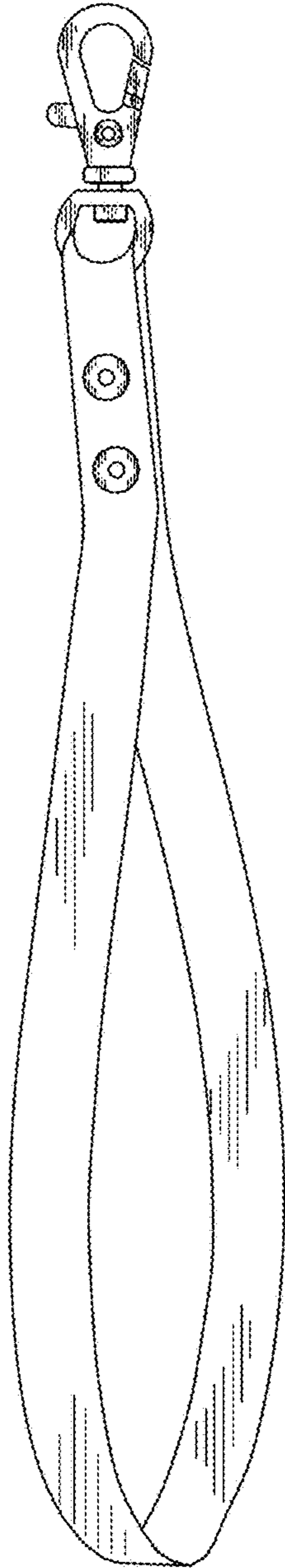


Fig. 11