

US00D794944S

(12) **United States Design Patent** (10) **Patent No.:** **US D794,944 S**
Martin (45) **Date of Patent:** **** Aug. 22, 2017**

- (54) **DISPENSER**
- (71) Applicant: **Medline Industries, Inc.**, Northfield, IL (US)
- (72) Inventor: **Tambra Martin**, Trevor, WI (US)
- (73) Assignee: **Medline Industries, Inc.**, Northfield, IL (US)
- (**) Term: **15 Years**
- (21) Appl. No.: **29/576,459**
- (22) Filed: **Sep. 2, 2016**

- 4,735,342 A 4/1988 Goldstein
4,742,826 A 5/1988 McLorg
4,782,196 A 11/1988 Ukai
4,807,753 A 2/1989 Goldstein
4,882,004 A 11/1989 Watson
5,050,497 A 9/1991 Klemm
5,083,488 A 1/1992 Stanley
5,230,701 A 7/1993 Meyer
5,397,298 A 3/1995 Mazza
5,496,605 A 3/1996 Augst
5,650,214 A 7/1997 Anderson

(Continued)

Primary Examiner — Catheri Oliver-Garcia
(74) *Attorney, Agent, or Firm* — Fitch, Even, Tabin & Flannery LLP

(57) **CLAIM**

I claim the ornamental design for a dispenser, as shown and described.

DESCRIPTION

FIG. 1 is a top perspective view showing a dispenser in accordance with our new design;
FIG. 2 is a bottom perspective view thereof;
FIG. 3 is a front elevational view thereof;
FIG. 4 is a rear elevational view thereof;
FIG. 5 is a top plan view thereof;
FIG. 6 is a bottom plan view thereof;
FIG. 7 is a left side elevation view thereof;
FIG. 8 is a right side elevational view thereof;
FIG. 9 is a reduced scale top perspective exploded view thereof;
FIG. 10 is a reduced scale bottom perspective exploded view thereof;
FIG. 11 is a front elevational exploded view thereof;
FIG. 12 is a rear elevational exploded view thereof;
FIG. 13 is a top plan exploded view thereof;
FIG. 14 is a bottom plan exploded view thereof;
FIG. 15 is a left side elevational exploded view thereof; and,
FIG. 16 is a right side elevational exploded view thereof.

1 Claim, 16 Drawing Sheets

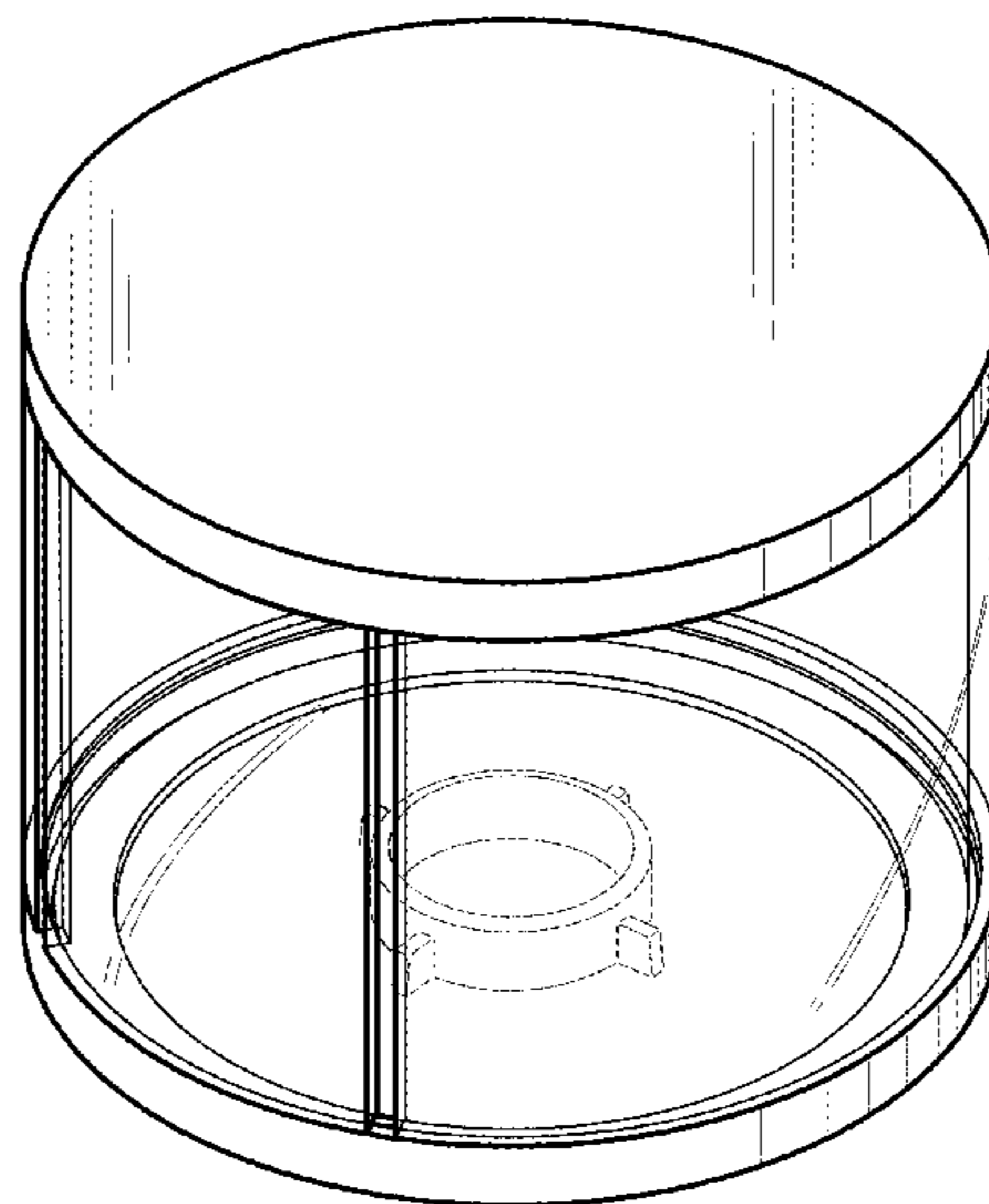
Related U.S. Application Data

- (63) Continuation of application No. 29/513,399, filed on Dec. 30, 2014, now Pat. No. Des. 765,389.
- (51) **LOC (10) Cl.** **03-01**
- (52) **U.S. Cl.**
USPC **D3/203.5; D9/734**
- (58) **Field of Classification Search**
USPC D3/203.1-205; 206/390, 440-441, 401, 206/540; D4/415, 418, 443, 501, 503, D4/734; 602/41, 52
CPC A61F 13/023; A61F 15/002
See application file for complete search history.

(56) **References Cited**

U.S. PATENT DOCUMENTS

- | | | |
|-------------|---------|-----------|
| D128,936 S | 8/1941 | Foley |
| 2,310,082 A | 2/1943 | Holbrooke |
| 2,349,709 A | 5/1944 | Evans |
| 2,399,545 A | 4/1946 | Davis |
| 2,940,868 A | 6/1960 | Patchell |
| 3,199,548 A | 8/1965 | Conant |
| 3,457,919 A | 7/1969 | Harbard |
| 3,530,494 A | 9/1970 | Baratta |
| 3,618,754 A | 11/1971 | Hoey |
| 4,428,808 A | 1/1984 | Weinert |



(56)

References Cited

U.S. PATENT DOCUMENTS

5,704,905 A	1/1998	Jensen	7,947,366 B2	5/2011	Ishiwatari
5,782,496 A	7/1998	Casper	D639,962 S	6/2011	Kase
5,782,786 A	7/1998	Tomaiuolo	D639,963 S	6/2011	Kase
5,792,091 A	8/1998	Staudinger	D639,964 S	6/2011	Kase
5,842,413 A	12/1998	Karlyn	D640,379 S	6/2011	Hope
5,861,348 A	1/1999	Kase	D641,083 S	7/2011	Kase
D408,626 S	4/1999	Lage	D649,254 S	11/2011	Kase
6,103,369 A	8/2000	Lucast	D649,255 S	11/2011	Kase
6,213,343 B1	4/2001	Damikolas	8,211,073 B2	7/2012	Dove
6,422,848 B1	7/2002	Allen	8,216,415 B2	7/2012	Quinn
6,495,229 B1	12/2002	Carte	8,323,773 B2	12/2012	Flanigan
6,726,386 B1	4/2004	Gruenbacher	D678,685 S	3/2013	Kase
6,756,519 B2	6/2004	Johnson	8,530,022 B2	9/2013	Fabo
6,953,602 B2	10/2005	Carte	D699,593 S	2/2014	Boon
7,012,170 B1	3/2006	Tomaiuolo	D765,389 S	9/2016	Martin
7,146,893 B2	12/2006	Aichele	2007/0218269 A1	9/2007	Kato
7,220,889 B2	5/2007	Sigurjonsson	2009/0259192 A1	10/2009	Fabo
7,309,809 B2	12/2007	Smith	2010/0098846 A1	4/2010	Ding
D561,943 S	2/2008	Desdoigts	2010/0210987 A1	8/2010	Lu
7,608,090 B2	10/2009	Matsui	2010/0298747 A1	11/2010	Quinn
D621,051 S	8/2010	Kase	2010/0324511 A1	12/2010	Dove
D621,052 S	8/2010	Kase	2011/0271854 A1	11/2011	Quinn
D621,053 S	8/2010	Kase	2011/0275969 A1	11/2011	Quinn
D621,054 S	8/2010	Kase	2011/0276040 A1	11/2011	Quinn
7,902,420 B2	3/2011	Kase	2012/0232448 A1	9/2012	Wust
			2012/0295054 A1	11/2012	Hope
			2013/0310774 A1	11/2013	Kase
			2014/0102632 A1	4/2014	Quinn

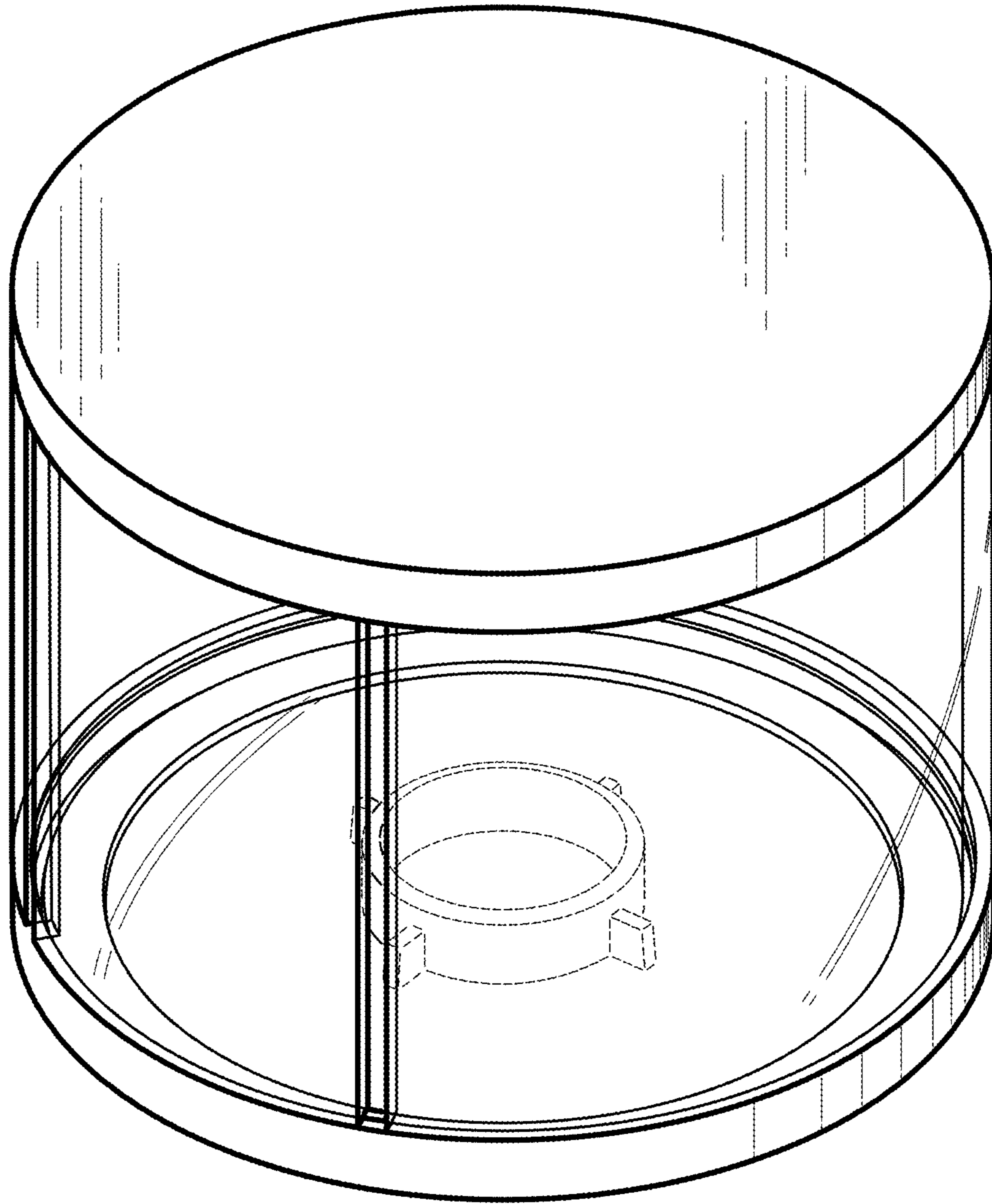


FIG. 1

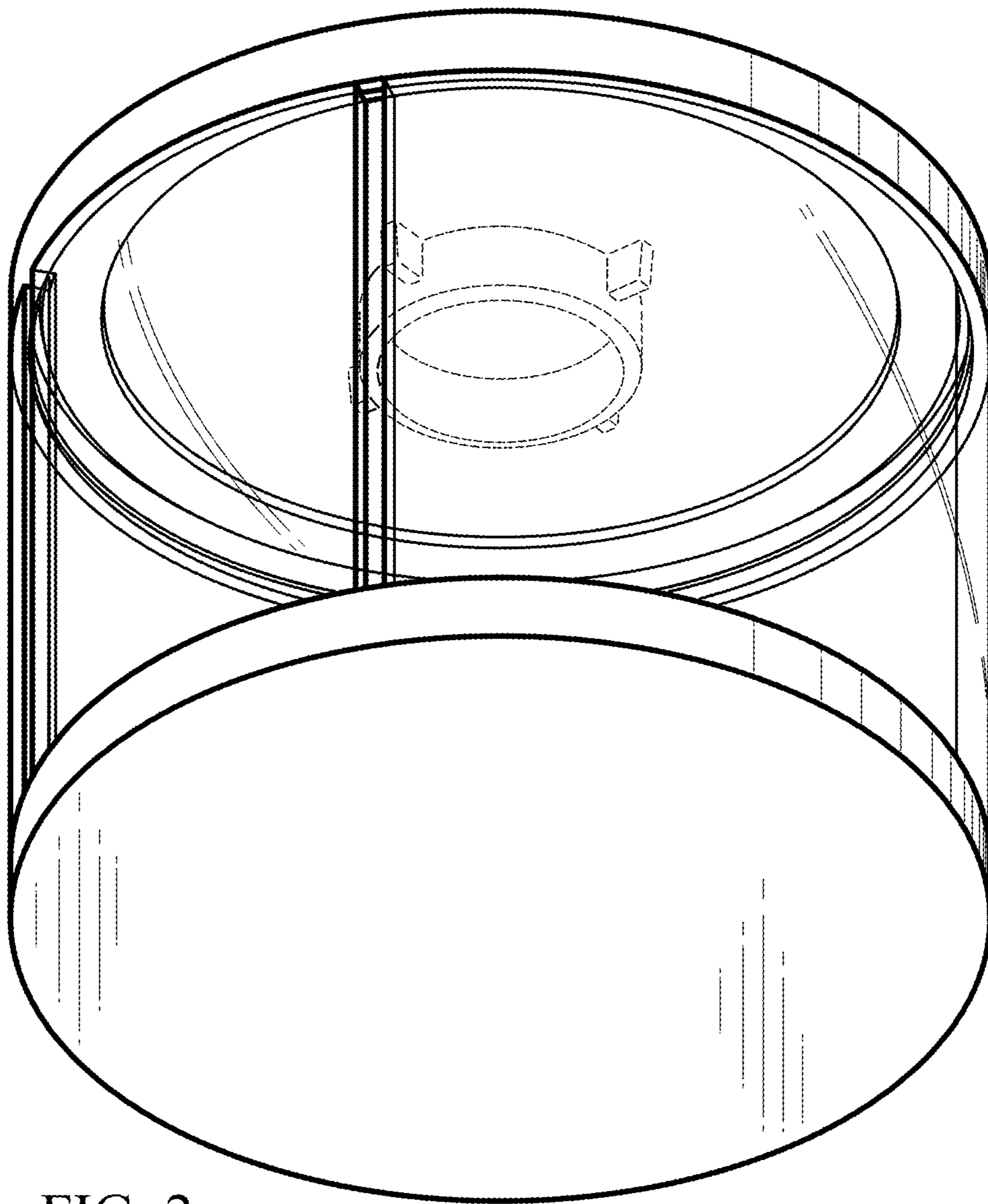


FIG. 2

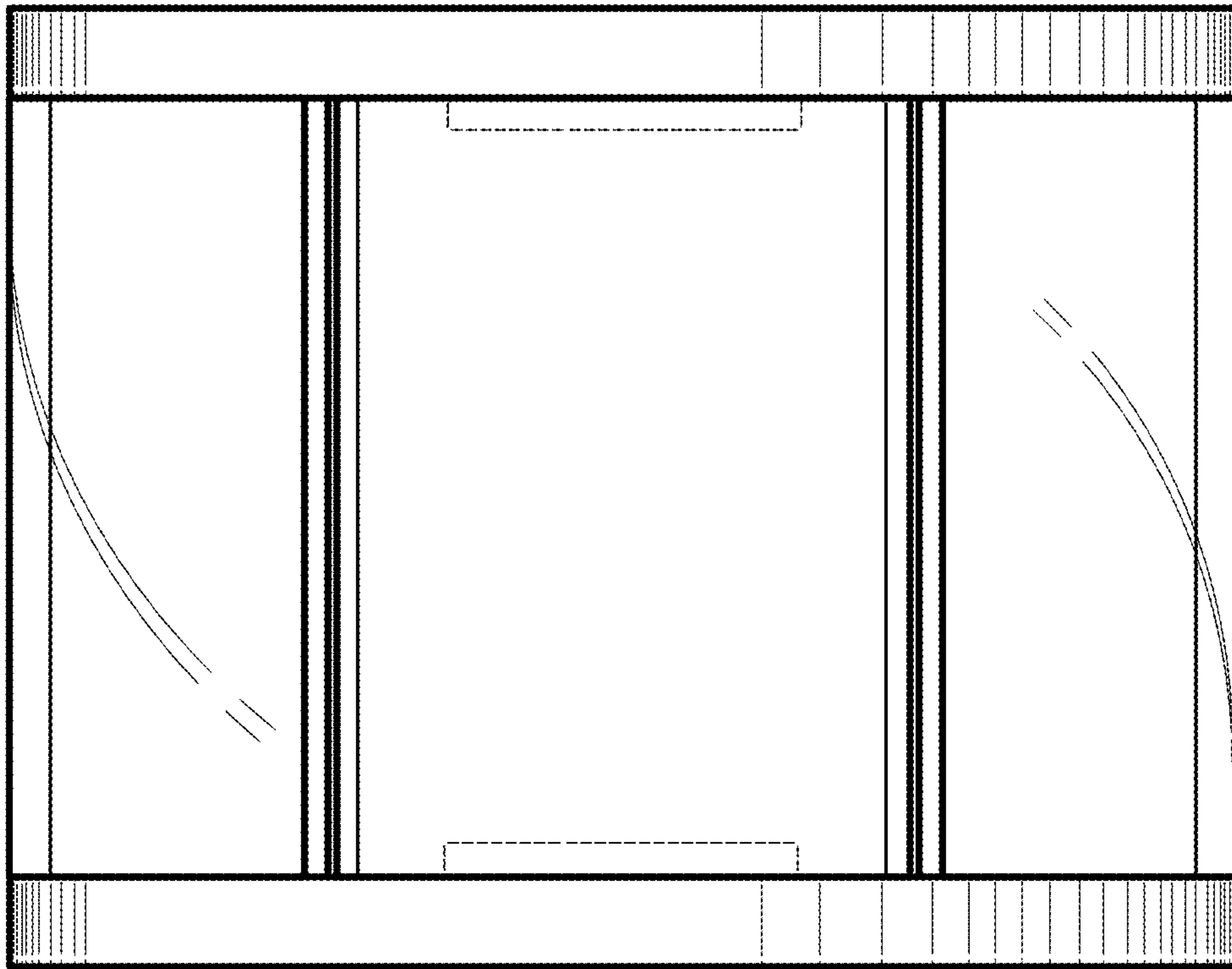


FIG. 3

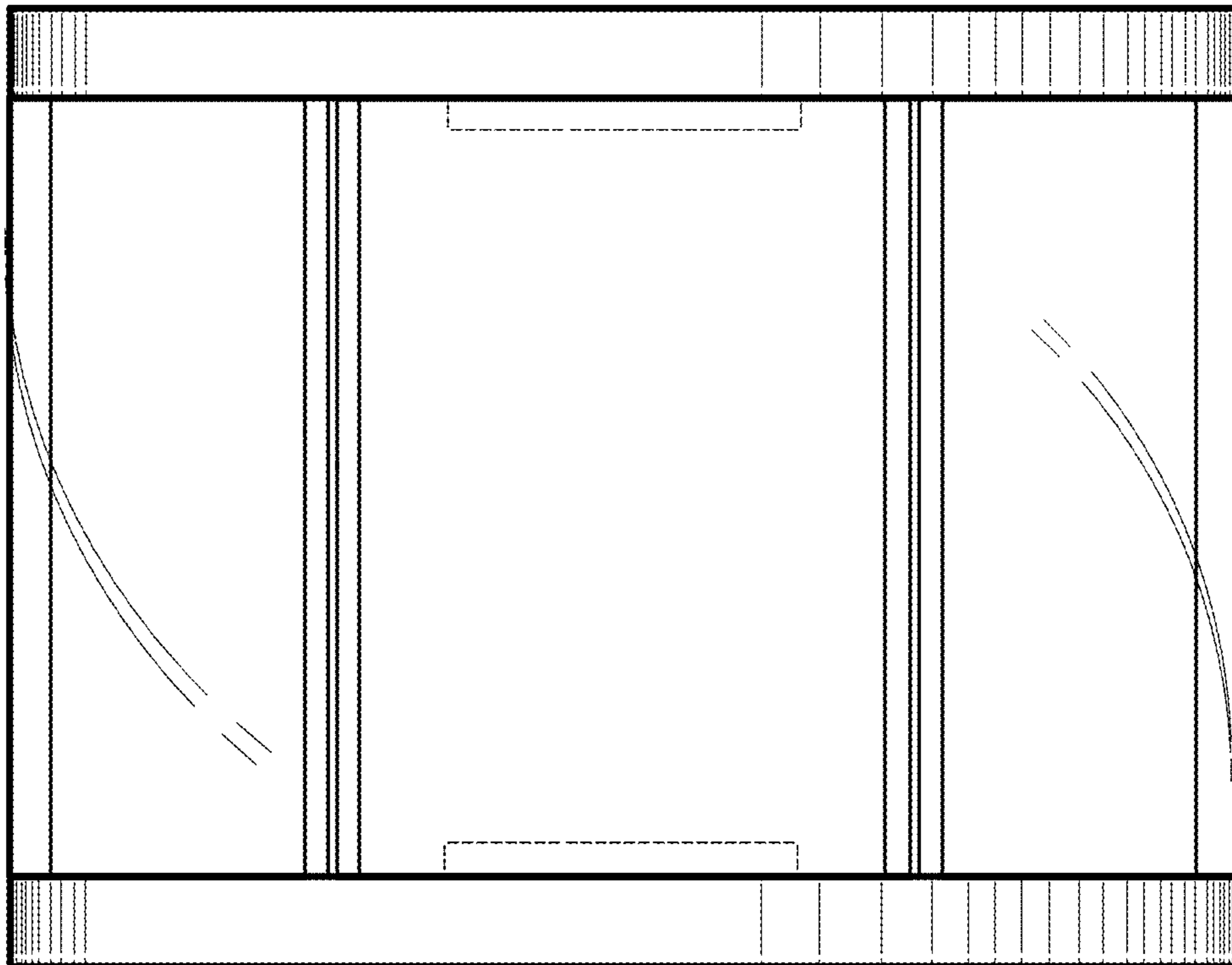


FIG. 4

Fig. 5

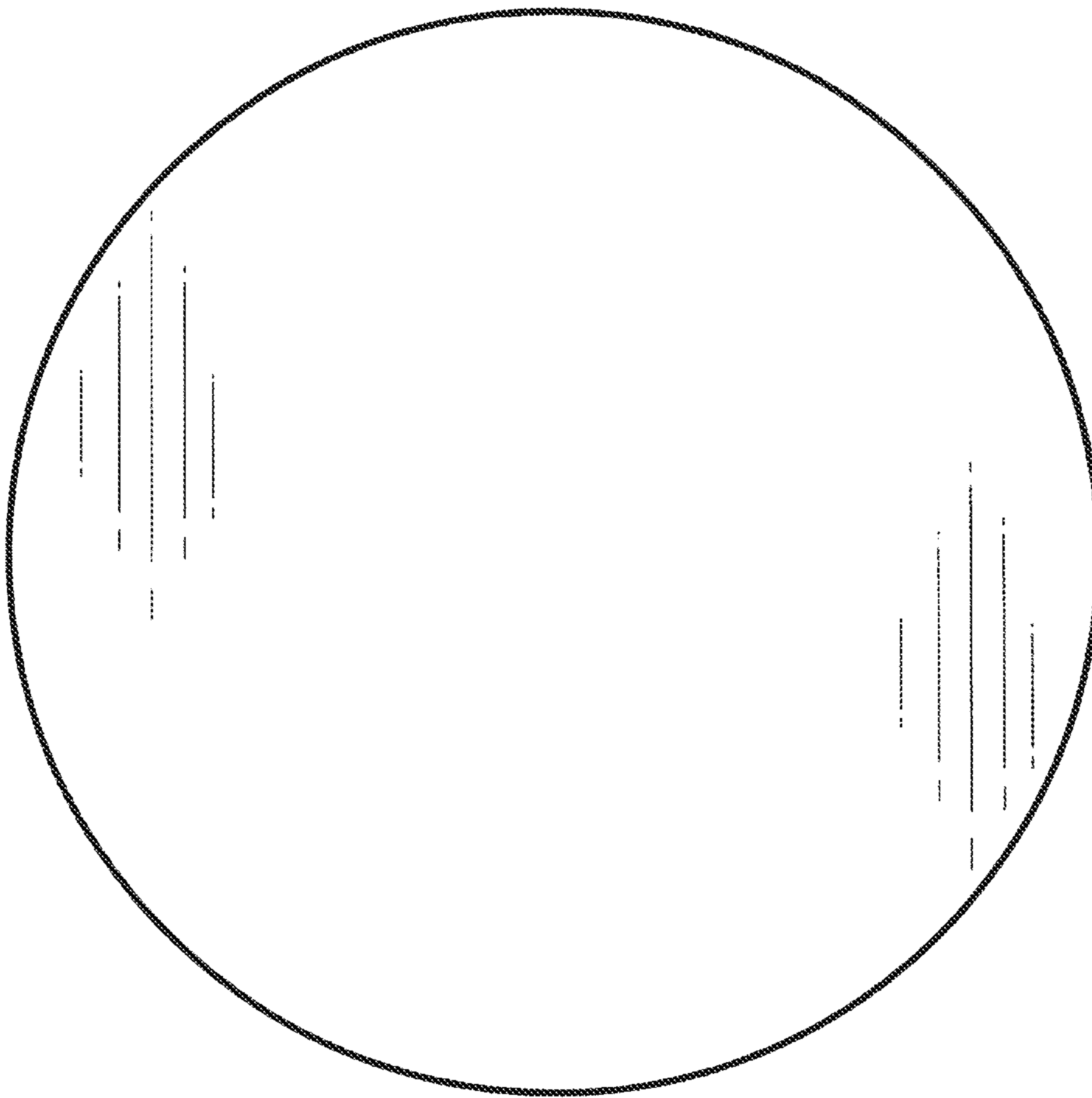
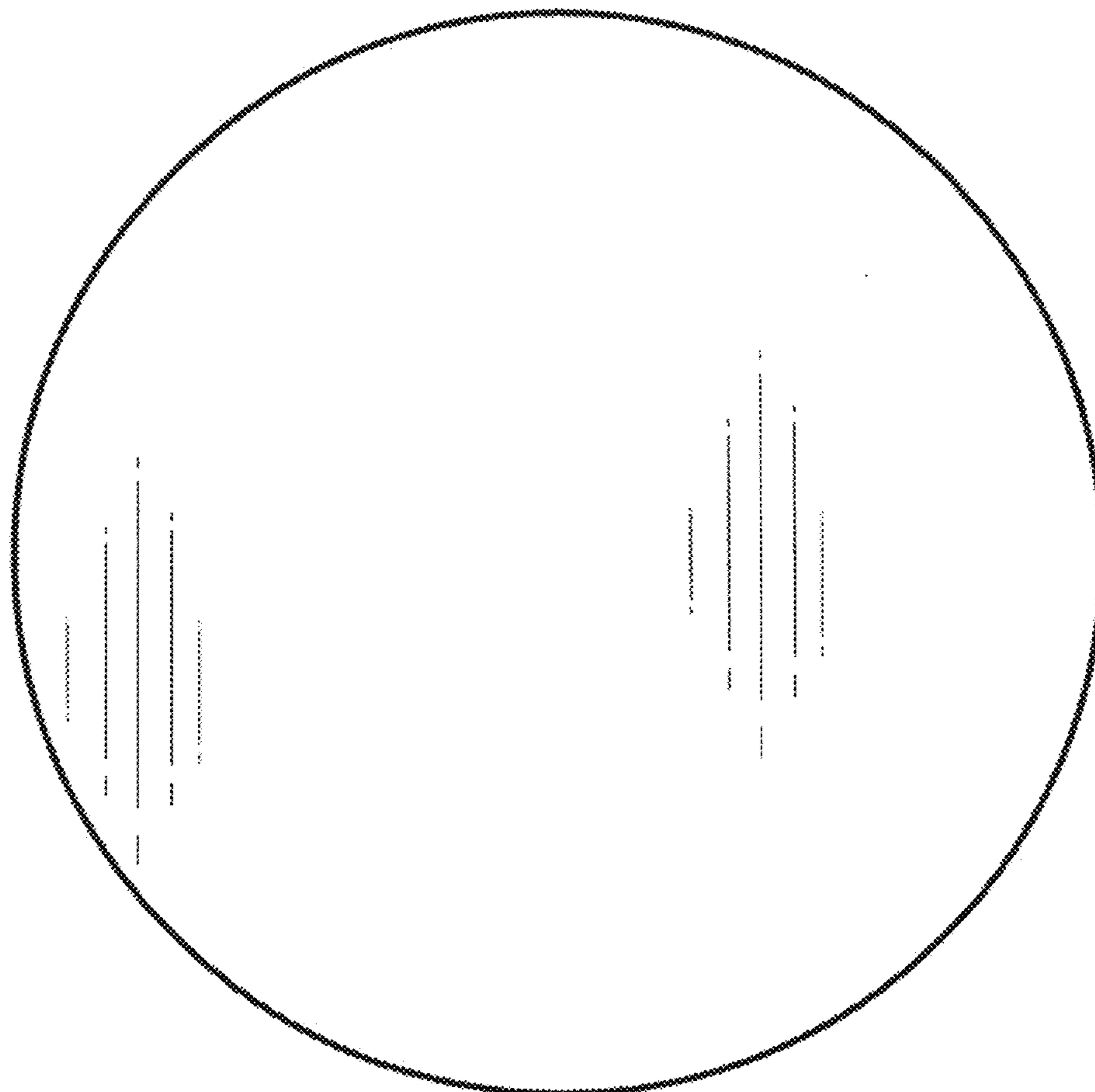


Fig. 6



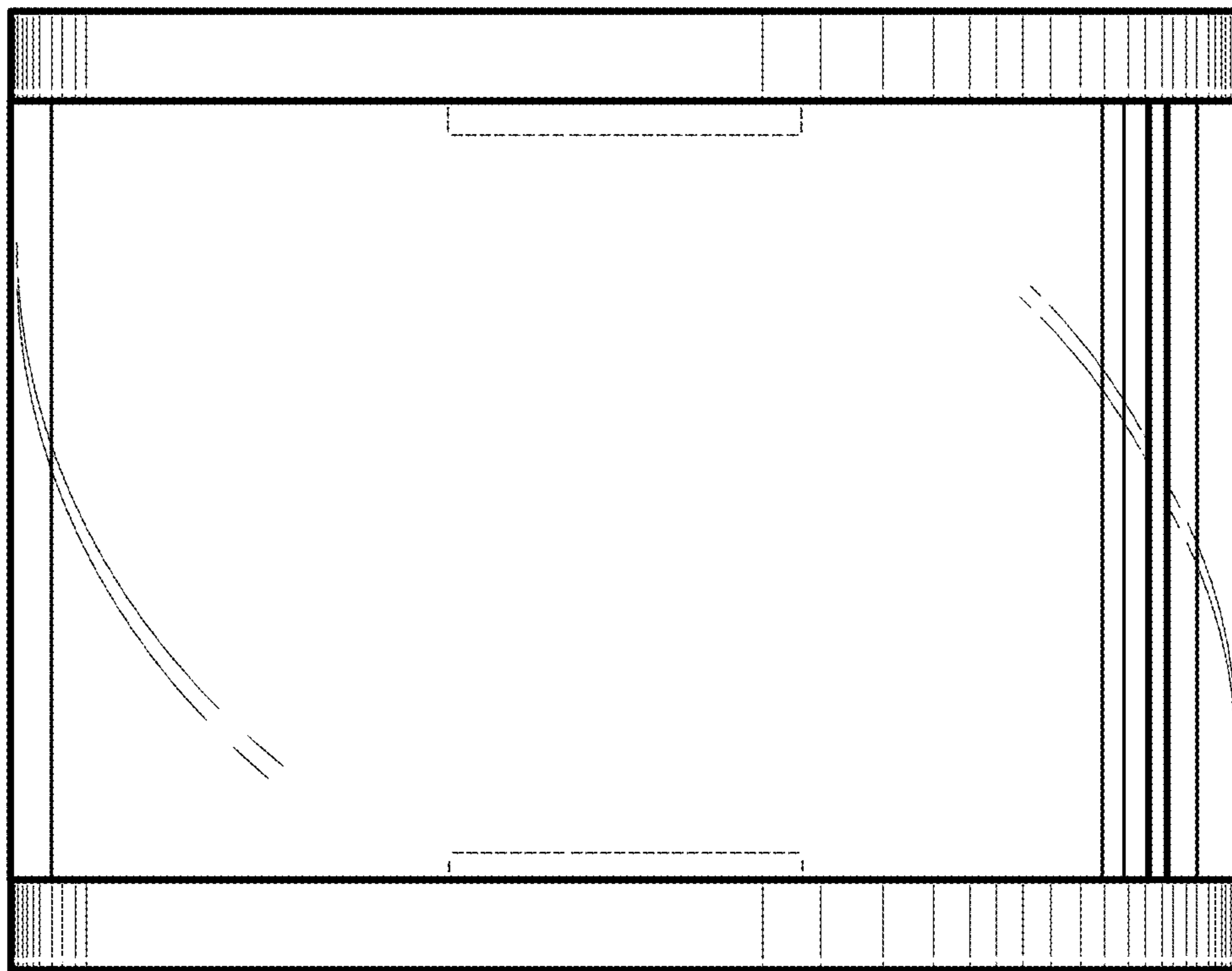


FIG. 7

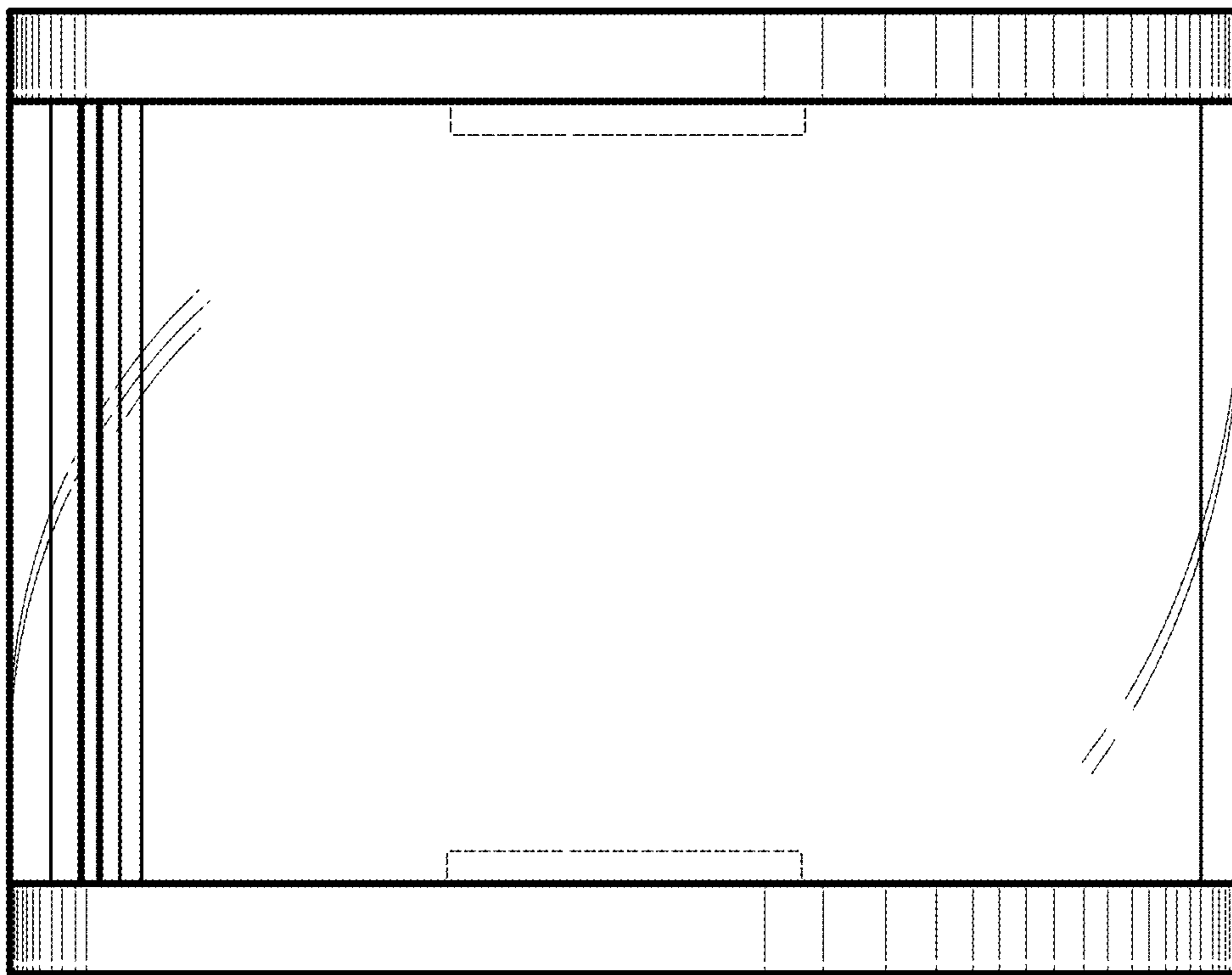


FIG. 8

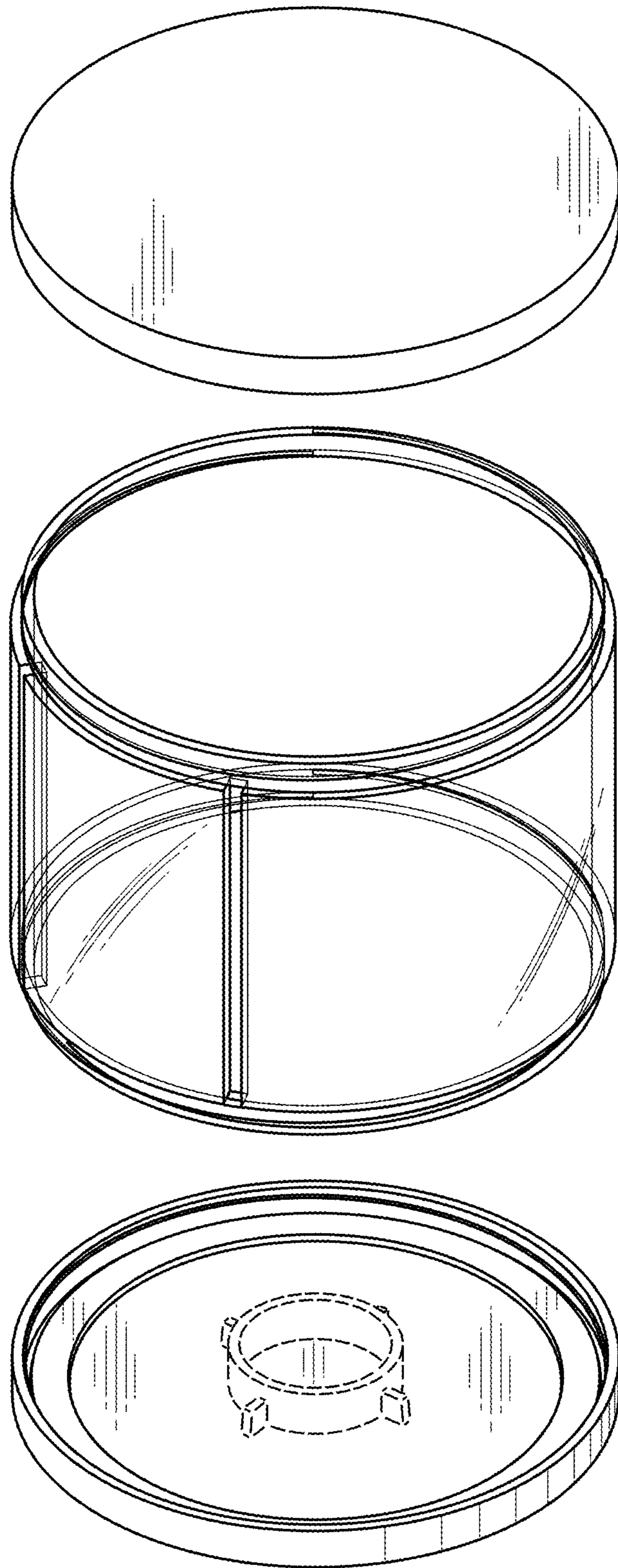


FIG. 9

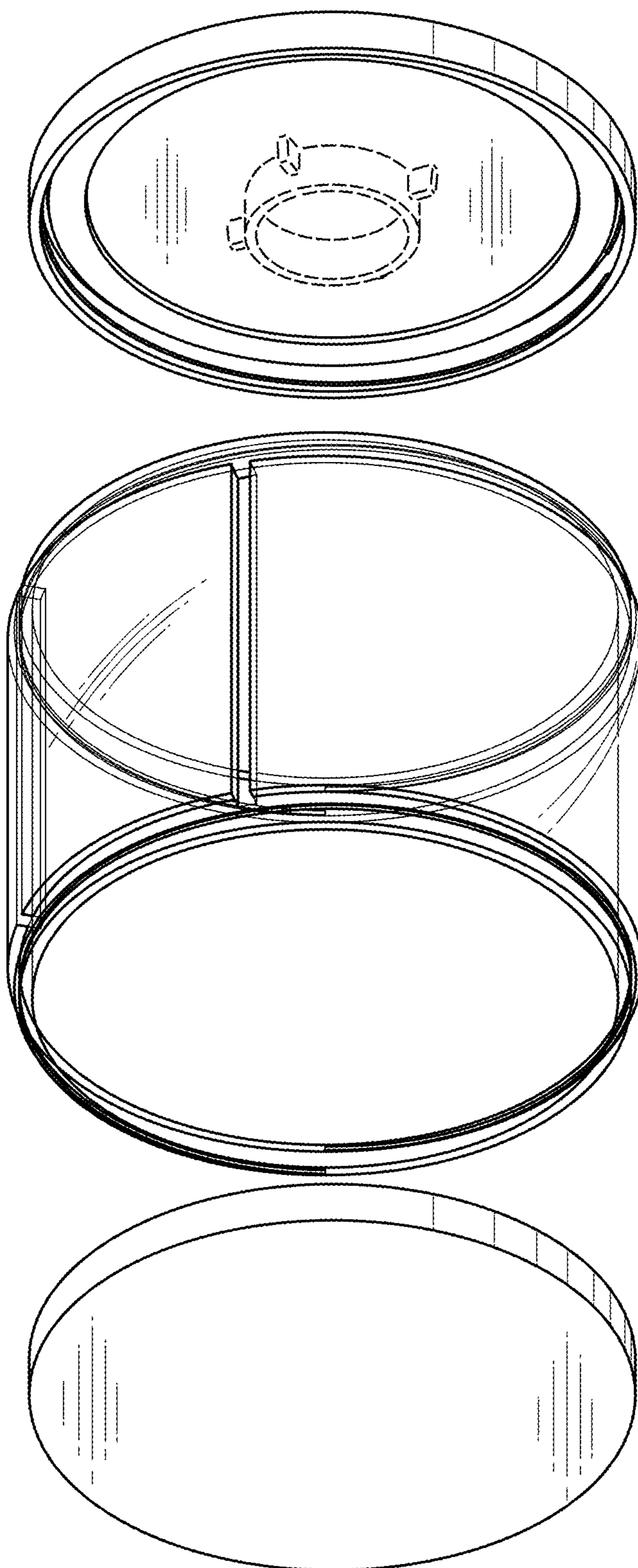


FIG. 10

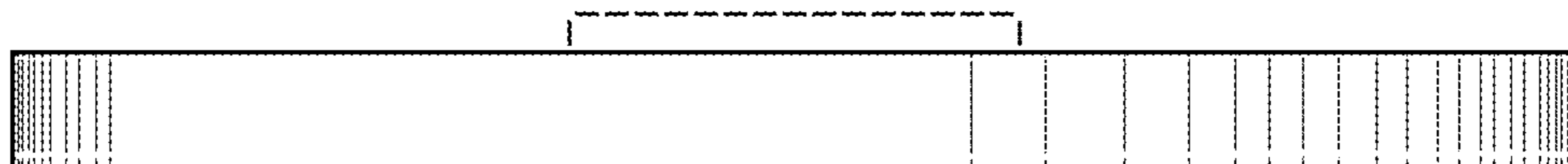
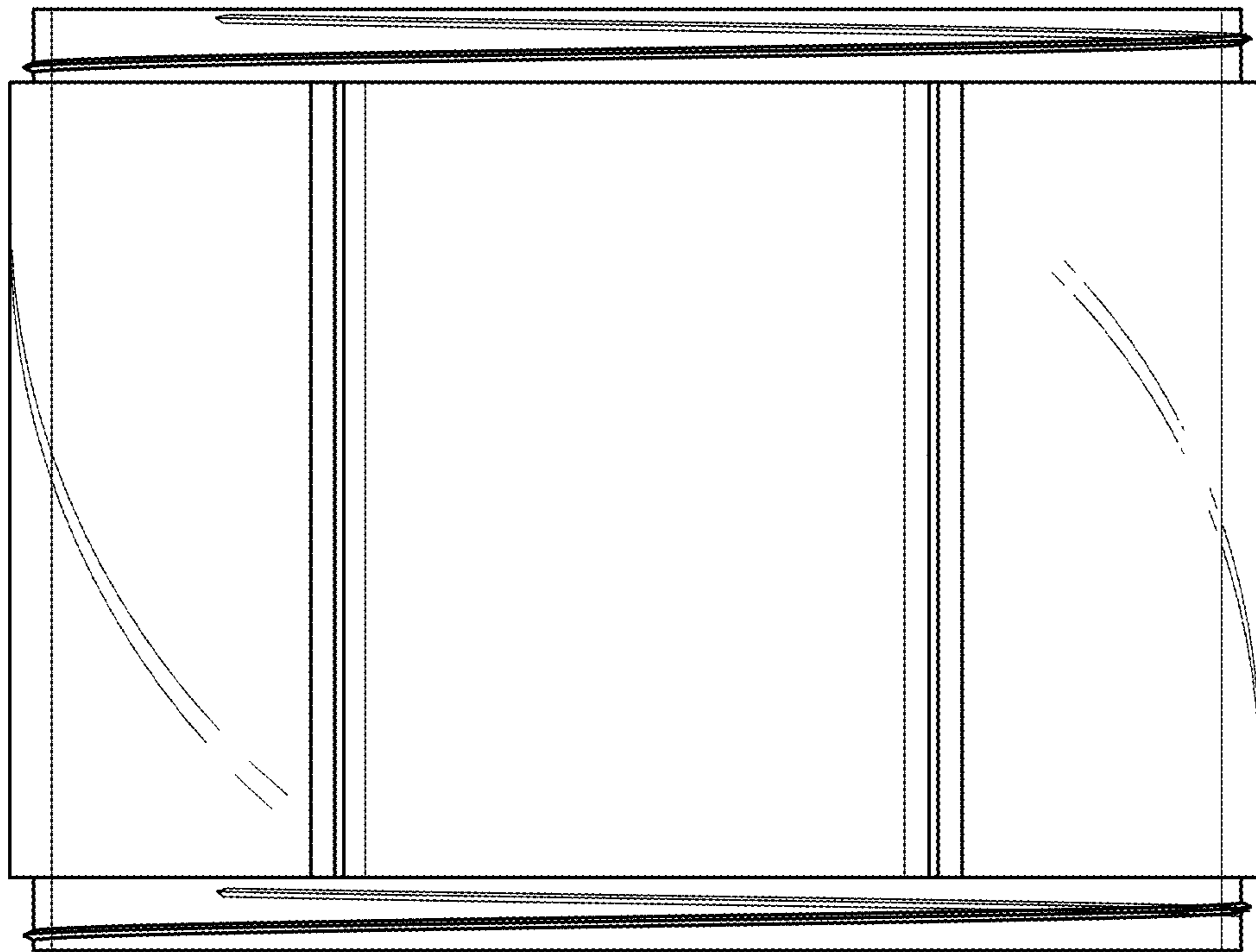


FIG. 11

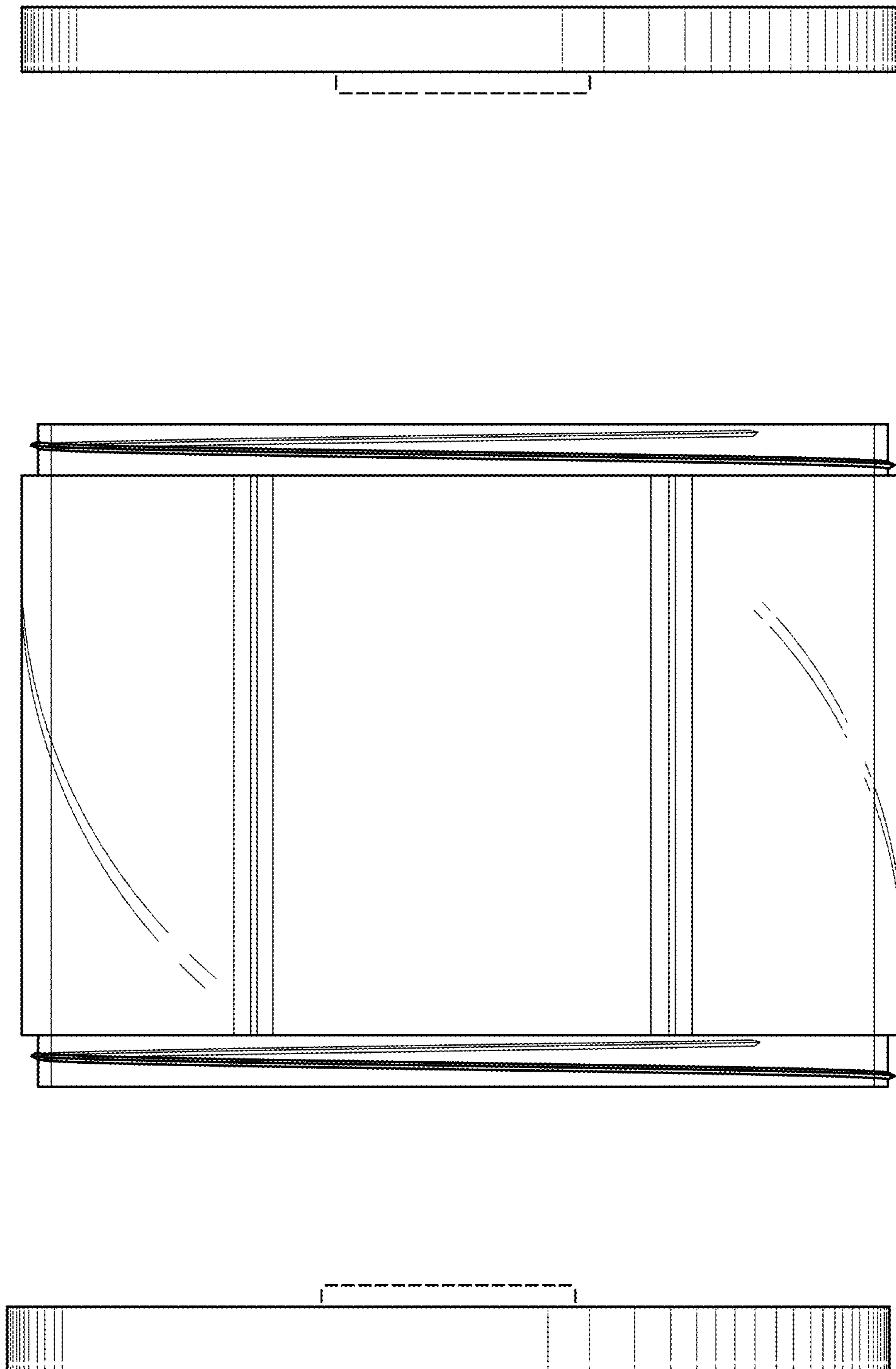


FIG. 12

Fig. 13

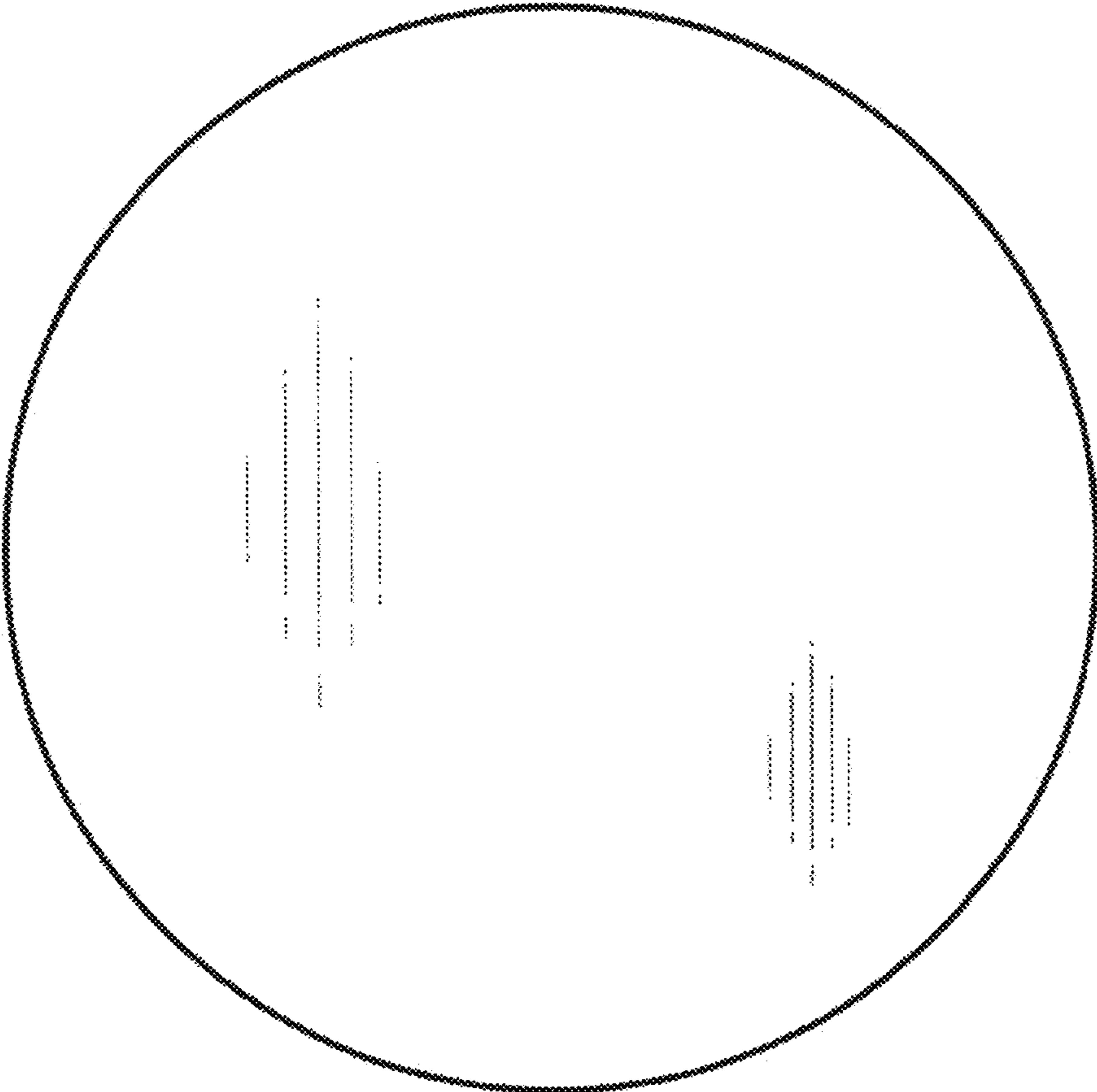
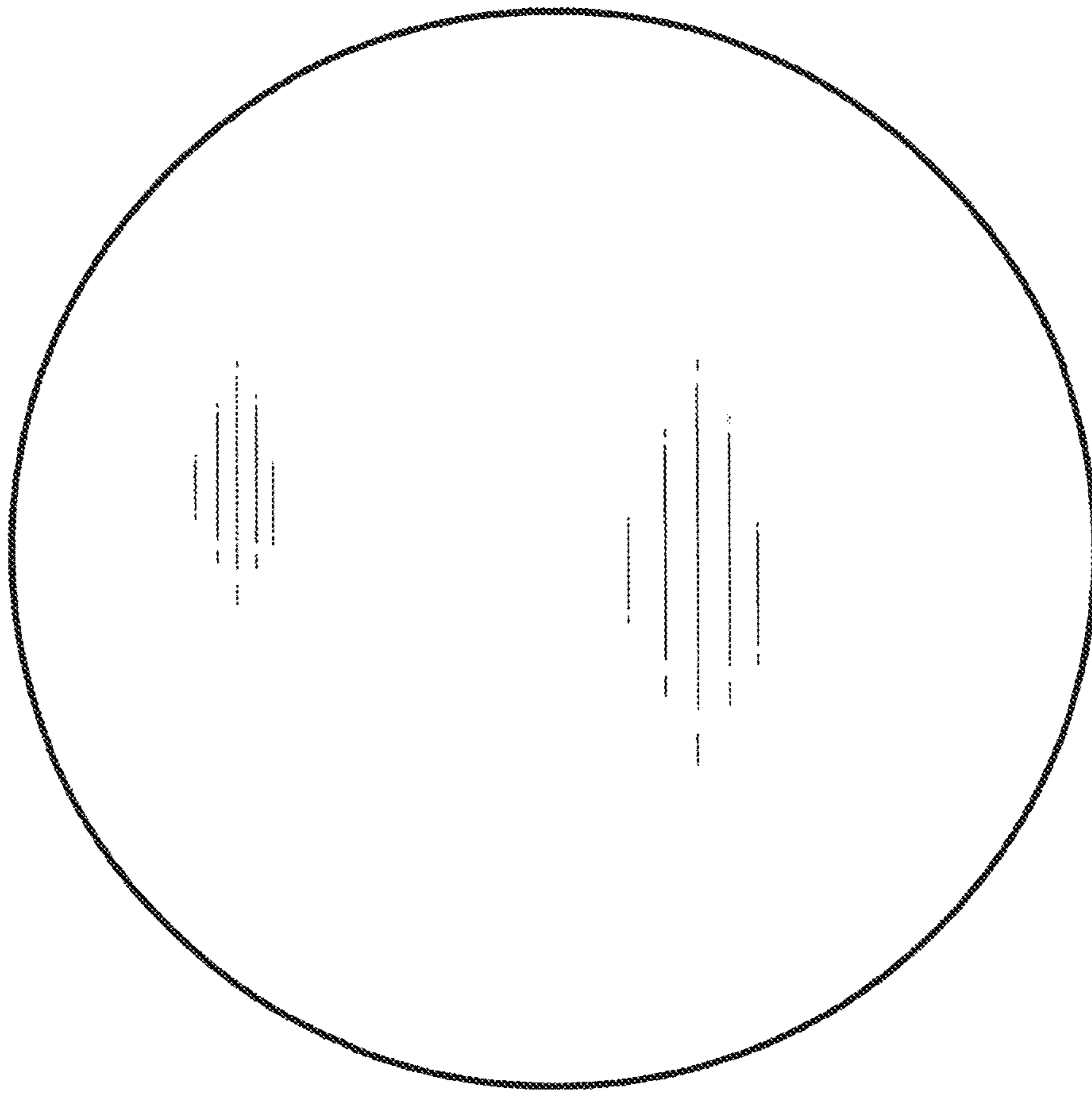


Fig. 14



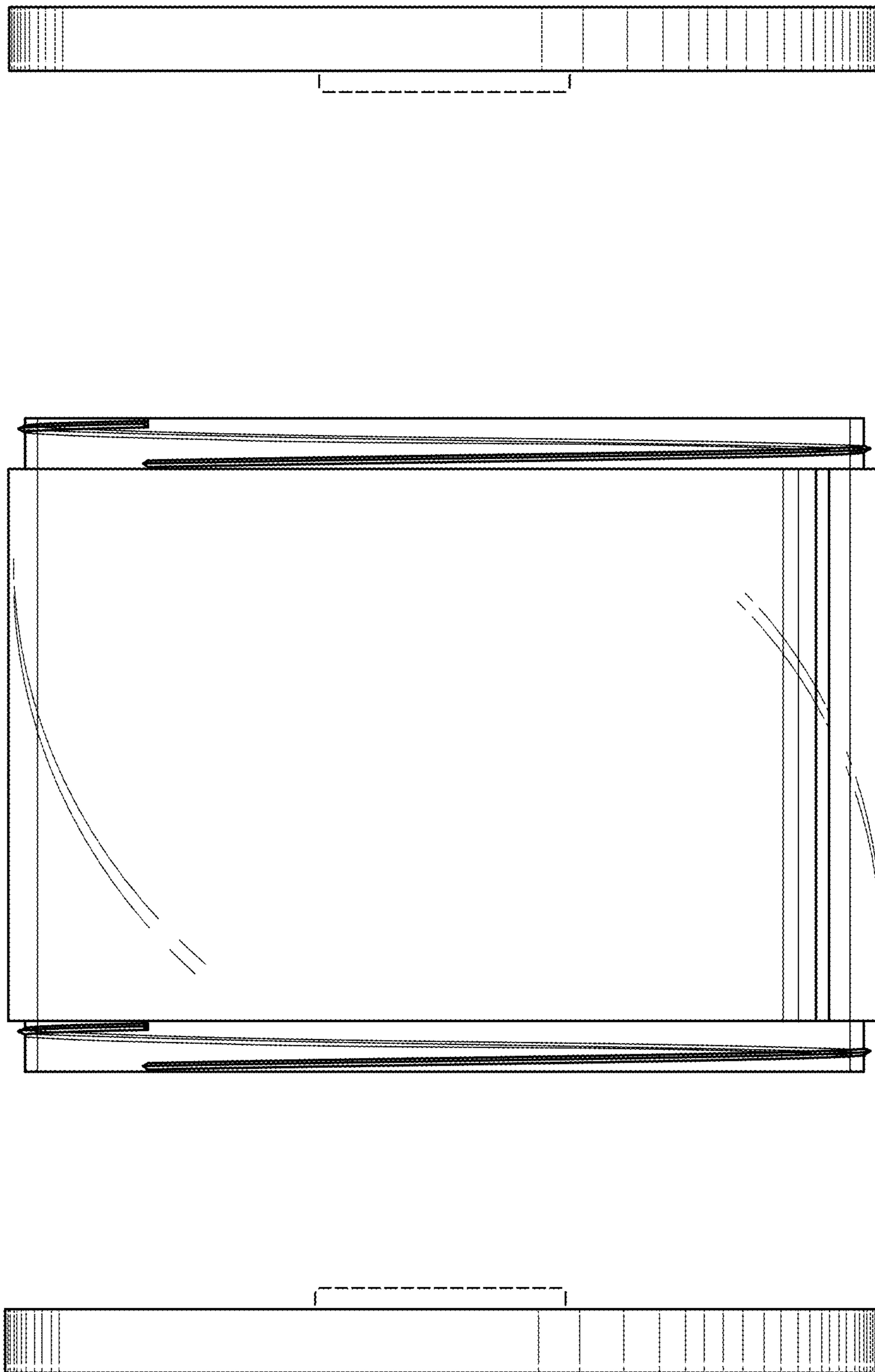


FIG. 15

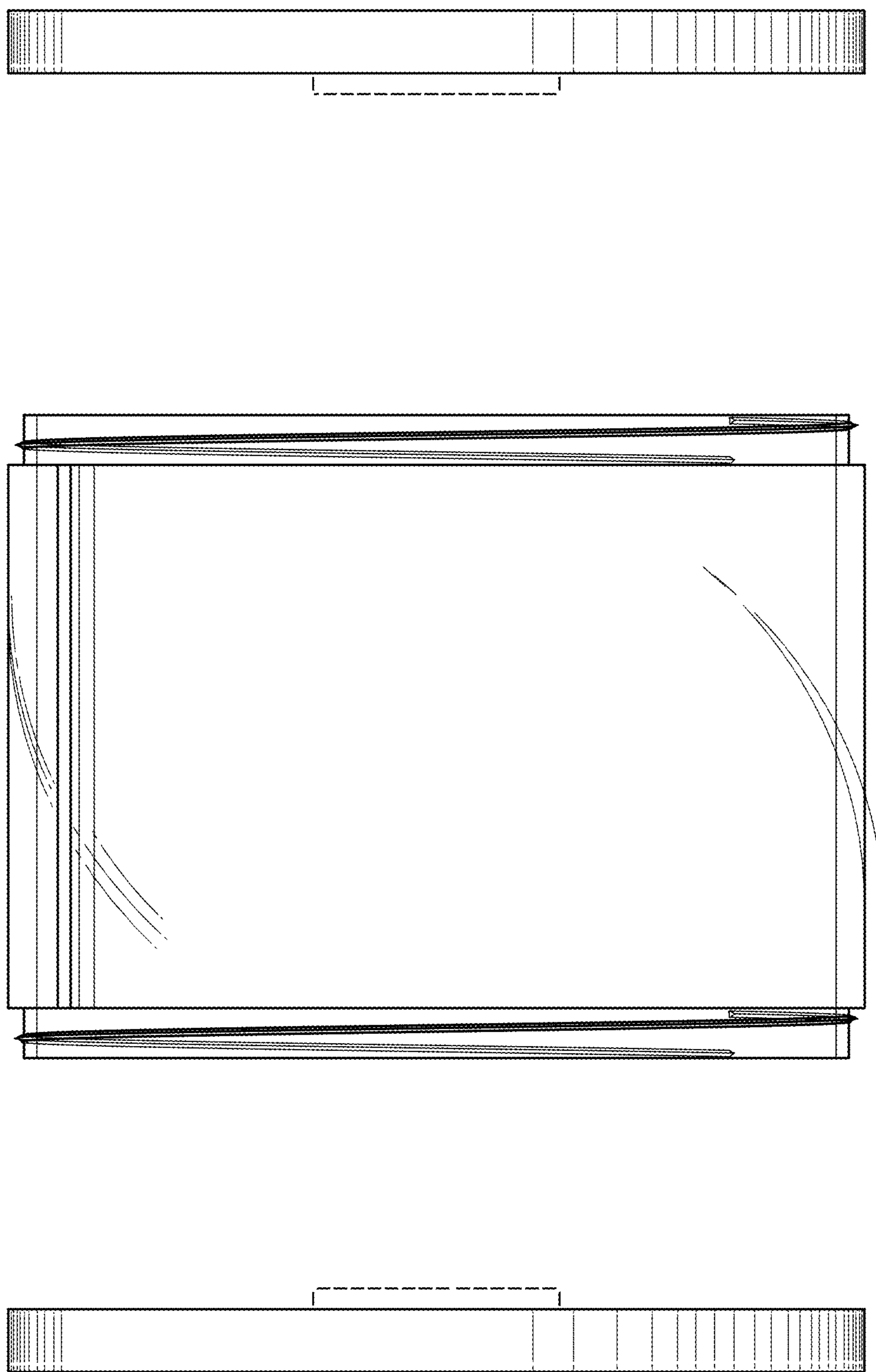


FIG. 16