

US00D794943S

(12) **United States Design Patent** (10) **Patent No.:** **US D794,943 S**  
**Schlang** (45) **Date of Patent:** **\*\* Aug. 22, 2017**

(54) **CONCEALABLE PERSONAL DEFENSE  
SPRAY CANISTER HOLDER**

D649,777 S \* 12/2011 Tyybakinoja ..... D3/203.1  
D778,043 S \* 2/2017 Hill ..... D3/215  
D789,681 S \* 6/2017 Grisamore ..... D3/215

(71) Applicant: **Richard Jay Schlang**, Battle Ground,  
WA (US)

\* cited by examiner

(72) Inventor: **Richard Jay Schlang**, Battle Ground,  
WA (US)

*Primary Examiner* — Catherine R Oliver-Garcia  
(74) *Attorney, Agent, or Firm* — Underwood &  
Associates, LLC

(\*\*) Term: **15 Years**

(57) **CLAIM**

(21) Appl. No.: **29/534,102**

The ornamental design for a concealable personal defense  
spray canister holder, as shown and described.

(22) Filed: **Jul. 26, 2015**

(51) **LOC (10) Cl.** ..... **03-01**

(52) **U.S. Cl.**  
USPC ..... **D3/201; D3/215**

(58) **Field of Classification Search**  
USPC ..... D3/201, 215, 208–212, 203.1; 222/47,  
222/153.11, 175, 182–183, 402.1, 153.1;  
42/1.08; 224/148.5, 148.7, 196, 246, 674,  
224/669, 240, 683, 914  
CPC ..... A45F 5/021; B65D 83/384; F41B 15/04;  
F41H 9/10; F41H 13/0018  
See application file for complete search history.

**DESCRIPTION**

FIG. 1 is an exploded perspective view of a concealable  
personal defense spray canister holder showing my new  
design;

FIG. 2 is an exploded front elevation view thereof;

FIG. 3 is an exploded rear elevation view thereof;

FIG. 4 is an exploded right-side elevation view thereof;

FIG. 5 is an exploded left-side elevation view thereof;

FIG. 6 is a top plan view thereof; and,

FIG. 7 is a bottom plan view thereof.

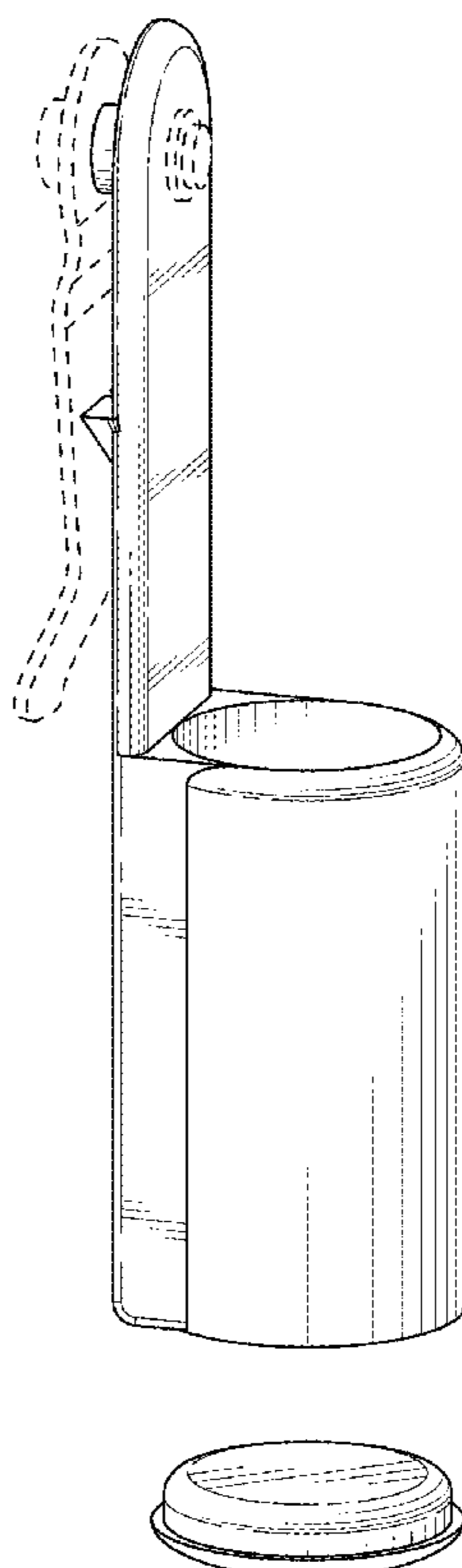
A clip extending from the top of the holder to about the  
mid-section and a clip fastener are shown in dashed lines to  
illustrate a canister holder securement member and forms no  
part of the claimed design. A bottom cap portion is shown  
displaced from the bottom of the canister holder by dashed  
lines for clarity of the illustration.

(56) **References Cited**

**U.S. PATENT DOCUMENTS**

5,111,968 A \* 5/1992 Wilkerson ..... F41H 9/10  
222/175  
D501,311 S \* 2/2005 Passmore ..... D3/208

**1 Claim, 3 Drawing Sheets**



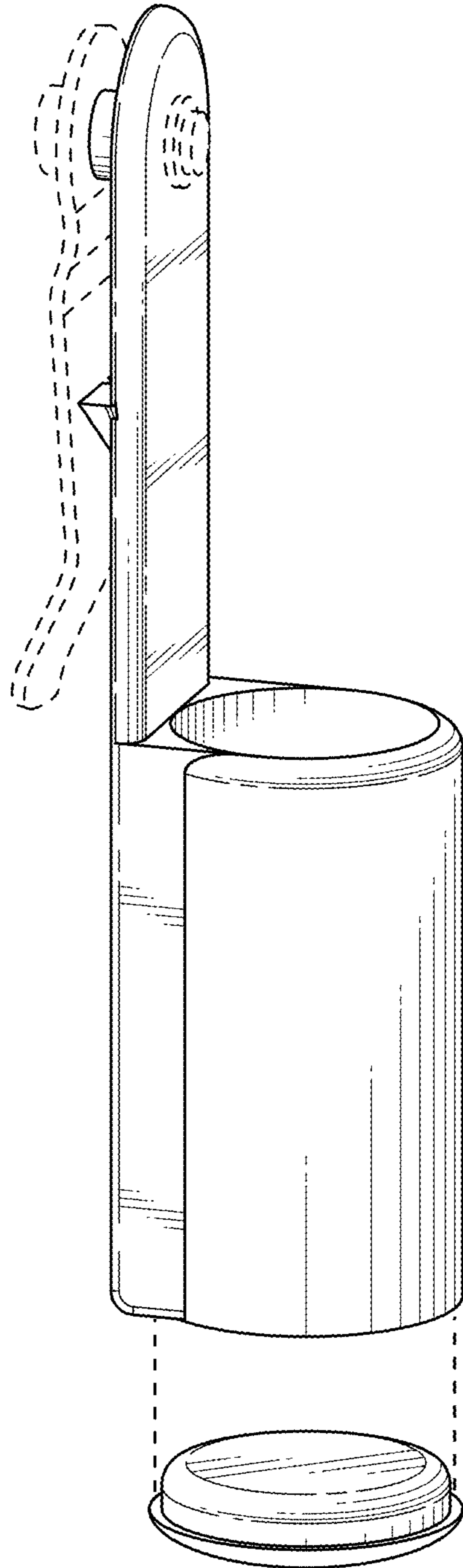


FIG. 1

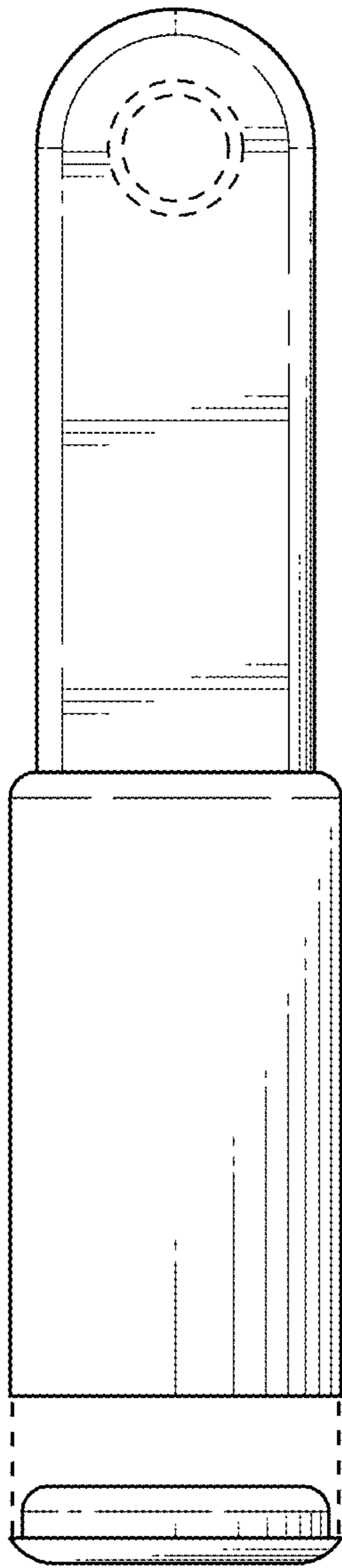


FIG. 2

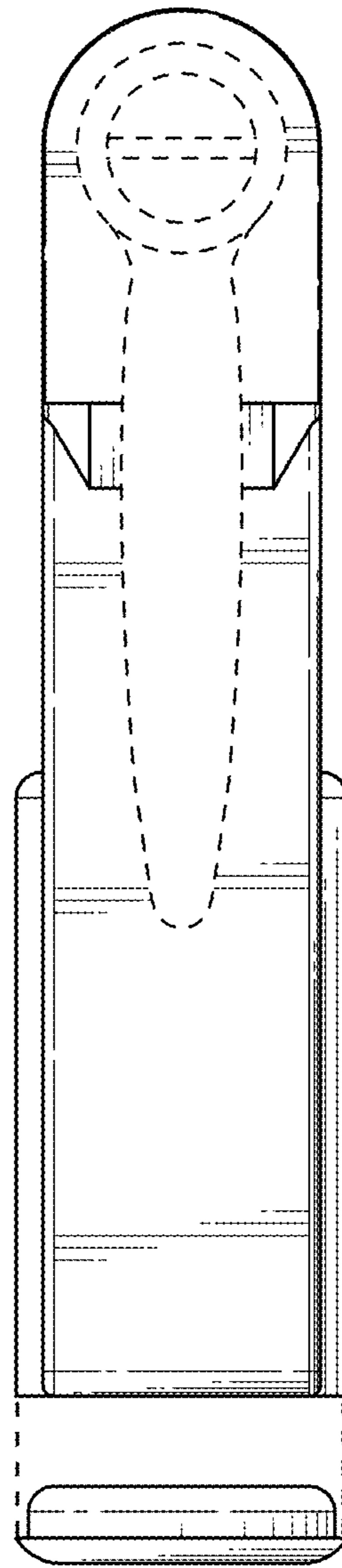


FIG. 3

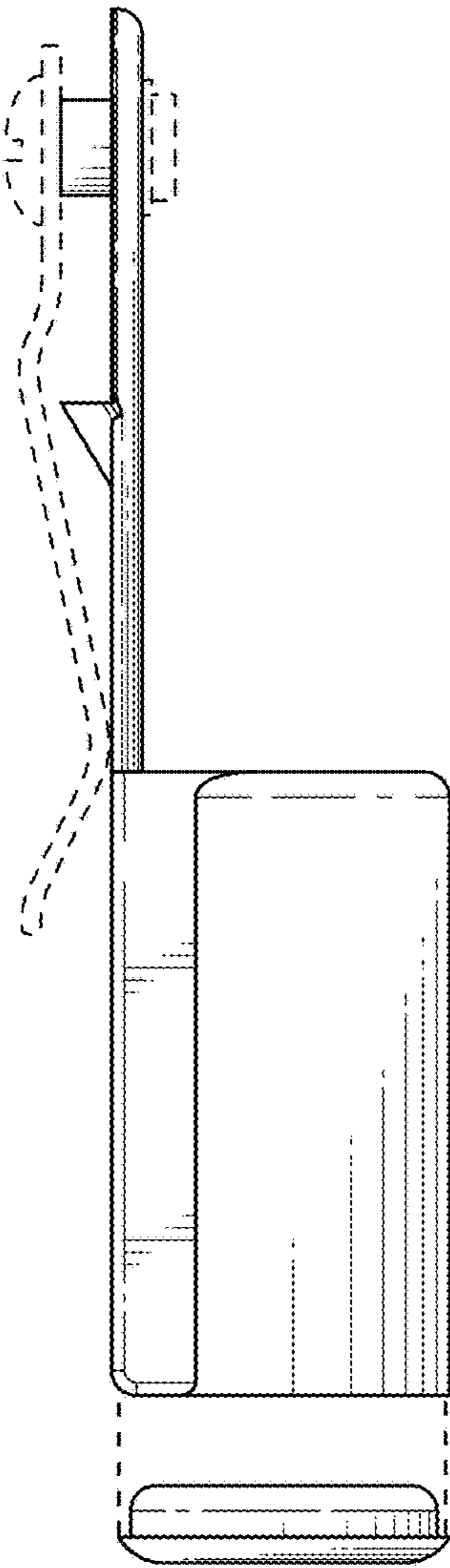


FIG. 4

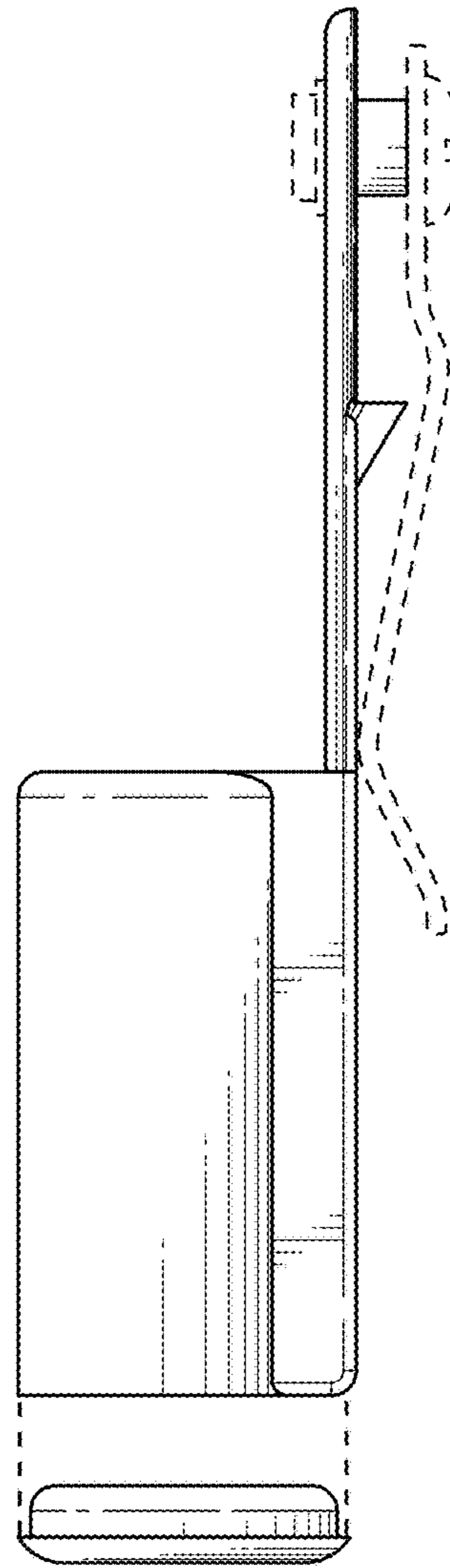


FIG. 5

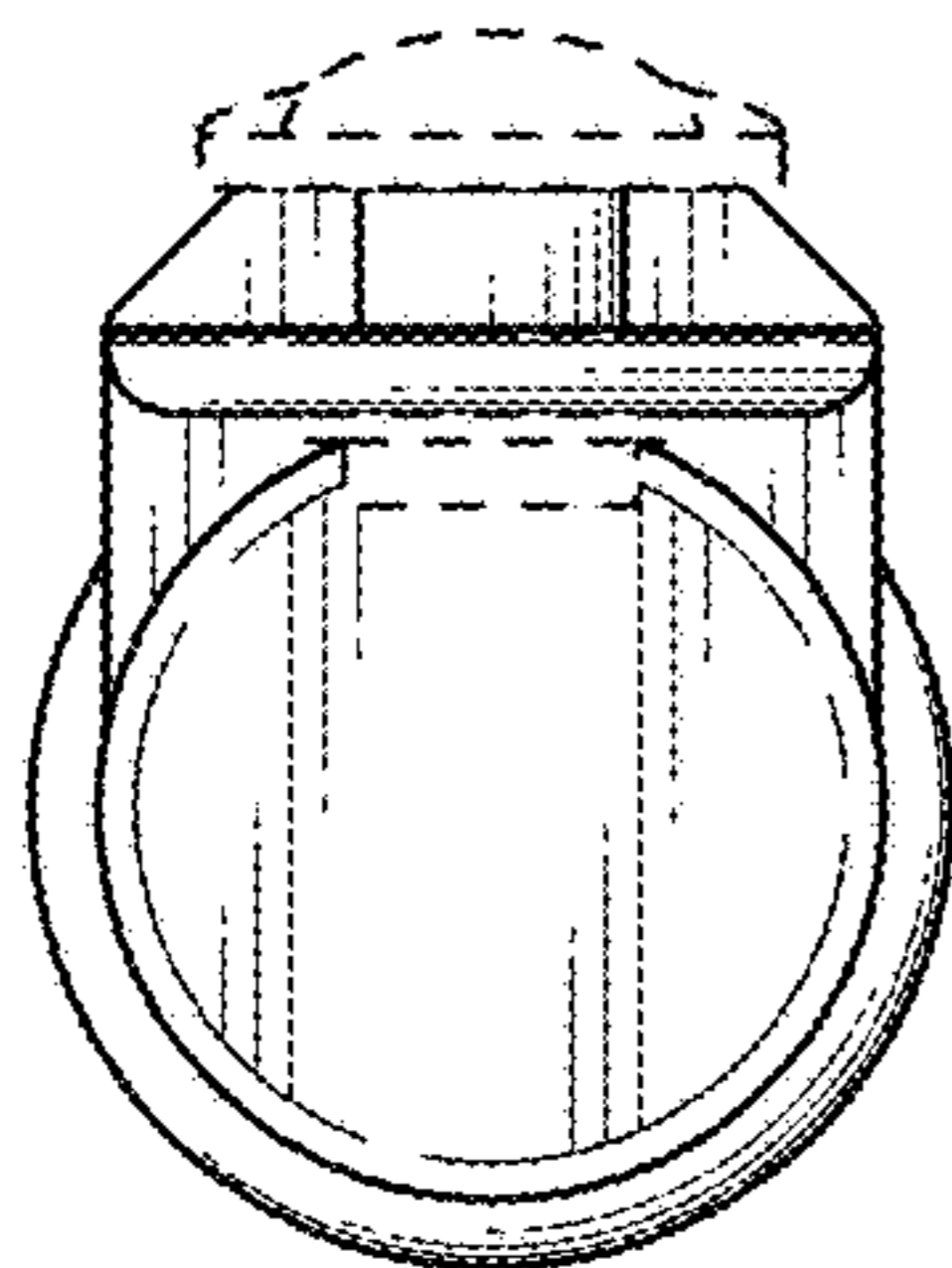


FIG. 6

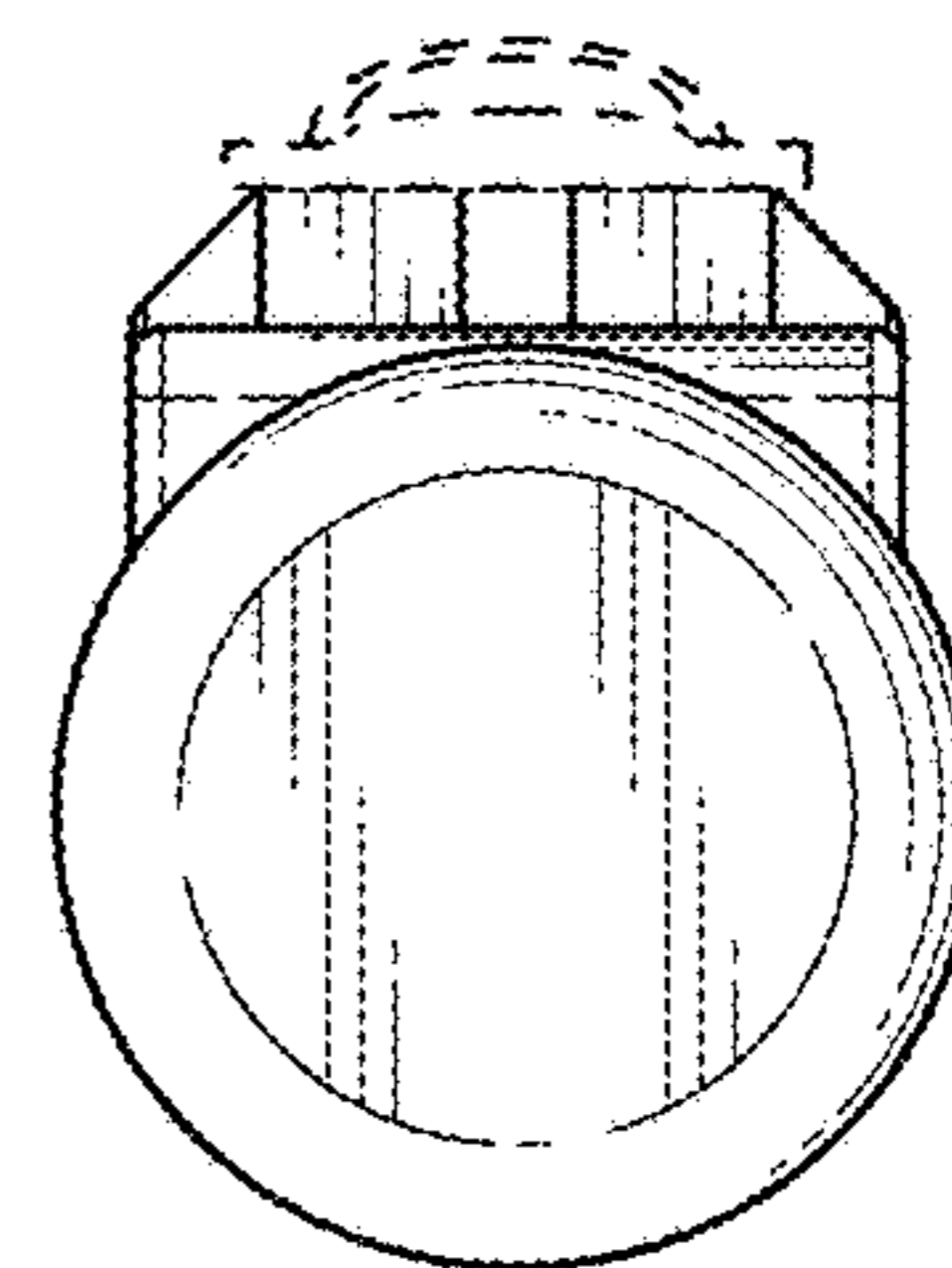


FIG. 7