



US00D794935S

(12) **United States Design Patent**
Dallas

(10) **Patent No.:** **US D794,935 S**

(45) **Date of Patent:** **** Aug. 22, 2017**

(54) **BOOT**

(71) Applicant: **Red Wing Shoe Company, Inc.**, Red Wing, MN (US)

(72) Inventor: **Jason Allen Dallas**, Ellsworth, WI (US)

(73) Assignee: **Red Wing Shoe Company, Inc.**, Red Wing, MN (US)

(**) Term: **15 Years**

(21) Appl. No.: **29/551,581**

(22) Filed: **Jan. 14, 2016**

D441,181 S	5/2001	Morgan	
D485,976 S	2/2004	Maatita	
D487,186 S *	3/2004	Maatita	D2/972
D508,767 S	8/2005	Hatfield	
D533,339 S *	12/2006	Edwards	D2/972
D548,444 S	8/2007	Covatch	
D575,043 S *	8/2008	Hatfield	D2/969
D575,490 S	8/2008	Hatfield	
D603,154 S *	11/2009	Nakano	D2/972
8,230,525 B2	7/2012	Lambertz	
D670,071 S	11/2012	Meyer	
D690,498 S	10/2013	Anderson	
D695,508 S	12/2013	Earle	
D704,928 S *	5/2014	Roundhouse	D2/970
D747,078 S *	1/2016	Feller	D2/910
D772,555 S *	11/2016	Kirschner	D2/972

* cited by examiner

Related U.S. Application Data

(62) Division of application No. 29/511,941, filed on Dec. 15, 2014, now Pat. No. Des. 750,363.

(51) **LOC (10) Cl.** **02-04**

(52) **U.S. Cl.**
USPC **D2/970**

(58) **Field of Classification Search**
USPC D2/896, 902, 906-908, 943, 944, 946,
D2/969, 970, 972-974
CPC A43B 7/32; A43B 3/02; A43B 3/16; A43B
23/00; A43B 23/02
See application file for complete search history.

(56) **References Cited**

U.S. PATENT DOCUMENTS

3,091,871 A	6/1963	Tronche	
3,545,107 A *	12/1970	Cinquegrana	A43B 3/02 36/105
D282,599 S *	2/1986	Frey	D2/911

Primary Examiner — Holly Baynham

Assistant Examiner — Rashida C Walshon

(74) *Attorney, Agent, or Firm* — Merchant & Gould, P.C.

(57) **CLAIM**

The ornamental design for a boot, as shown and described.

DESCRIPTION

FIG. 1 is a rear perspective view of a boot showing my new design;
FIG. 2 is a front view thereof;
FIG. 3 is a rear view thereof;
FIG. 4 is a first side view thereof;
FIG. 5 is a second side view thereof; and,
FIG. 6 is a front perspective view thereof.
The dash-dash broken lines shown in the drawings represent unclaimed environment only, forming no part of the claimed design.

1 Claim, 6 Drawing Sheets

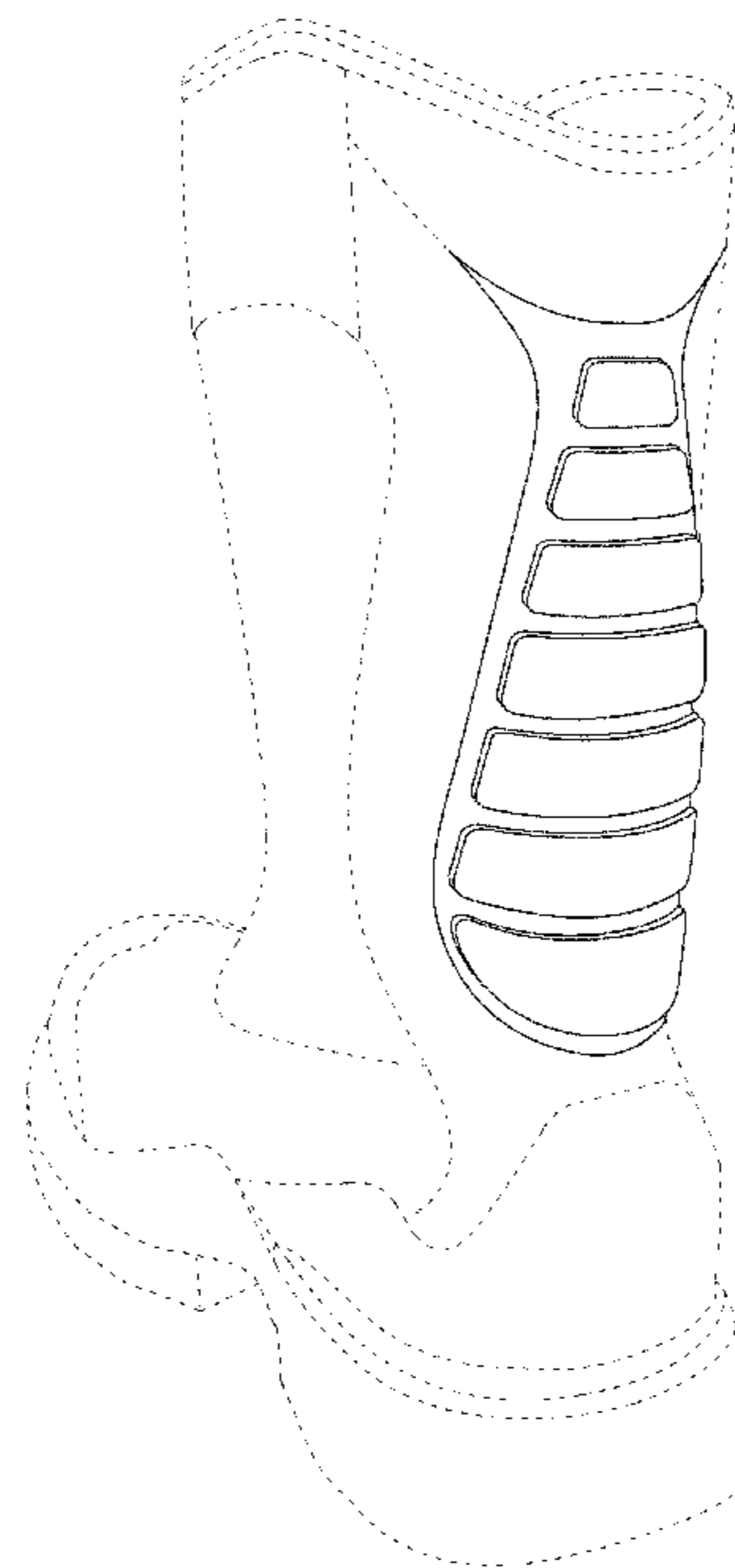


FIG. 1

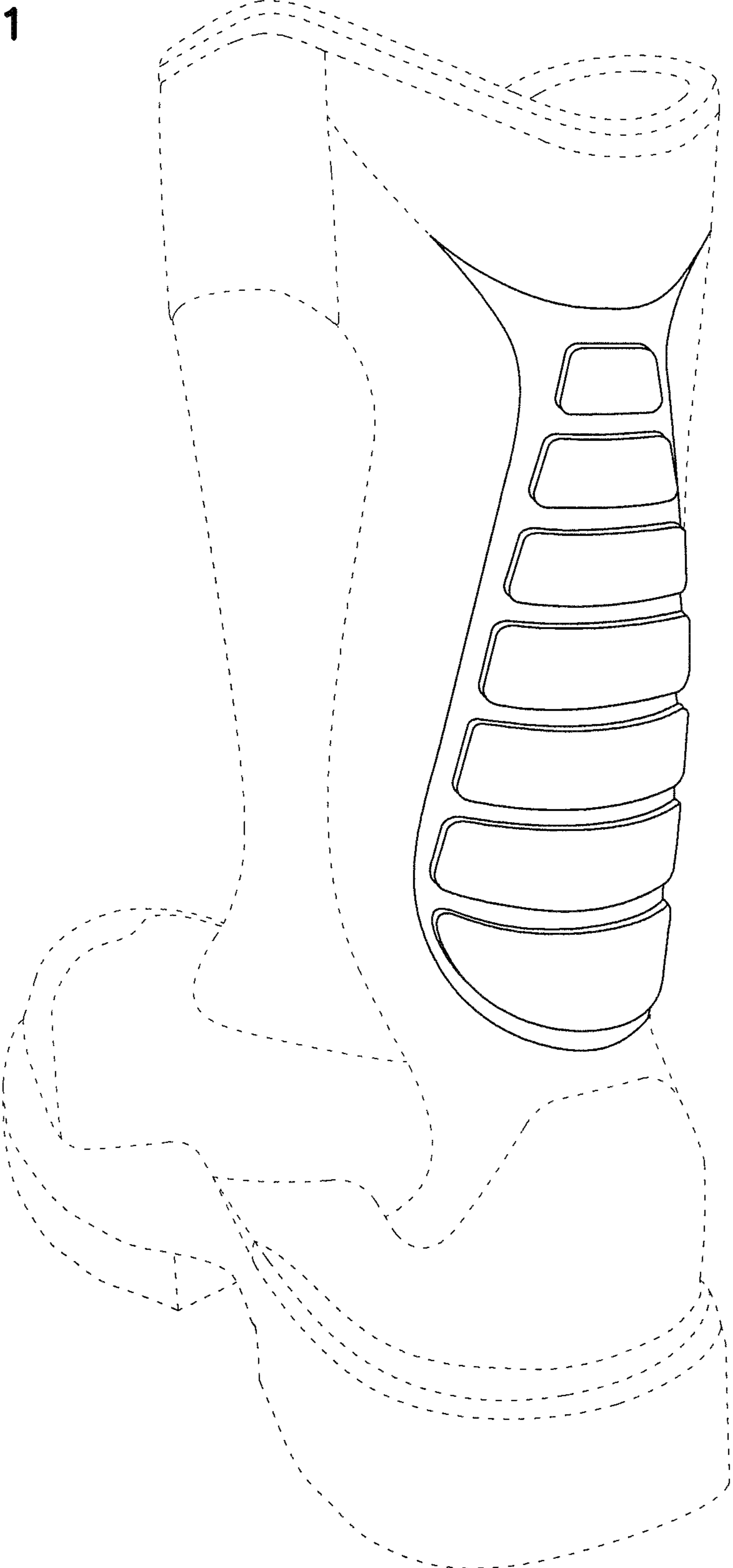


FIG. 2

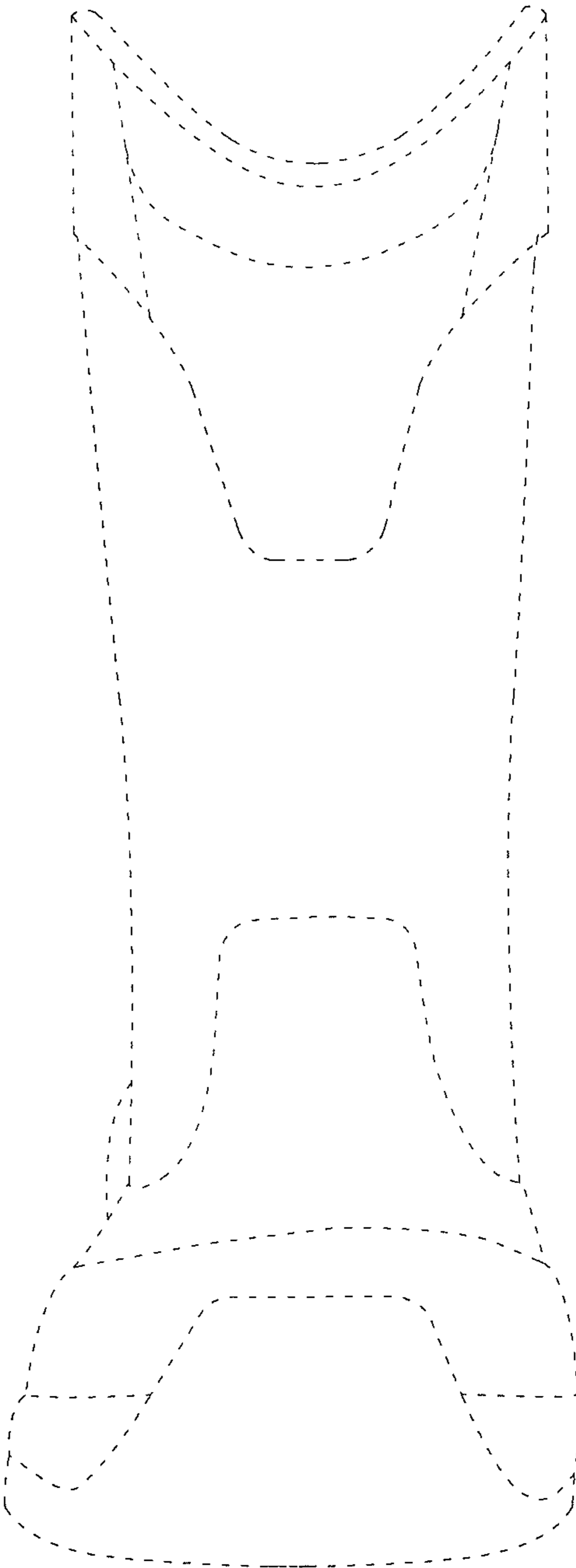


FIG. 3

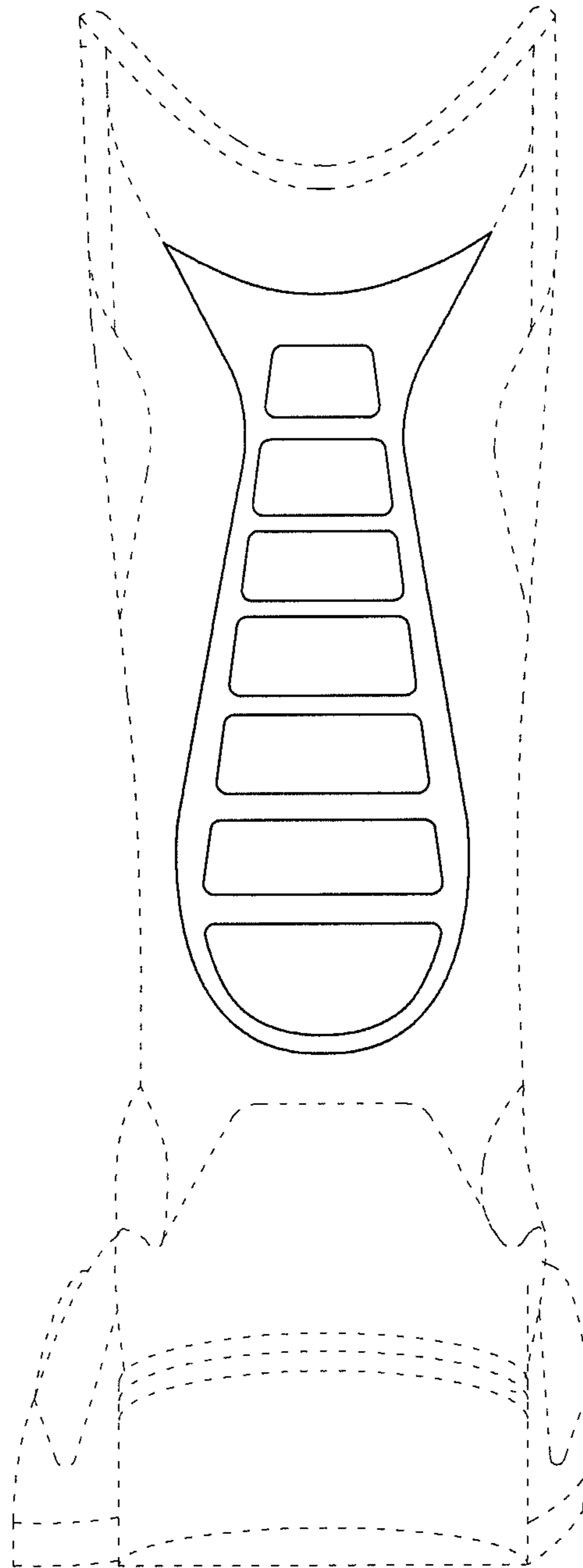


FIG. 4

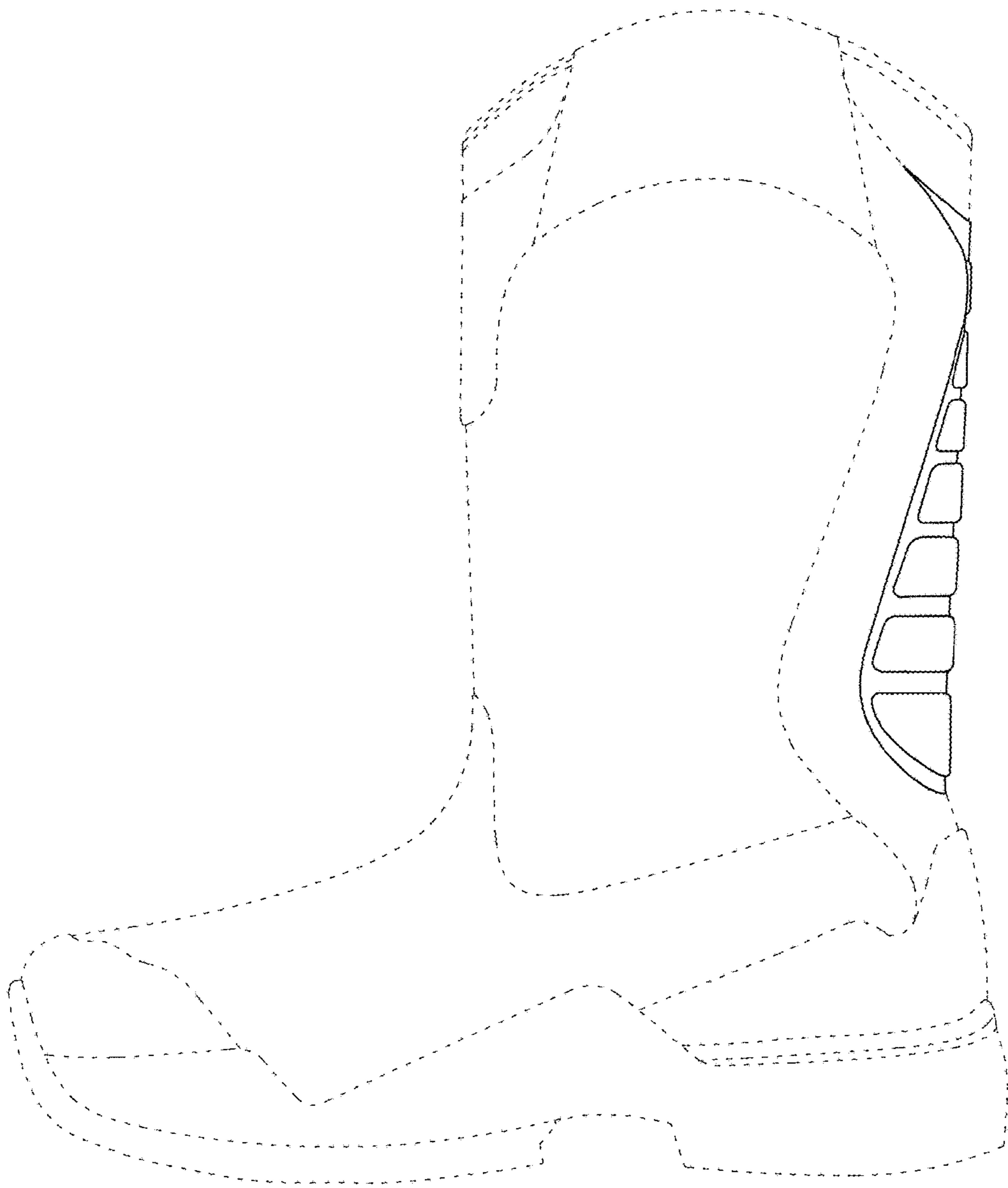


FIG. 5

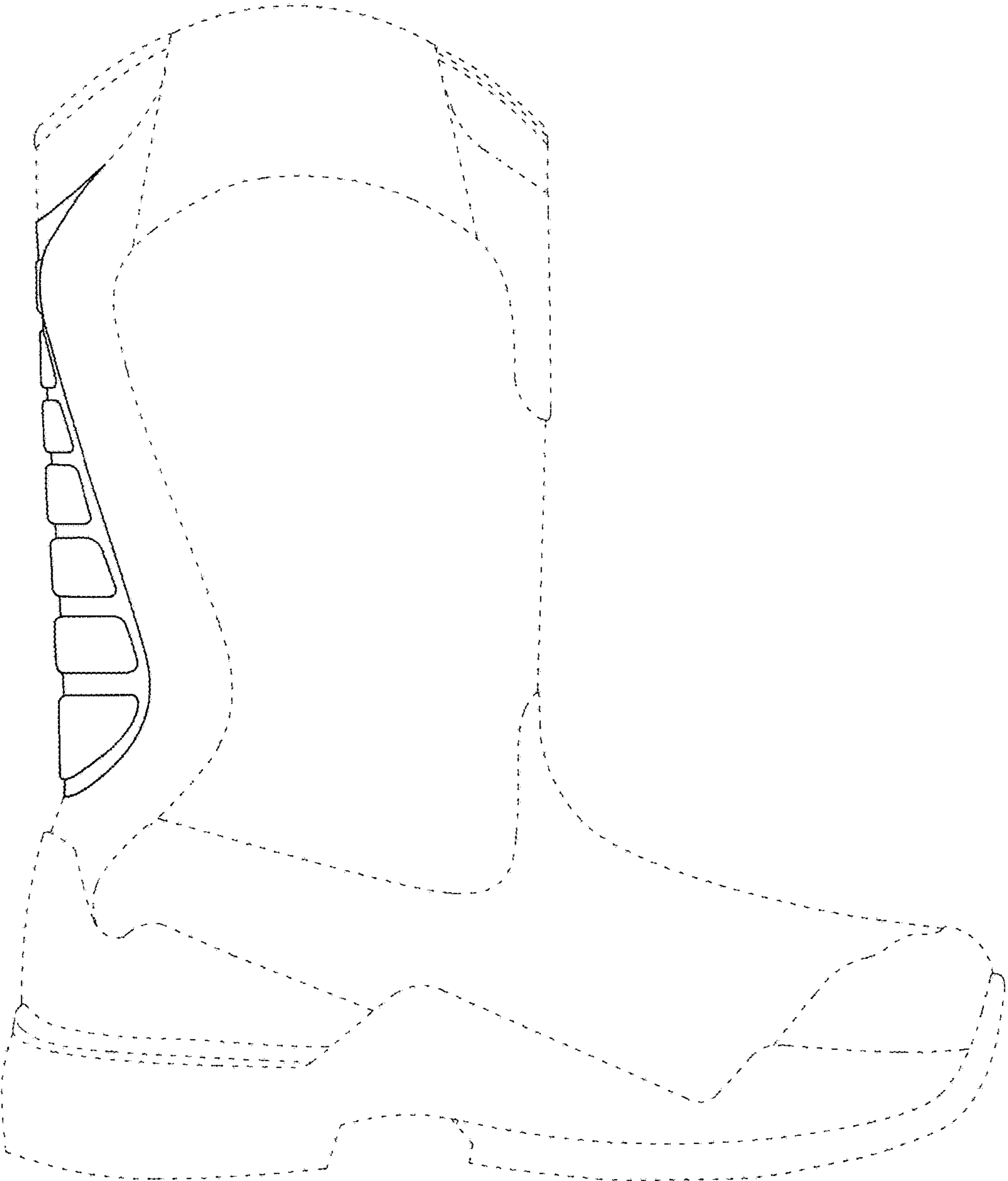


FIG. 6

