



US00D794921S

(12) **United States Design Patent** (10) **Patent No.:** **US D794,921 S**
Walters (45) **Date of Patent:** **** Aug. 22, 2017**

(54) **HEEL PROTECTOR**

(71) Applicant: **Richard Lee Walters**, Stone Mountain, GA (US)

(72) Inventor: **Richard Lee Walters**, Stone Mountain, GA (US)

(**) Term: **15 Years**

(21) Appl. No.: **29/545,867**

(22) Filed: **Nov. 17, 2015**

(51) **LOC (10) Cl.** **02-04**

(52) **U.S. Cl.**

USPC **D2/915**; D2/964

(58) **Field of Classification Search**

USPC D2/896, 909, 914, 915, 925, 946, 964, D2/965, 966, 972

CPC A43B 1/00; A43B 3/00; A43B 3/16; A43B 3/18; A43B 7/14; A43B 7/141; A43B 7/144; A43B 7/1475; A43B 7/16; A43B 7/38; A43B 13/00; A43B 13/02; A43B 13/04; A43B 13/14; A43B 13/28; A43B 21/00; A43B 21/02; A43B 21/04; A43B 21/06; A43B 21/08; A43B 21/18; A43B 21/20; A43B 21/22; A43B 21/24; A43B 21/42; A43B 21/53; A43B 21/54; A43B 5/007; A43B 23/30; A43B 23/00

See application file for complete search history.

(56) **References Cited**

U.S. PATENT DOCUMENTS

- 98,668 A * 1/1870 Coates A43B 5/007 36/72 B
- 194,397 A * 8/1877 Almy A43B 23/16 36/68
- 638,879 A * 12/1899 Packard A43B 23/17 36/40
- 892,601 A * 7/1908 Lucke A43B 23/16 36/68
- D192,208 S * 2/1962 McClellan 36/68

(Continued)

Primary Examiner — Elizabeth J Oswecki

(74) *Attorney, Agent, or Firm* — Dunlap Bennett & Ludwig PLLC

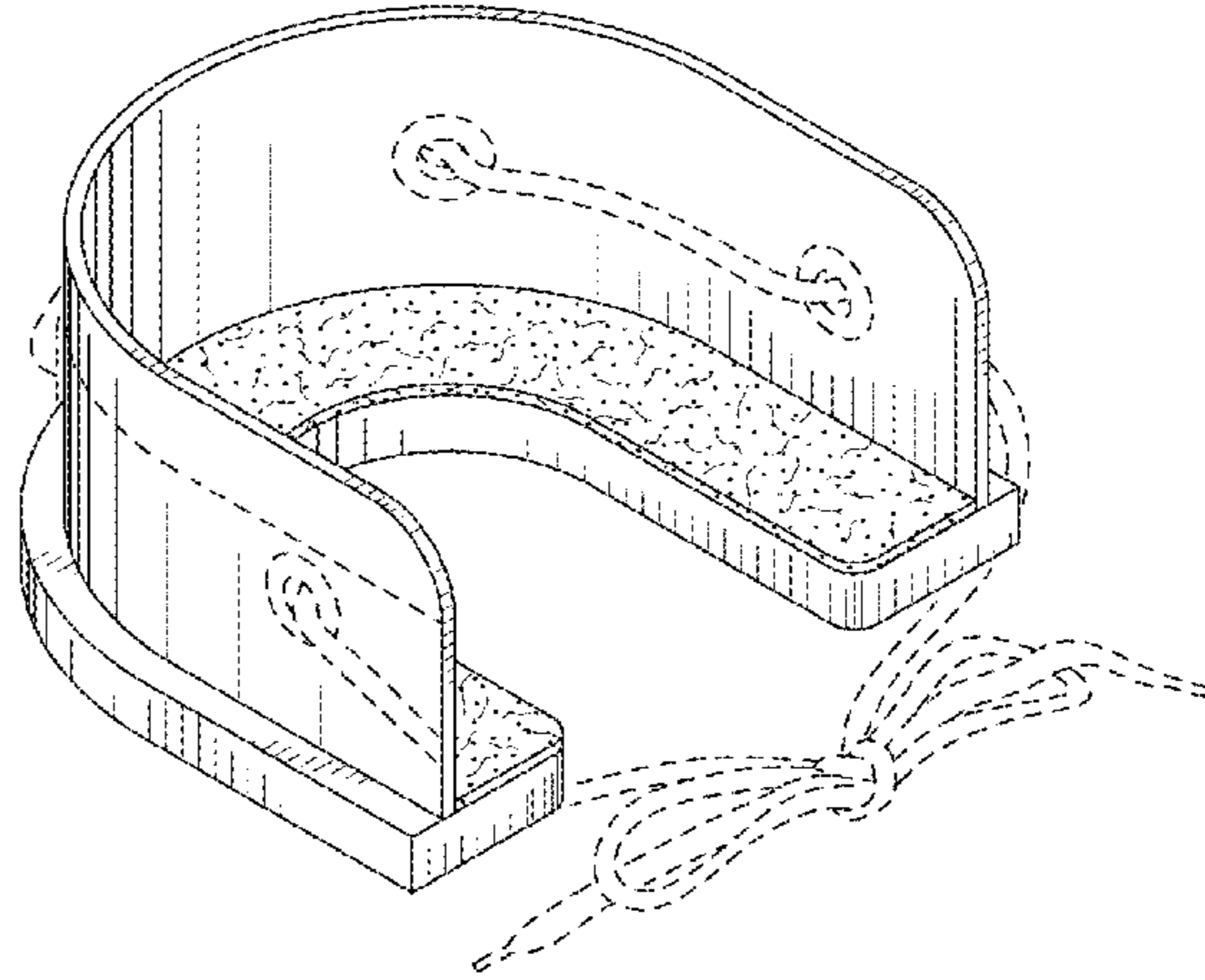
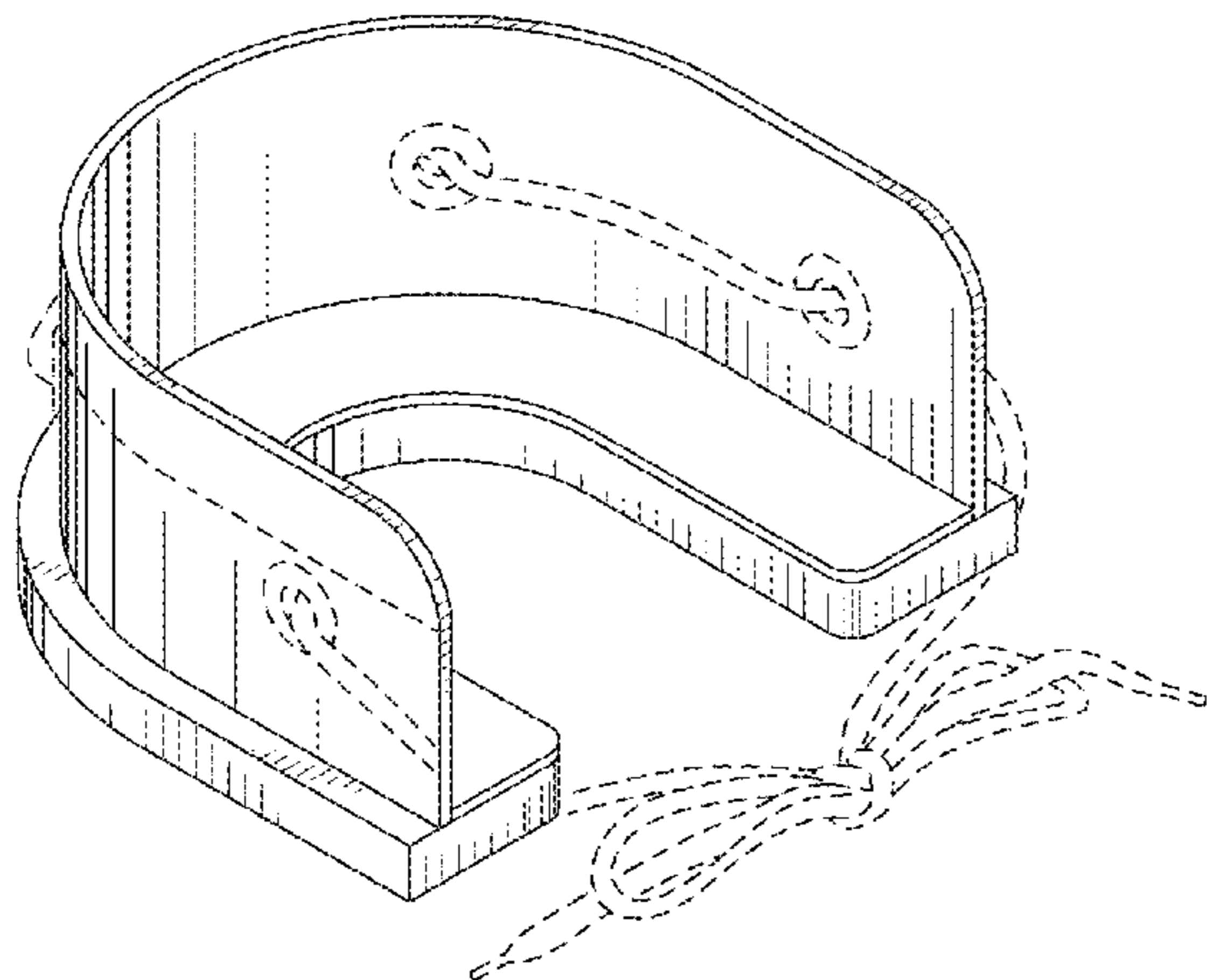
(57) **CLAIM**

The ornamental design for a heel protector, as shown and described.

DESCRIPTION

FIG. 1 is a top front perspective view of a first embodiment of a heel protector showing my new design; FIG. 2 is a front elevation view of FIG. 1; FIG. 3 is rear elevation view of FIG. 1; FIG. 4 is a right side elevation view of FIG. 1, the left side elevation view being a mirror image thereof; FIG. 5 is a top plan view of FIG. 1; FIG. 6 is a bottom plan view of FIG. 1; FIG. 7 is another top front perspective view of FIG. 1, shown in a used condition with a shoe shown in broken lines; FIG. 8 is a top front perspective view of a second embodiment of a heel protector showing my new design; FIG. 9 is a front elevation view of FIG. 8; FIG. 10 is rear elevation view of FIG. 8; FIG. 11 is a right side elevation view of FIG. 8, the left side elevation view being a mirror image thereof; FIG. 12 is a top plan view of FIG. 8; FIG. 13 is a bottom plan view of FIG. 8; and, FIG. 14 is another top front perspective view of FIG. 8, shown in a used condition with a shoe shown in broken lines. The stippling shading in FIGS. 8-14 represent a contrast in textured surface. The broken lines of the shoe in FIGS. 7 and 14 depict environmental subject matter and form no part of the claimed design, while all other broken lines depict portions of the heel protector that form no part of the claimed design.

1 Claim, 8 Drawing Sheets



(56)

References Cited

U.S. PATENT DOCUMENTS

3,095,659 A * 7/1963 McClellan A43B 5/007
36/72 B
3,279,103 A * 10/1966 Shelton A43C 13/02
36/74
D242,090 S * 11/1976 Wilson D2/915
D272,104 S * 1/1984 Campbell D2/915
D278,184 S * 4/1985 Cross D2/915
D287,660 S * 1/1987 Strickland D2/915
D288,862 S * 3/1987 Scott D2/915
4,662,082 A * 5/1987 Shabazz A43B 23/30
36/72 B
D291,741 S * 9/1987 Beaty D2/915
4,794,705 A * 1/1989 Sanders A43B 23/30
36/72 B
D300,580 S * 4/1989 Stewart D2/915
D337,421 S * 7/1993 Abuzeed D2/915
D345,457 S * 3/1994 Friend D2/915
D352,381 S * 11/1994 Rose D2/915
D667,613 S * 9/2012 Gordon D2/915
D685,981 S * 7/2013 Greer D2/915

* cited by examiner

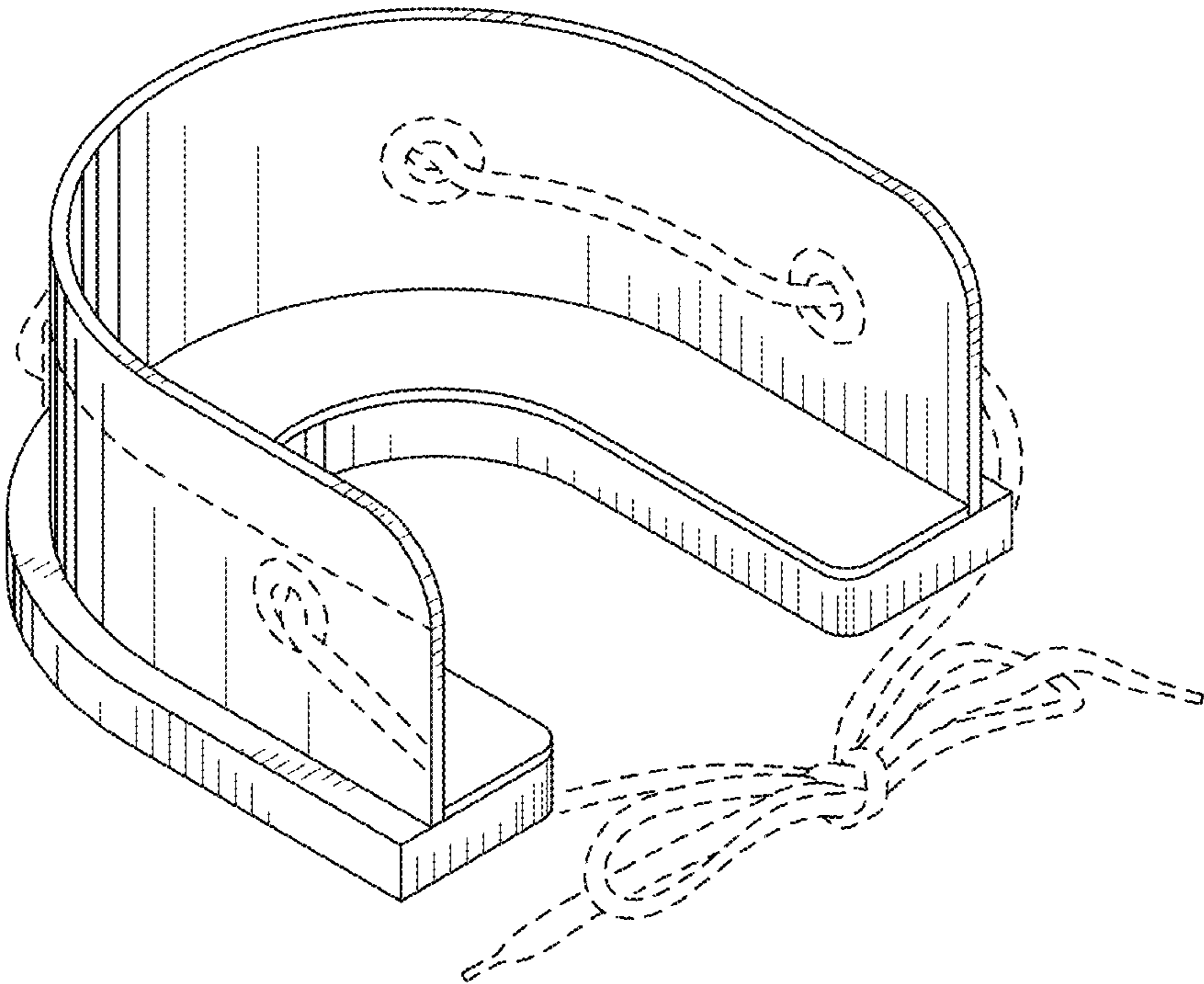


FIG.1

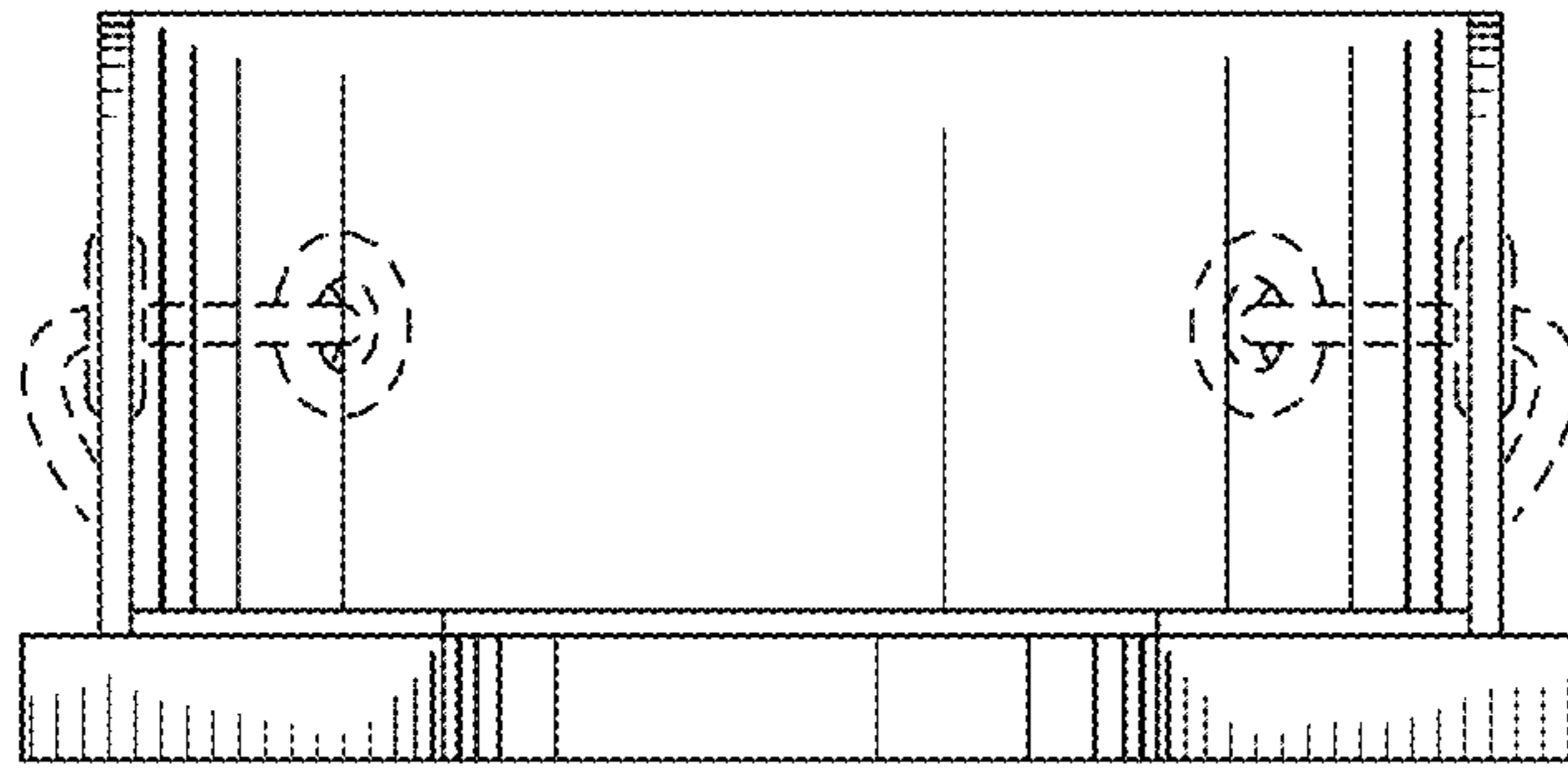


FIG. 2

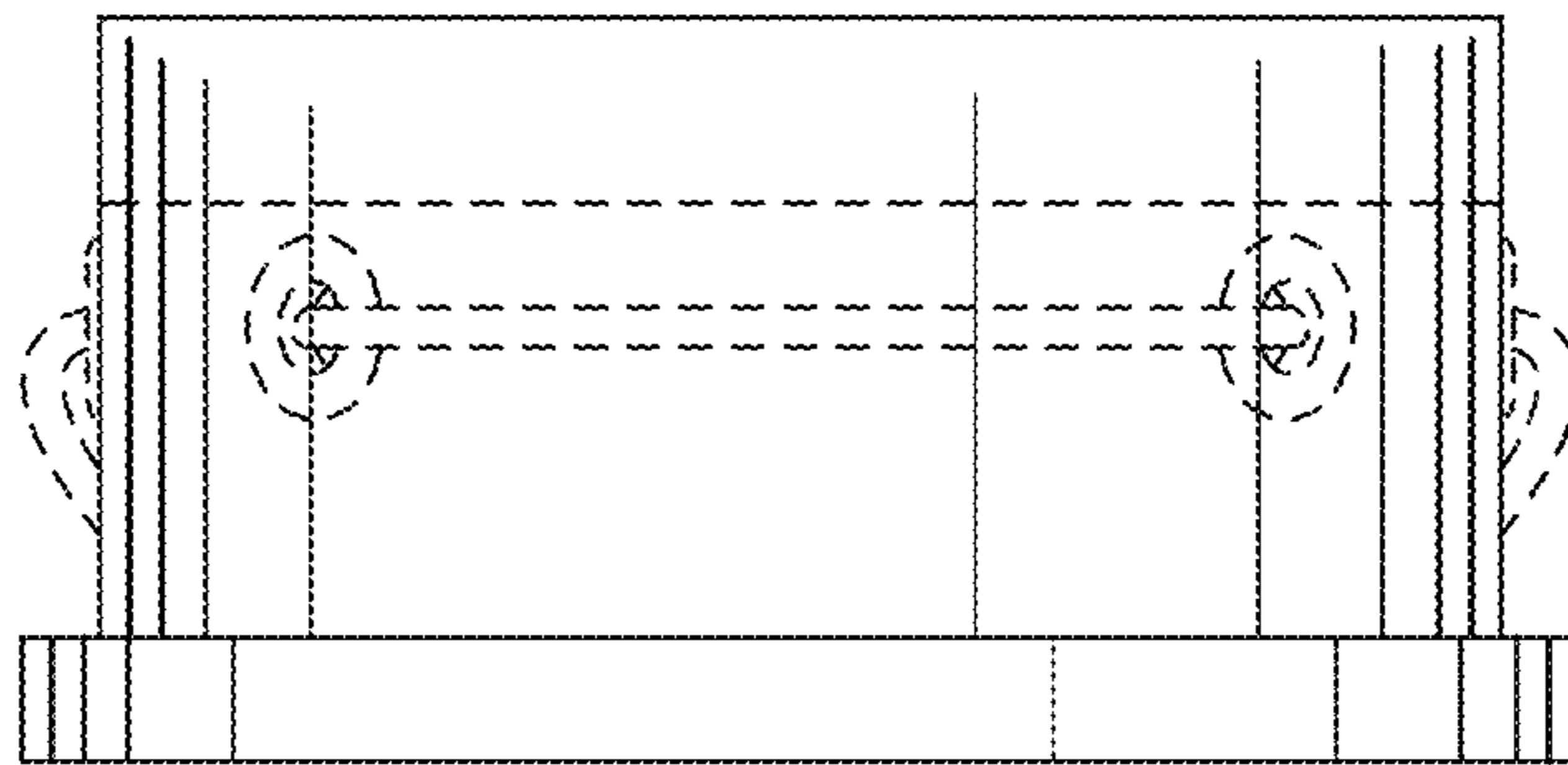


FIG. 3

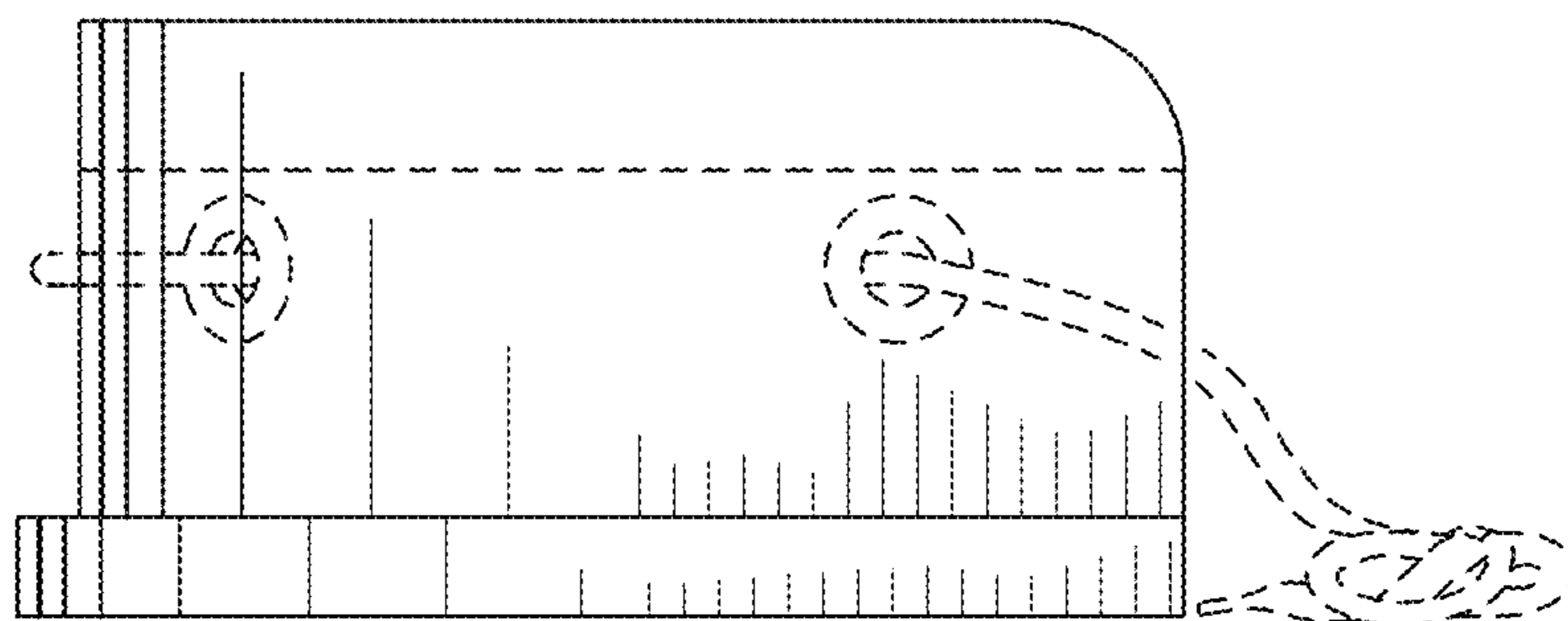


FIG. 4

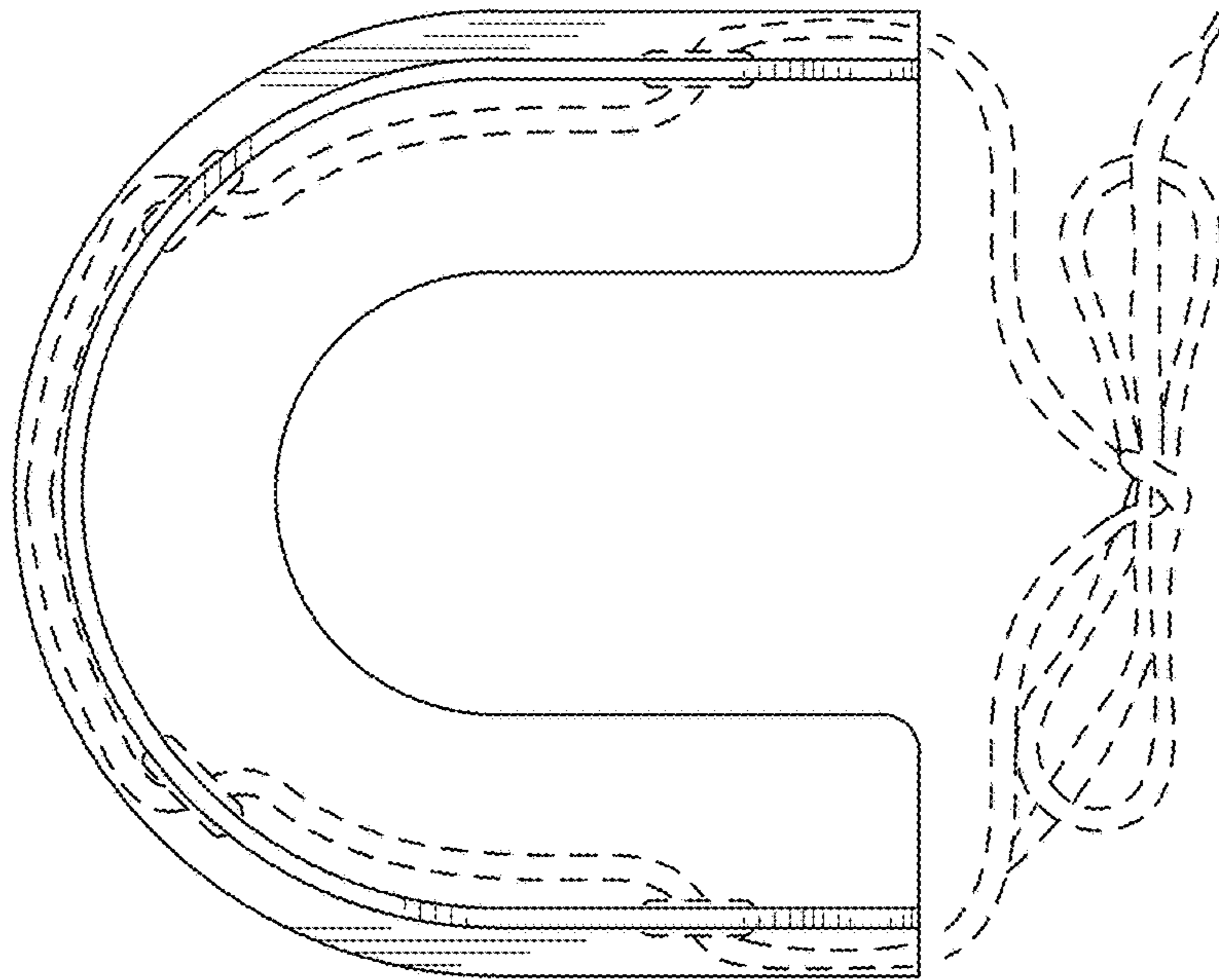


FIG. 5

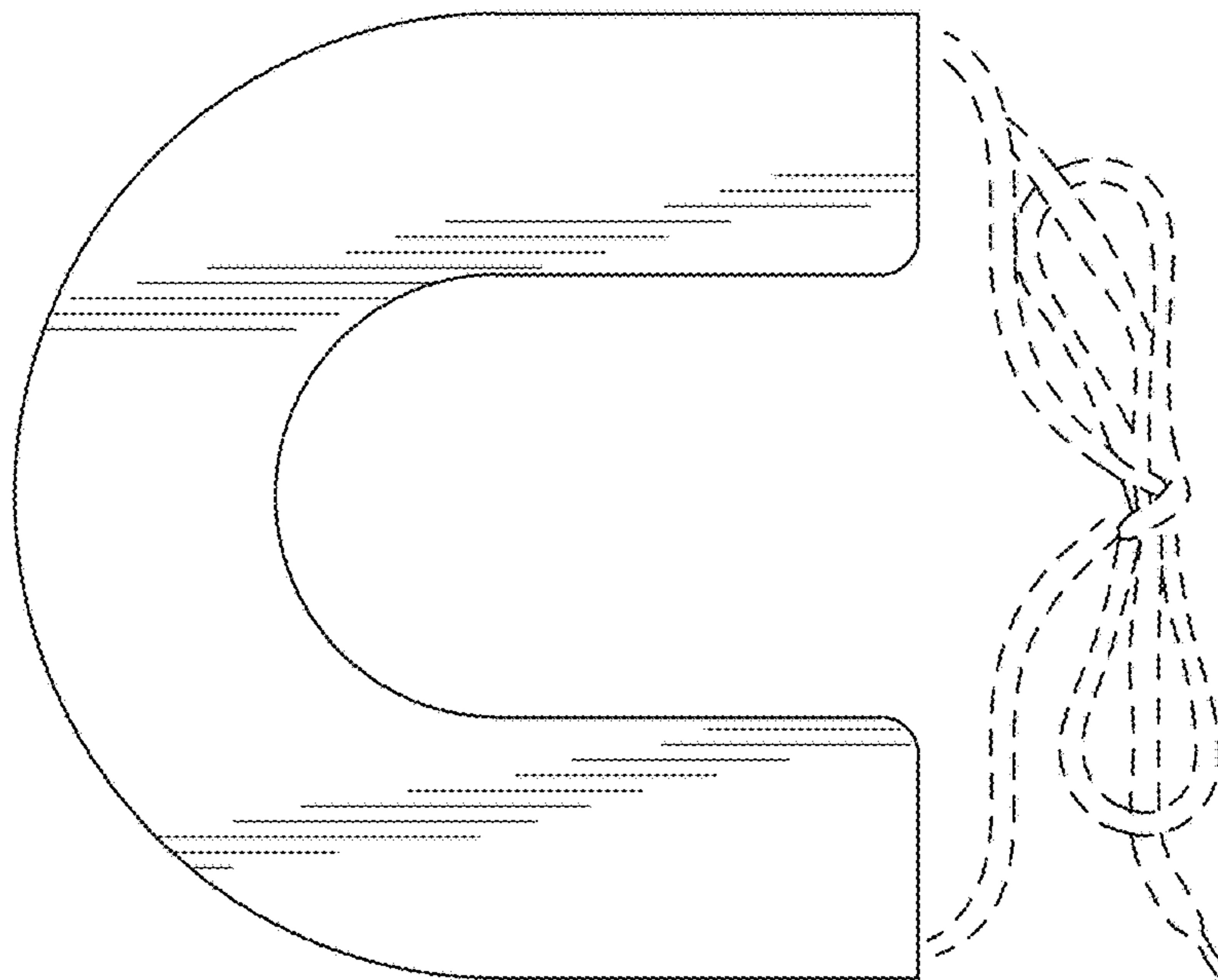


FIG. 6

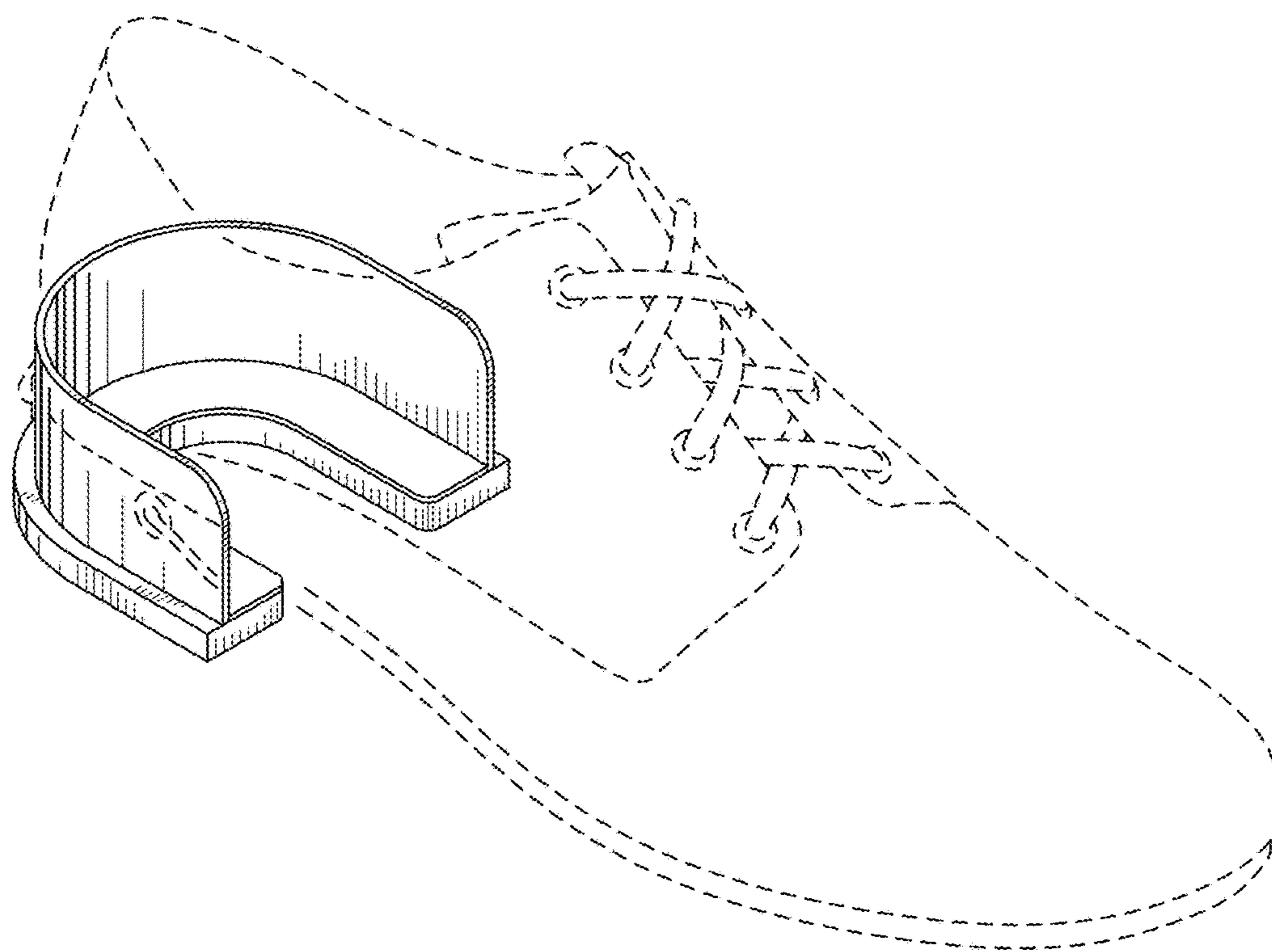


FIG. 7

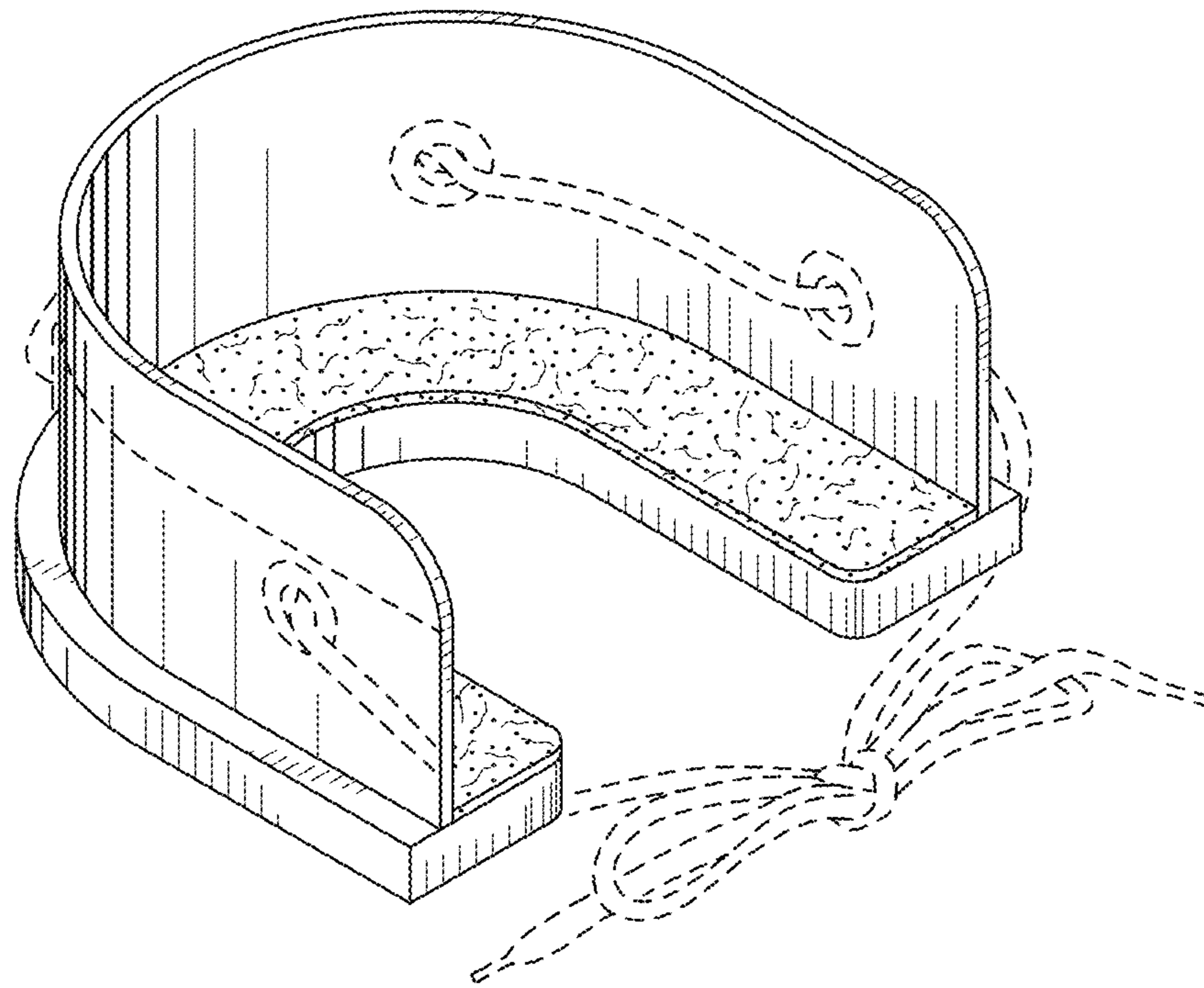


FIG. 8

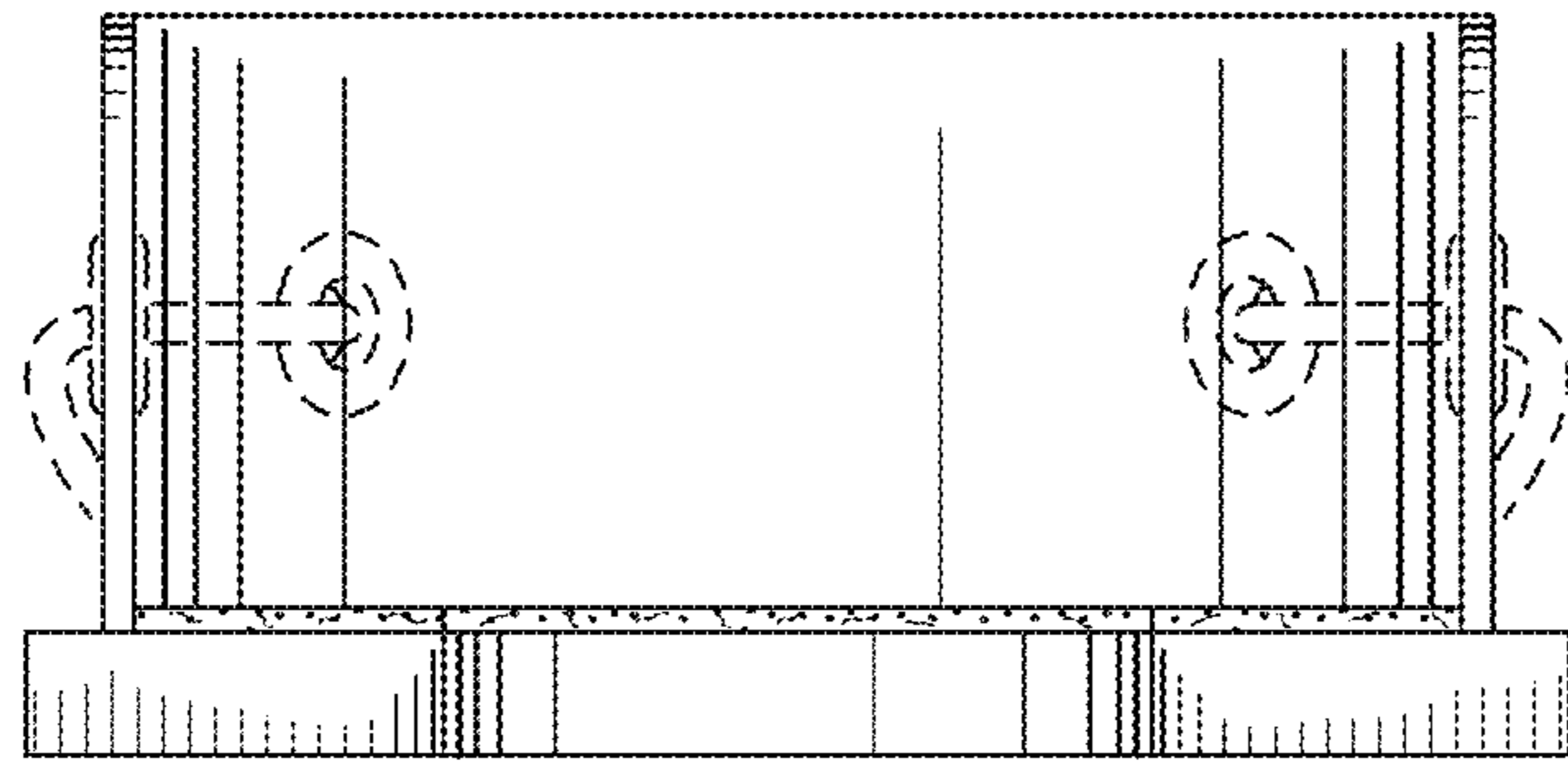


FIG. 9

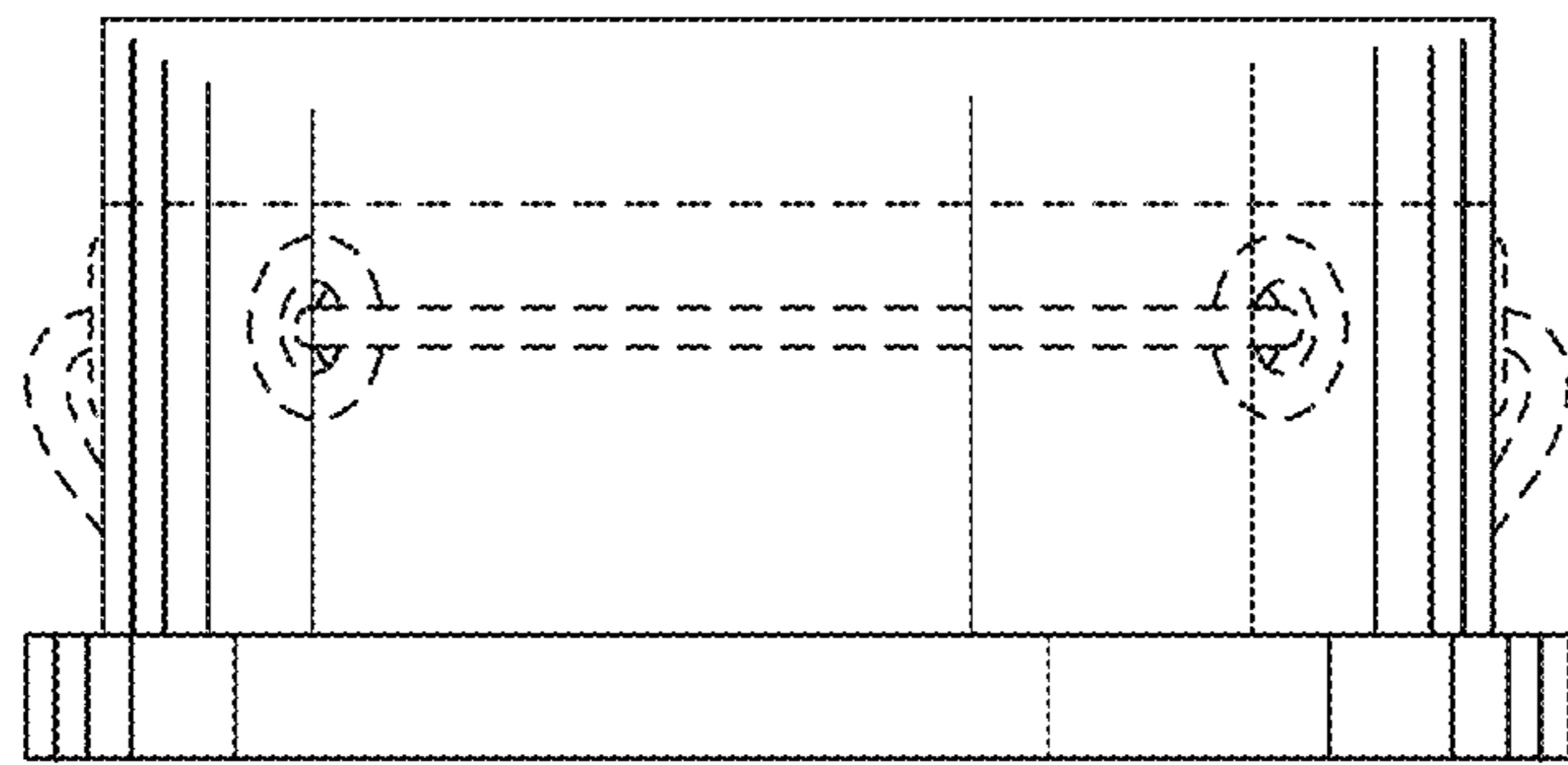


FIG. 10

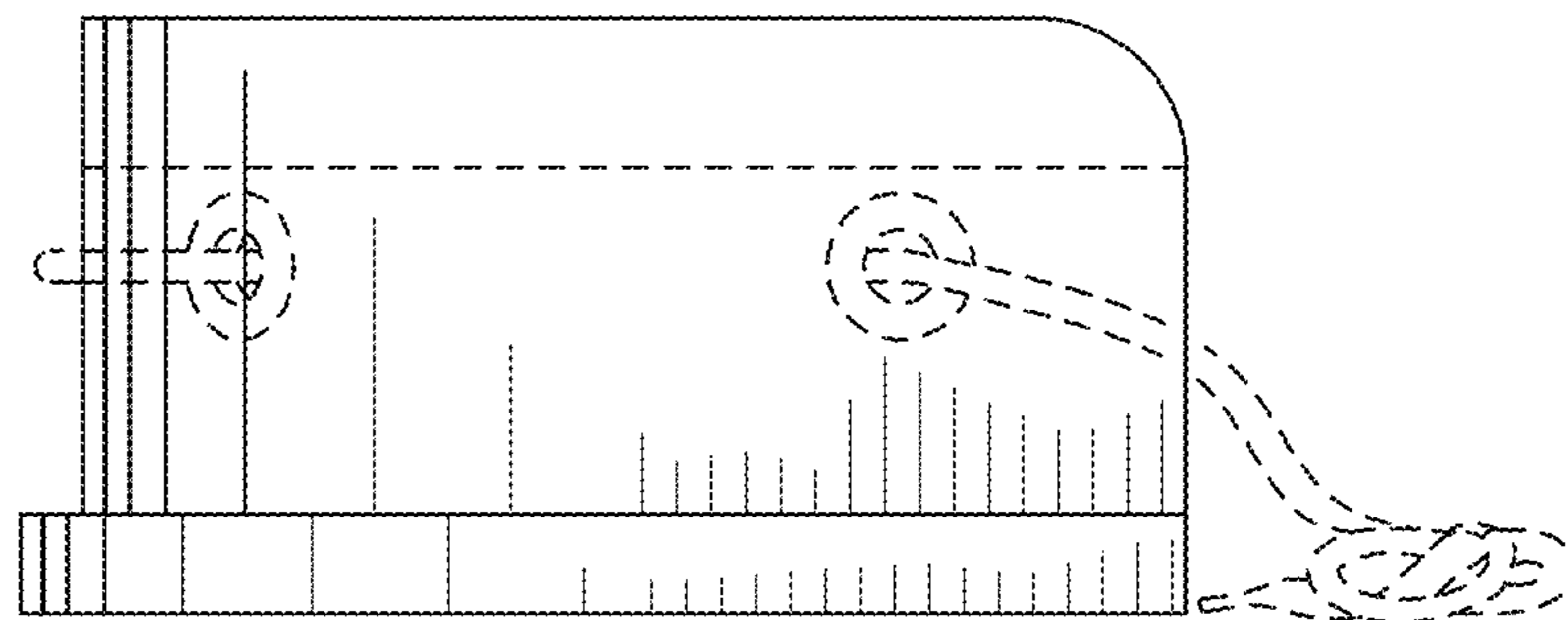


FIG. 11

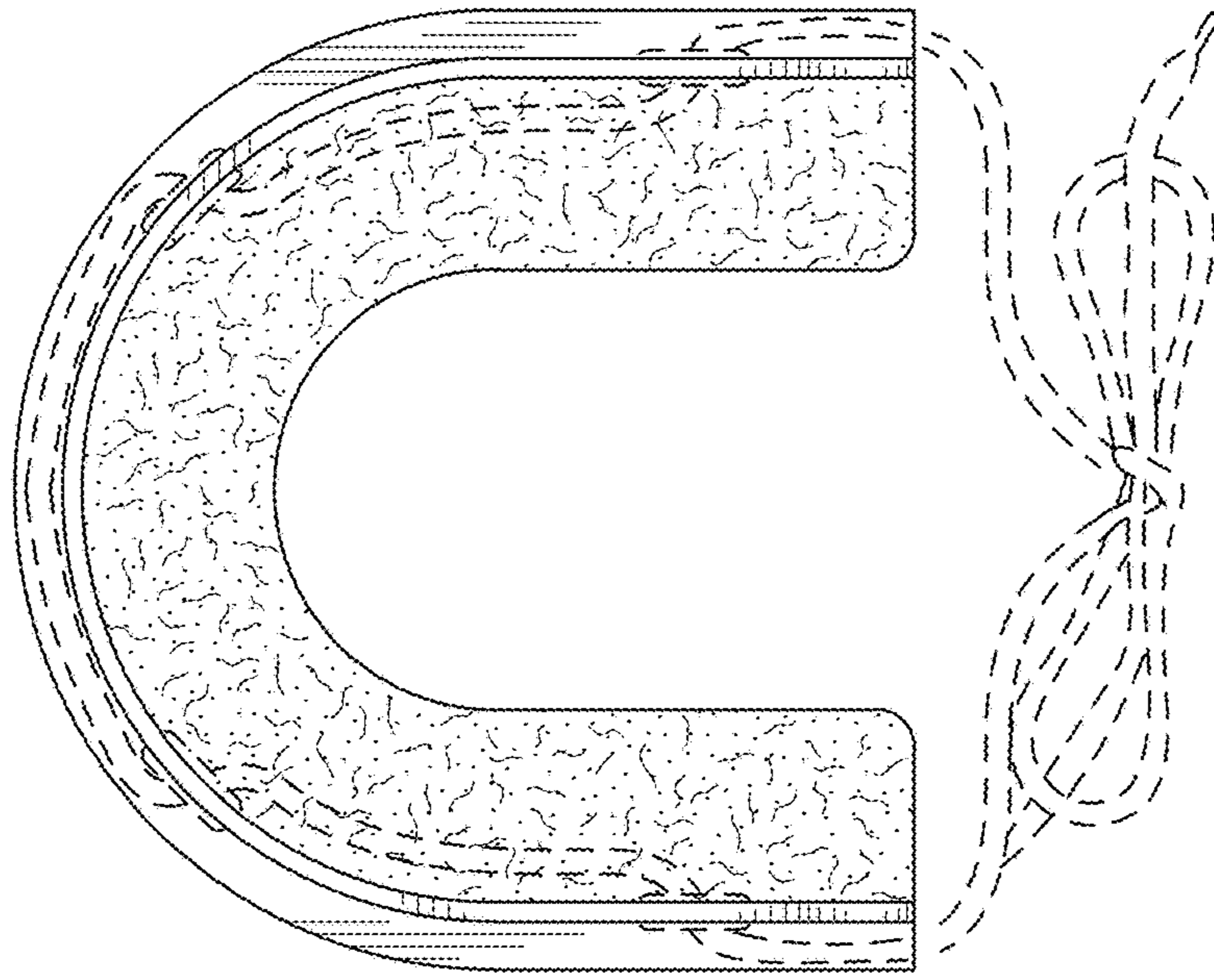


FIG. 12

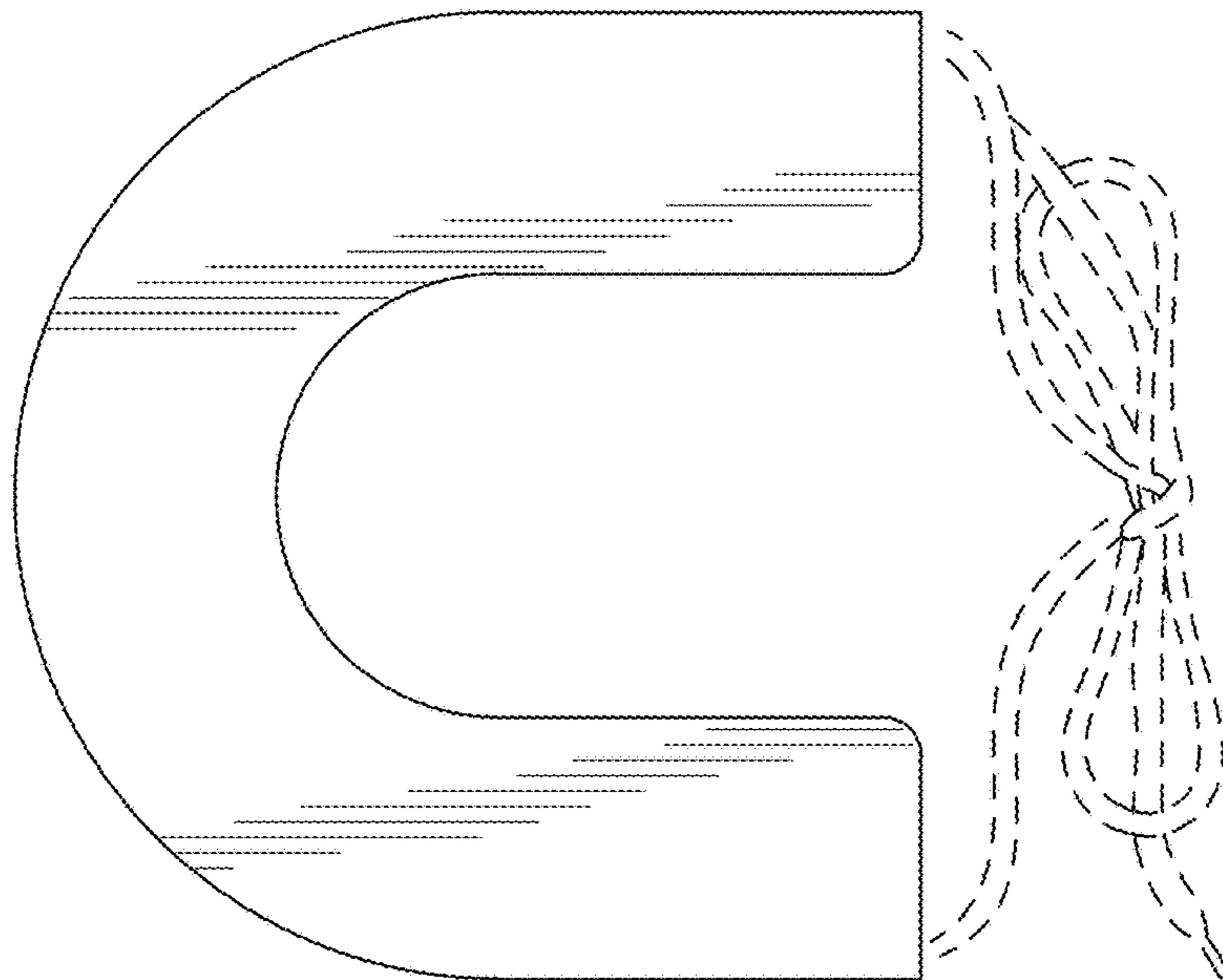


FIG. 13

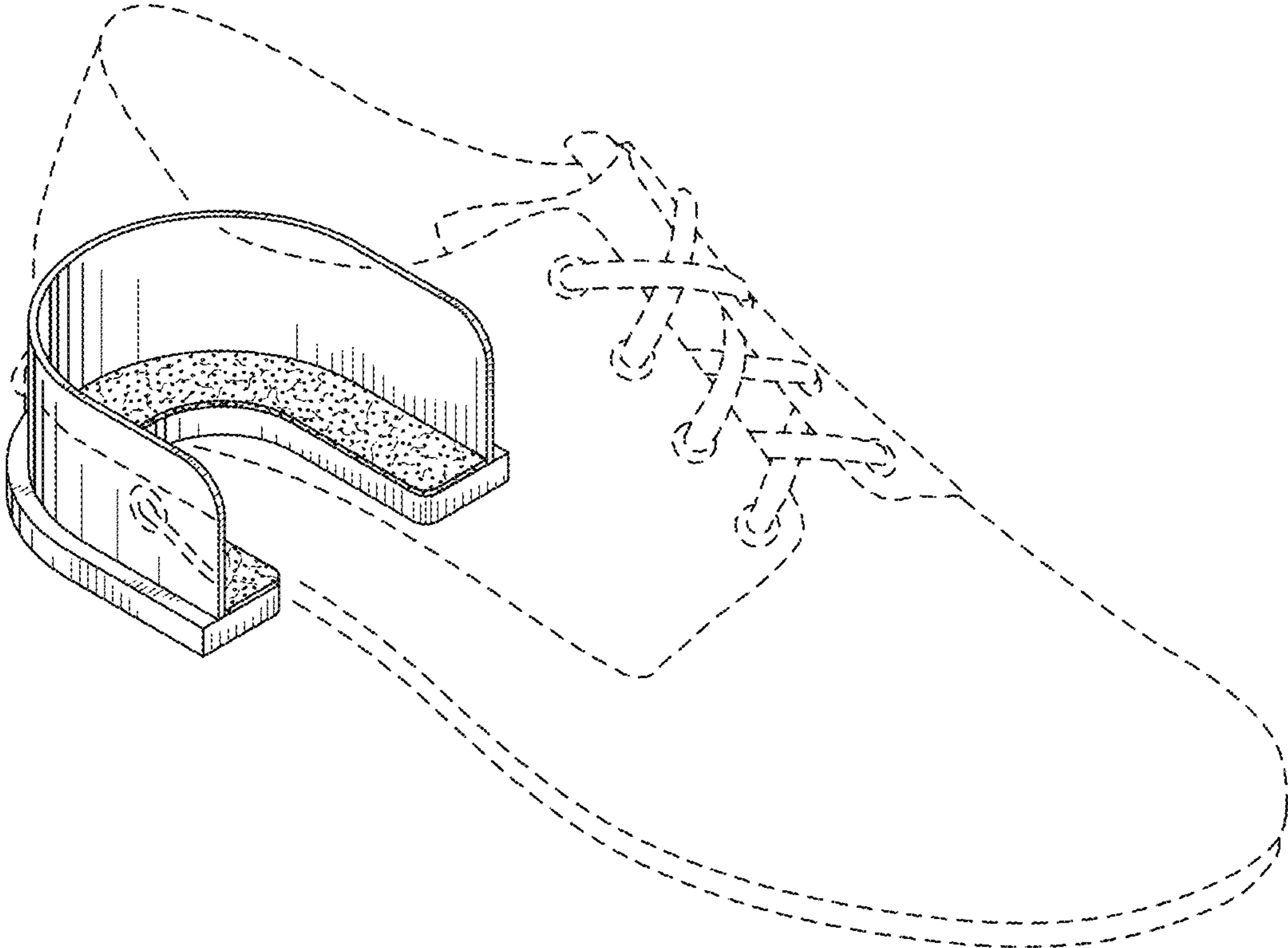


FIG. 14