



US00D794910S

(12) **United States Design Patent** (10) **Patent No.:** **US D794,910 S**
Darmour (45) **Date of Patent:** **** Aug. 22, 2017**

(54) **PANT**

FOREIGN PATENT DOCUMENTS

(71) Applicant: **NIKE, Inc.**, Beaverton, OR (US)

CN 303098016 * 2/2015
CN 303301411 * 7/2015

(72) Inventor: **Rob Darmour**, Portland, OR (US)

(Continued)

(73) Assignee: **NIKE, Inc.**, Beaverton, OR (US)

OTHER PUBLICATIONS

(**) Term: **15 Years**

Sz XXL Nike Tech Fleece Jogging Pants Bottoms, [online], [site visited May 23, 2017]. Available from Internet, <URL:http://www.ebay.co.uk/itm/Sz-XXL-Nike-Tech-Fleece-Jogging-Pants-Bottoms-Charcoal-Heather-805218-071-New/252953536190>.*

(21) Appl. No.: **29/545,770**

(Continued)

(22) Filed: **Nov. 16, 2015**

(51) **LOC (10) Cl.** **02-02**

(52) **U.S. Cl.**

USPC **D2/742**

(58) **Field of Classification Search**

USPC D2/700, 701, 702, 705, 709, 715, 716,
D2/717, 718, 720, 724, 728, 735, 736,
D2/737, 741, 750, 755, 756, 759, 760,
D2/761, 769, 771, 779, 786, 799, 800,
D2/801, 802, 803, 814, 815, 823, 828,
D2/840, 847, 851, 852, 853, 855, 860,
D2/861, 500, 624, 742

CPC A41D 1/00; A41D 1/02

See application file for complete search history.

Primary Examiner — Thomas Johannes

Assistant Examiner — Katrina Gonzalez

(74) *Attorney, Agent, or Firm* — Shook, Hardy & Bacon L.L.P.

(57) **CLAIM**

The ornamental design for a pant, as shown and described.

DESCRIPTION

FIG. 1 is a left front perspective view of a pant according to the present design;

FIG. 2 is a front view thereof;

FIG. 3 is a right side view thereof;

FIG. 4 is a left side view thereof; and,

FIG. 5 is a back view thereof.

The evenly spaced broken lines shown in the drawings are for environmental purposes only and form no part of the claimed design.

The long and short broken lines depict the boundaries of the claim and form no part thereof. These boundaries do not exist in reality in the article embodying the design. It is understood that the claimed design extends to these boundaries but does not include the boundaries.

(56) **References Cited**

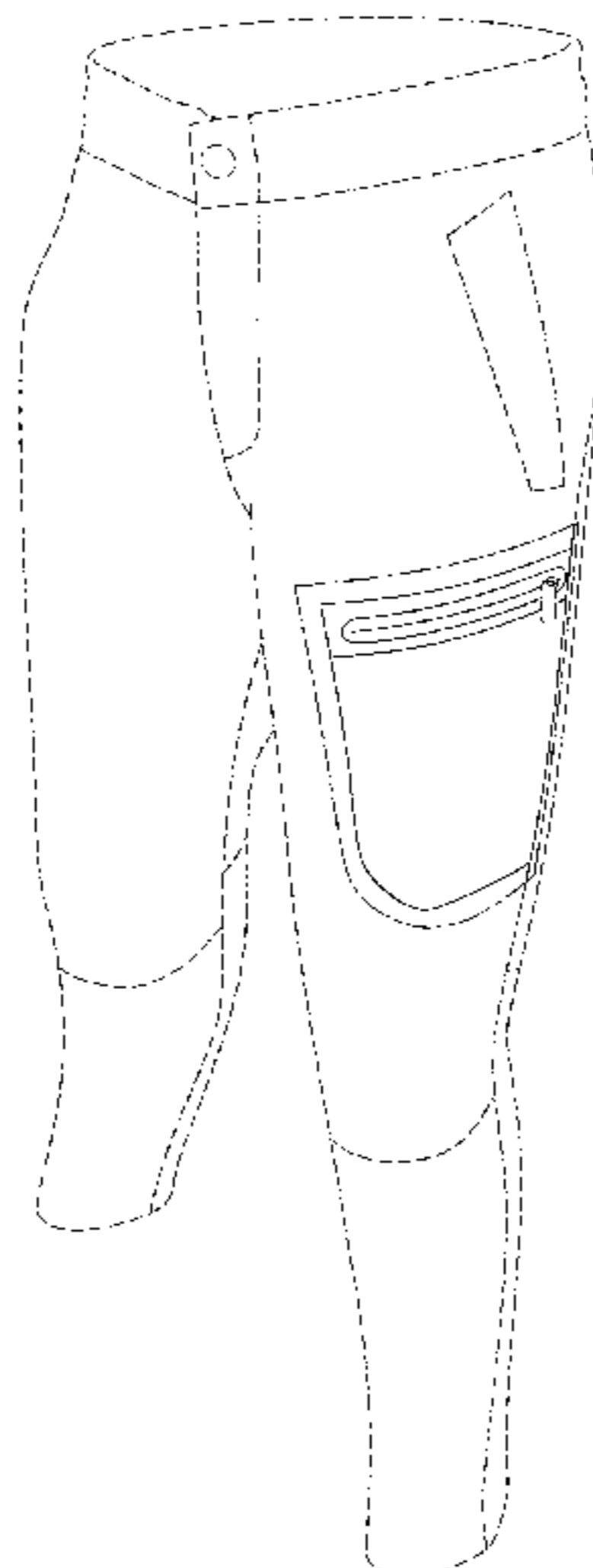
U.S. PATENT DOCUMENTS

D264,265 S *	5/1982	Trigere	D2/742
D294,651 S *	3/1988	Ferre	D2/742
D381,501 S *	7/1997	Leininger	D3/226
D393,141 S *	4/1998	Glycenfer	D2/728
D686,411 S *	7/2013	Kidwell	D3/226
D702,922 S *	4/2014	Holmes	D2/742
D707,923 S *	7/2014	Borovicka	D2/831
D712,120 S *	9/2014	Willows	D2/622
D714,524 S *	10/2014	Borovicka	D2/825
D714,527 S *	10/2014	Borovicka	D2/839
D739,643 S *	9/2015	Borovicka	D2/738
D747,849 S *	1/2016	Ingram	D2/829
2009/0178174 A1 *	7/2009	Cash, Jr.	A41D 1/08

2/69

(Continued)

1 Claim, 4 Drawing Sheets



(56)

References Cited

U.S. PATENT DOCUMENTS

2016/0128393 A1* 5/2016 Janda A41D 13/0051
219/211

FOREIGN PATENT DOCUMENTS

CN	304008861	*	1/2017
CN	304113785	*	4/2017
WO	D044057-026	*	7/1998
WO	D044058-025	*	7/1998

OTHER PUBLICATIONS

Nike Sportswear Tech Fleece, [online], [site visited May 23, 2017].
Available from Internet, <URL:http://store.nike.com/us/en_us/pd/sportswear-tech-fleece-mens-pants/pid-11085238/pgid-11993597?k_clickid=4f708d42-7309-4090-976c-a6588b8605ca&cp=usns_kw_nike_null_pla!g!c!nabr!&k_clickid=4f708d42-7309-4090-976c-a6588b8605ca>.*

* cited by examiner

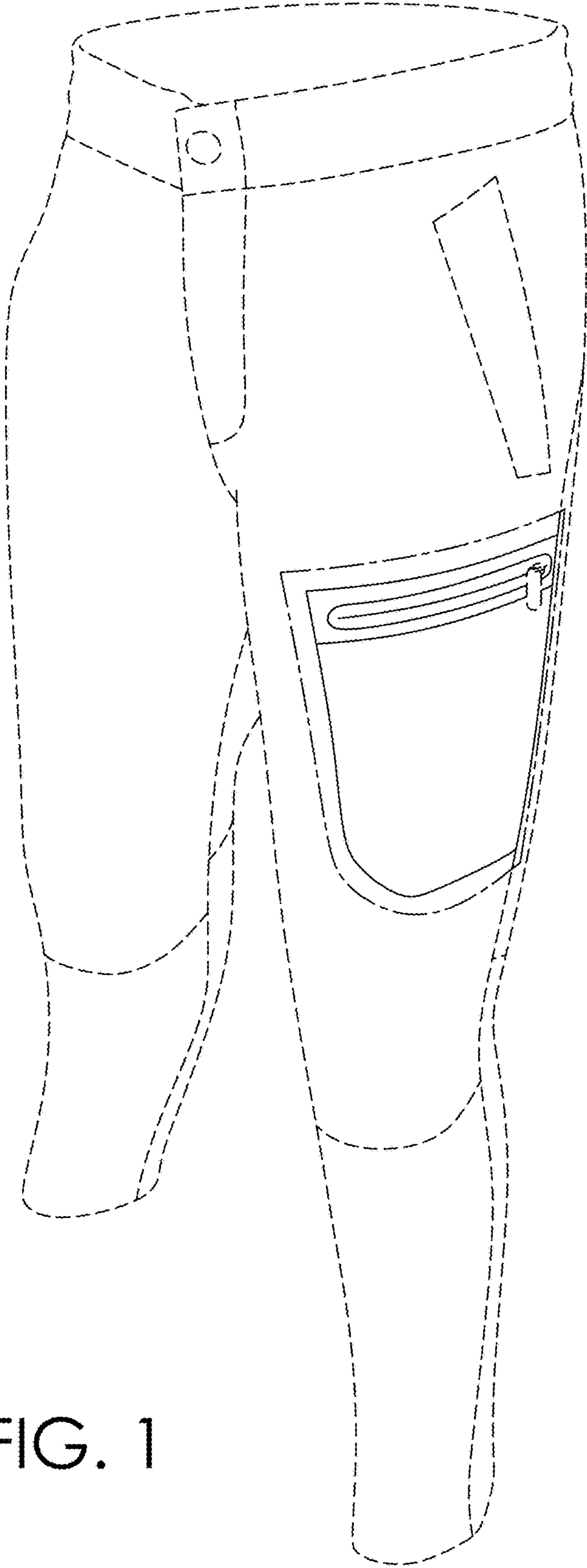


FIG. 1

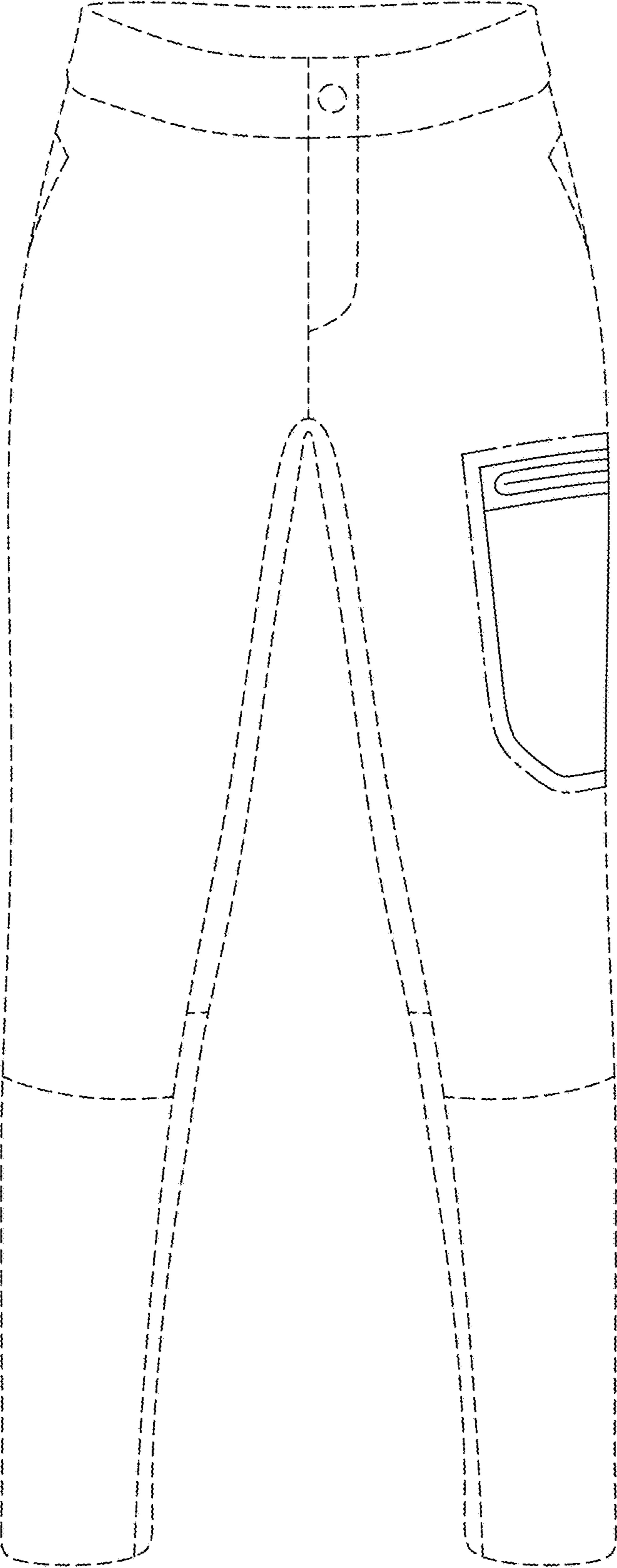


FIG. 2

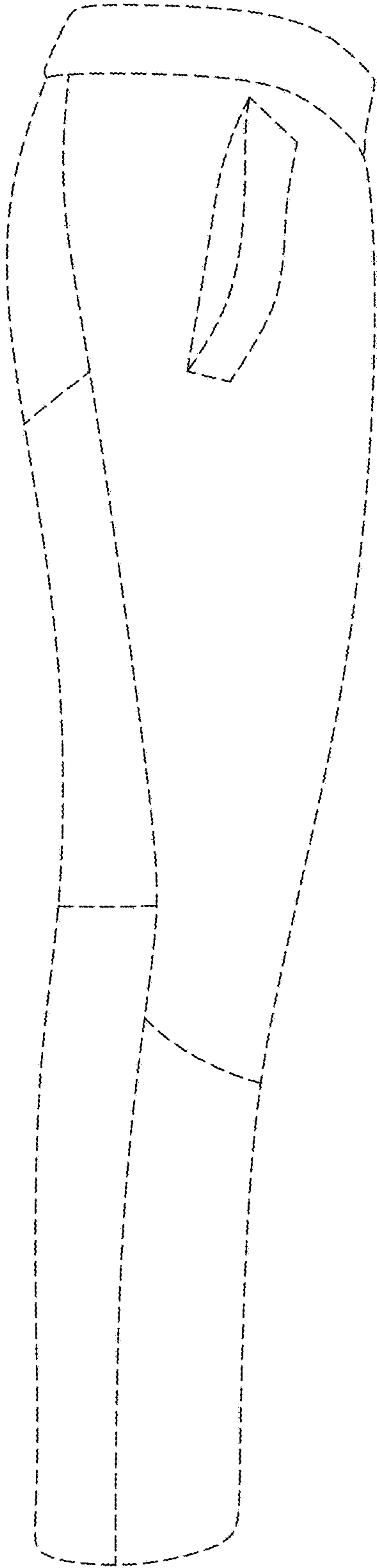


FIG. 3

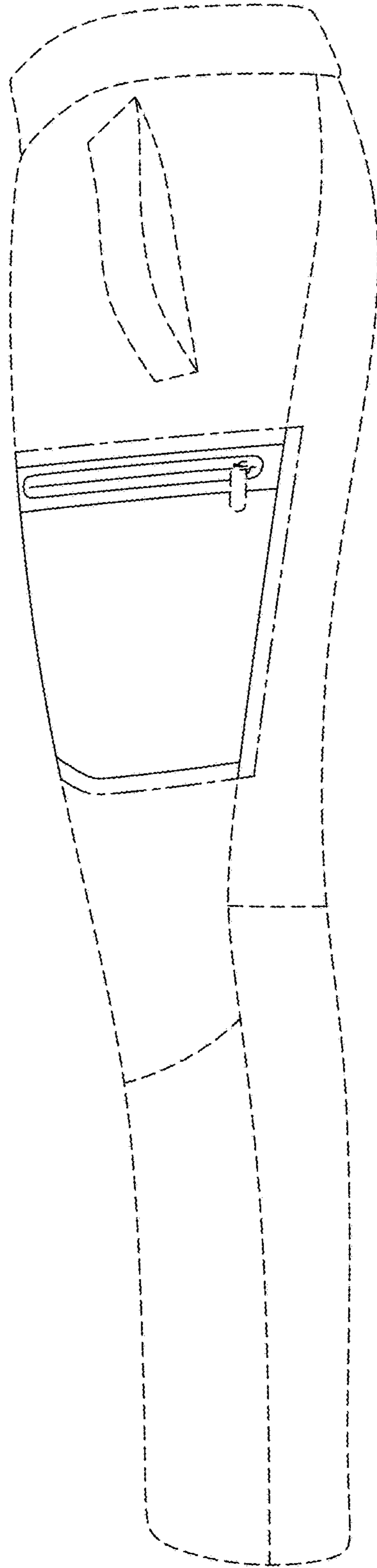


FIG. 4

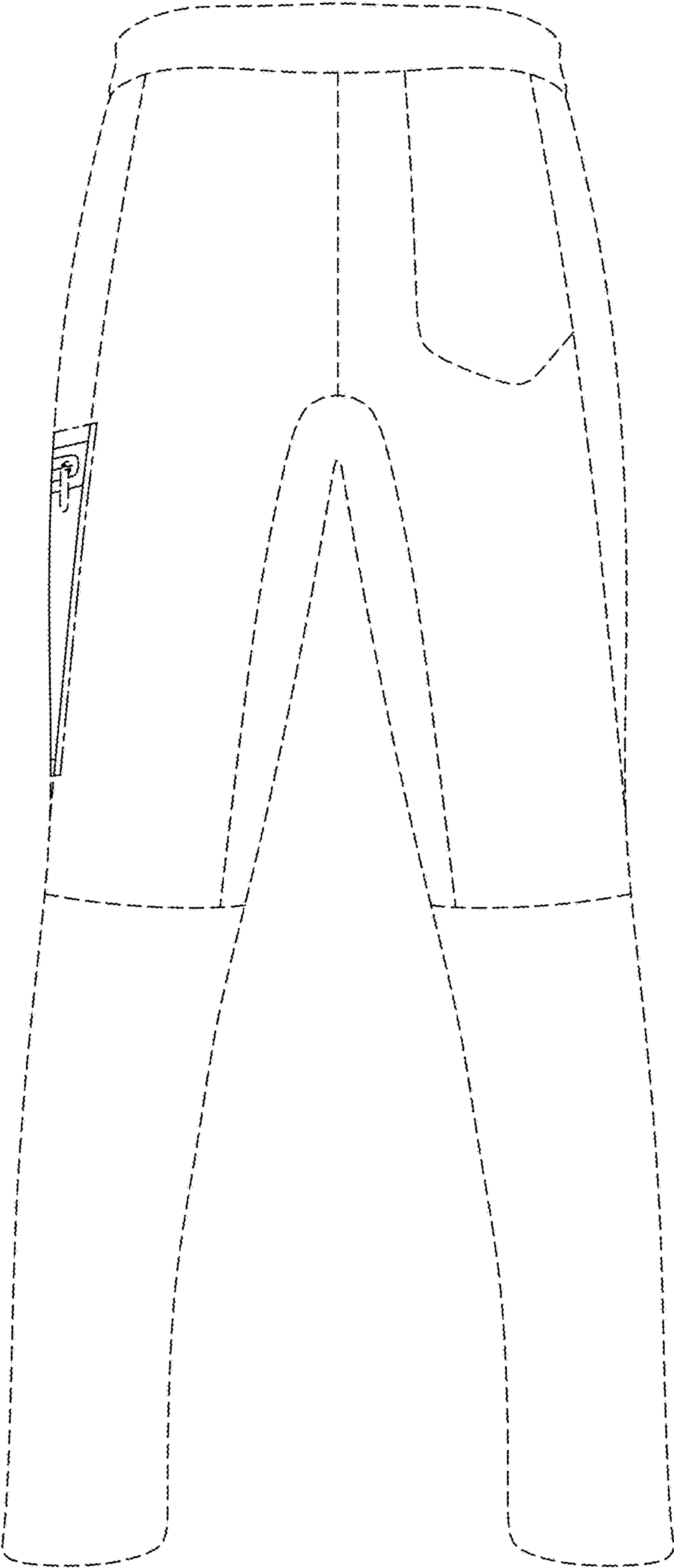


FIG. 5

UNITED STATES PATENT AND TRADEMARK OFFICE
CERTIFICATE OF CORRECTION

PATENT NO. : D794,910 S
APPLICATION NO. : 29/545770
DATED : August 22, 2017
INVENTOR(S) : Rob Darmour

Page 1 of 1

It is certified that error appears in the above-identified patent and that said Letters Patent is hereby corrected as shown below:

In the Description:

Line 5: "thereof; and," should read -- thereof; and --

Signed and Sealed this
Twenty-fourth Day of October, 2017



Joseph Matal

*Performing the Functions and Duties of the
Under Secretary of Commerce for Intellectual Property and
Director of the United States Patent and Trademark Office*