



US00D794902S

(12) **United States Design Patent** (10) **Patent No.:** **US D794,902 S**
Lomax (45) **Date of Patent:** **** Aug. 22, 2017**

- (54) **PLEAT STRUCTURE**
- (71) Applicant: **NIKE, Inc.**, Beaverton, OR (US)
- (72) Inventor: **Jessica Lomax**, Beaverton, OR (US)
- (73) Assignee: **NIKE, Inc.**, Beaverton, OR (US)
- (**) Term: **15 Years**
- (21) Appl. No.: **29/564,872**
- (22) Filed: **May 16, 2016**
- (51) **LOC (10) Cl.** **02-07**
- (52) **U.S. Cl.**
USPC **D2/637; D2/728**
- (58) **Field of Classification Search**
USPC D2/637, 728, 739, 756, 759, 791, 797,
D2/803, 840, 845-846, 850, 853, 716,
D2/771, 786
CPC A41D 27/24; A41D 27/10; A41D 1/00;
A41D 1/10; A41D 1/18; A41D 2300/50
See application file for complete search history.

(56) **References Cited**

U.S. PATENT DOCUMENTS

D125,220 S *	2/1941	Stix	D2/786
D151,084 S *	9/1948	Strassner	D2/756
D154,621 S *	7/1949	Morgan	D2/757
D168,174 S *	11/1952	Orloff	D2/850
D171,748 S *	3/1954	Chapman	D2/797
D228,699 S *	10/1973	Keyloun	D2/756
4,670,907 A *	6/1987	Gutterman	A41D 15/002 2/105
D316,924 S *	5/1991	Berberian	D2/840
5,568,779 A *	10/1996	Wong	A41D 27/10 112/441
D459,572 S *	7/2002	Ashida	D2/756
D615,732 S *	5/2010	Van Slovis	D2/857

(Continued)

Primary Examiner — Holly Baynham
Assistant Examiner — James Thorn, Sr.

(74) *Attorney, Agent, or Firm* — Shook, Hardy & Bacon L.L.P.

(57) **CLAIM**

The ornamental design for a pleat structure, as shown and described.

DESCRIPTION

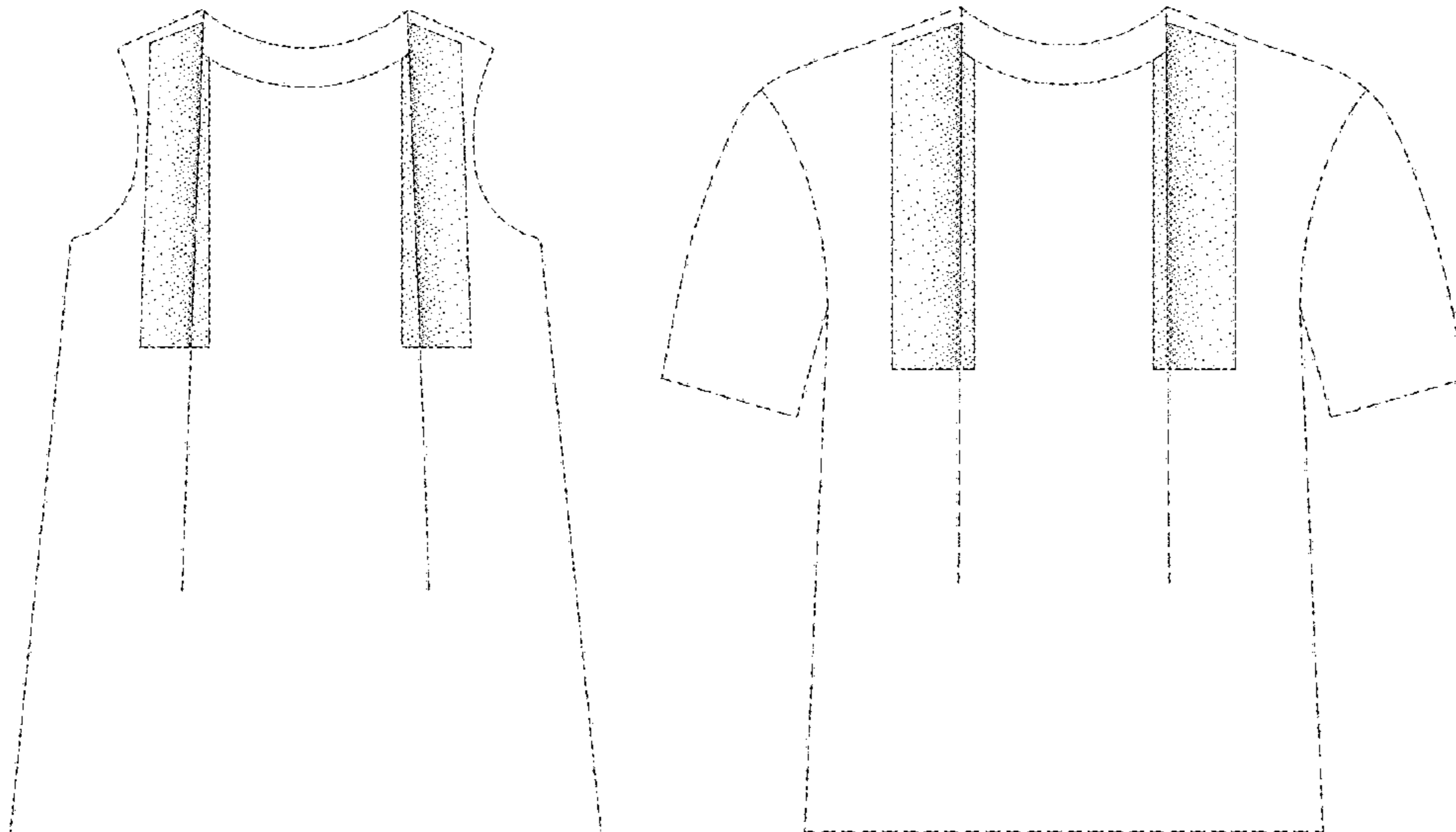
FIG. 1 is a front, lower, right perspective view of a pleat structure, showing the present design within a first environment;
 FIG. 2 is a top-down view thereof;
 FIG. 3 is a front view thereof;
 FIG. 4 is a bottom-up view thereof;
 FIG. 5 is a back view thereof;
 FIG. 6 is a right-side view thereof;
 FIG. 7 is a left-side view thereof;
 FIG. 8 is a front, lower, right perspective view of the design of FIG. 1, shown in a second environment;
 FIG. 9 is a top-down view thereof;
 FIG. 10 is a front view thereof;
 FIG. 11 is bottom-up view thereof;
 FIG. 12 is a left-side view thereof;
 FIG. 13 is a right-side view thereof;
 FIG. 14 is a magnified view of the claimed area depicted in FIGS. 1 and 8; and,
 FIG. 15 is a cross-sectional view thereof.

The long and short broken lines are boundary lines, which define bounds of the claimed design. These boundaries do not exist in reality in the article embodying the design. It is understood that the claimed design extends to these boundaries but does not include the boundaries.

The contrast in shading represents a contrast in appearance only and does not represent any particular color, material, texture or finish.

The broken lines shown in the drawings are included for the purpose of illustrating environmental structure and form no part of the claimed design.

1 Claim, 7 Drawing Sheets



(56)

References Cited

U.S. PATENT DOCUMENTS

D694,491 S	*	12/2013	Miller	D2/739
D714,525 S	*	10/2014	Payne	D2/828
D765,356 S	*	9/2016	Malary, Jr.	D2/858
D784,659 S	*	4/2017	Darmour	D2/840

* cited by examiner

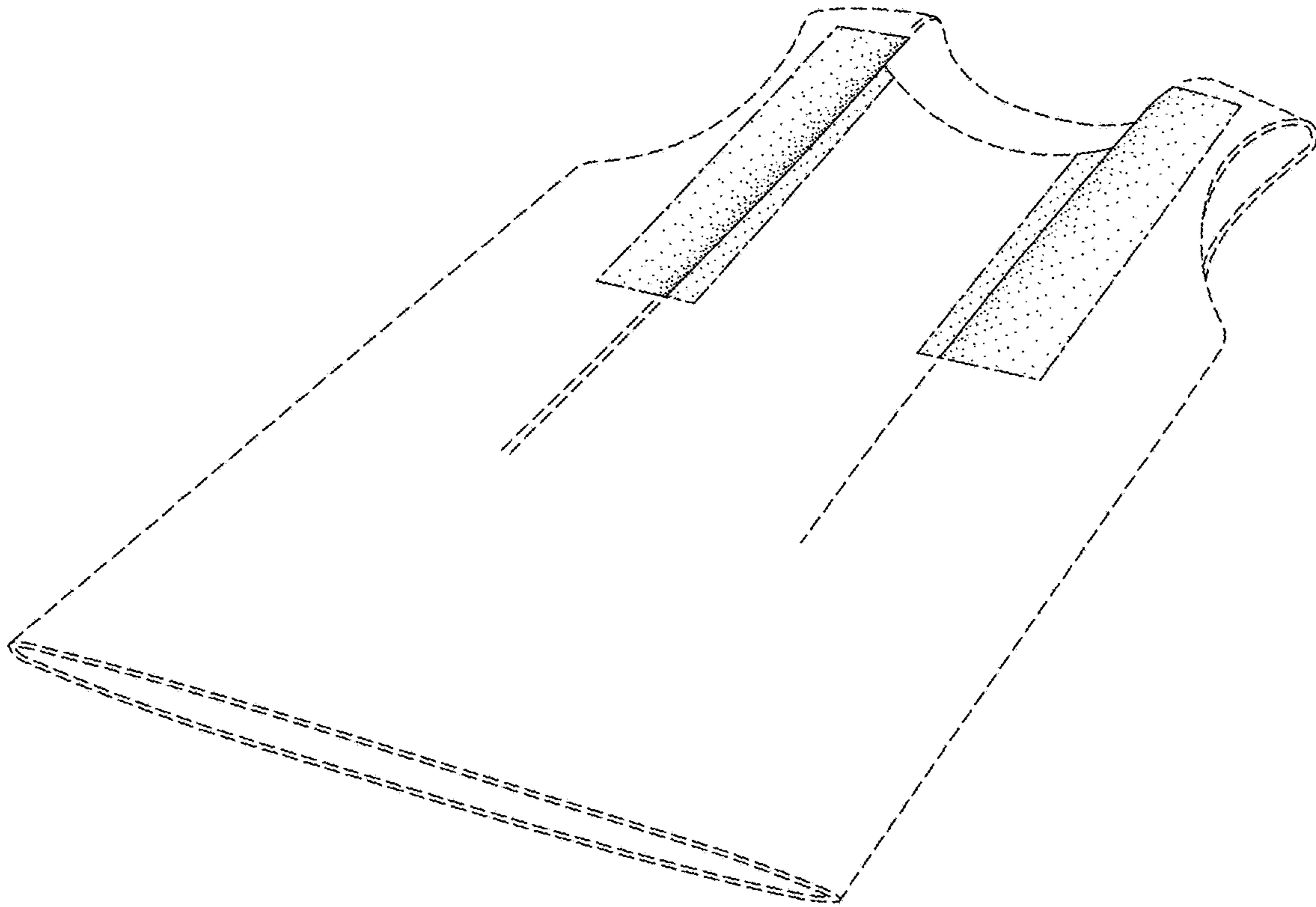


FIG. 1.

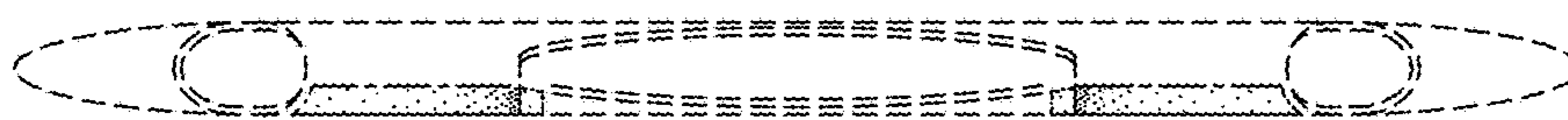


FIG. 2.

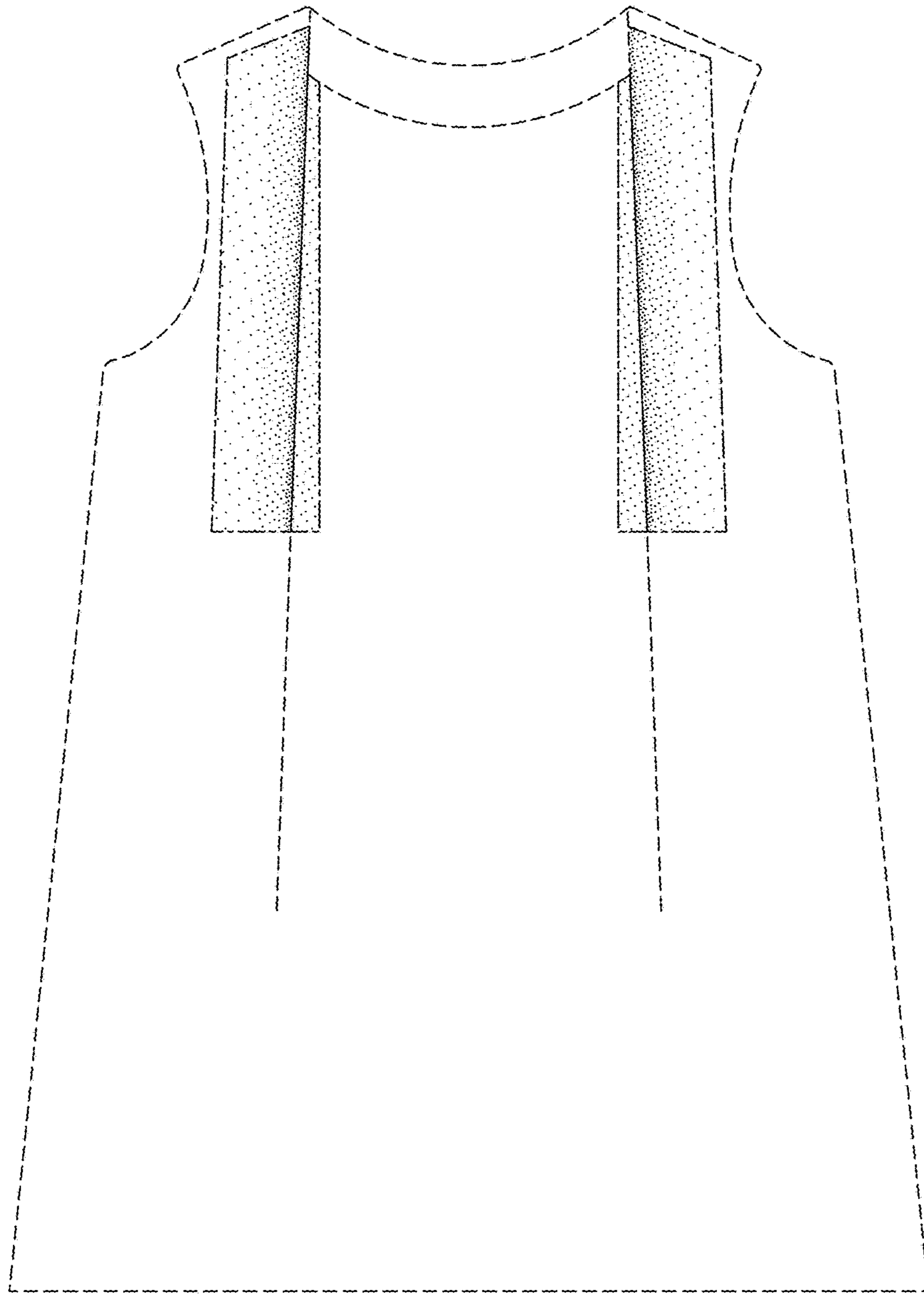


FIG. 3.

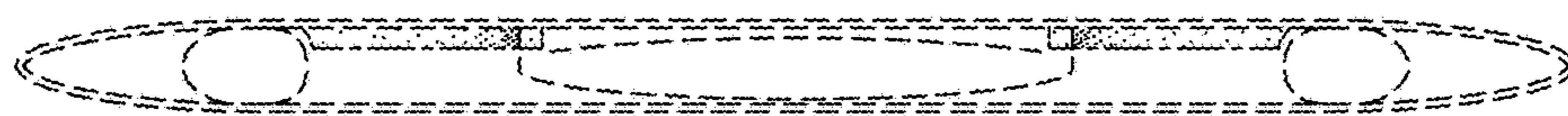


FIG. 4.

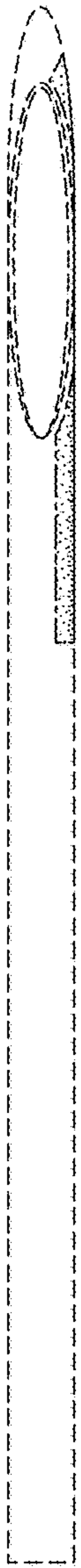


FIG. 7.

FIG. 6.

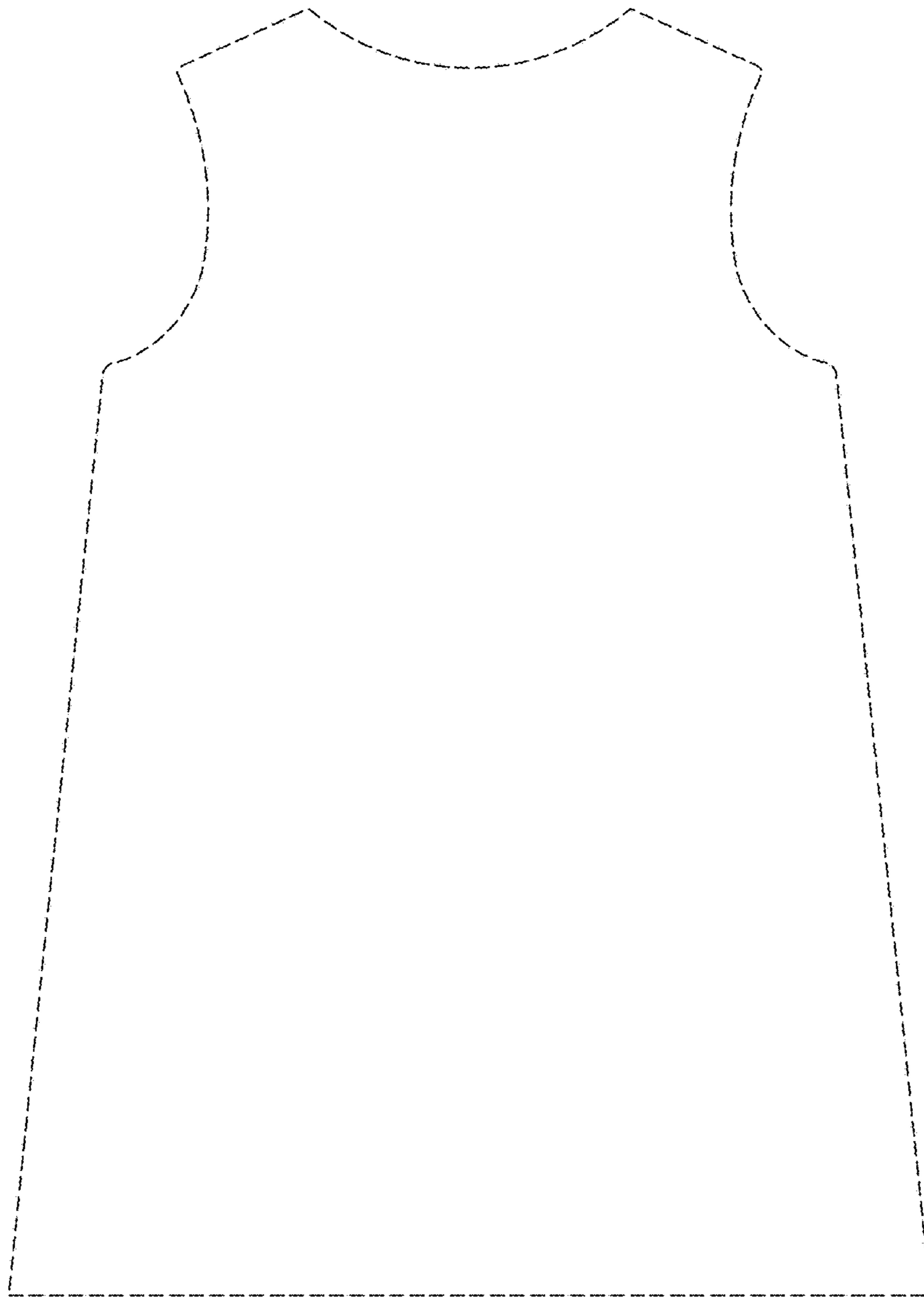
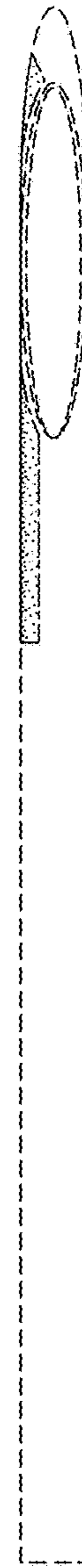


FIG. 5.

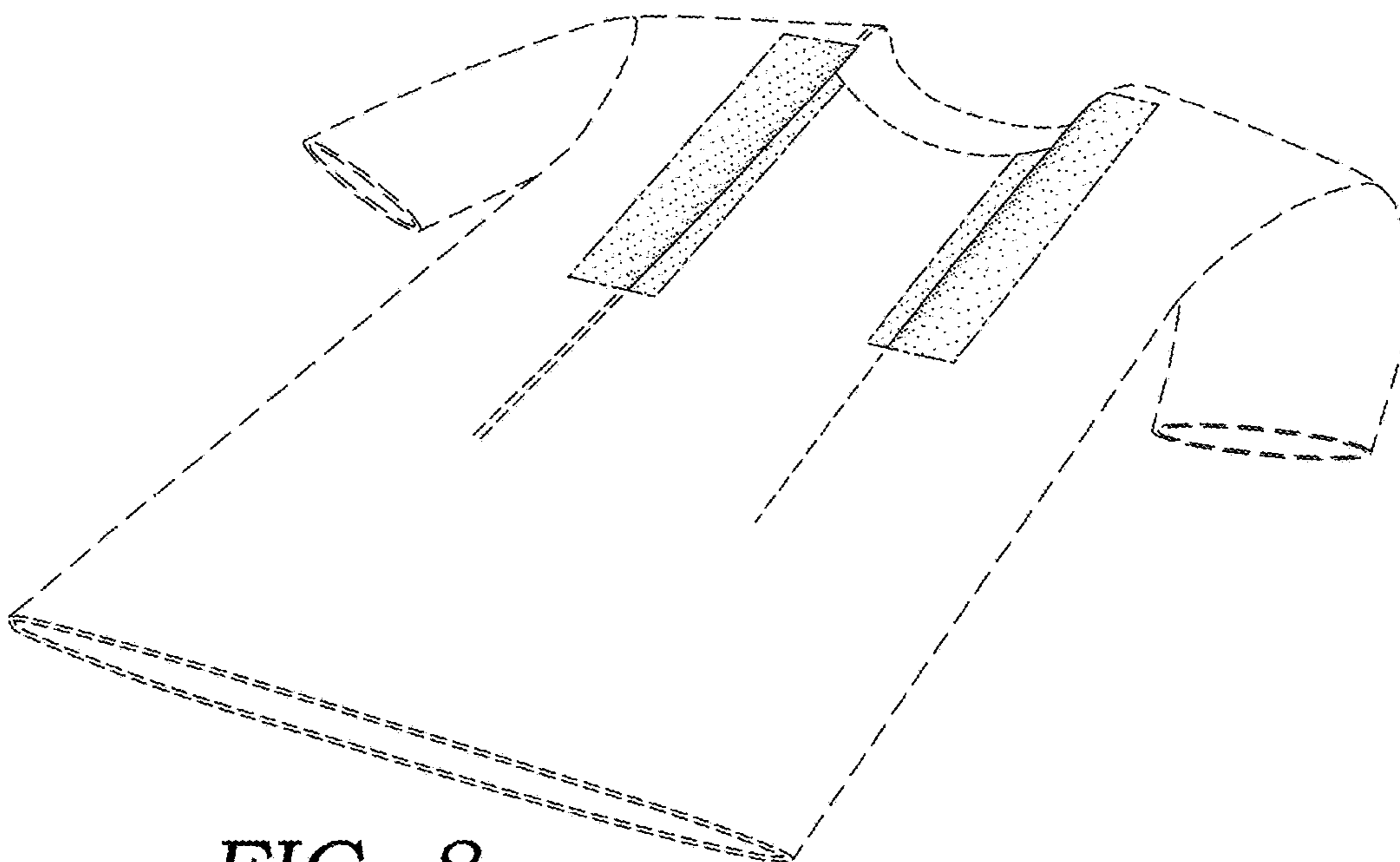


FIG. 8.

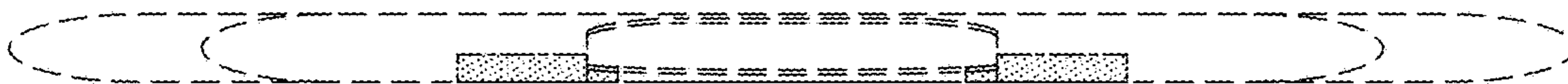


FIG. 9.

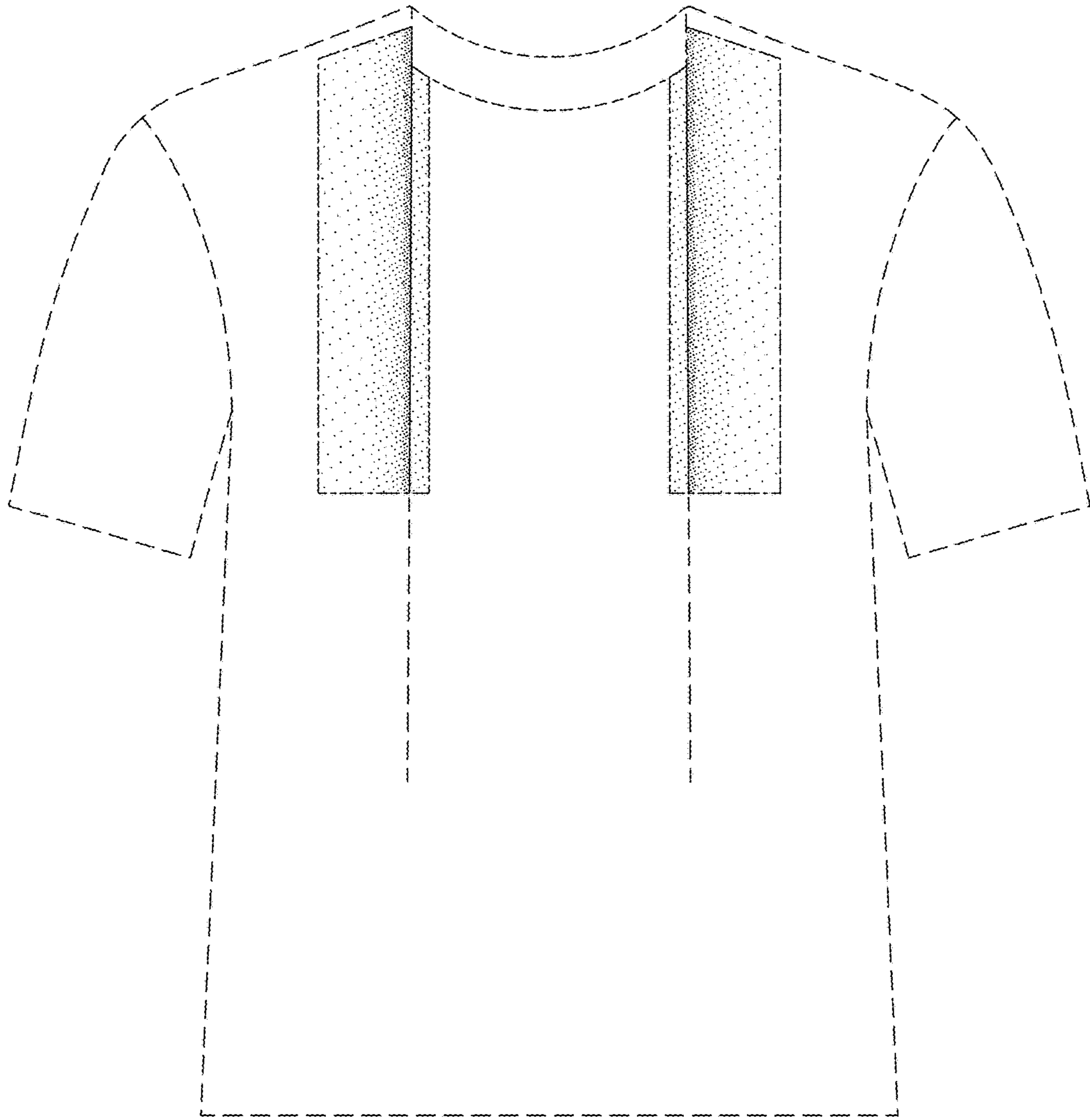


FIG. 10.

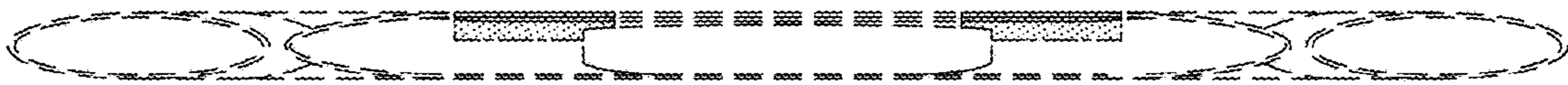


FIG. 11.



FIG. 12.



FIG. 13.

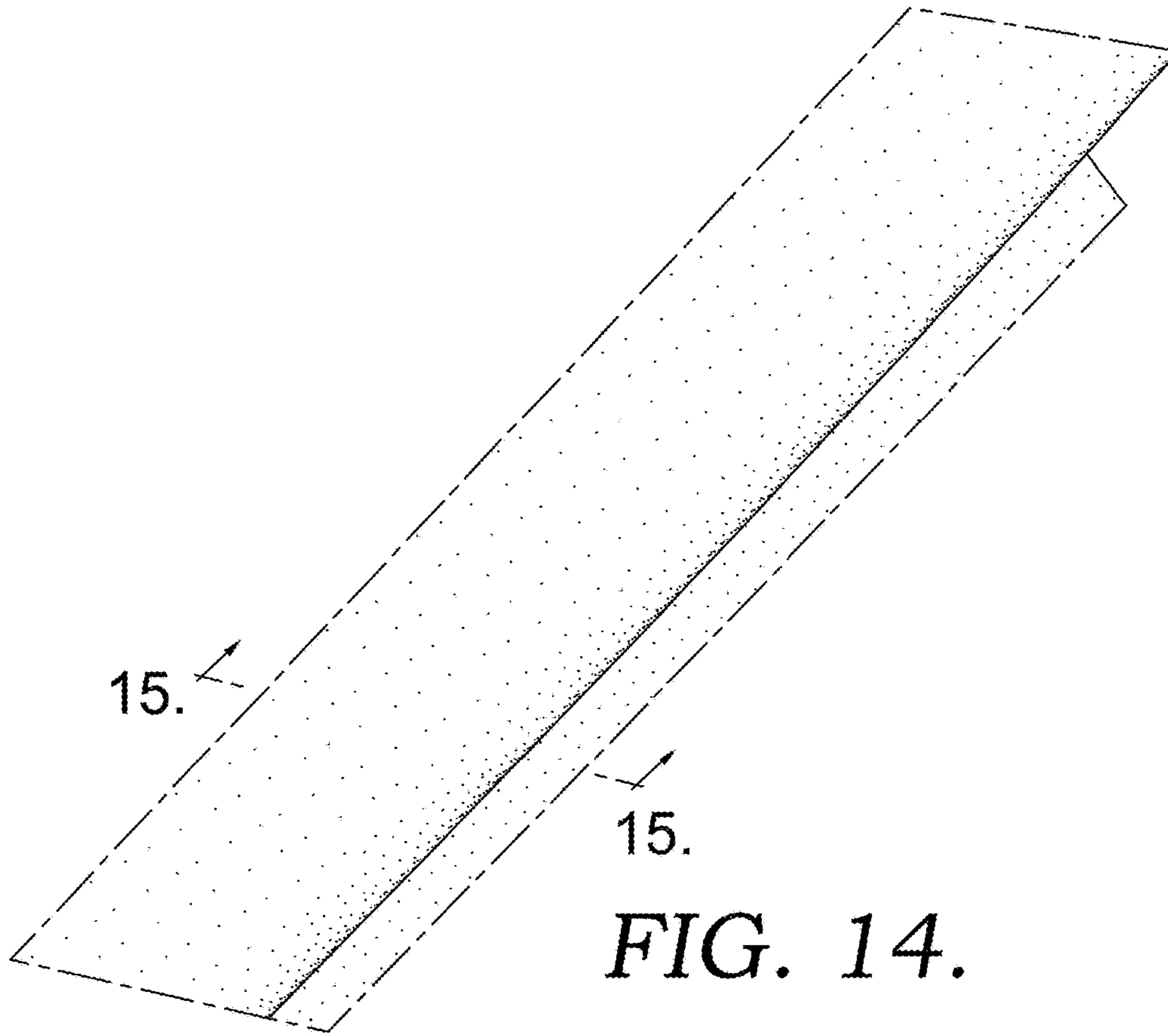


FIG. 14.

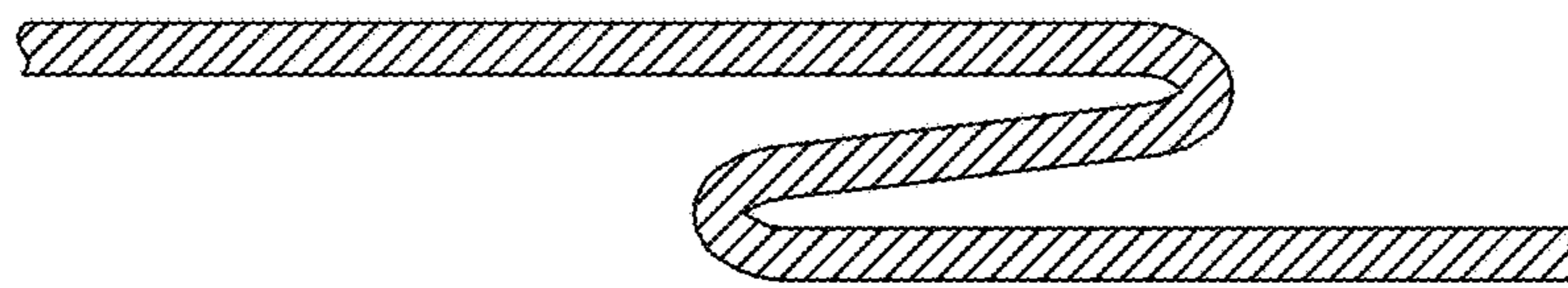


FIG. 15.

UNITED STATES PATENT AND TRADEMARK OFFICE
CERTIFICATE OF CORRECTION

PATENT NO. : D794,902 S
APPLICATION NO. : 29/564872
DATED : August 22, 2017
INVENTOR(S) : Jessica Lomax

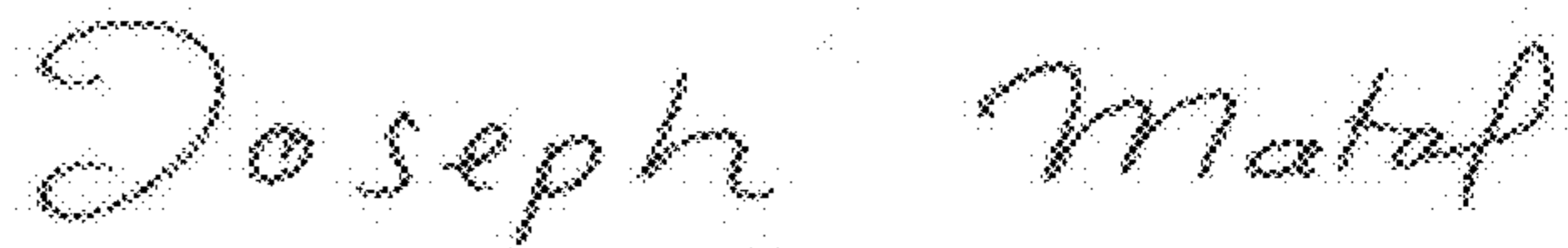
Page 1 of 1

It is certified that error appears in the above-identified patent and that said Letters Patent is hereby corrected as shown below:

In the Description:

Line 18: "FIGS. 1 and 8; and," should read --FIGS. 1 and 8; and--

Signed and Sealed this
Seventeenth Day of October, 2017



Joseph Matal
*Performing the Functions and Duties of the
Under Secretary of Commerce for Intellectual Property and
Director of the United States Patent and Trademark Office*