



US00D794899S

(12) **United States Design Patent**
Yiming

(10) **Patent No.:** **US D794,899 S**

(45) **Date of Patent:** **** Aug. 15, 2017**

- (54) **KEG**
- (71) Applicant: **MoreFlavor, Inc.**, Pittsburg, CA (US)
- (72) Inventor: **Wei Yiming**, Chengdu (CN)
- (73) Assignee: **MoreFlavor, Inc.**, Pittsburg, CA (US)
- (**) Term: **15 Years**
- (21) Appl. No.: **29/565,953**
- (22) Filed: **May 25, 2016**
- (51) **LOC (10) Cl.** **09-02**
- (52) **U.S. Cl.**
USPC **D34/39**
- (58) **Field of Classification Search**
USPC D34/39; D7/306, 307, 313, 398, 512,
D7/301, 300; D9/435, 439; D12/197;
222/183, 137, 81, 91, 85, 400.7, 1;
220/592.18, 592.19, 495.03; 16/2.3;
137/15.12, 15.11, 15.13, 15.24, 15.16;
251/144; D23/259, 260, 261; 62/372
CPC B65D 88/08; B65D 88/26; B65D 90/00;
B65D 90/06
See application file for complete search history.

- 8,646,660 B2 * 2/2014 Bates B65D 7/045
220/495.03
- 8,777,056 B2 * 7/2014 Bates B65D 7/045
222/400.7
- D732,262 S * 6/2015 Pellham D34/39
- D735,436 S * 7/2015 Lehman D34/39
- D752,839 S * 3/2016 Lehman D34/39
- 9,428,720 B2 * 8/2016 Lehman C12C 13/10

* cited by examiner

Primary Examiner — Cynthia Ramirez

Assistant Examiner — Michael Maharajh

(74) *Attorney, Agent, or Firm* — Brian Beverly; Beeson
Skinner Beverly, LLP

(57) **CLAIM**

The ornamental design for a keg, as shown and described.

DESCRIPTION

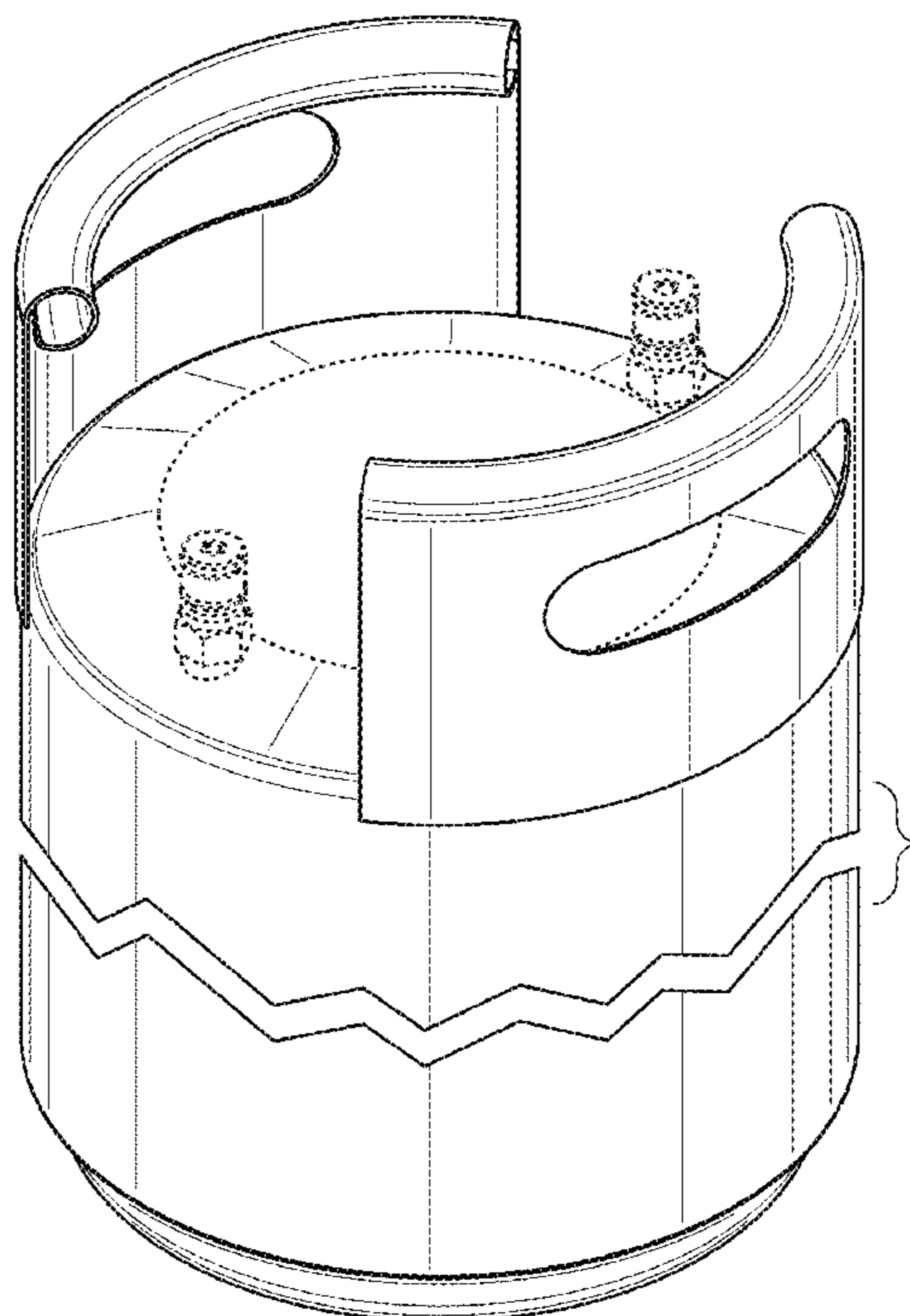
FIG. 1 is a top perspective view of a keg, showing our new design;
 FIG. 2 is a front elevational view thereof, the rear elevational view being identical;
 FIG. 3 is a left side elevational view thereof, the right side elevational view being identical;
 FIG. 4 is a top plan view thereof; and,
 FIG. 5 is a bottom plan view thereof.
 The broken lines in FIGS. 1-4 showing a portion of the top of the keg and two fittings are for the purpose of illustrating portions of the keg that form no part of the claimed design. The keg is shown with a symbolic break in the middle. The appearance of any portion of the article between the break lines forms no part of the claimed design.

1 Claim, 3 Drawing Sheets

(56) **References Cited**

U.S. PATENT DOCUMENTS

- 5,165,569 A * 11/1992 Furuhashi B65D 7/045
220/592.19
- 5,203,181 A * 4/1993 Brossia B65D 7/045
62/372
- D574,574 S * 8/2008 Bax D34/39



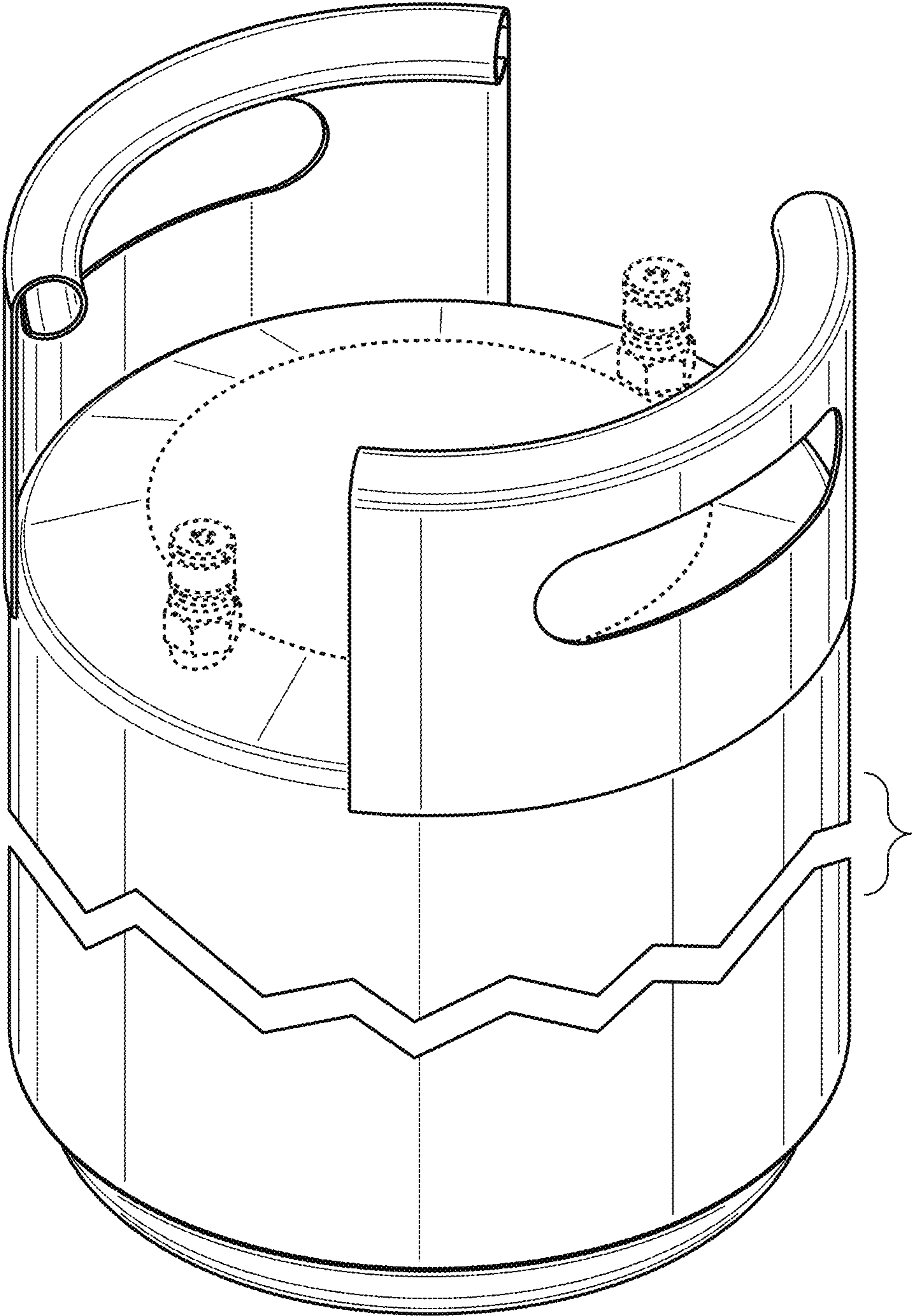


FIG. 1

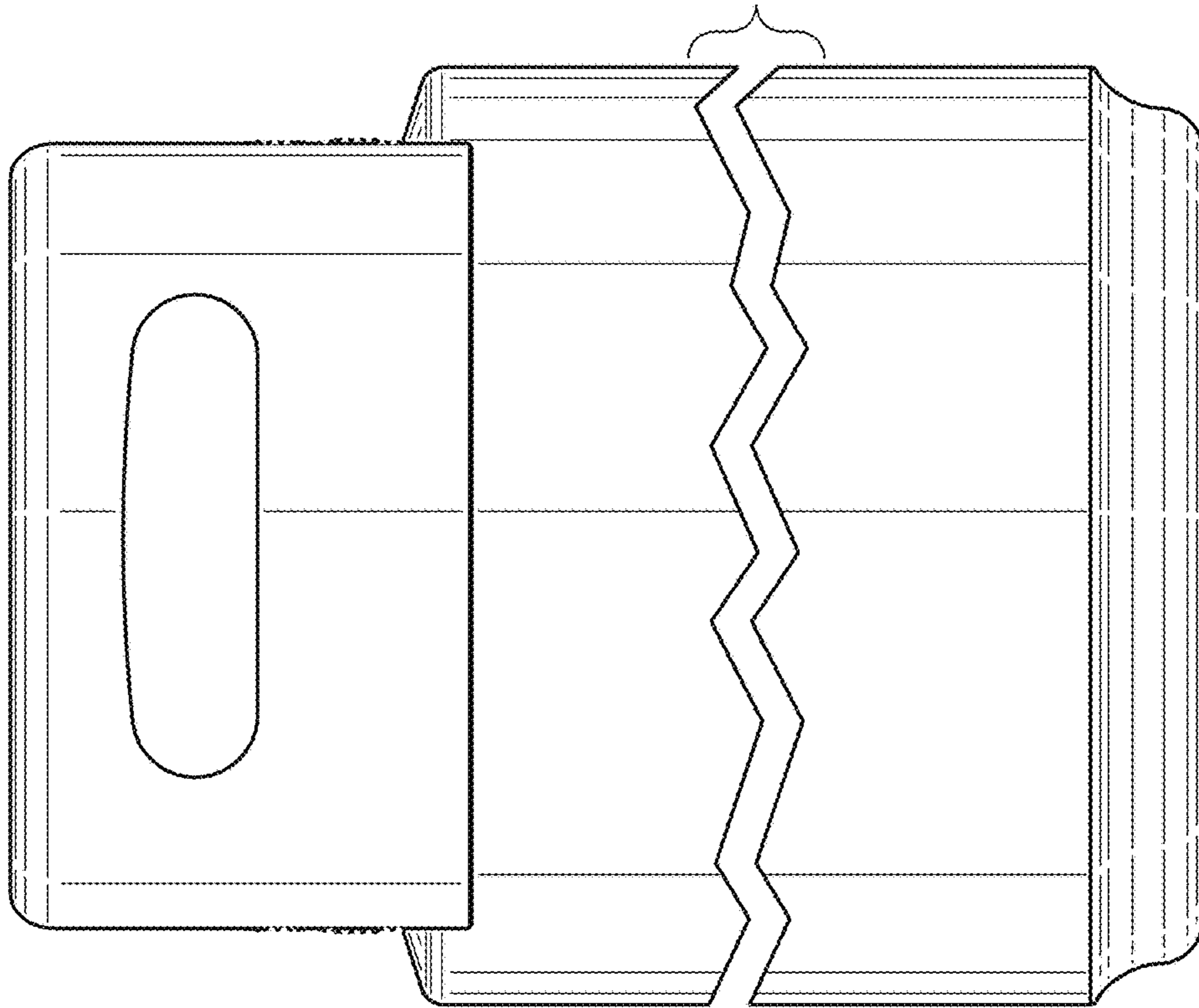


FIG. 3

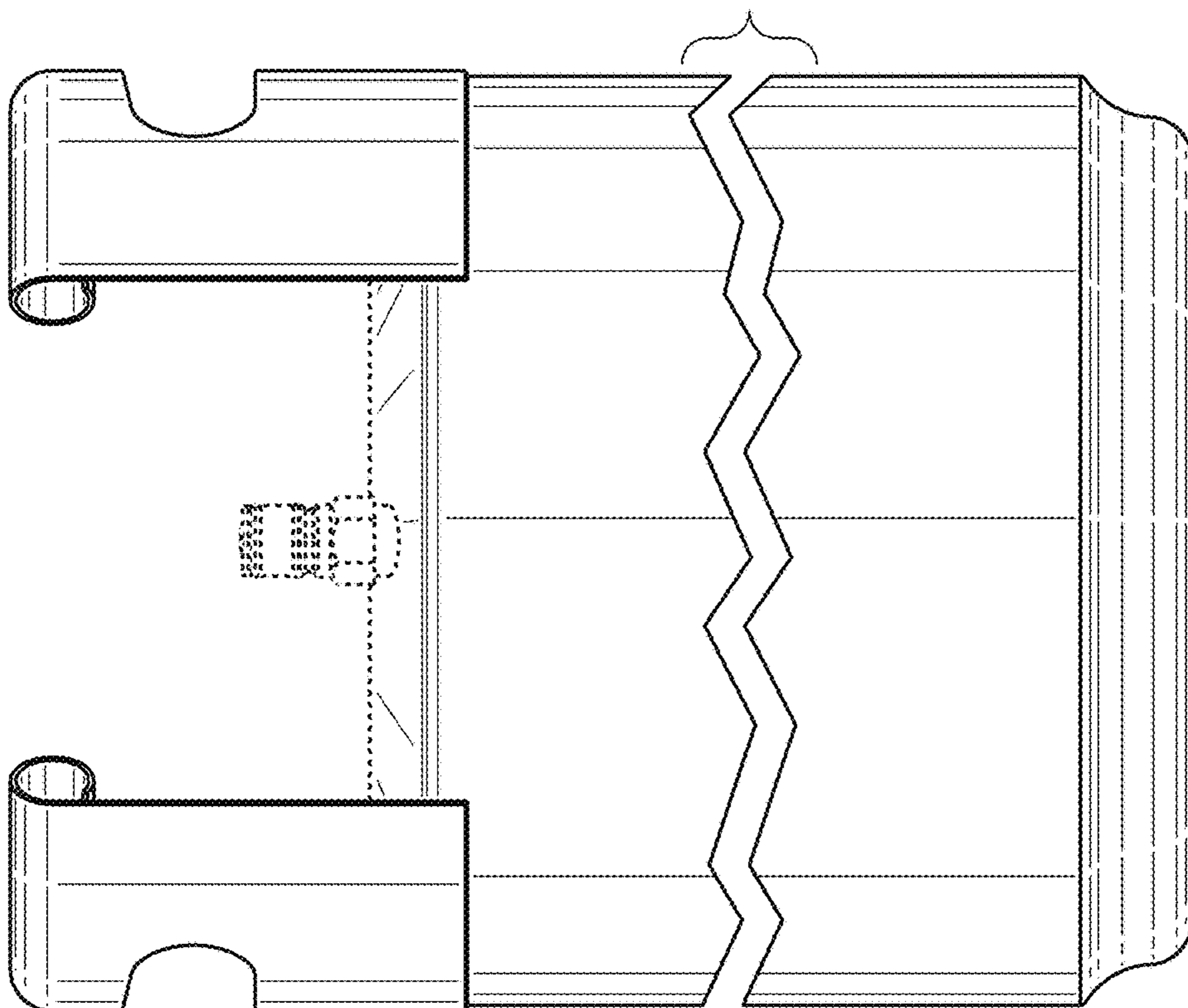


FIG. 2

FIG. 4

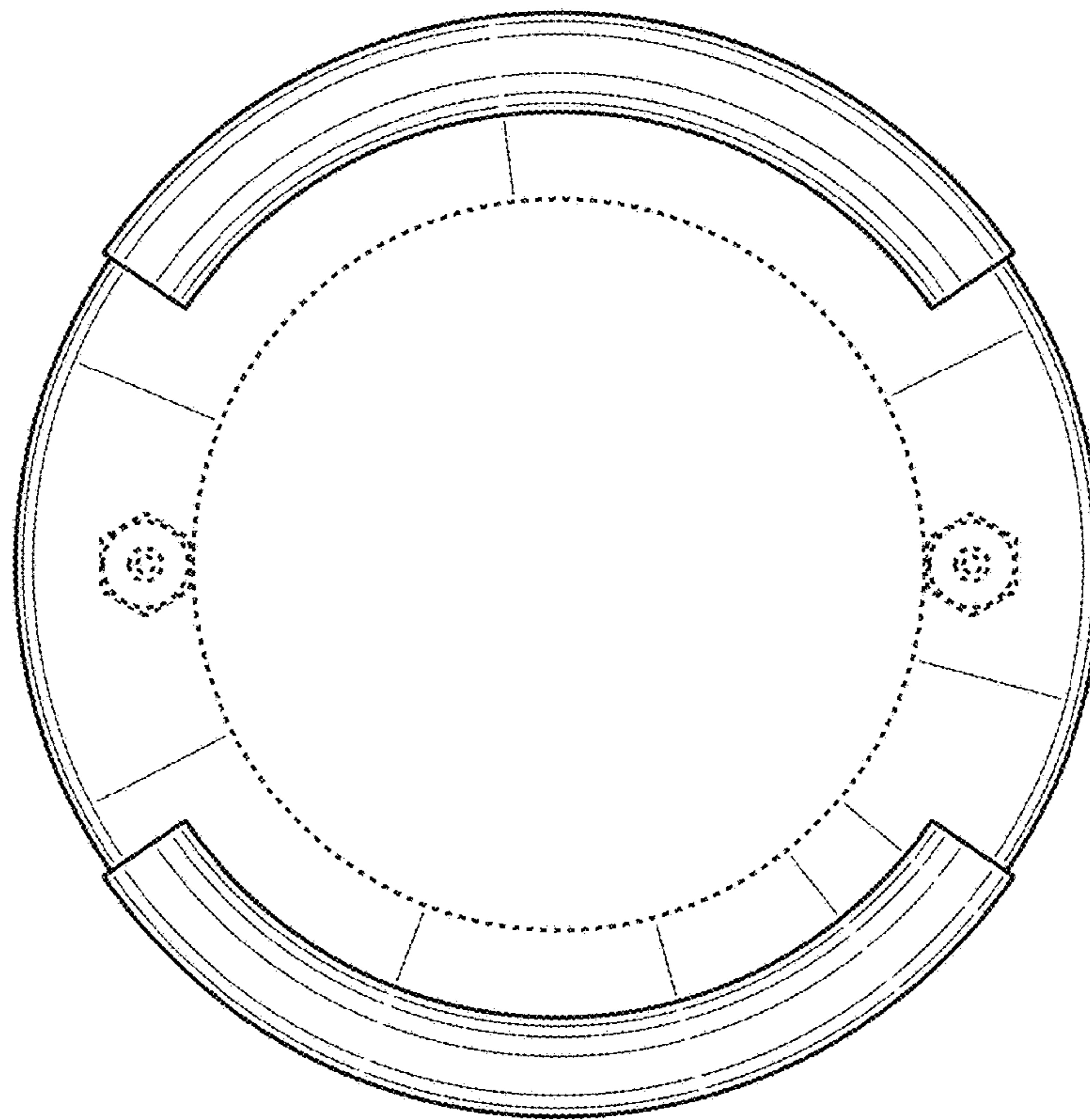


FIG. 5

