



US00D794896S

(12) **United States Design Patent**
Liao

(10) **Patent No.:** **US D794,896 S**

(45) **Date of Patent:** **** Aug. 15, 2017**

- (54) **PUSH CART FOR GOLF**
- (71) Applicant: **UNIQUE PRODUCT & DESIGN CO., LTD.**, Tainan (TW)
- (72) Inventor: **Tsoun-Yong Liao**, Tainan (TW)
- (73) Assignee: **Unique Product & Design Co., Ltd.**, Tainan (TW)

D657,522 S *	4/2012	Liao	D34/15
D657,524 S *	4/2012	Liao	D34/15
D664,732 S *	7/2012	Liao	D34/15
D703,411 S *	4/2014	Lin	D34/15
D709,663 S *	7/2014	Welker	D34/15
D767,845 S *	9/2016	Kimberley	D34/15

(**) Term: **15 Years**

(21) Appl. No.: **29/559,424**

(22) Filed: **Mar. 28, 2016**

(30) **Foreign Application Priority Data**

Nov. 10, 2015 (CN) 2015 1 0755678

(51) **LOC (10) Cl.** **12-02**

(52) **U.S. Cl.**
USPC **D34/15**

(58) **Field of Classification Search**
USPC D34/15; 280/62, DIG. 6, 641, 642, 651,
280/646, 47.24, 47.26, 39, 40, 33.991,
280/33.992, 33.993

CPC . B62B 2202/404; B62B 3/02; B62B 2205/24;
B62B 2205/00

See application file for complete search history.

(56) **References Cited**

U.S. PATENT DOCUMENTS

D556,414 S *	11/2007	Gong	D34/15
D570,571 S *	6/2008	Liao	D34/15
D599,522 S *	9/2009	Wu	D34/15
D638,601 S *	5/2011	Lin	D34/15
D648,913 S *	11/2011	Fung	D34/15

FOREIGN PATENT DOCUMENTS

TW D146406 4/2012

OTHER PUBLICATIONS

Office Action of corresponding TW application, published on Jul. 15, 2016.

List of references cited in TW Office Action of Jul. 15, 2016.

* cited by examiner

Primary Examiner — Cynthia Ramirez

(74) *Attorney, Agent, or Firm* — Wang Law Firm, Inc.

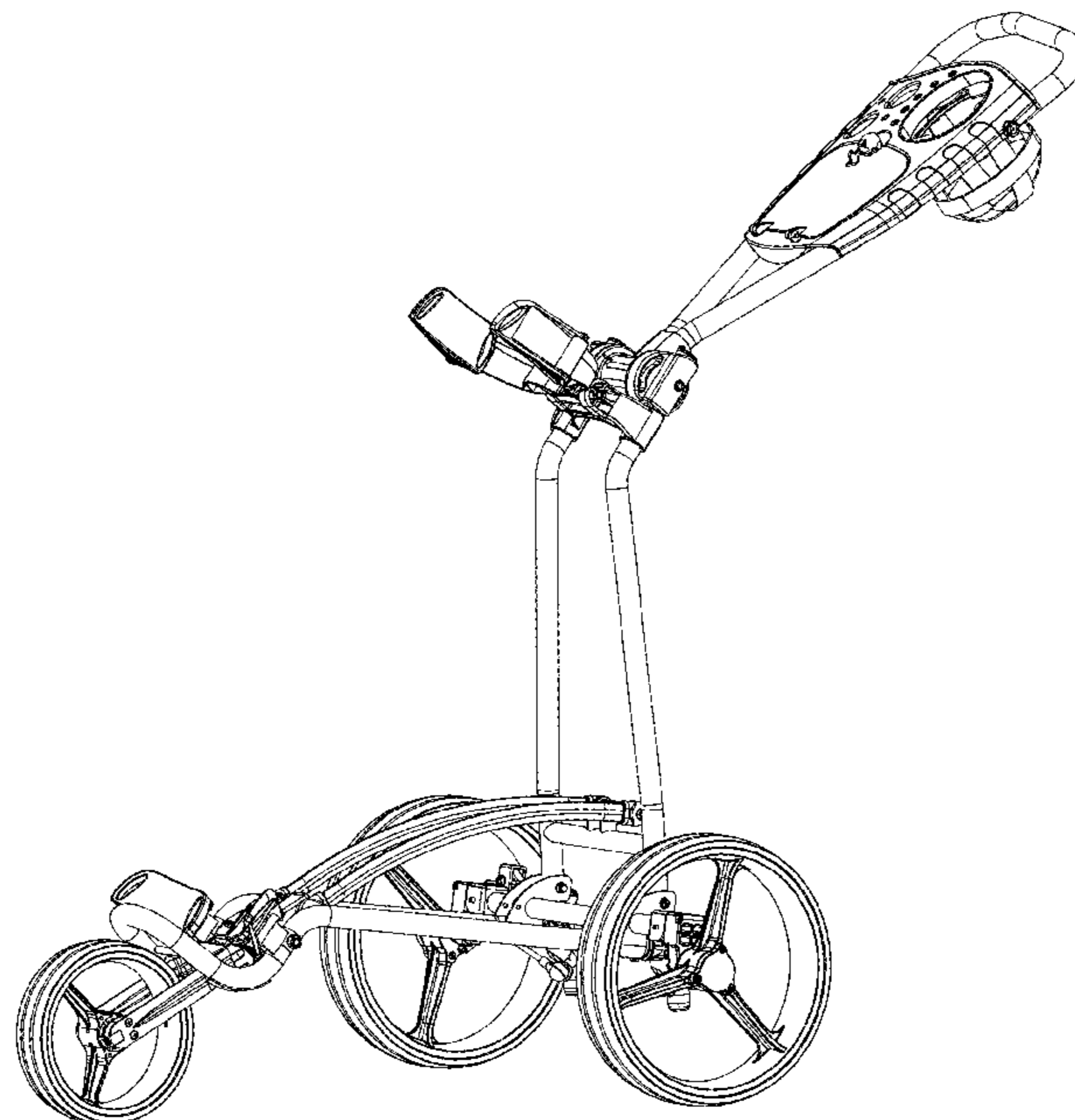
(57) **CLAIM**

The ornamental design for a push cart for golf, as shown and described.

DESCRIPTION

FIG. 1 is a front perspective view of a push cart for golf, showing our new design;
 FIG. 2 is a front elevational view thereof;
 FIG. 3 is a rear elevational view thereof;
 FIG. 4 is a left side elevational view thereof;
 FIG. 5 is a right side elevational view thereof;
 FIG. 6 is a top elevational view thereof;
 FIG. 7 is a bottom elevational view thereof;
 FIG. 8 is a folded state reference view thereof; and,
 FIG. 9 is a folded state reference view thereof.

1 Claim, 9 Drawing Sheets



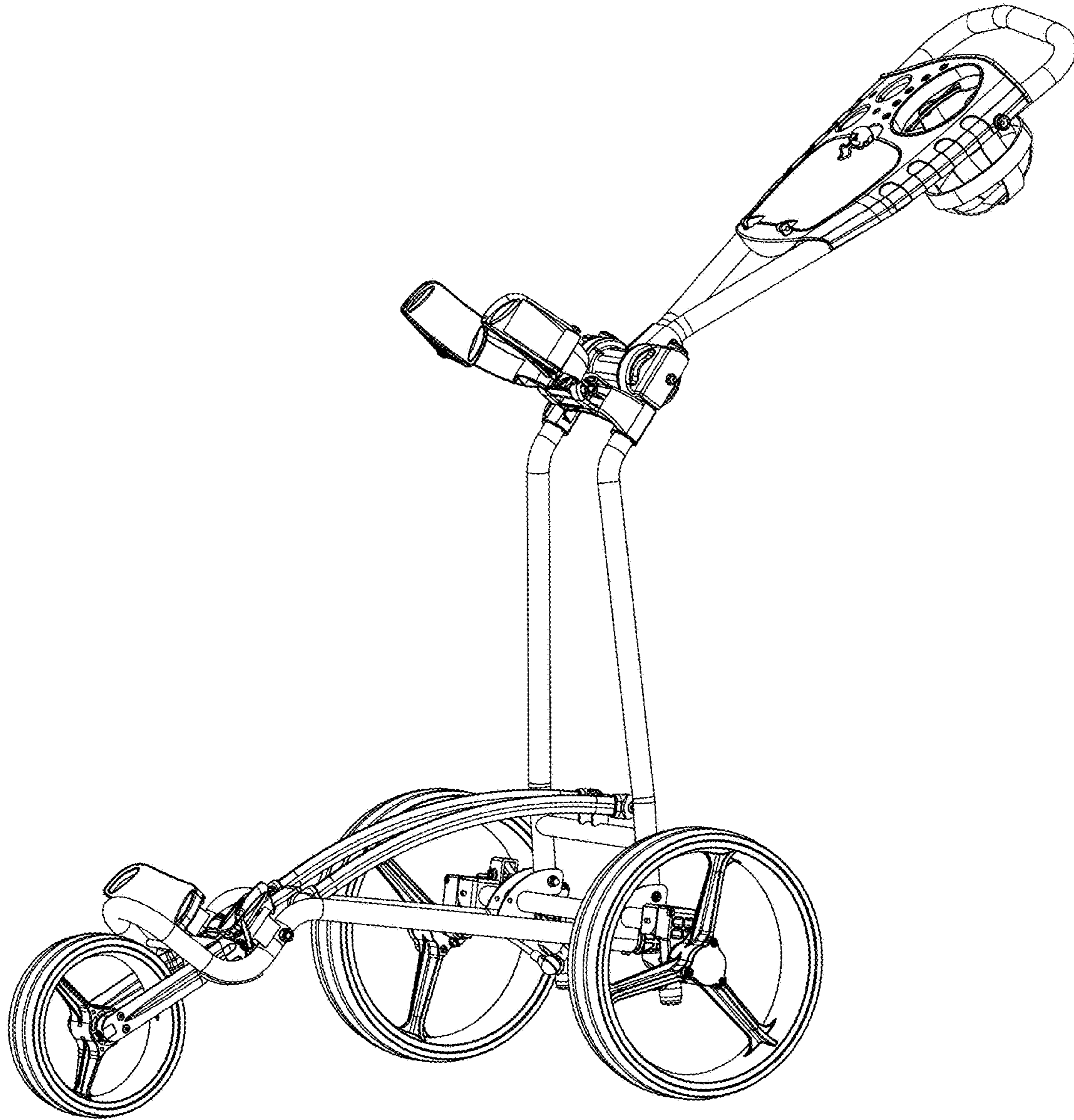


FIG. 1

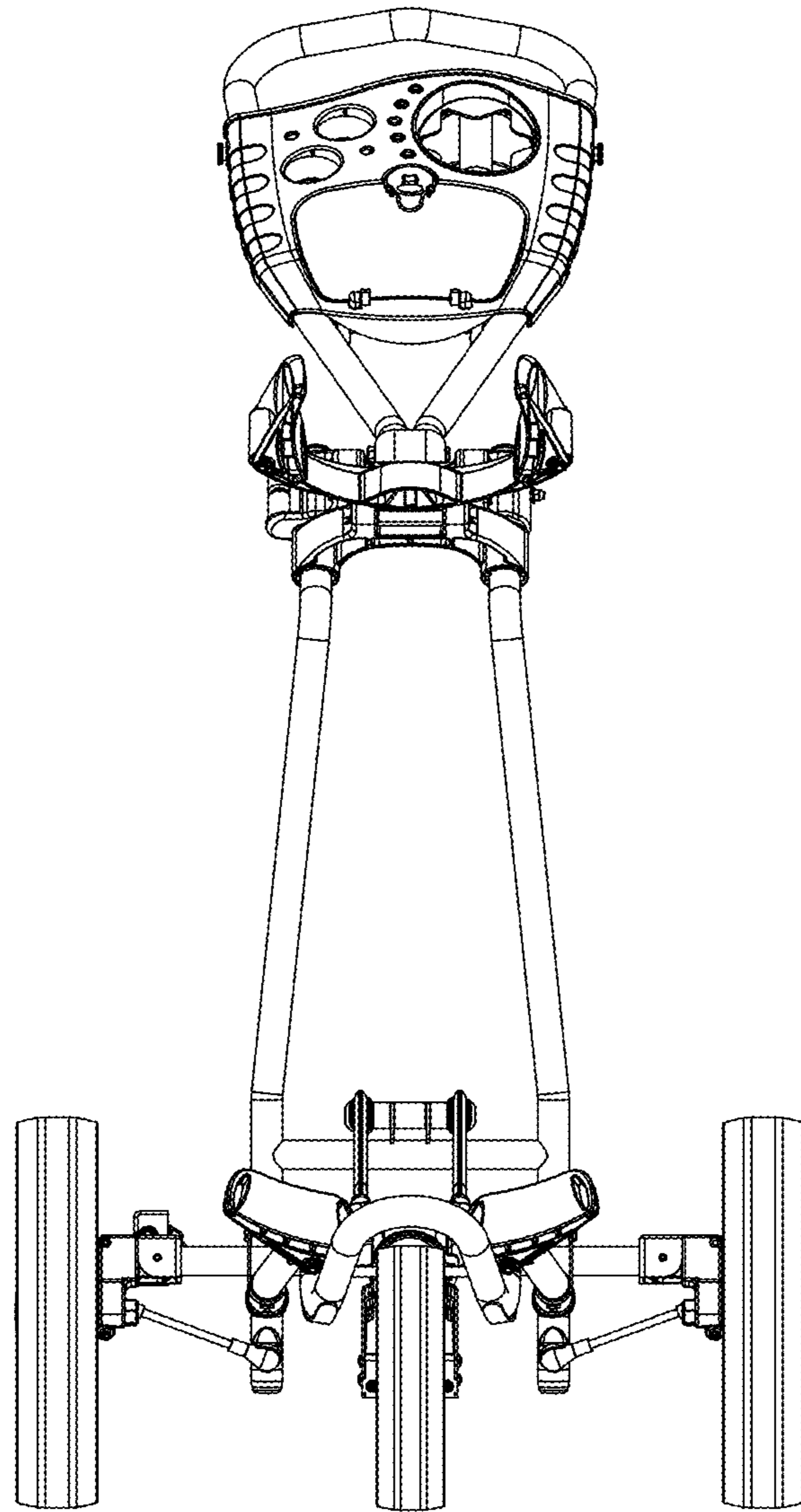


FIG. 2

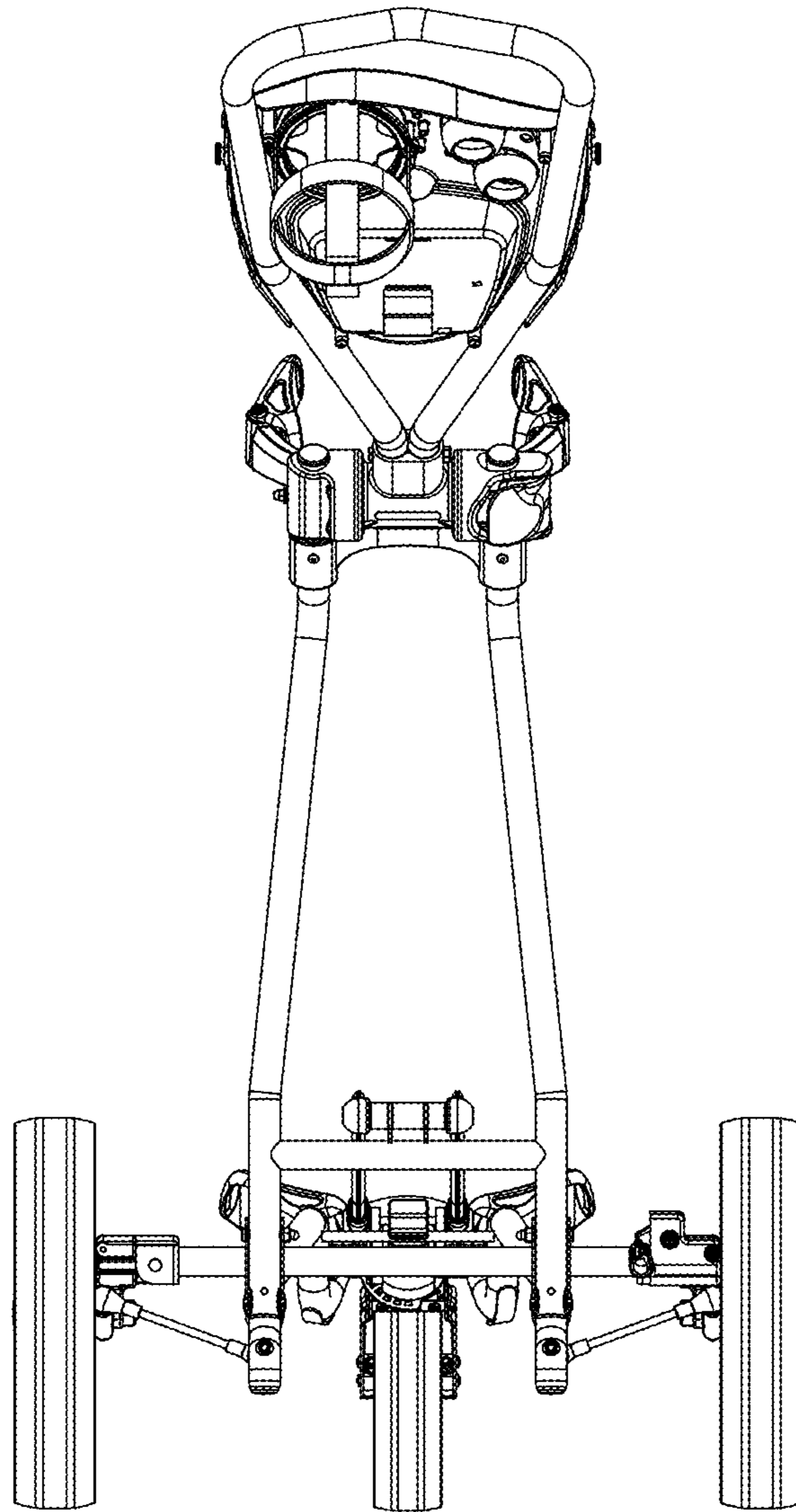


FIG. 3

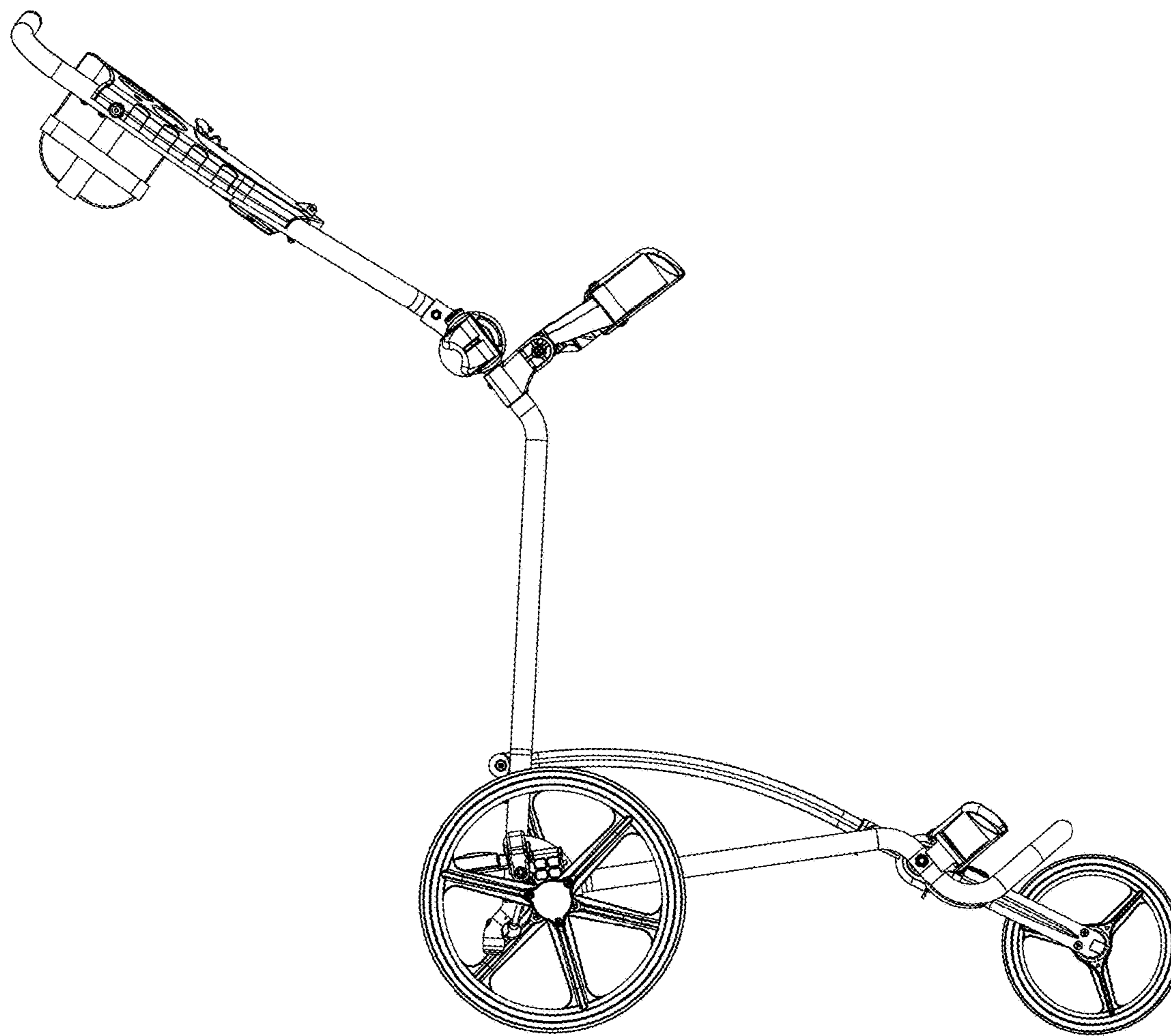


FIG. 4

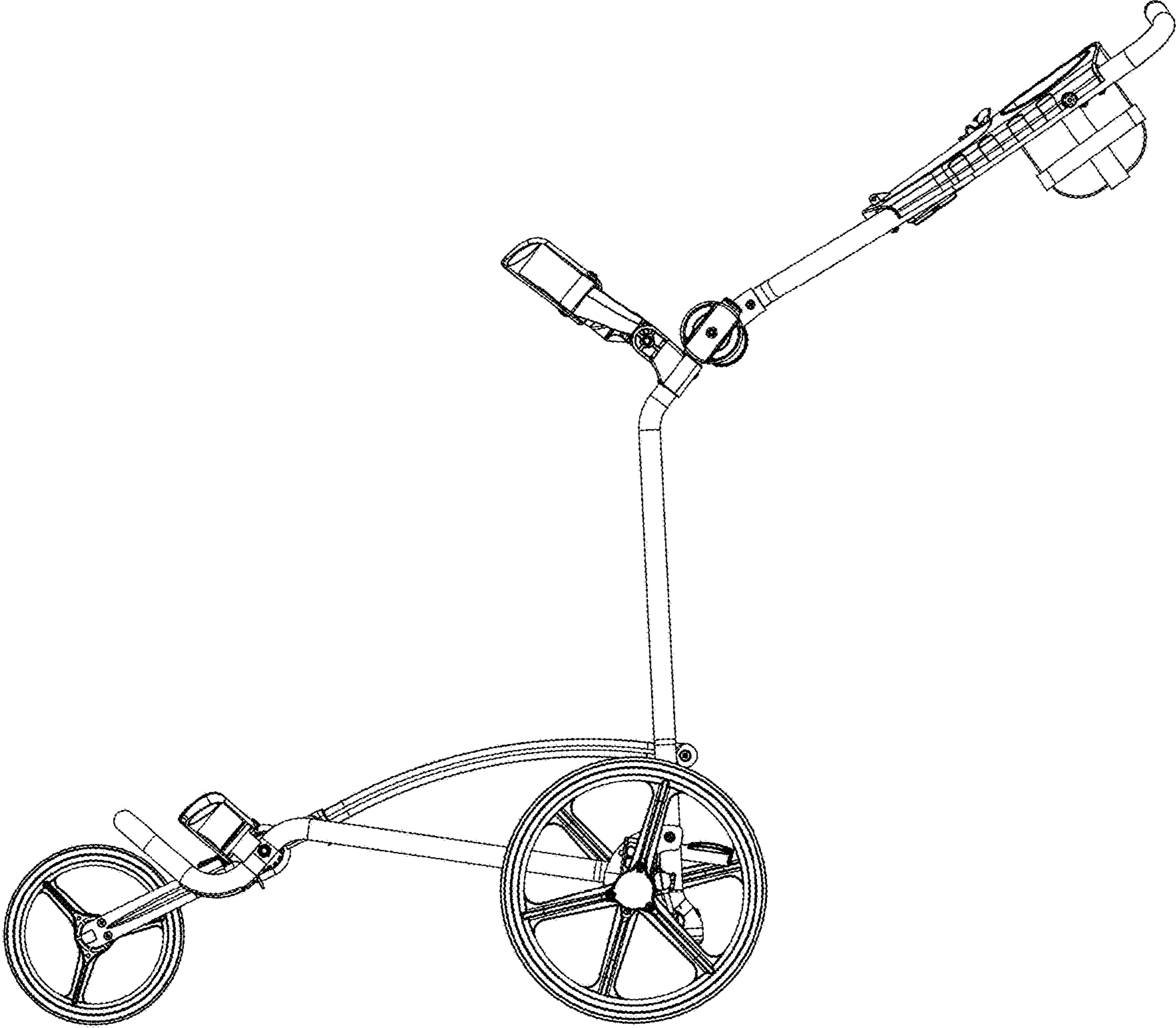


FIG. 5

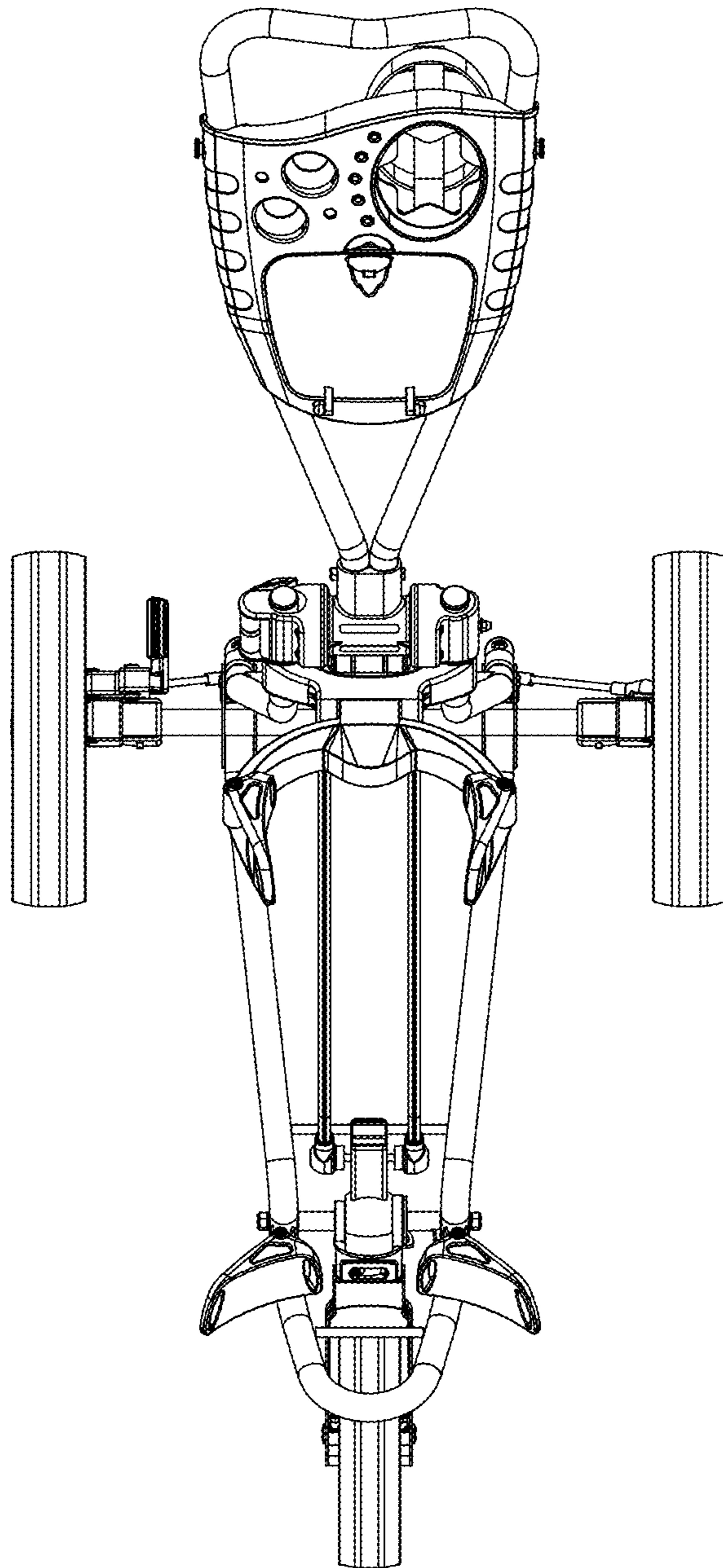


FIG. 6

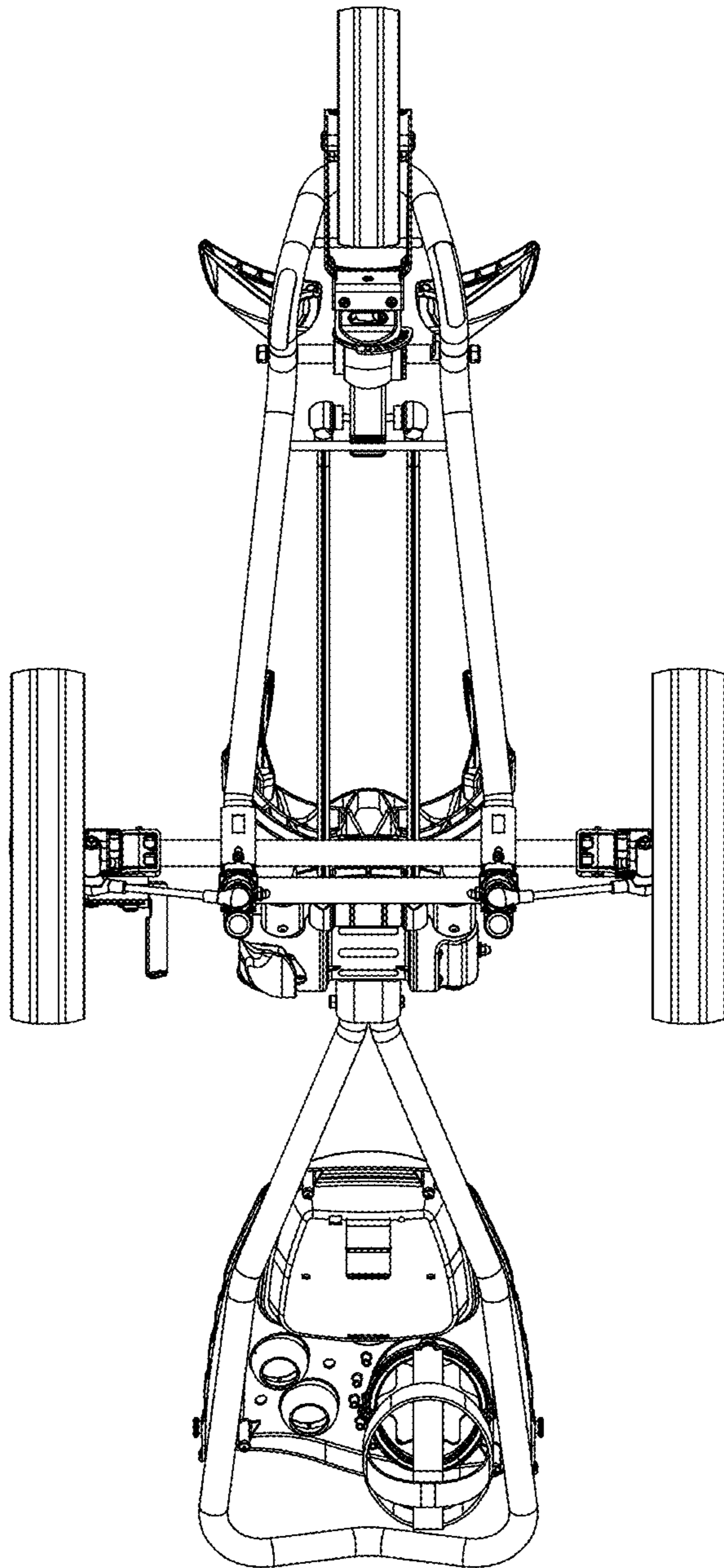


FIG. 7

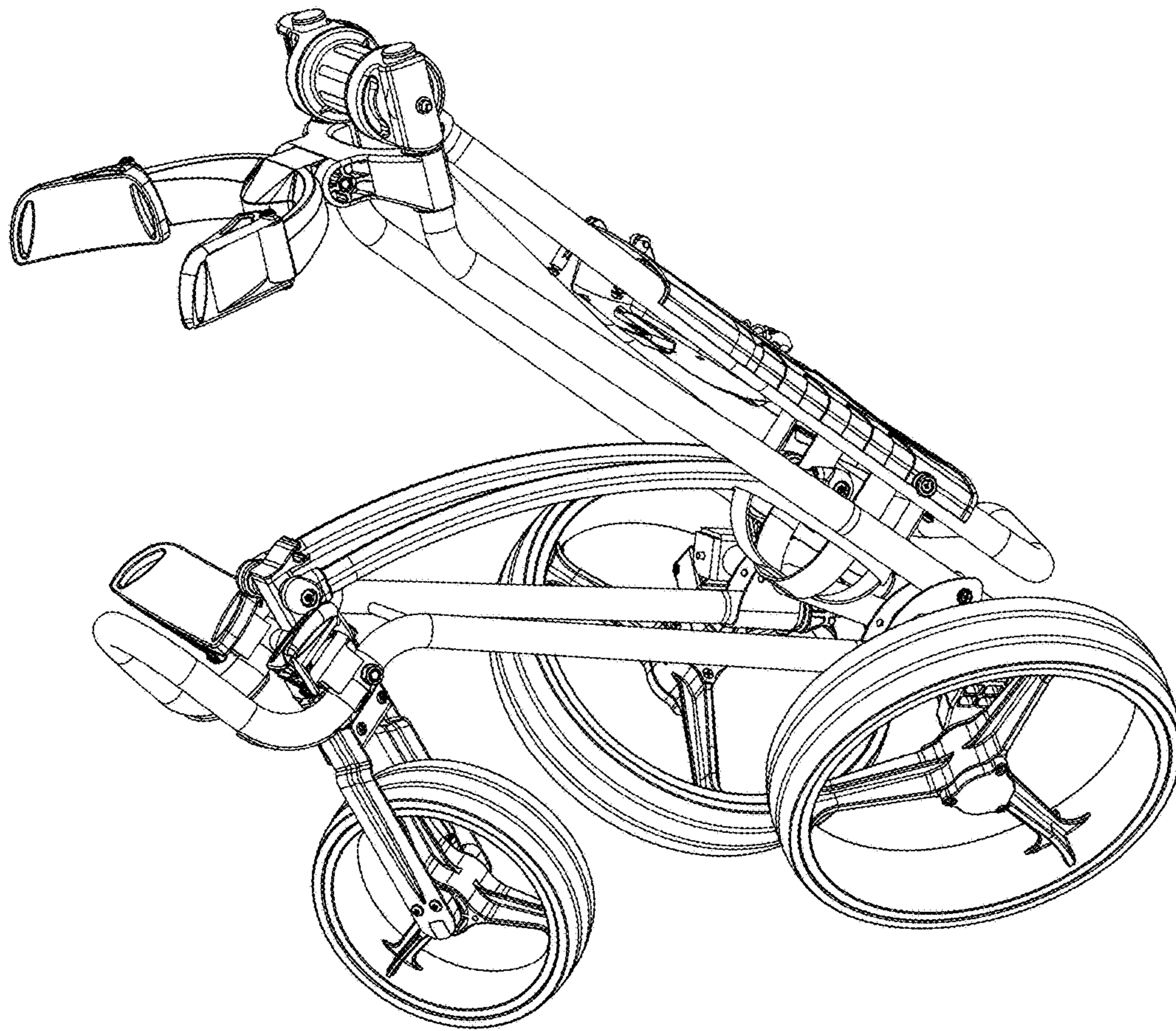


FIG. 8

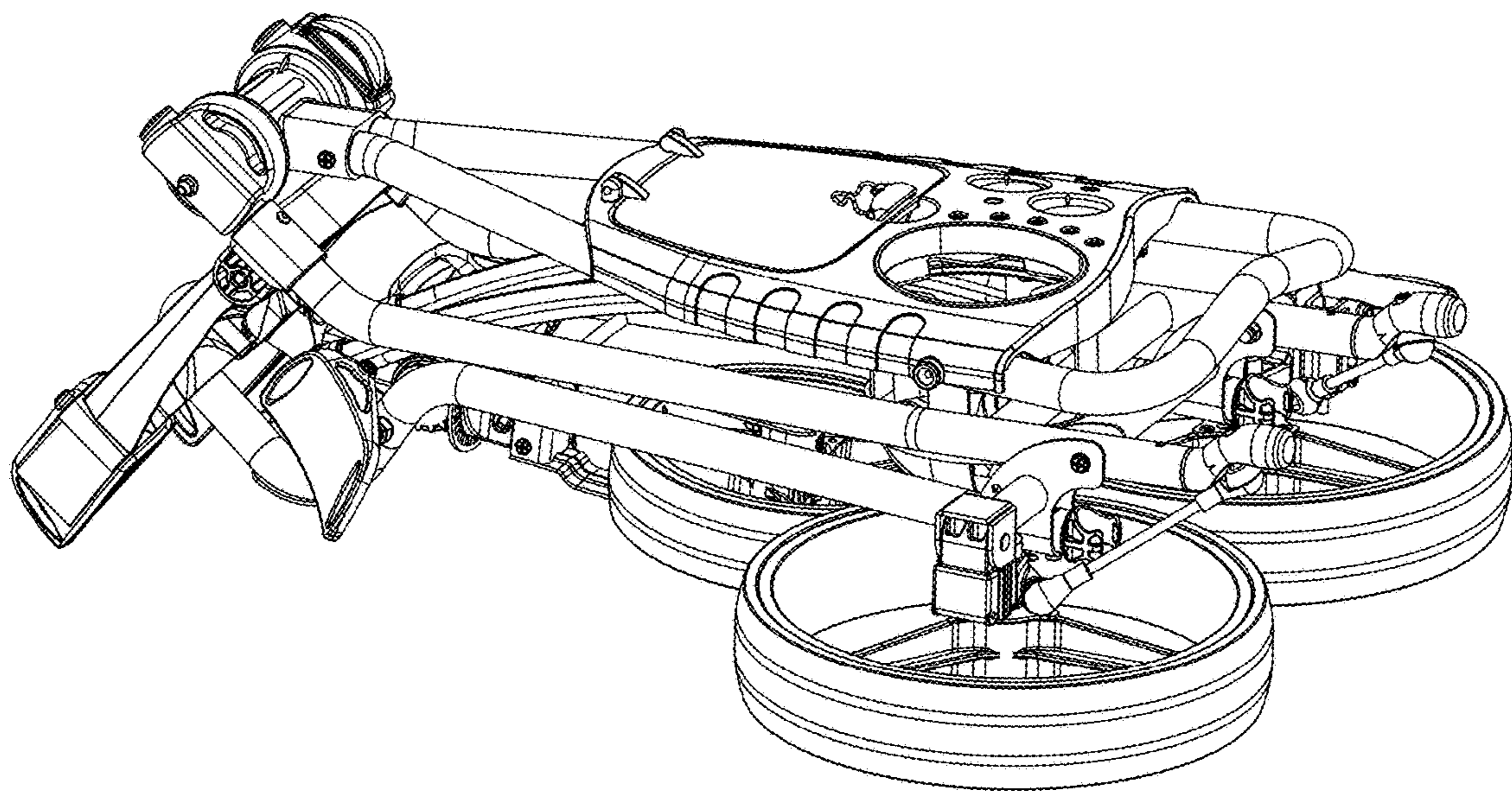


FIG. 9