

US00D794895S

(12) **United States Design Patent**
Goodman et al.

(10) **Patent No.:** **US D794,895 S**

(45) **Date of Patent:** **** Aug. 15, 2017**

(54) **TRASH BAG HOLDER**

(71) Applicant: **Spectrum Diversified Designs, LLC**,
Streetsboro, OH (US)

(72) Inventors: **Aaron D. Goodman**, Beachwood, OH
(US); **Phaysouk Xayoiphonh**, Akron,
OH (US); **Wenyue Wang**, Stow, OH
(US)

(73) Assignee: **Spectrum Diversified Designs, LLC**,
Streetsboro, OH (US)

(**) Term: **15 Years**

(21) Appl. No.: **29/554,844**

(22) Filed: **Feb. 16, 2016**

(51) **LOC (10) Cl.** **09-09**

(52) **U.S. Cl.**
USPC **D34/6**

(58) **Field of Classification Search**
USPC D34/6; 248/95, 97, 98, 99, 100
CPC . B65B 67/1227; B65B 67/12; B65B 67/1238;
B65F 1/141; B65F 1/1415; B65F 1/0066
See application file for complete search history.

(56) **References Cited**

U.S. PATENT DOCUMENTS

840,316 A * 1/1907 Gregory B65B 67/1227
248/100
4,838,504 A * 6/1989 Bittenbinder B65B 67/1227
248/100

D319,125 S * 8/1991 Currie D34/6
5,350,142 A * 9/1994 Kurtzman B65B 67/1227
248/95
D354,645 S * 1/1995 Green D6/566
D362,577 S * 9/1995 Green D6/566
D460,234 S * 7/2002 King D34/6
D571,518 S * 6/2008 Waldman D34/6
D626,712 S * 11/2010 Klein D34/6
D665,550 S * 8/2012 Connor D34/5
8,770,531 B2 * 7/2014 Cundy B65B 67/1227
220/485

* cited by examiner

Primary Examiner — Cynthia Ramirez

(74) *Attorney, Agent, or Firm* — Benesch, Friedlander,
Coplan & Aronoff LLP

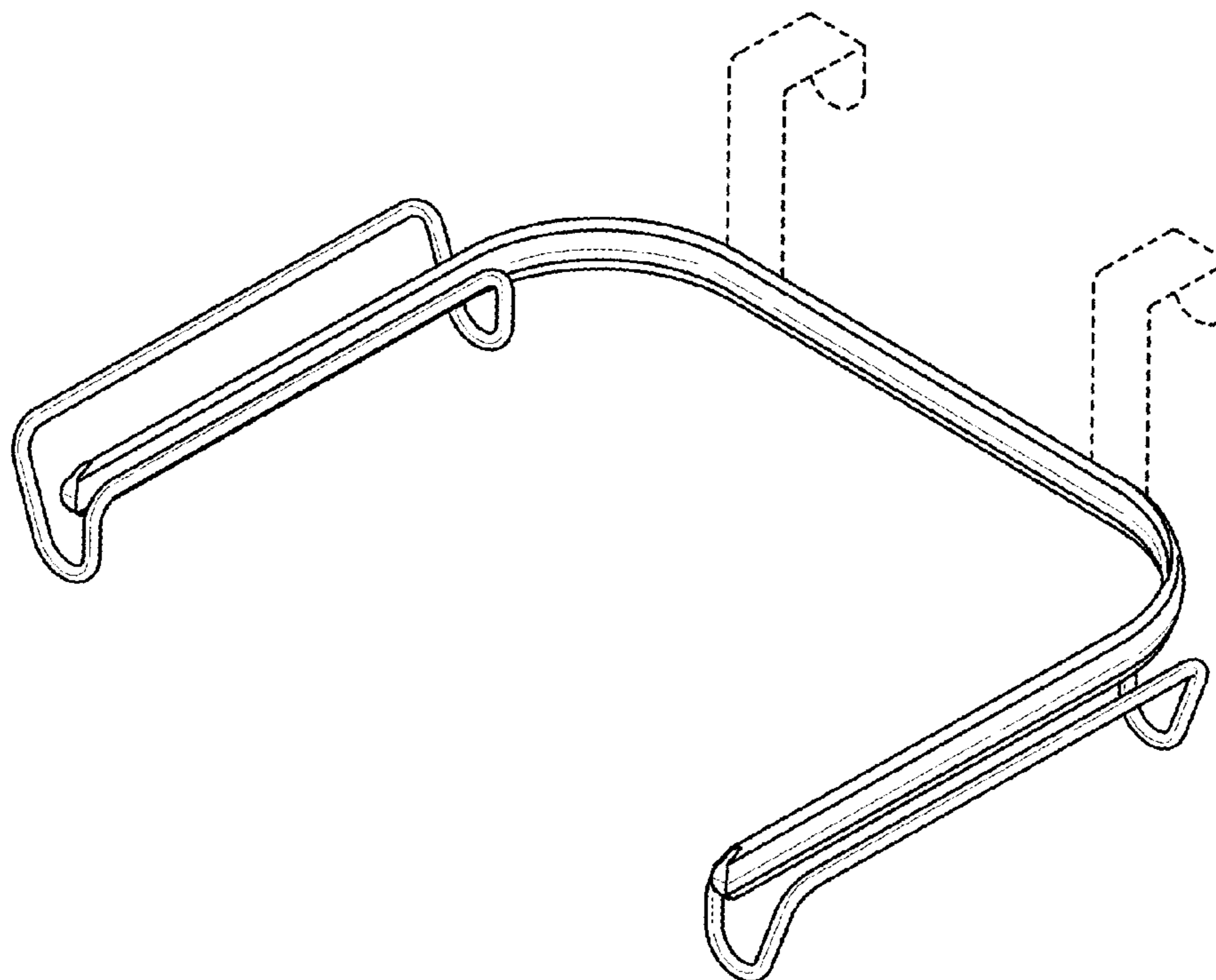
(57) **CLAIM**

The ornamental design for a trash bag holder, as shown and
described.

DESCRIPTION

FIG. 1 is a perspective view of a trash bag holder showing
a new design;
FIG. 2 is a front view of the trash bag holder of FIG. 1;
FIG. 3 is a rear view of the trash bag holder of FIG. 1;
FIG. 4 is a side view of the trash bag holder of FIG. 1;
FIG. 5 is a top view of the trash bag holder of FIG. 1; and,
FIG. 6 is a bottom view of the trash bag holder of FIG. 1.
The components of the display shown in broken lines
illustrate portions of the trash bag holder form no part of the
claimed design.

1 Claim, 4 Drawing Sheets



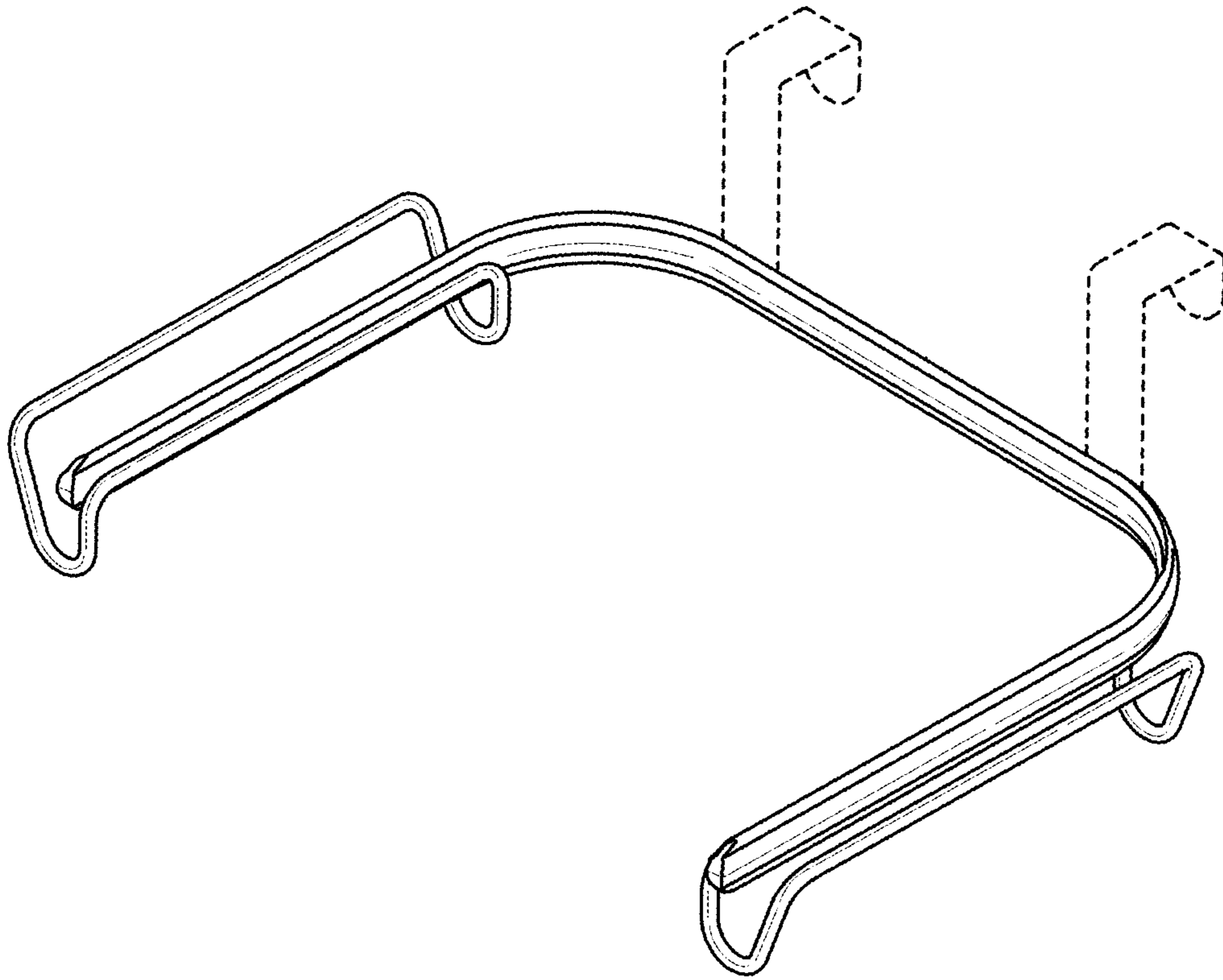


FIG. 1

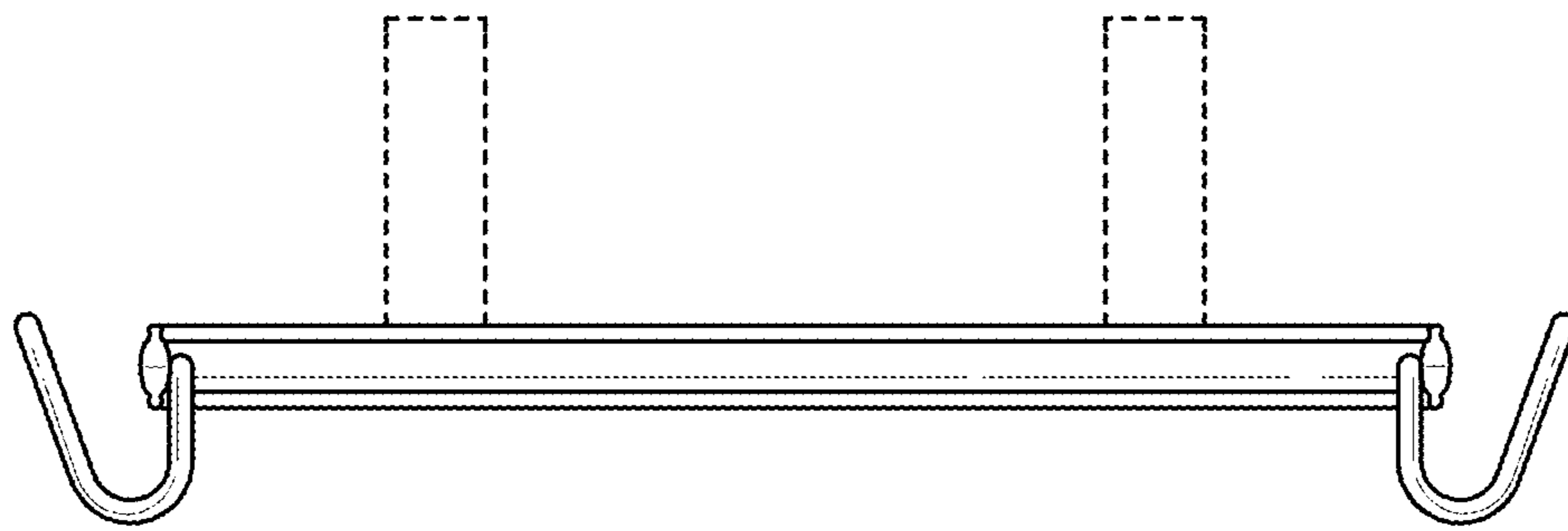


FIG. 2

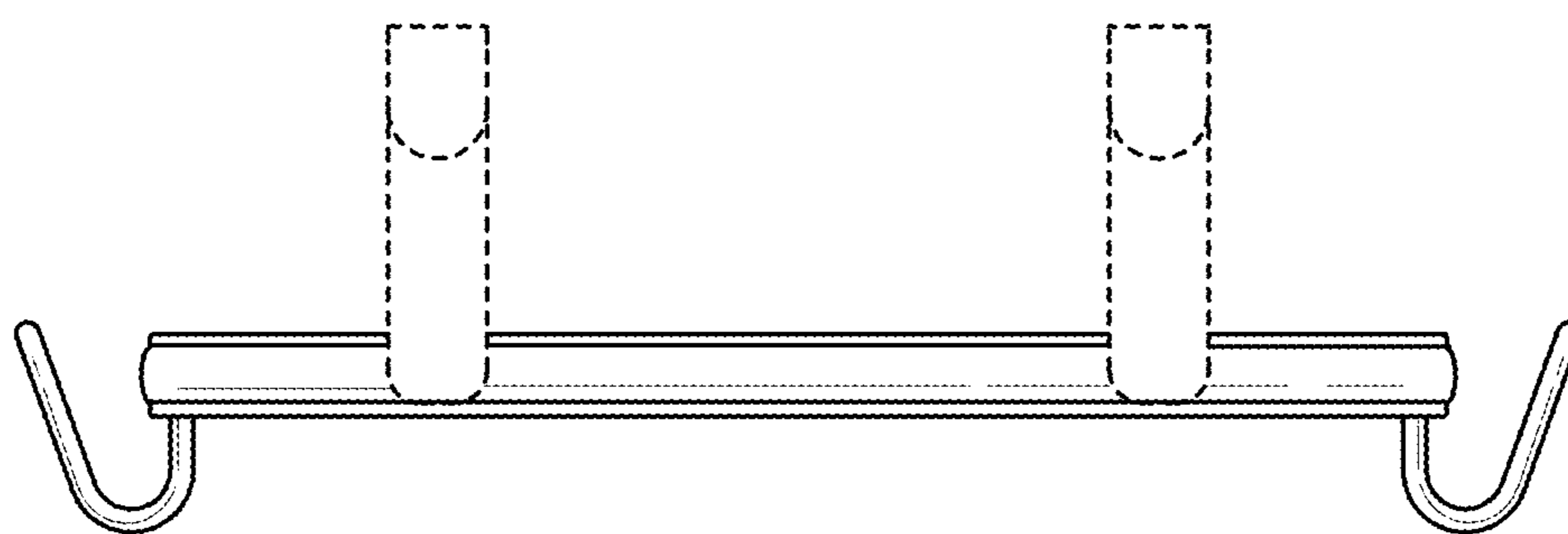


FIG. 3

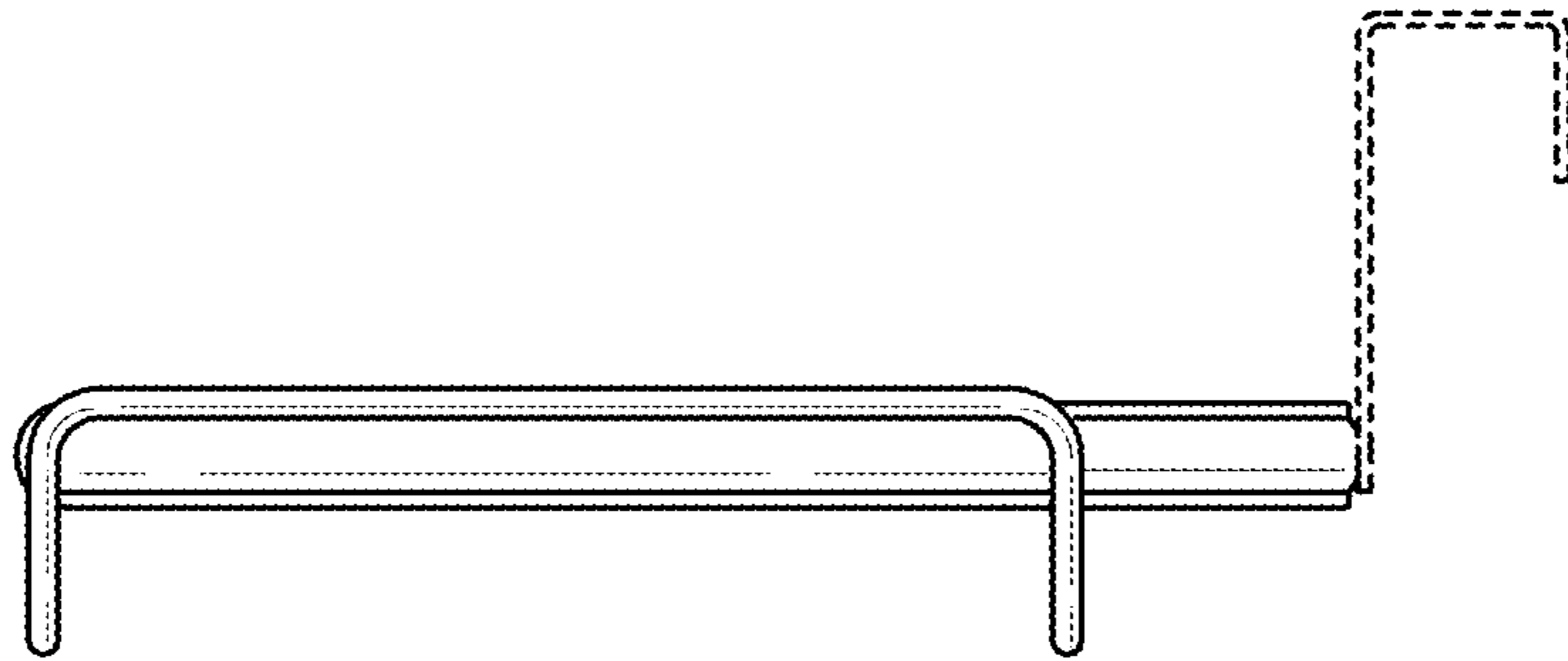


FIG. 4

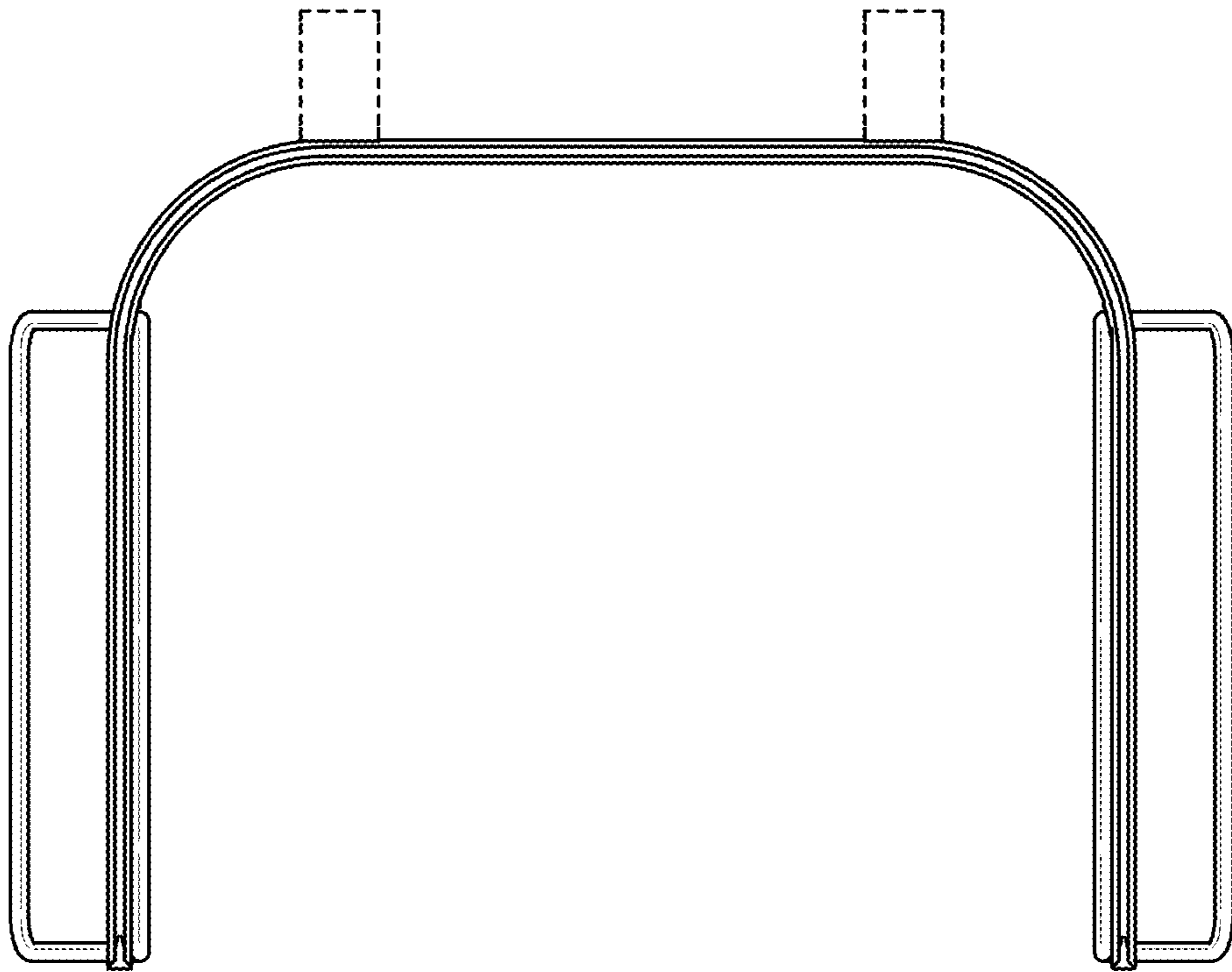


FIG. 5

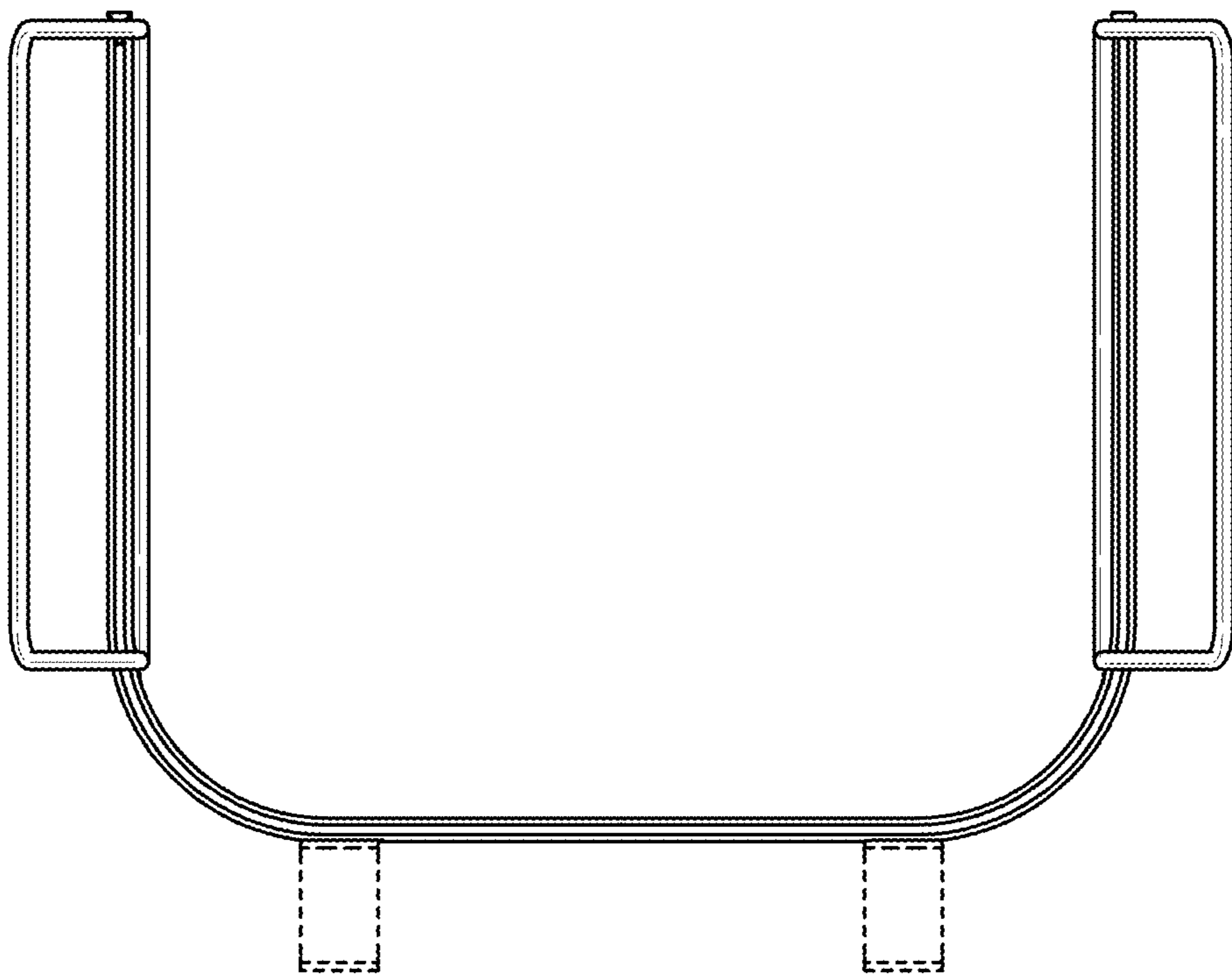


FIG. 6