

US00D794894S

(12) **United States Design Patent**
Kopp et al.

(10) **Patent No.:** **US D794,894 S**

(45) **Date of Patent:** **** Aug. 15, 2017**

(54) **TRASH RECEPTACLE**

(71) Applicant: **Suncast Technologies, LLC**, Palm Beach Gardens, FL (US)

(72) Inventors: **Robert G. Kopp**, Elburn, IL (US);
Michael R. Vogler, Oswego, IL (US);
Torrence Anderson, Overland Park, KS (US);
Michael Thuma, La Grange, IL (US)

5,803,303 A * 9/1998 Timm B65F 1/068
220/495.04

6,126,031 A * 10/2000 Reason B65F 1/062
220/495.04

D488,899 S * 4/2004 Divoll D34/1

D490,581 S * 5/2004 Keithly D34/1

D518,958 S * 4/2006 Yourist D3/302

D521,203 S * 5/2006 Sofy D34/1

D681,300 S * 4/2013 Hatcher D34/6

D704,406 S * 5/2014 Kern D34/1

D730,007 S * 5/2015 Machen D34/1

D731,729 S * 6/2015 Korner D34/1

D739,109 S * 9/2015 Becham D34/1

(73) Assignee: **Suncast Technologies, LLC**, Palm Beach Gardens, FL (US)

* cited by examiner

(**) Term: **15 Years**

Primary Examiner — Cynthia Ramirez

(74) *Attorney, Agent, or Firm* — McHale & Slavin, P.A.

(21) Appl. No.: **29/558,969**

(57) **CLAIM**

The ornamental design for a trash receptacle, as shown and described.

(22) Filed: **Mar. 23, 2016**

(51) **LOC (10) Cl.** **09-09**

(52) **U.S. Cl.**
USPC **D34/1**

DESCRIPTION

(58) **Field of Classification Search**
USPC D34/1-11; 220/908, 908.1, 909, 913
CPC B65F 1/06; B65F 1/068; B65F 7/00; B65F
2210/179; B65F 2220/12
See application file for complete search history.

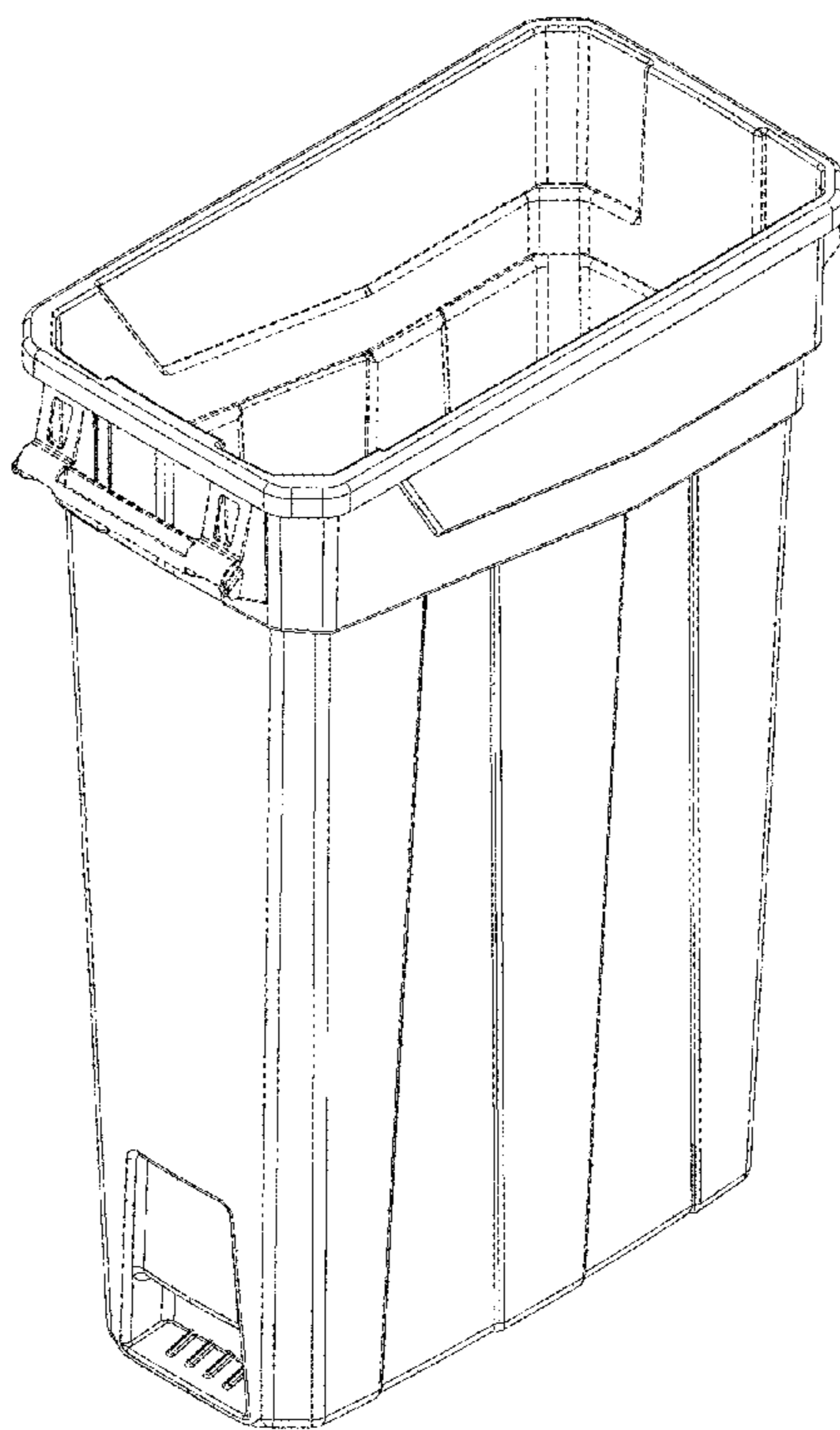
FIG. 1 is a front top right isometric view of the trash receptacle of the present invention;
FIG. 2 is a rear top left isometric view thereof;
FIG. 3 is a front bottom right isometric view thereof;
FIG. 4 is a front view thereof;
FIG. 5 is a rear view thereof;
FIG. 6 is a right side view thereof; and,
FIG. 7 is a left side view thereof.
The portions of the trash receptacle illustrated in broken lines form no part of the claimed design.

(56) **References Cited**

U.S. PATENT DOCUMENTS

D332,334 S * 1/1993 Jones D34/1
D387,530 S * 12/1997 Doxey D34/1

1 Claim, 7 Drawing Sheets



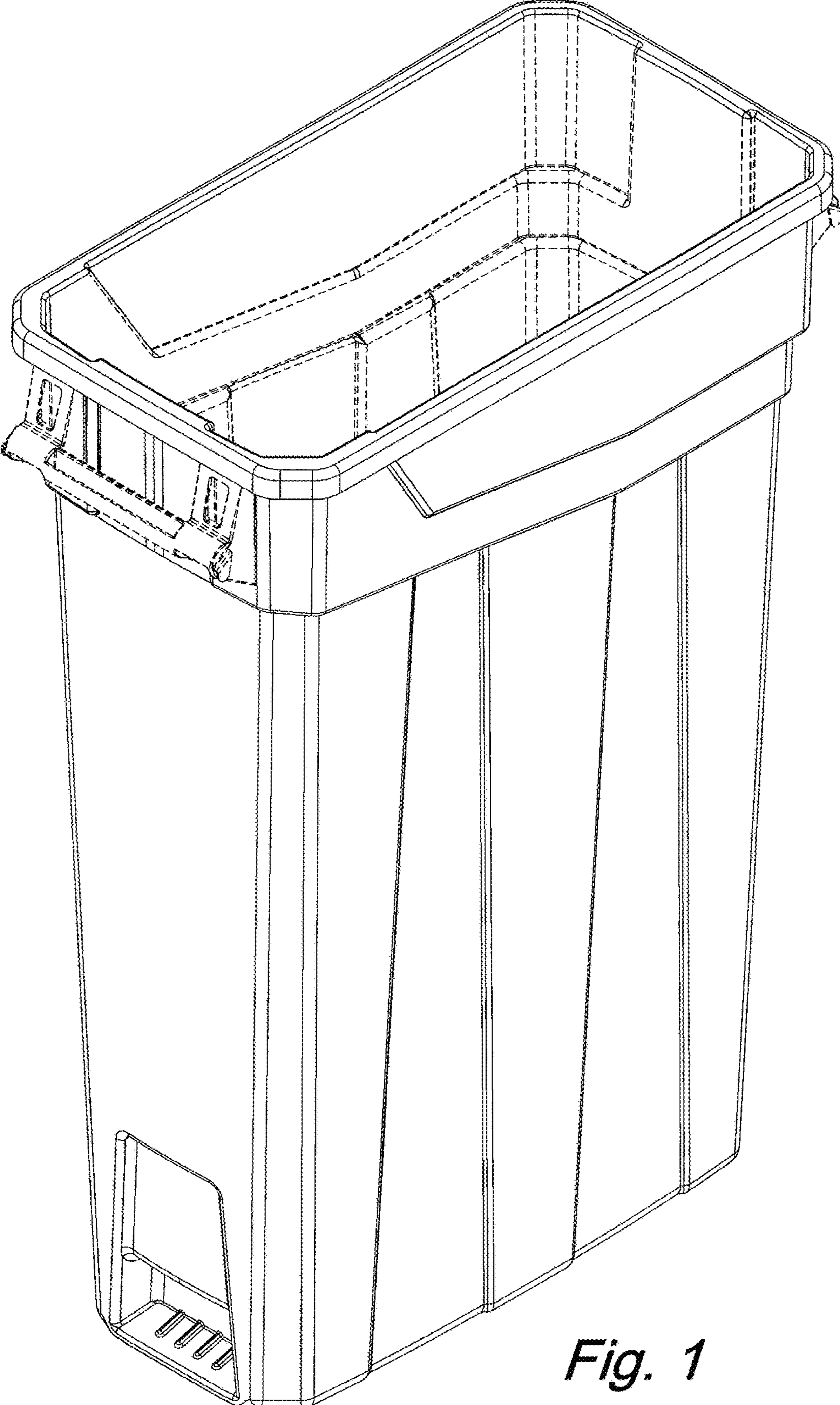


Fig. 1

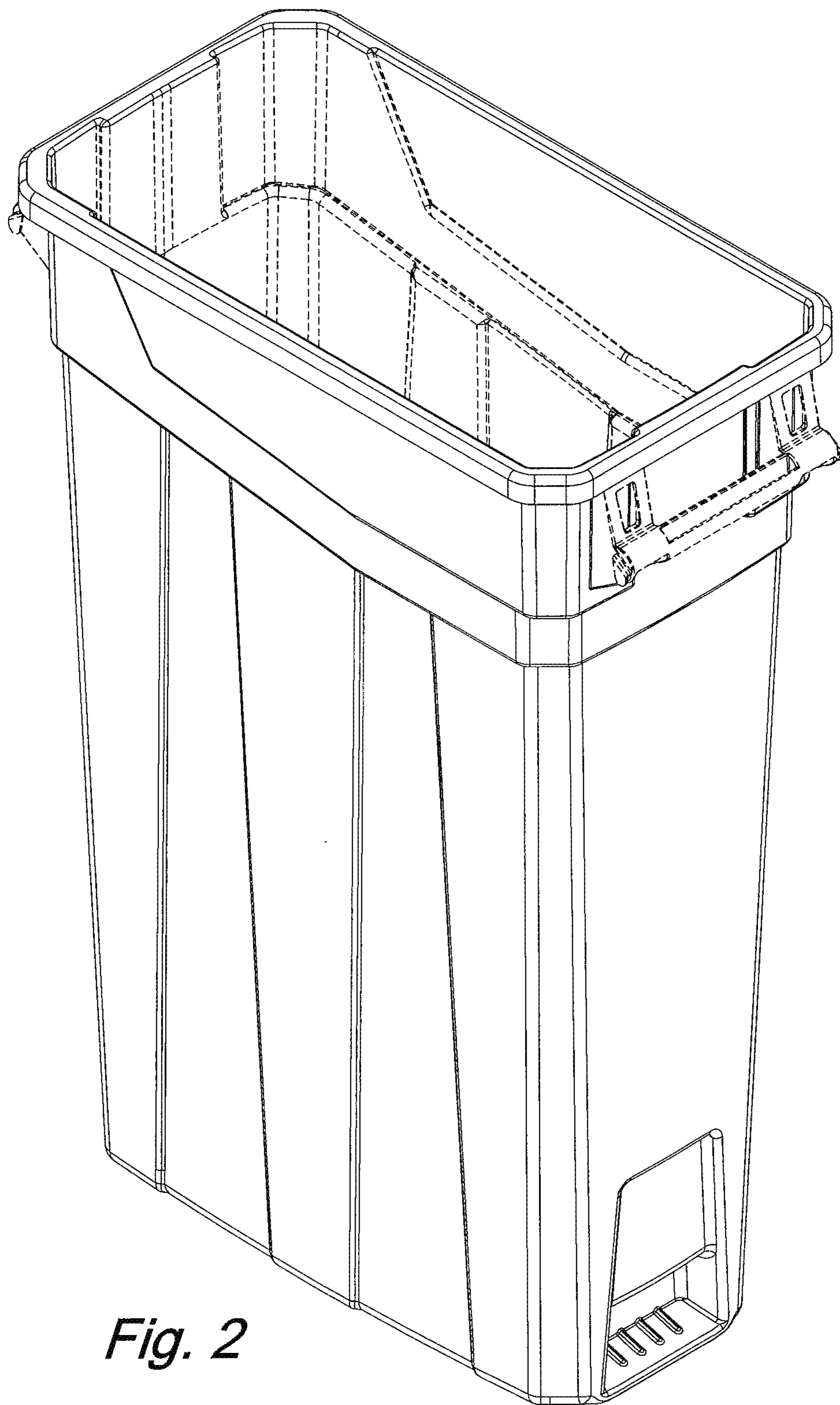


Fig. 2

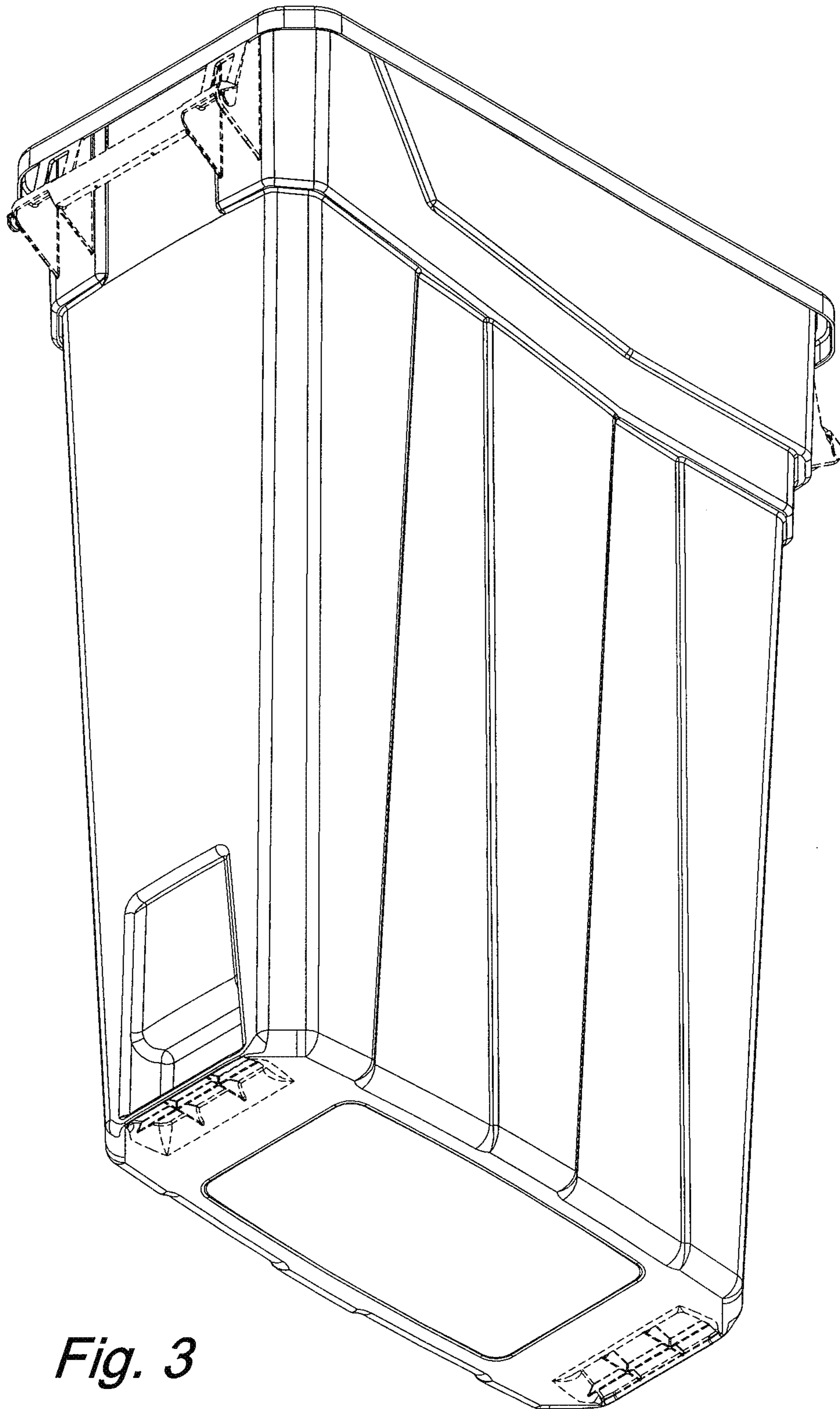


Fig. 3

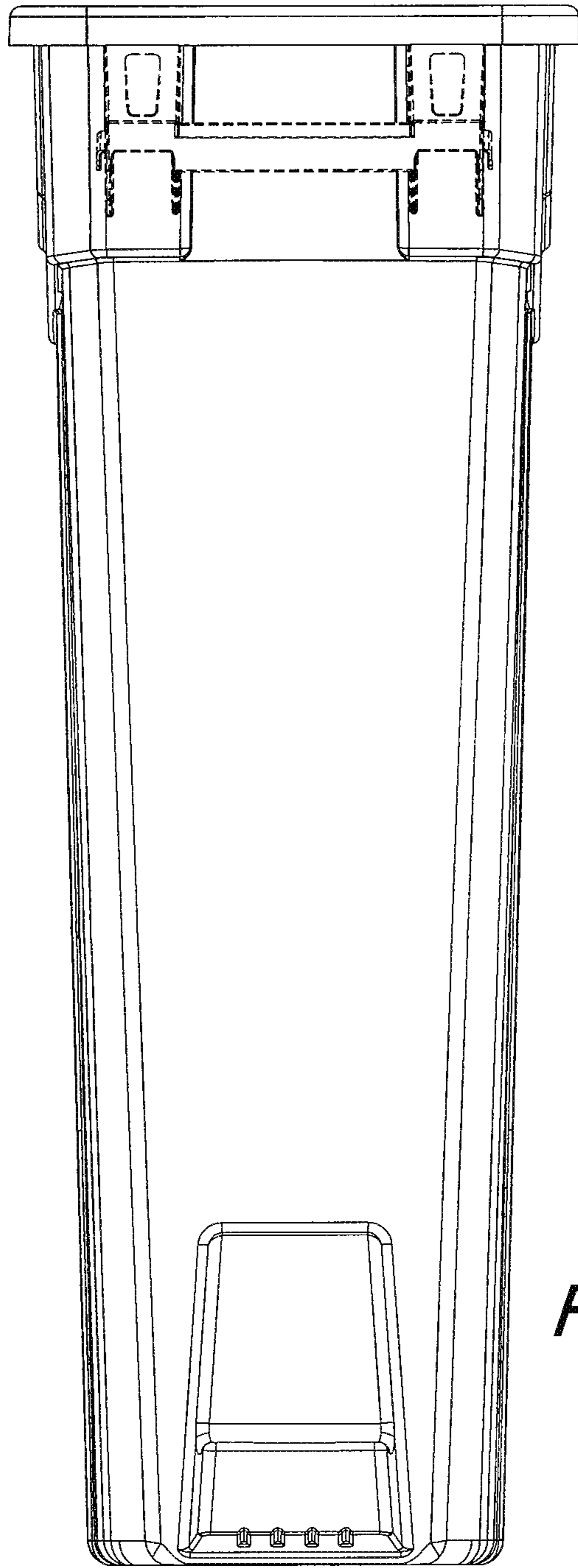


Fig. 4

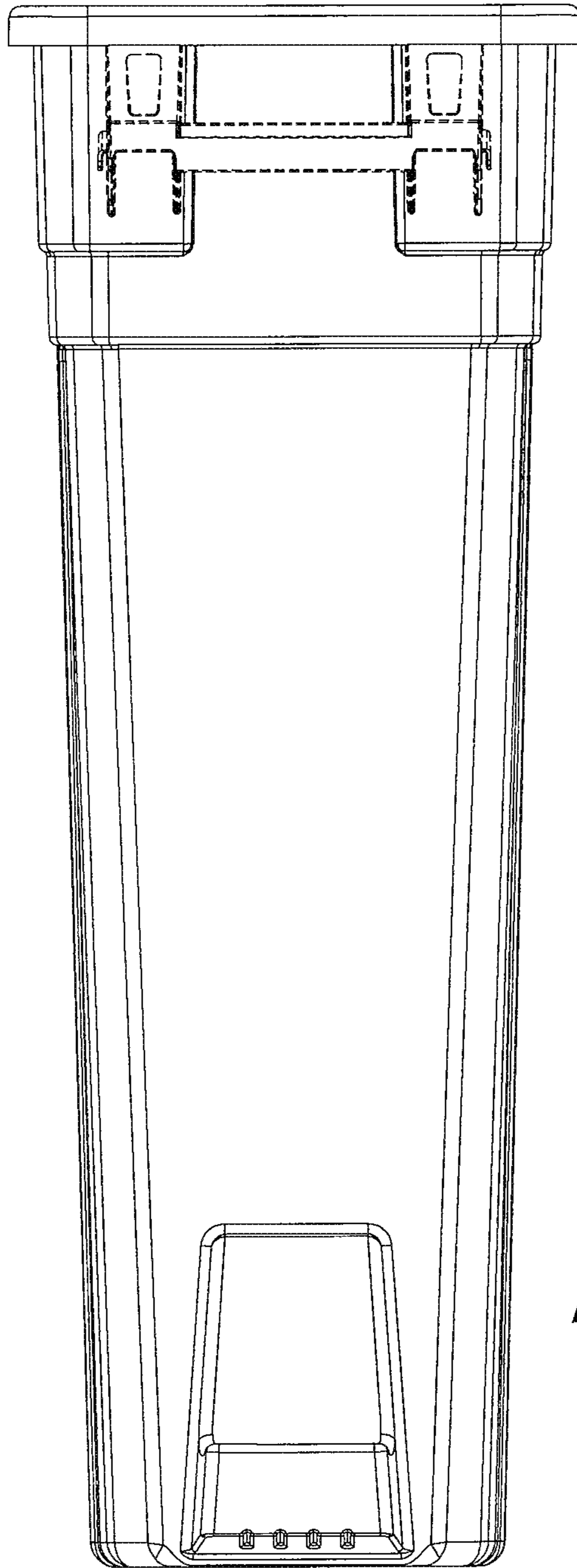


Fig. 5

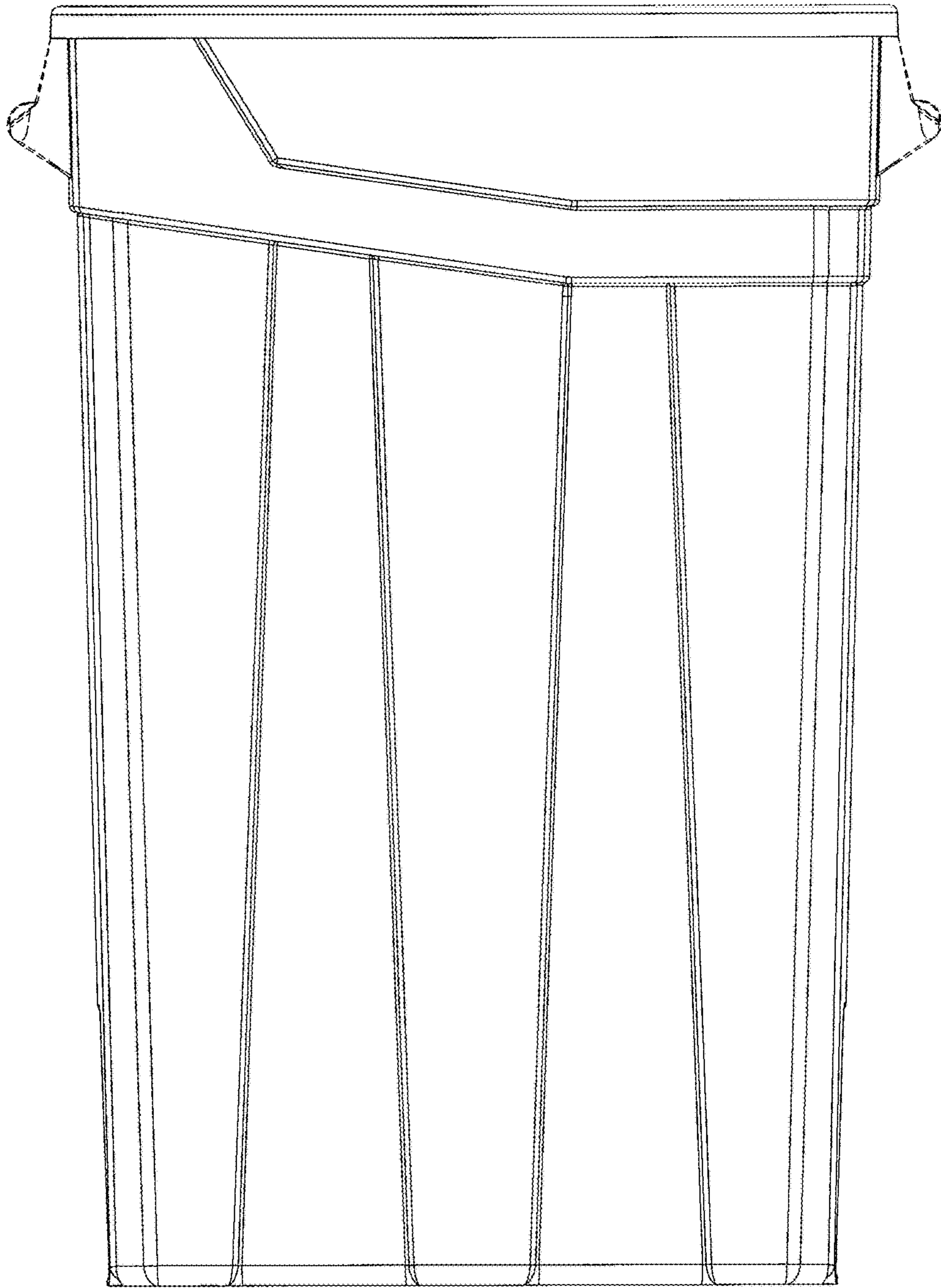


Fig. 6

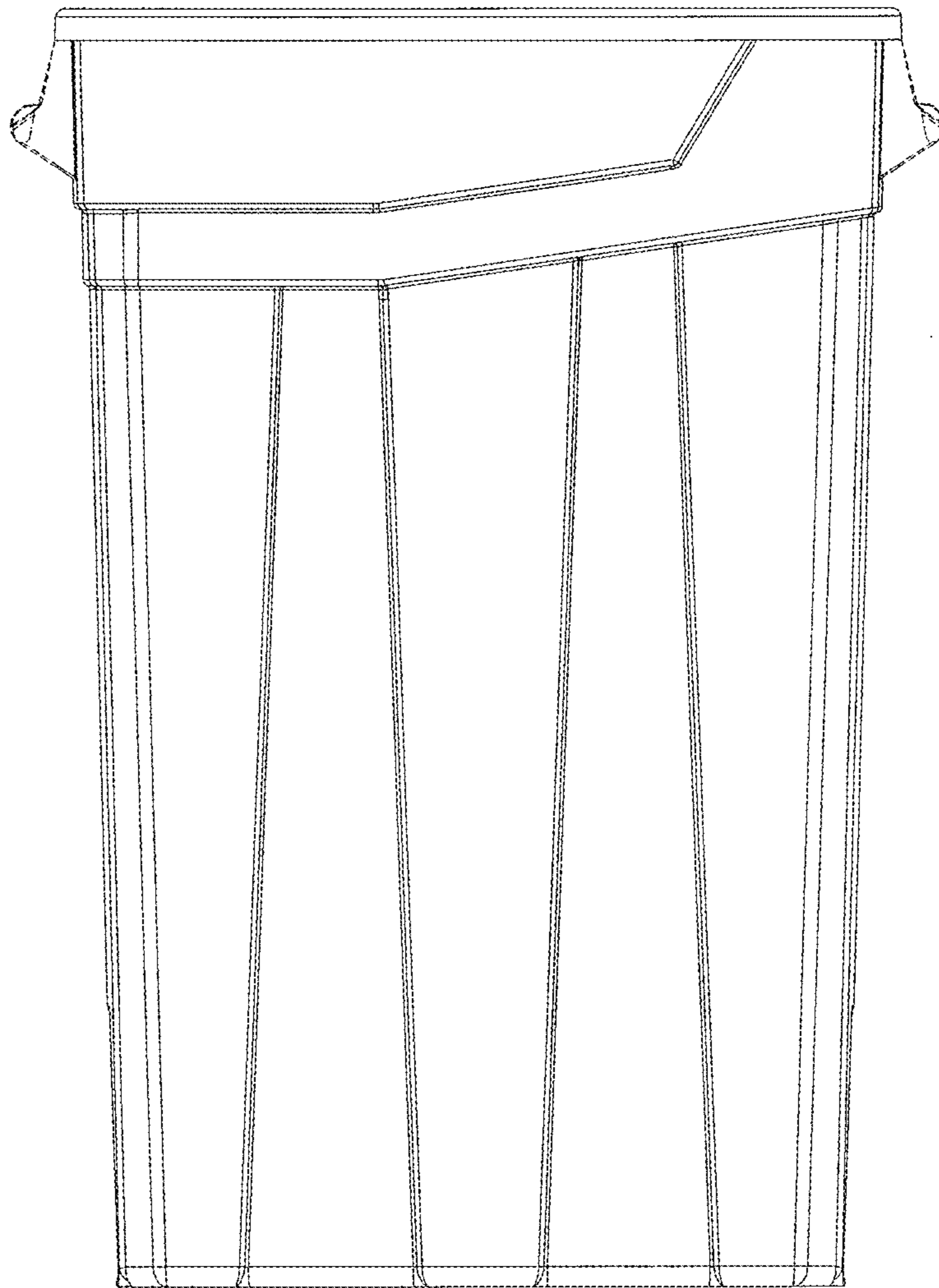


Fig. 7