

US00D794893S

(12) **United States Design Patent** (10) **Patent No.:** **US D794,893 S**
Libman et al. (45) **Date of Patent:** **** Aug. 15, 2017**

(54) **SINK CADDY**
(71) Applicant: **The Libman Company**, Arcola, IL (US)
(72) Inventors: **Andrew D. Libman**, Champaign, IL (US); **Aaron Libman**, Champaign, IL (US); **Carlos Aguiar**, Burgo (PT); **Fernando De Jesus Santos**, Maceira Ira (PT)
(73) Assignee: **The Libman Company**, Arcola, IL (US)
(**) Term: **15 Years**
(21) Appl. No.: **29/556,930**
(22) Filed: **Mar. 4, 2016**
(51) **LOC (10) Cl.** **07-05**
(52) **U.S. Cl.**
USPC **D32/55**
(58) **Field of Classification Search**
USPC D32/55, 276, 3; D6/510, 525; D30/133; 211/41.5, 41.4, 41.3, 41.8; 361/679.4; 312/311, 333, 334.4; D7/354, 629
CPC .. A47L 15/505; A47L 15/503; A47L 15/0013; A47L 19/02; A47L 19/04; A47J 47/20
See application file for complete search history.

D512,255 S 12/2005 Snell
D532,234 S 11/2006 Snell
D532,235 S 11/2006 Snell
D532,236 S 11/2006 Dretzka
D532,570 S * 11/2006 Vizcarra D32/55
D532,639 S 11/2006 Snell
D534,024 S 12/2006 Dretzka
D553,820 S 10/2007 Baumgart et al.
D563,708 S 3/2008 Snell
D563,709 S 3/2008 Snell
D566,361 S * 4/2008 Snell D32/55
D566,919 S 4/2008 Snell
D568,019 S * 4/2008 Joseph D32/55
D582,120 S * 12/2008 Snell D32/55
D584,550 S 1/2009 Millilo
D592,434 S 5/2009 Thompson et al.
D600,017 S 9/2009 Christie
D626,363 S 11/2010 Yang et al.
D635,383 S 4/2011 Yang et al.

(Continued)

Primary Examiner — Austin Murphy
(74) *Attorney, Agent, or Firm* — Banner & Witcoff, Ltd.

(57) **CLAIM**

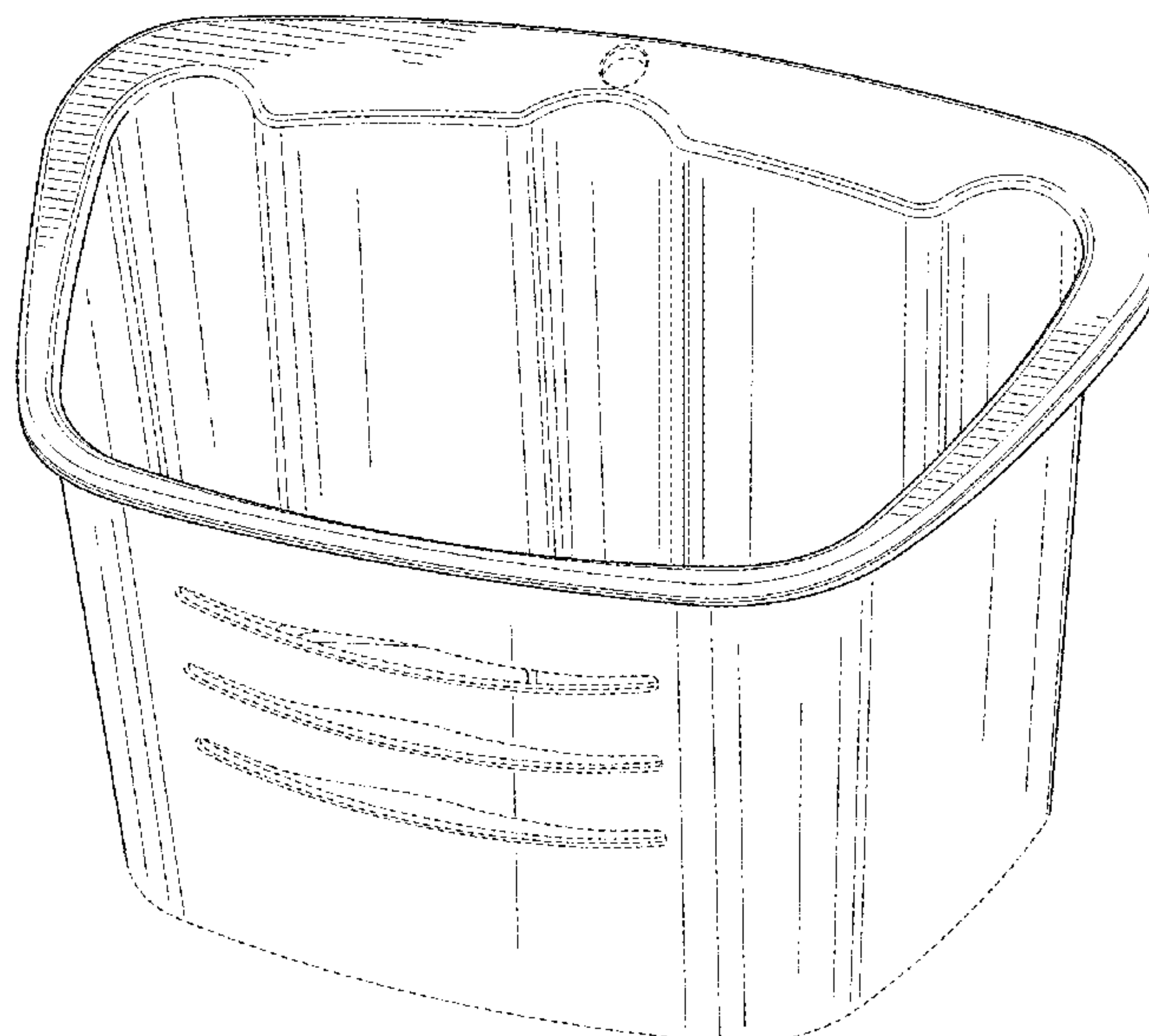
The ornamental design for a sink caddy, as shown and described.

DESCRIPTION

FIG. 1 is a top, front, right perspective view of a sink caddy showing our new design;
FIG. 2 is a front view thereof;
FIG. 3 is a rear view thereof;
FIG. 4 is a left side view thereof;
FIG. 5 is a right side view thereof; and,
FIG. 6 is a top view thereof.
The broken lines immediately adjacent to the shaded area represent unclaimed boundaries of the design. The broken lines showing the remainder of the sink caddy are for environmental purposes only and form no part of the claimed design.

1 Claim, 6 Drawing Sheets

(56) **References Cited**
U.S. PATENT DOCUMENTS
5,590,804 A 1/1997 Crum et al.
D453,651 S 2/2002 Snell
D464,516 S 10/2002 Snell
D479,663 S 9/2003 Snell
D481,894 S 11/2003 Hunt
D483,587 S 12/2003 Snell
6,698,464 B2 3/2004 Hennemann, Jr. et al.
D492,112 S 6/2004 Hardy



(56)

References Cited

U.S. PATENT DOCUMENTS

D636,201 S	4/2011	Kolano et al.	
D637,850 S	5/2011	Ghiorghie	
D642,841 S	8/2011	Dretzka	
D651,779 S *	1/2012	Balkum	D32/55
D655,472 S	3/2012	Krus et al.	
D662,785 S *	7/2012	Kern	D32/55
D668,496 S	10/2012	Ho et al.	
8,296,876 B2	10/2012	Yang et al.	
D679,528 S	4/2013	Gilboe et al.	
D688,019 S *	8/2013	Lee	D32/55
D691,774 S	10/2013	Goodman et al.	
D692,633 S	10/2013	Goodman et al.	
D694,037 S	11/2013	Primeau	
D697,309 S	1/2014	Baldwin et al.	
D699,012 S *	2/2014	Ziemann	D32/55
D699,478 S	2/2014	Snider	
D699,972 S	2/2014	Lee et al.	
D701,395 S	3/2014	Snider	
D701,397 S	3/2014	Snider	
8,684,192 B1	4/2014	Margolin	
8,801,926 B2	8/2014	Housley	
D717,070 S	11/2014	Callif et al.	
D718,510 S	11/2014	Goodman et al.	
D723,293 S	3/2015	Goodman et al.	
D723,301 S	3/2015	Callif et al.	
D723,302 S	3/2015	Goodman et al.	
D723,760 S	3/2015	Goodman et al.	
D723,761 S	3/2015	Goodman et al.	
D726,446 S	4/2015	Tollasepp et al.	
D727,654 S	4/2015	Tollasepp et al.	
D730,078 S	5/2015	Kolano	
D731,728 S *	6/2015	Evans	D32/55
D737,595 S	9/2015	Eilmus et al.	
D762,934 S *	8/2016	Evans	D32/55
D765,334 S *	8/2016	Donald	D32/55
2012/0240330 A1	9/2012	Fulford et al.	
2013/0326807 A1	12/2013	Ahn	
2014/0034795 A1	2/2014	Brinkmann	
2014/0245533 A1	9/2014	Lee et al.	
2014/0259380 A1	9/2014	Eilmus et al.	
2014/0259381 A1	9/2014	Fogerlie	
2014/0346102 A1	11/2014	Housley	
2014/0352054 A1	12/2014	Tollasepp et al.	
2015/0230667 A1	8/2015	Palazzolo et al.	

* cited by examiner

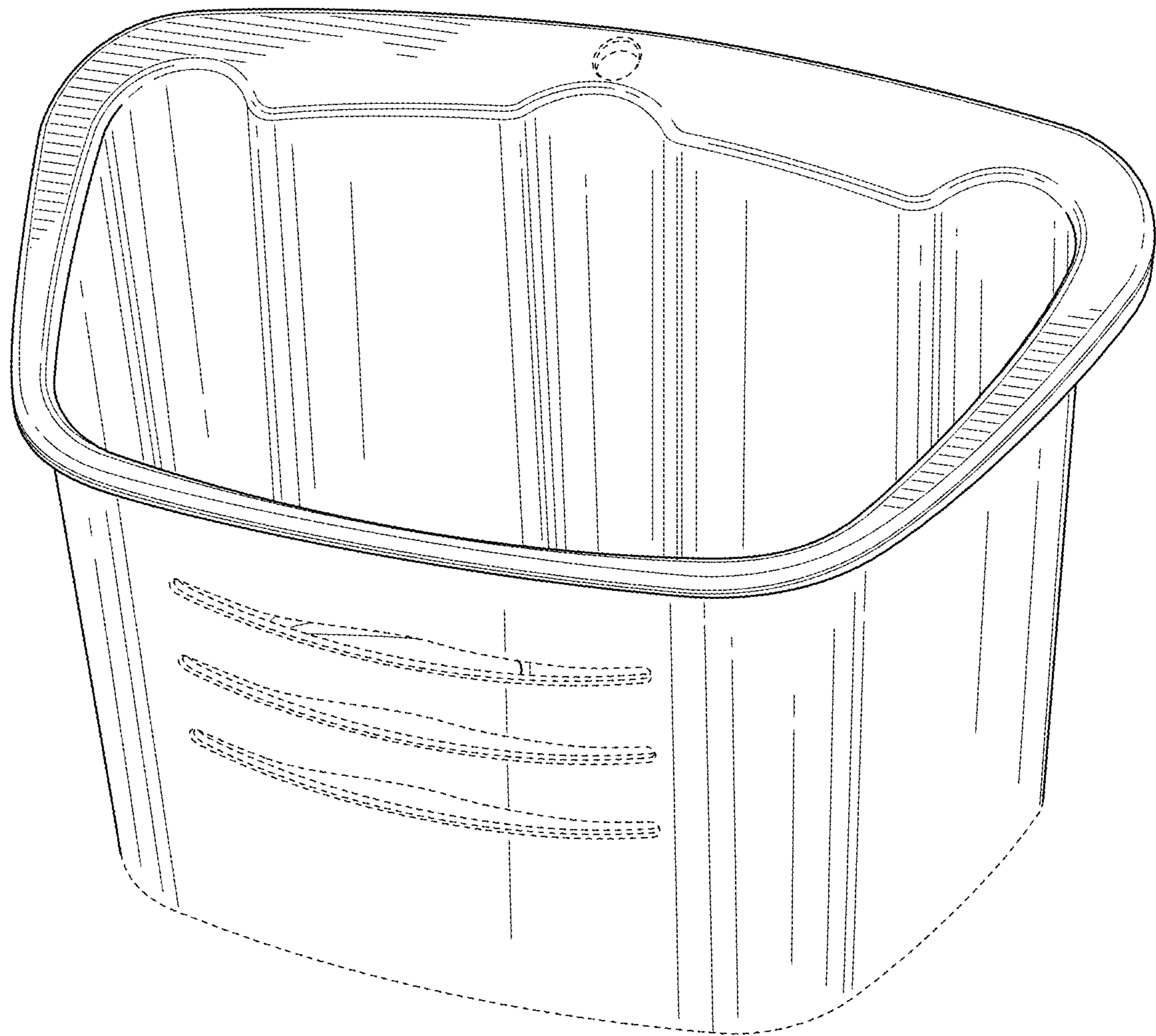


FIG. 1

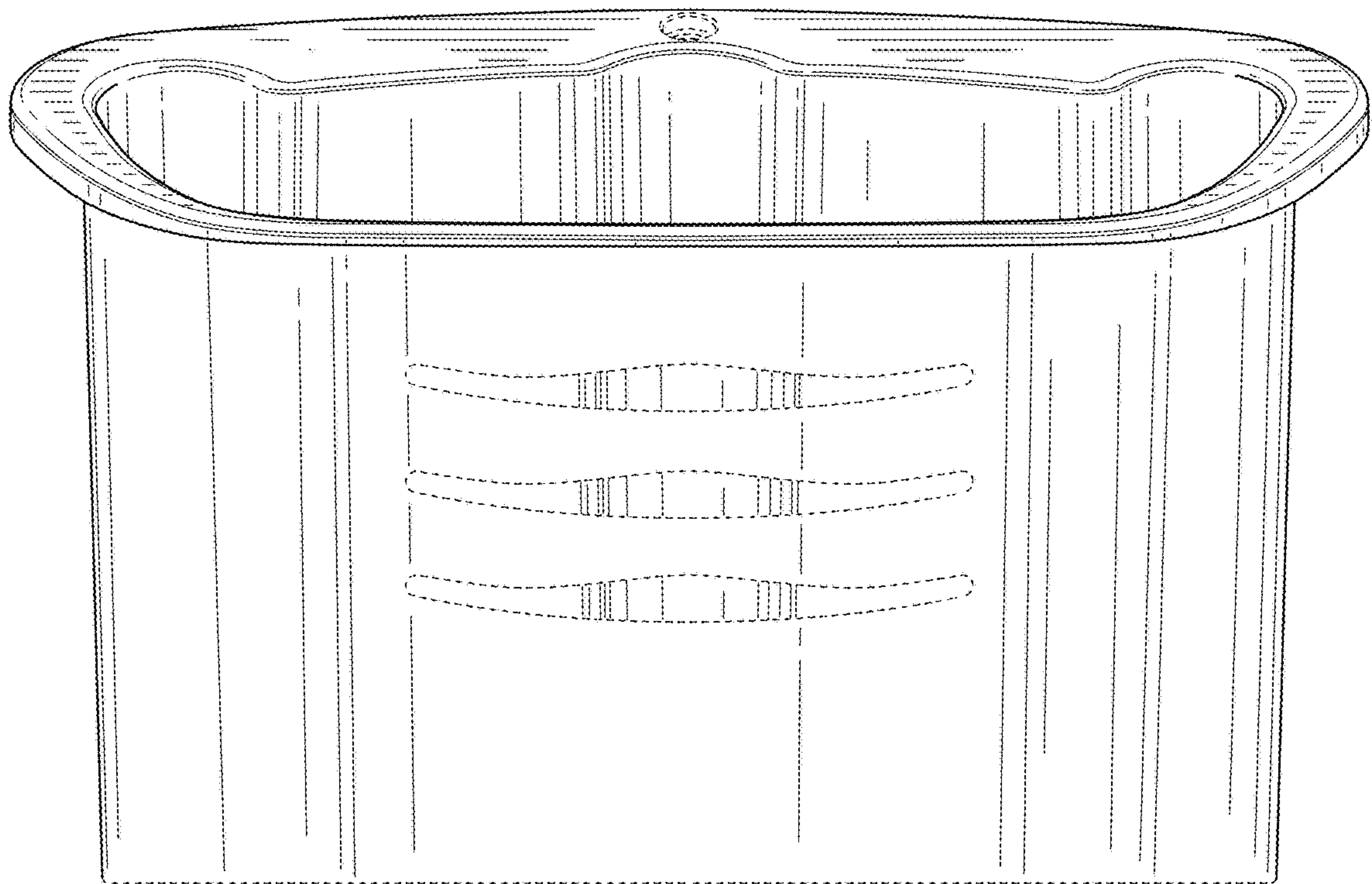


FIG. 2

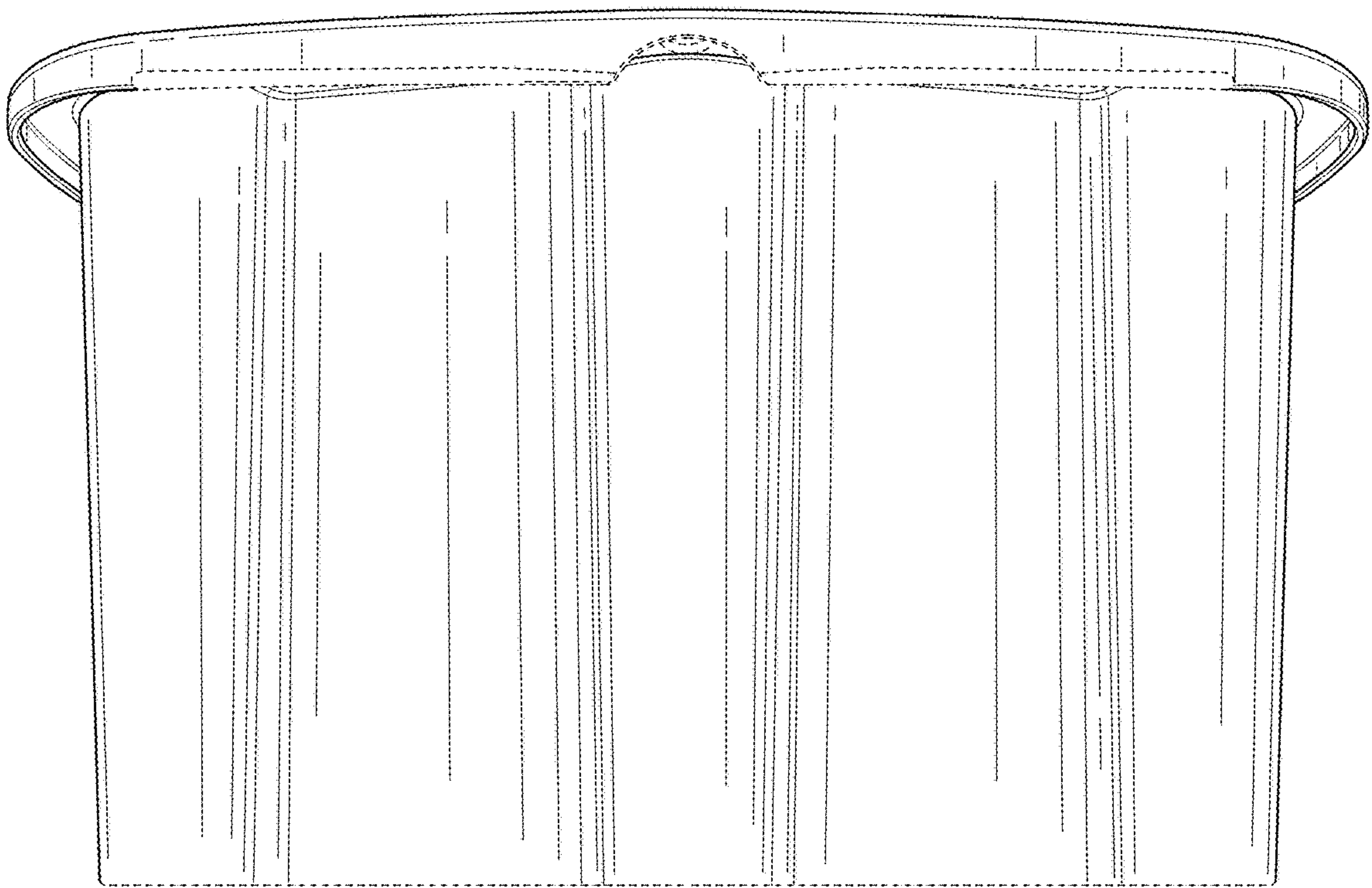


FIG. 3

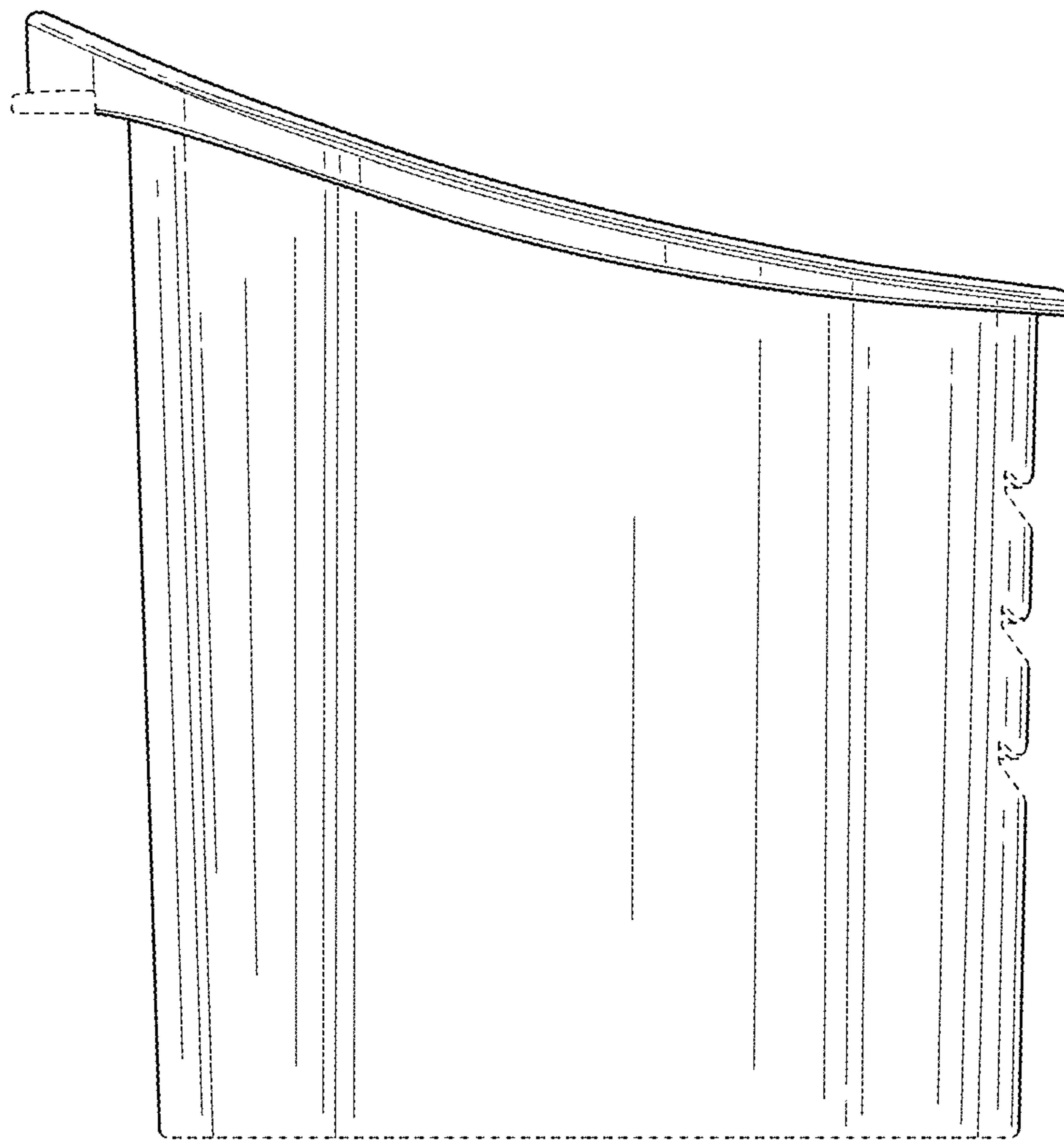


FIG. 4

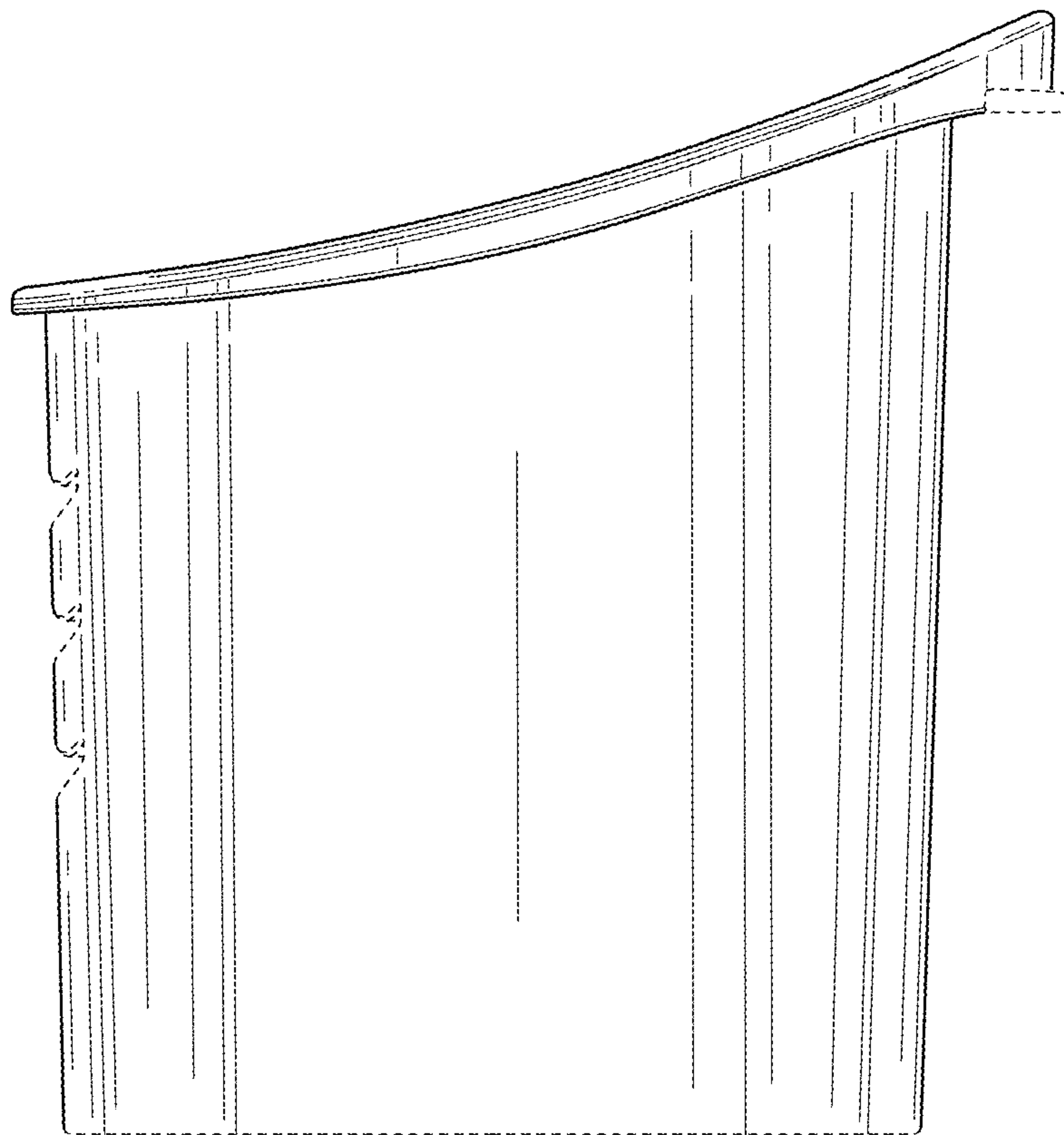


FIG. 5

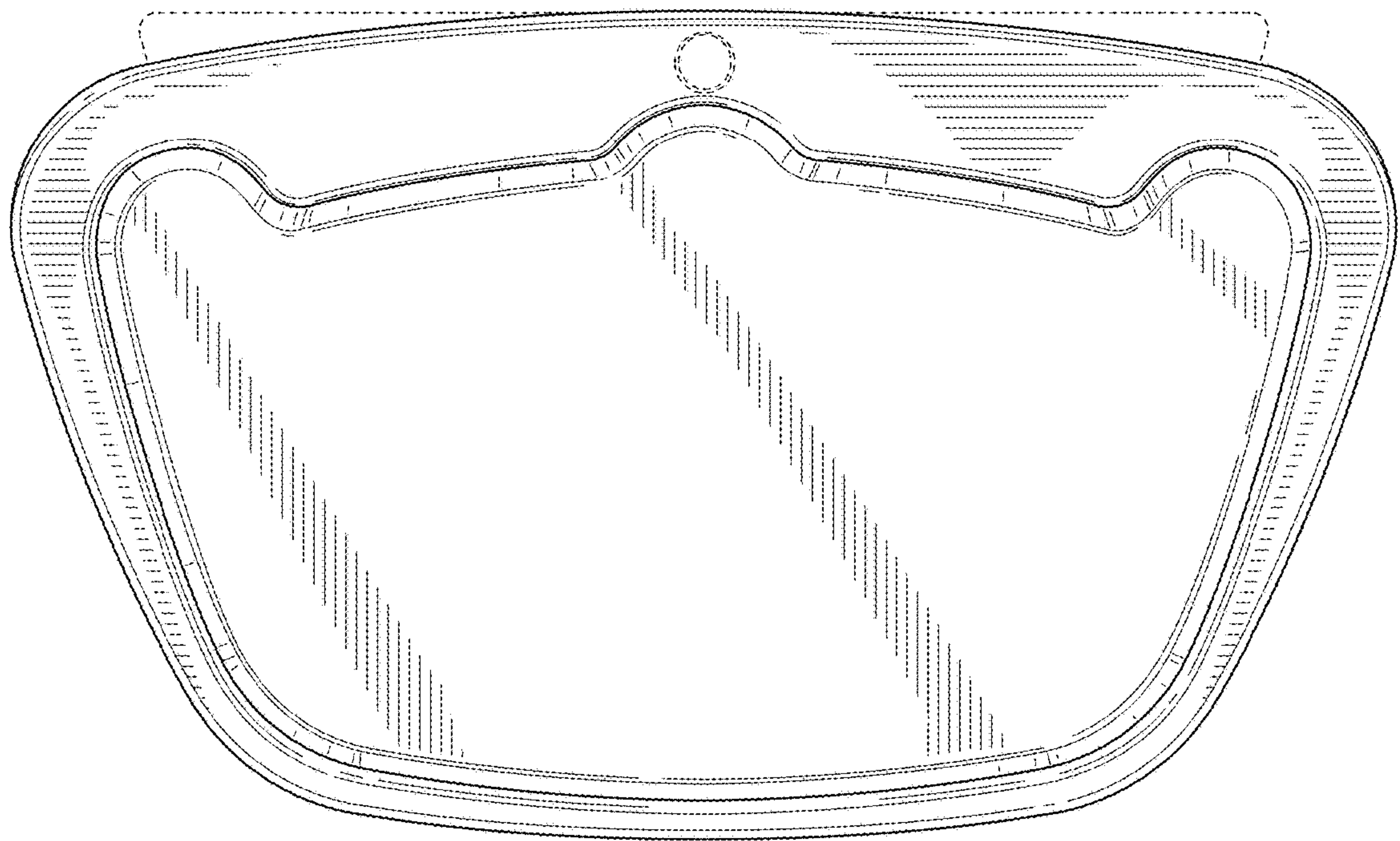


FIG. 6