

US00D794890S

(12) **United States Design Patent** (10) **Patent No.:** **US D794,890 S**  
**Hoyle** (45) **Date of Patent:** **\*\* Aug. 15, 2017**

(54) **HANDLE**

5,581,839 A 12/1996 Ferrell, Jr.  
D383,578 S \* 9/1997 Ho ..... D32/22  
D421,881 S \* 3/2000 Wen ..... D8/1  
(Continued)

(71) Applicant: **Cedar Creek Cleaning Products, LLC**, Mooresville, NC (US)

(72) Inventor: **Mark Allen Hoyle**, Winchester, VA (US)

**FOREIGN PATENT DOCUMENTS**

(\*\*) Term: **15 Years**

EP 2377447 A1 10/2011  
JP D1124314 \* 10/2001  
(Continued)

(21) Appl. No.: **29/551,263**

**OTHER PUBLICATIONS**

(22) Filed: **Jan. 12, 2016**

(51) **LOC (10) Cl.** ..... **04-01**

Sprenkler Handle "Limited Edition" with Integrated Reservoir, website 2017, [http://www.greenspeed.eu/article\\_details.asp?article=3301161#!](http://www.greenspeed.eu/article_details.asp?article=3301161#!), [site visited Feb. 15, 2017 10:19:10 PM].\*  
(Continued)

(52) **U.S. Cl.**

USPC ..... **D32/52**

(58) **Field of Classification Search**

USPC ..... D32/40-43, 50-52; D4/116-118, 199; D8/10-12, 33, 45, 47, 77-80, 83, 90, 93; D7/360-361; D3/12  
CPC . A47L 13/08; A47L 9/06; A47L 13/02; A46B 5/02; A46B 11/00; B24D 15/06; B25F 1/00; B26B 5/00; B44D 3/16; B08B 1/00; B60S 3/04; F16C 11/10  
See application file for complete search history.

*Primary Examiner* — John Windmuller  
*Assistant Examiner* — John R Yeh  
(74) *Attorney, Agent, or Firm* — Ashley Law Firm P.C.; Stephen S. Ashley, Jr.

(56) **References Cited**

(57) **CLAIM**

I claim the ornamental design for a handle, as shown and described.

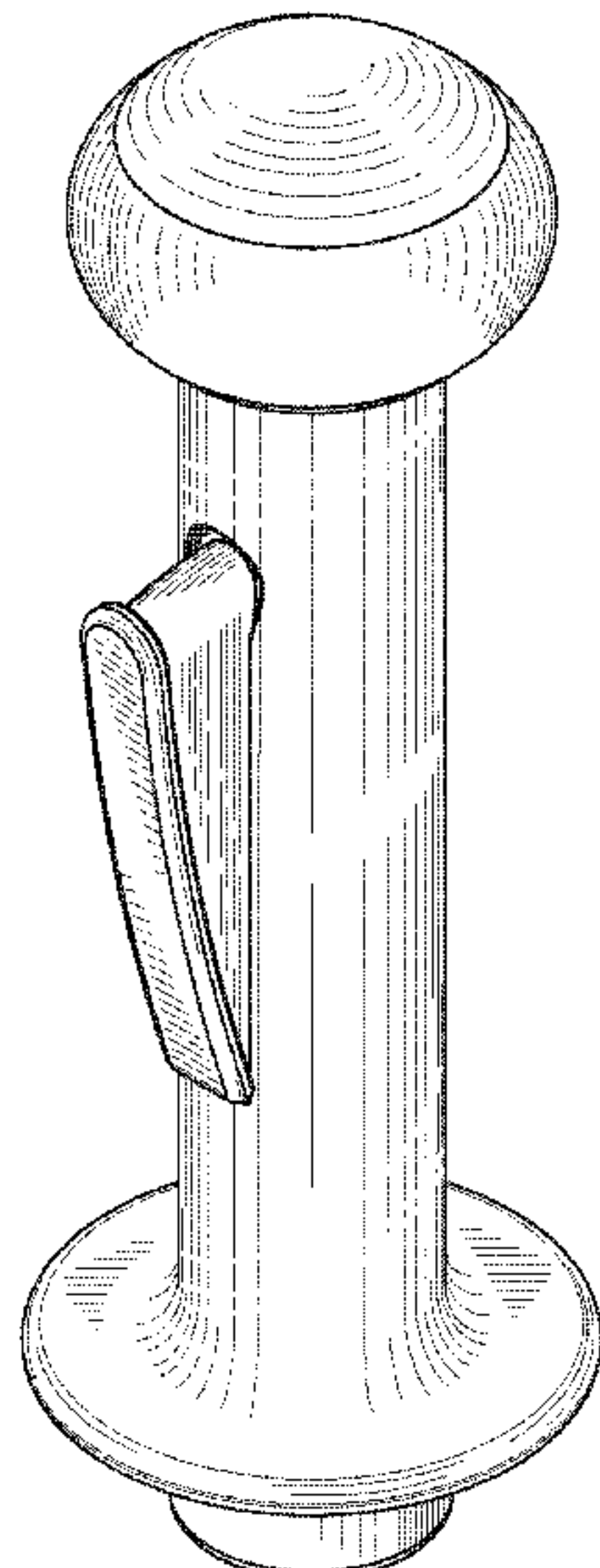
**U.S. PATENT DOCUMENTS**

**DESCRIPTION**

239,126 A \* 3/1881 Wagner ..... A46B 5/02 15/143.1  
418,167 A 12/1889 Copelin  
D19,998 S \* 7/1890 Schmidt ..... D3/12  
1,112,906 A 10/1914 Hewett  
2,237,969 A 4/1941 Olsen  
2,279,324 A \* 4/1942 Julien ..... B25G 1/04 16/429  
2,449,575 A 9/1948 Wilhelm  
3,564,779 A 2/1971 Koehn  
D249,014 S \* 8/1978 Groeneveld ..... D8/14  
D274,565 S 7/1984 Smith, Jr. et al.  
5,390,572 A 2/1995 Gakhar  
D360,123 S \* 7/1995 Shu ..... D8/107

FIG. 1 is a perspective view of a handle according to the invention;  
FIG. 2 is a left side view of the handle apparatus of FIG. 1;  
FIG. 3 is a right side view of the handle of FIG. 1;  
FIG. 4 is front elevation of the handle of FIG. 1;  
FIG. 5 is a rear elevation of the handle of FIG. 1;  
FIG. 6 is a top plan view of the handle of FIG. 1; and,  
FIG. 7 is a bottom plan view of the handle of FIG. 1.  
The broken lines in the figures represent portions of the handle that form no part of the claimed design.

**1 Claim, 4 Drawing Sheets**



(56)

References Cited

U.S. PATENT DOCUMENTS

D433,793 S \* 11/2000 San ..... D3/12  
 6,343,885 B1 2/2002 Heyne  
 D530,050 S 10/2006 Bizzotto  
 D547,017 S 7/2007 Van Lanningham, Jr.  
 7,281,288 B1 10/2007 McKay  
 D563,068 S \* 2/2008 Jiang ..... D32/50  
 D576,801 S \* 9/2008 Dretzka ..... D4/116  
 D584,022 S \* 12/2008 Sampaio ..... D32/50  
 D590,117 S 4/2009 Crawford et al.  
 D597,269 S \* 7/2009 McNeil ..... D32/45  
 D602,664 S 10/2009 Crawford et al.  
 D612,706 S \* 3/2010 Libman ..... D32/52  
 D614,823 S \* 4/2010 Blom ..... A47L 13/255  
 D32/50  
 D618,411 S \* 6/2010 Crawford ..... D32/40  
 7,992,258 B1 8/2011 Stitser  
 D660,535 S \* 5/2012 Menius ..... D32/51  
 D673,336 S 12/2012 Kandasamy et al.  
 D680,290 S \* 4/2013 Hsiao ..... D32/44  
 8,449,212 B2 5/2013 Crawford et al.  
 8,510,874 B2 8/2013 Duboc  
 8,596,896 B2 12/2013 Kimura  
 8,616,098 B1 12/2013 Rosow  
 D698,112 S \* 1/2014 Molinet ..... D32/51  
 D705,619 S \* 5/2014 Masalin ..... D8/10  
 8,834,053 B2 9/2014 Van Lanningham, Jr. et al.  
 D742,609 S \* 11/2015 Irwin ..... D32/50

D746,649 S \* 1/2016 McConnell ..... D7/688  
 2002/0144369 A1 \* 10/2002 Biggs ..... A47L 13/20  
 15/143.1  
 2005/0251943 A1 \* 11/2005 Van Lanningham .. B25G 1/002  
 15/228  
 2006/0280546 A1 \* 12/2006 Dyer ..... A47L 13/22  
 401/139  
 2007/0044265 A1 \* 3/2007 Crevling ..... A47L 9/0009  
 15/246.2  
 2010/0293775 A1 11/2010 Draper  
 2012/0255138 A1 10/2012 Dingert et al.  
 2013/0223919 A1 \* 8/2013 Brecht ..... F16C 11/06  
 403/31

FOREIGN PATENT DOCUMENTS

JP D1423585 \* 9/2011  
 WO WO2005108015 A1 11/2005

OTHER PUBLICATIONS

The Mopster Bucketless Mopping System, Jon-Don site 2017,  
<http://www.jondon.com/mopster-bucketless-handle.html?gclid=CP-drazUk9ICFYiCswodRooNjA>, [site visited Feb. 15,  
 2017 10:20:49 PM].\*  
 Google, English translation of European Patent Application No.  
 EP2377447, Oct. 19, 2011.

\* cited by examiner

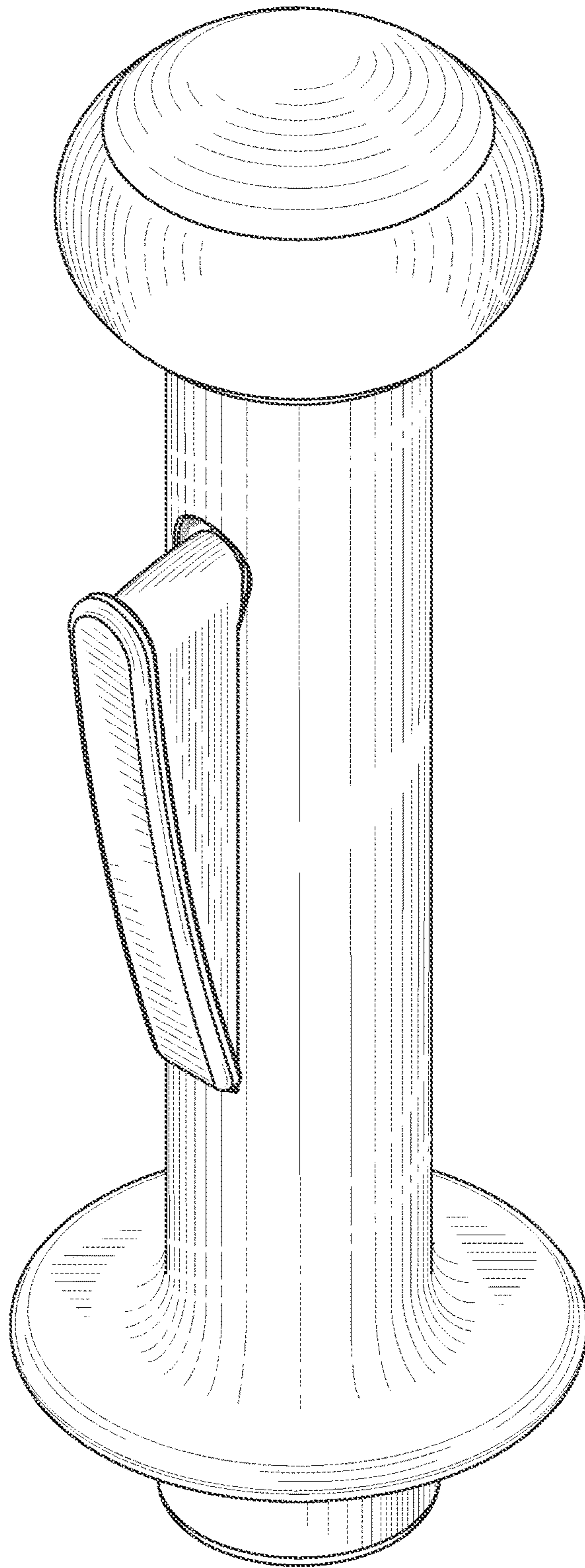


FIG. 1



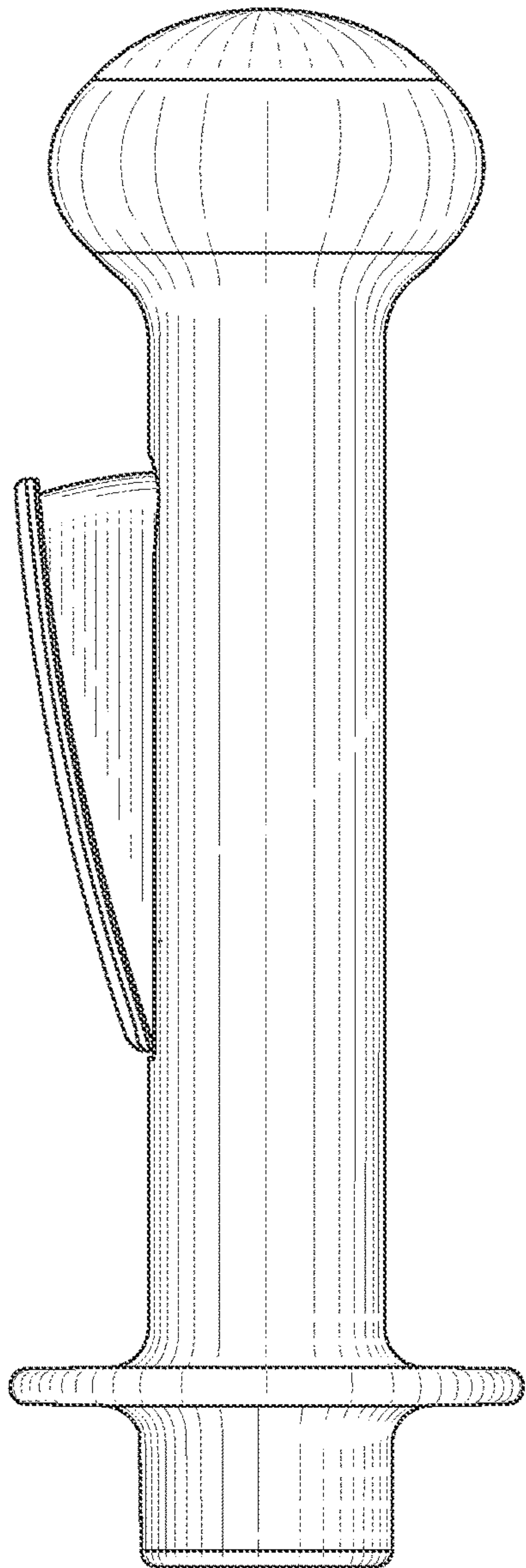


FIG. 2

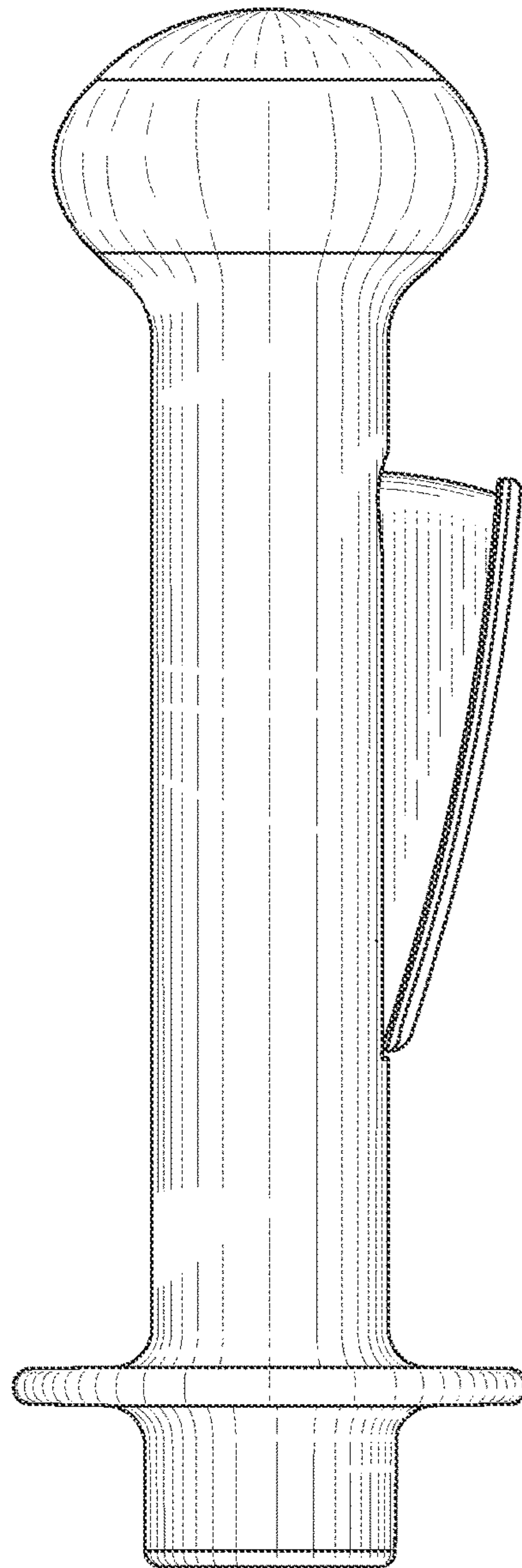


FIG. 3

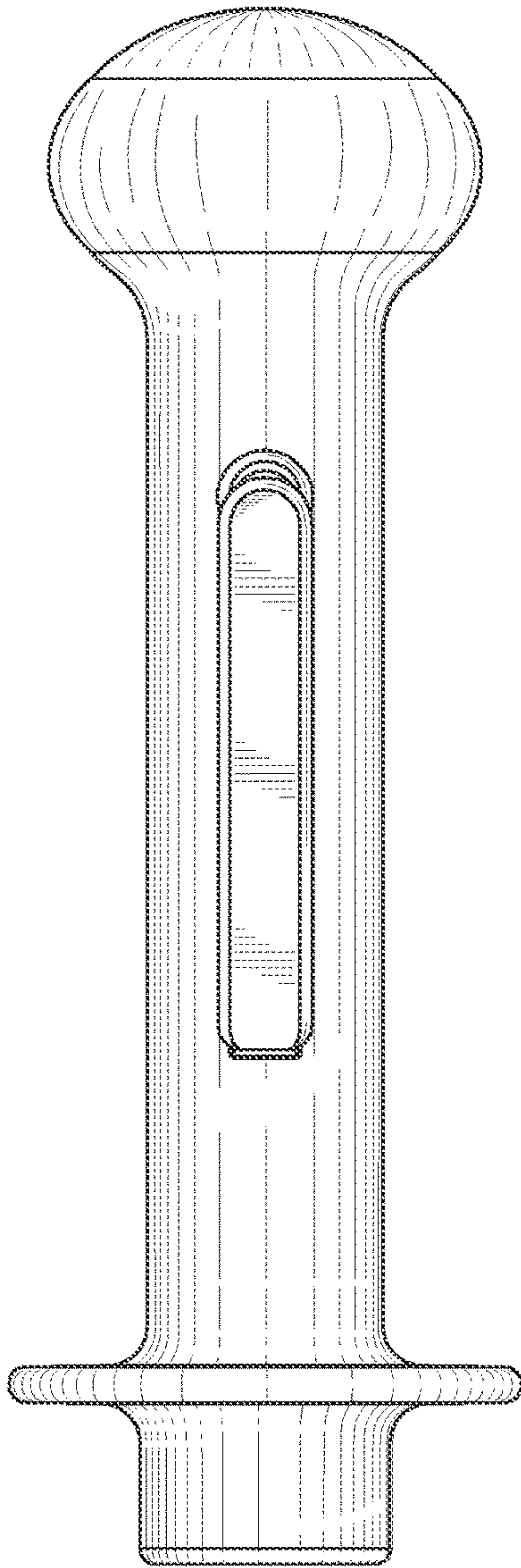


FIG. 4

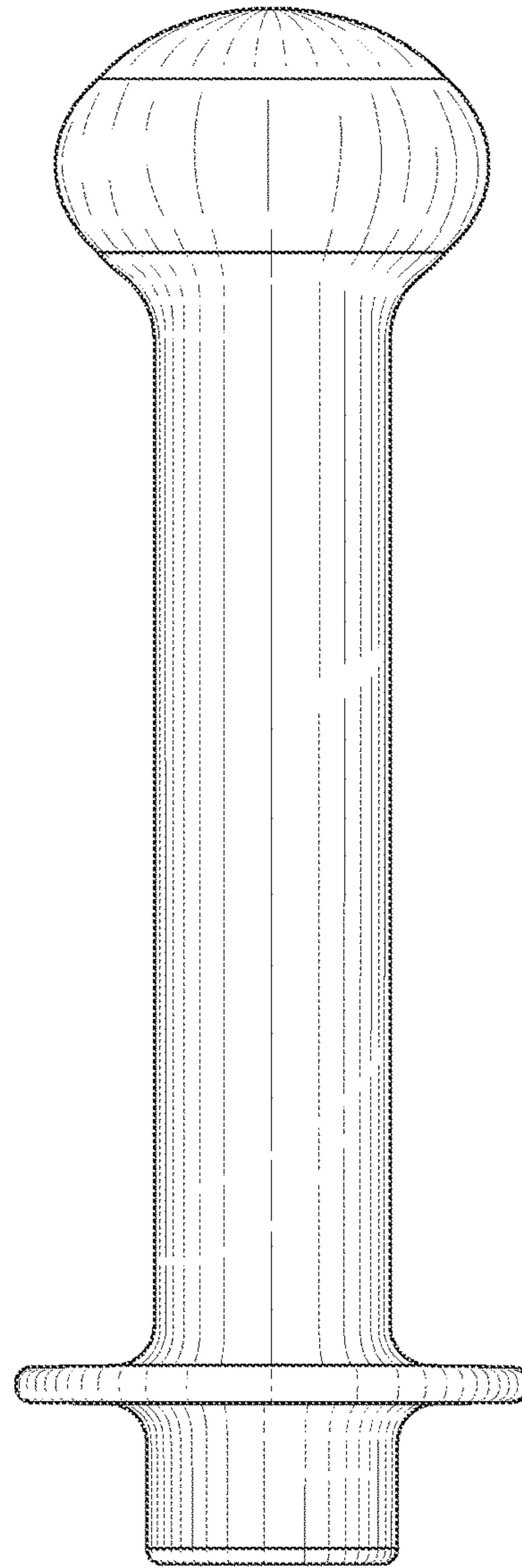


FIG. 5

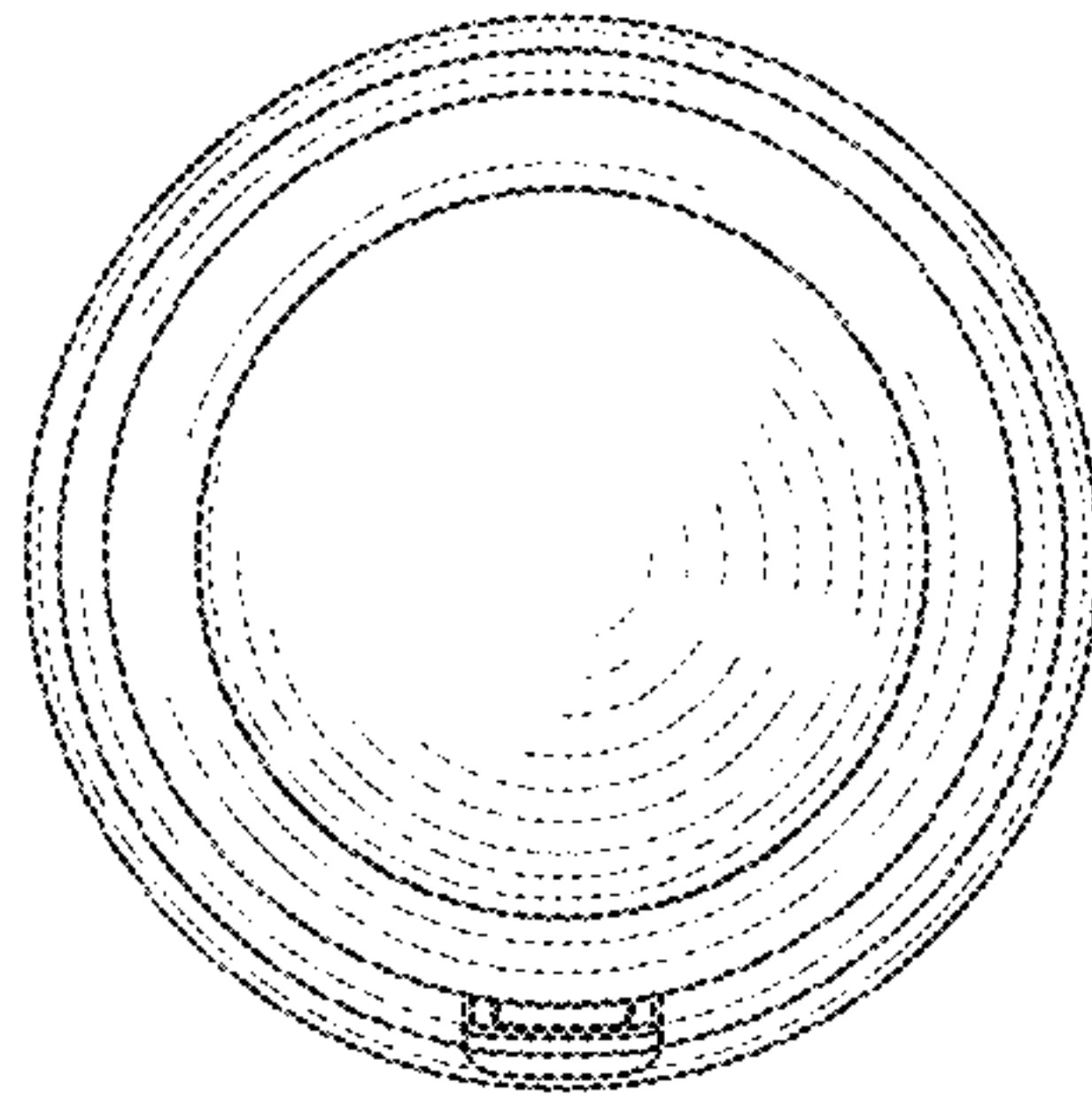


FIG. 6

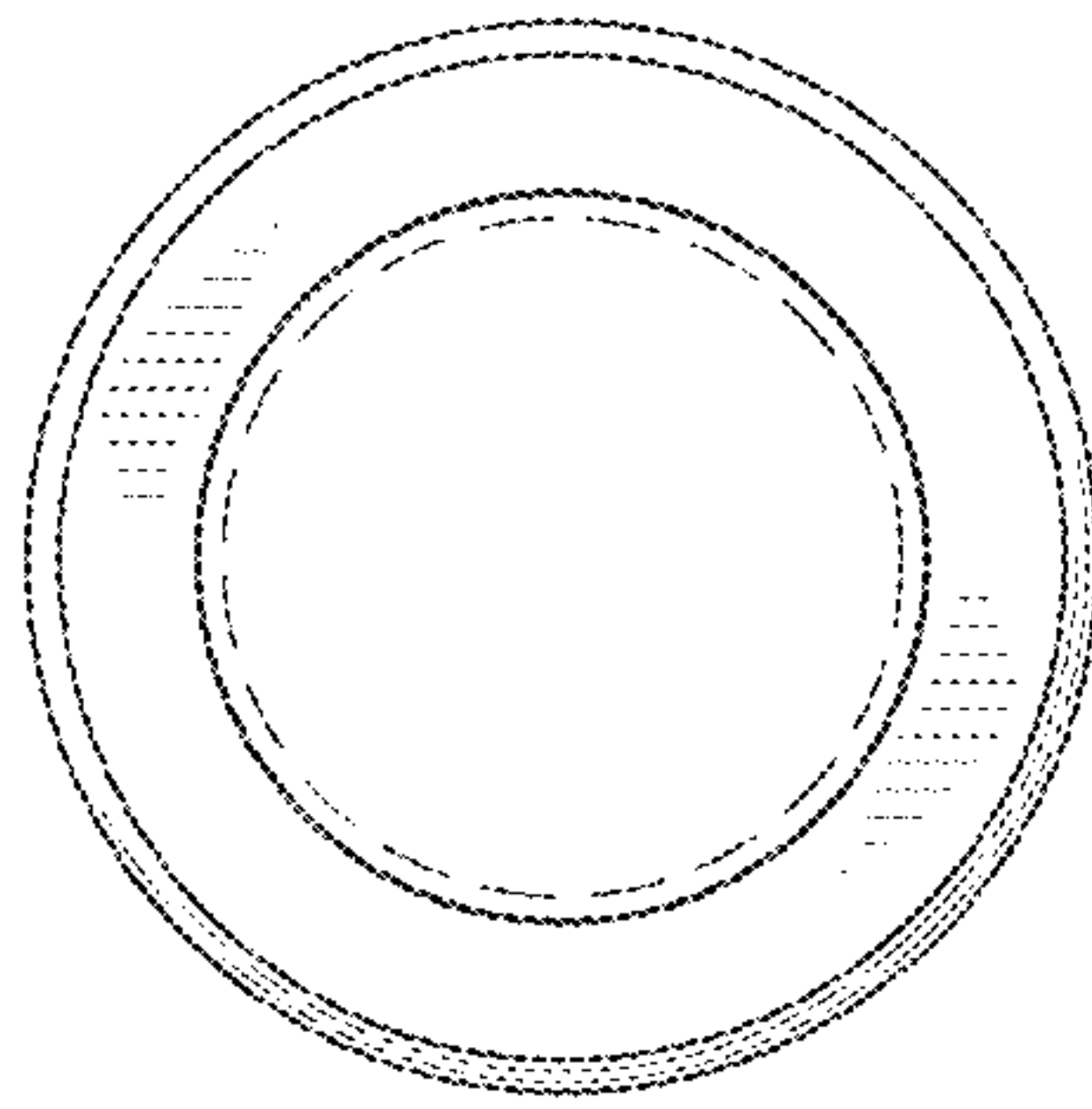


FIG. 7