



US00D794887S

(12) **United States Design Patent**  
**Kim et al.**

(10) **Patent No.: US D794,887 S**

(45) **Date of Patent: \*\* \*Aug. 15, 2017**

(54) **WASHING MACHINE**

(71) Applicant: **Samsung Electronics Co., Ltd.**,  
Suwon-si (KR)

(72) Inventors: **Jin-Nam Kim**, Seoul (KR); **Ji-Yeun Yoon**, Seoul (KR); **Dong-Won Chun**, Seoul (KR)

(73) Assignee: **Samsung Electronics Co., Ltd.**,  
Suwon-si (KR)

(\*) Notice: This patent is subject to a terminal disclaimer.

(\*\*) Term: **15 Years**

(21) Appl. No.: **29/549,227**

(22) Filed: **Dec. 21, 2015**

(30) **Foreign Application Priority Data**

Jul. 1, 2015 (KR) ..... 30-2015-0033271

(51) **LOC (10) Cl.** ..... **15-05**

(52) **U.S. Cl.**  
USPC ..... **D32/29.1**

(58) **Field of Classification Search**  
USPC ..... D32/29.1, 29, 1, 5, 6, 8, 10, 25, 28;  
D6/510; D7/348-349; D9/420, 423, 432  
(Continued)

(56) **References Cited**

**U.S. PATENT DOCUMENTS**

D276,594 S \* 12/1984 Fahey ..... D9/420  
D449,782 S \* 10/2001 Diaz ..... D7/629  
(Continued)

**FOREIGN PATENT DOCUMENTS**

KR 30-2010-0005977 4/2011  
RU 0010024 \* 11/2015

(Continued)

**OTHER PUBLICATIONS**

Buyers and Sellers. "The inside of the new Miele Washing machine TwinDos ultra phase 1 and 2 system". [2013] plus.google.com Sep. 14, 2013 <<https://plus.google.com/+buyersandsellers/posts/3Phj9nkm2Sf>>.

(Continued)

*Primary Examiner* — Caron D Veynar

*Assistant Examiner* — Laura Yu

(74) *Attorney, Agent, or Firm* — NSIP Law

(57) **CLAIM**

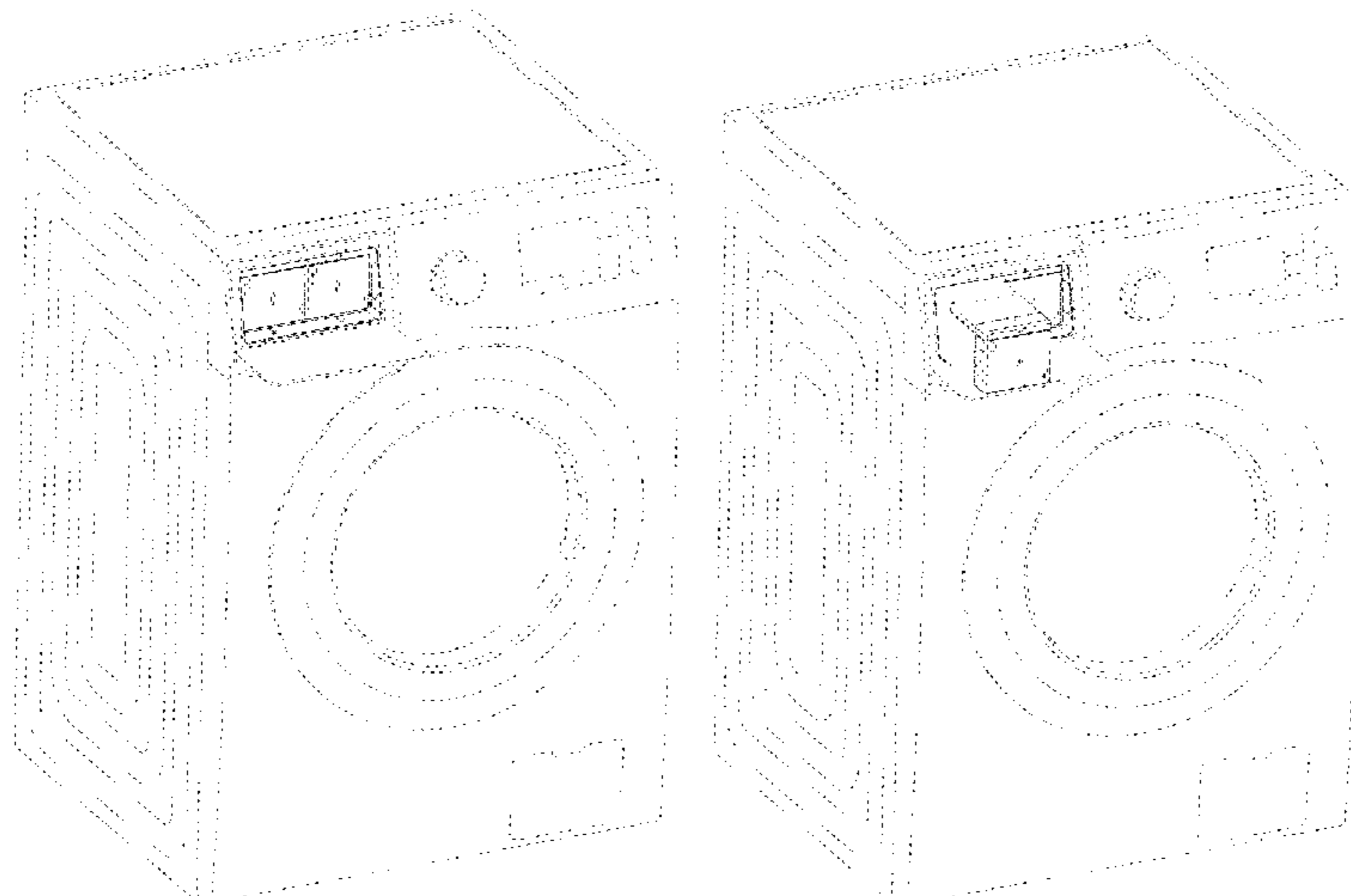
We claim the ornamental design for a washing machine, as shown and described.

**DESCRIPTION**

FIG. 1 is a front perspective view of a washing machine showing our new design;  
FIG. 2 is a front view thereof;  
FIG. 3 is a rear view thereof;  
FIG. 4 is a left-side view thereof;  
FIG. 5 is a right-side view thereof;  
FIG. 6 is a top view thereof;  
FIG. 7 is a bottom view thereof;  
FIG. 8 is another front perspective view of the washing machine shown in an alternate position;  
FIG. 9 is an exploded view of the washing machine in which the detergent container is shown separated from the body of the washing machine; and,  
FIG. 10 is an enlarged view of the claimed portion shown in FIG. 8 to show that each detergent container can be removed.

The broken lines in the figures show portions of the washing machine which form no part of the claimed design. The dot-dash broken lines in the figures represent an unclaimed boundary line and form no part of the claimed design.

**1 Claim, 10 Drawing Sheets**



(58) **Field of Classification Search**

CPC ..... D06F 39/045; D06F 29/00; D06F 29/005;  
D06F 25/00; D06F 39/022; D06F 33/02;  
D06F 2204/065; D06F 35/006; A47L  
15/4418

See application file for complete search history.

(56) **References Cited**

U.S. PATENT DOCUMENTS

D485,754 S \* 1/2004 Fielder ..... D9/416  
D488,863 S \* 4/2004 Quinn ..... D24/121  
D629,168 S 12/2010 Park et al.  
2010/0161143 A1\* 6/2010 Smith ..... A47L 15/4418  
700/283  
2016/0289883 A1\* 10/2016 Lv ..... D06F 35/005

FOREIGN PATENT DOCUMENTS

RU 0010025 \* 11/2015  
RU 0010029 \* 11/2015

OTHER PUBLICATIONS

“Miele Ultraphase1”. [2015] [www.geraldgiles.co.uk](http://www.geraldgiles.co.uk) May 24, 2015  
<[http://www.geraldgiles.co.uk/store/miele/accessories/ultraphase1/  
product5664/](http://www.geraldgiles.co.uk/store/miele/accessories/ultraphase1/product5664/)>.

\* cited by examiner

FIG. 1

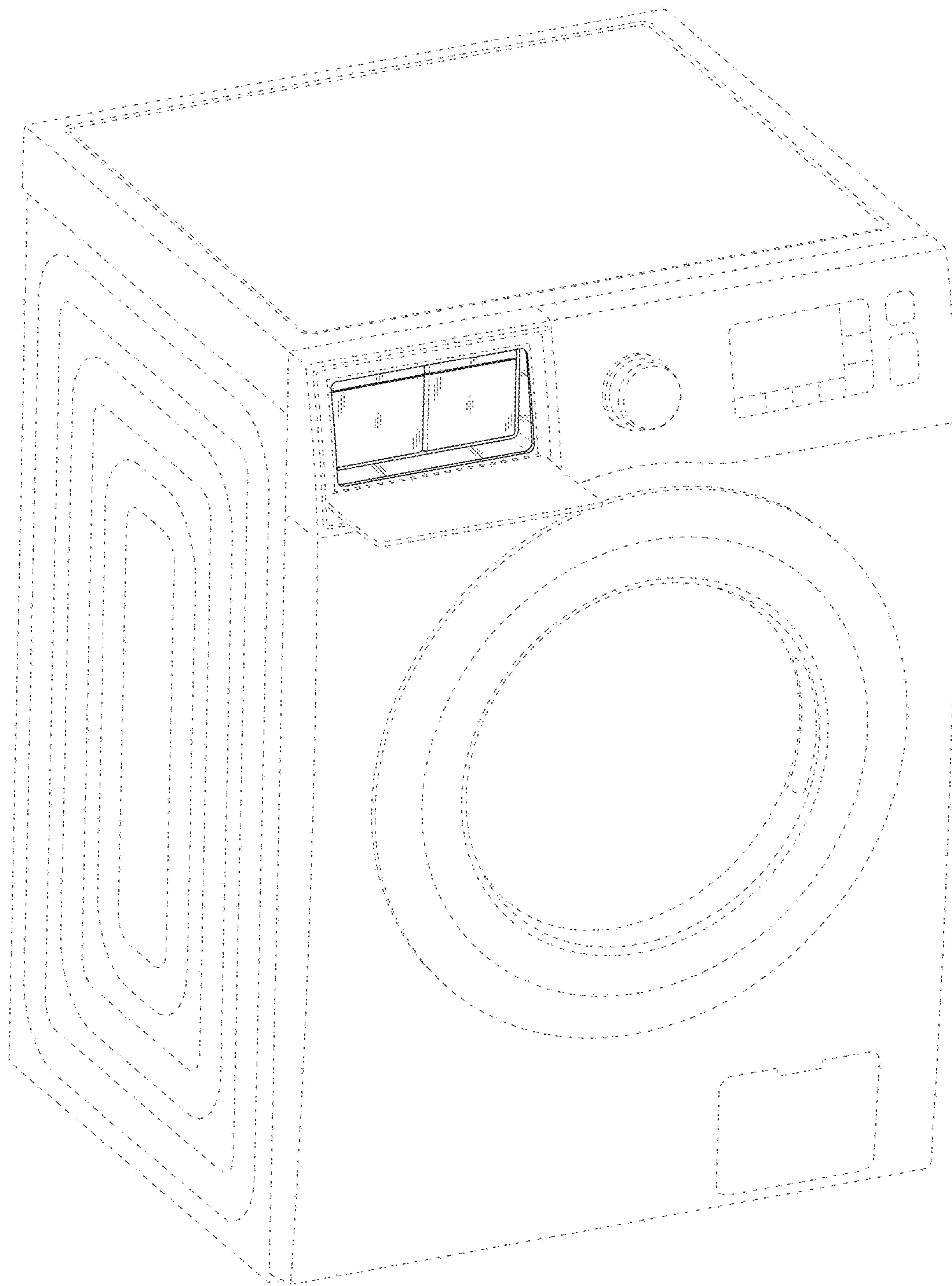


FIG. 2

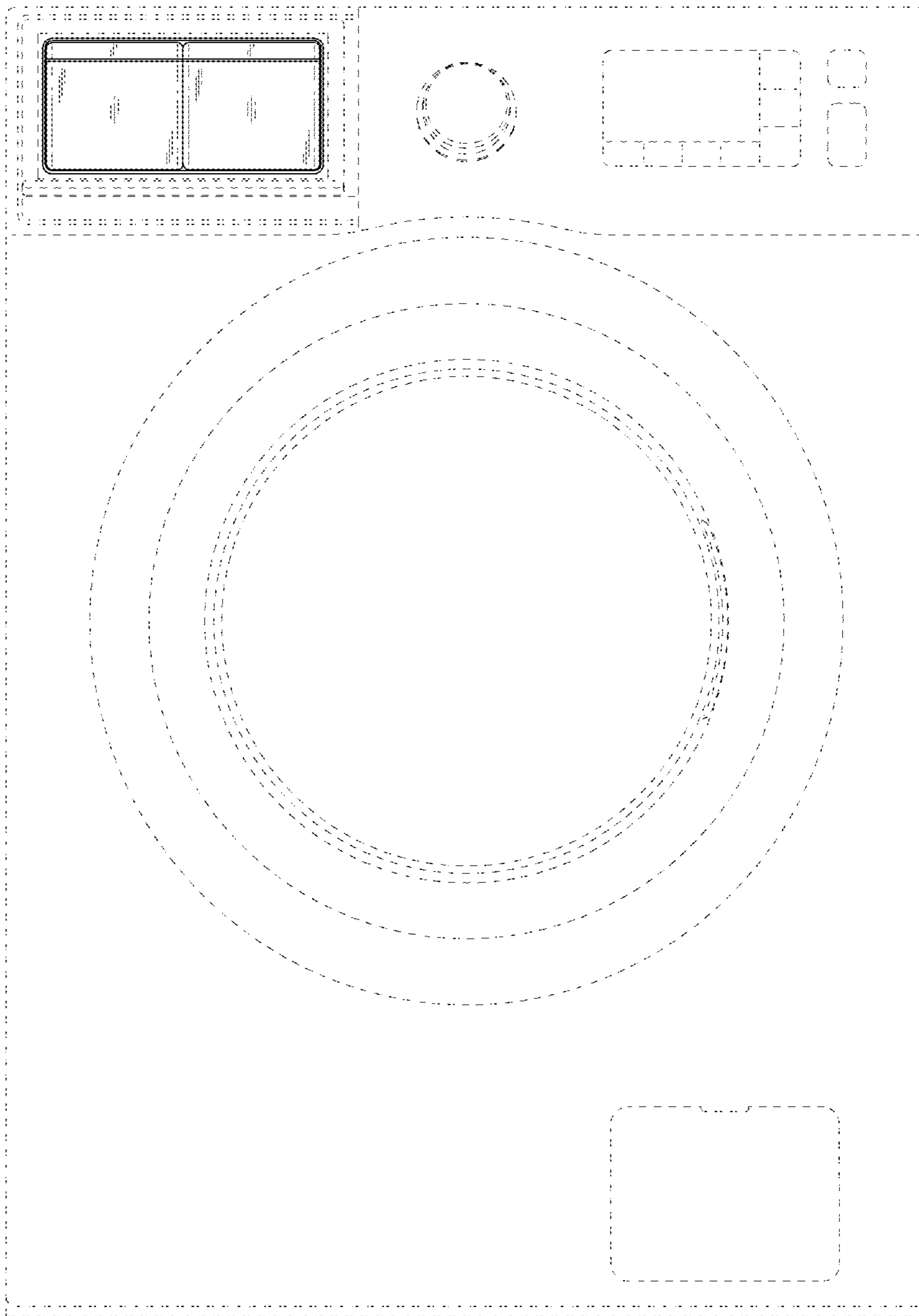


FIG. 3

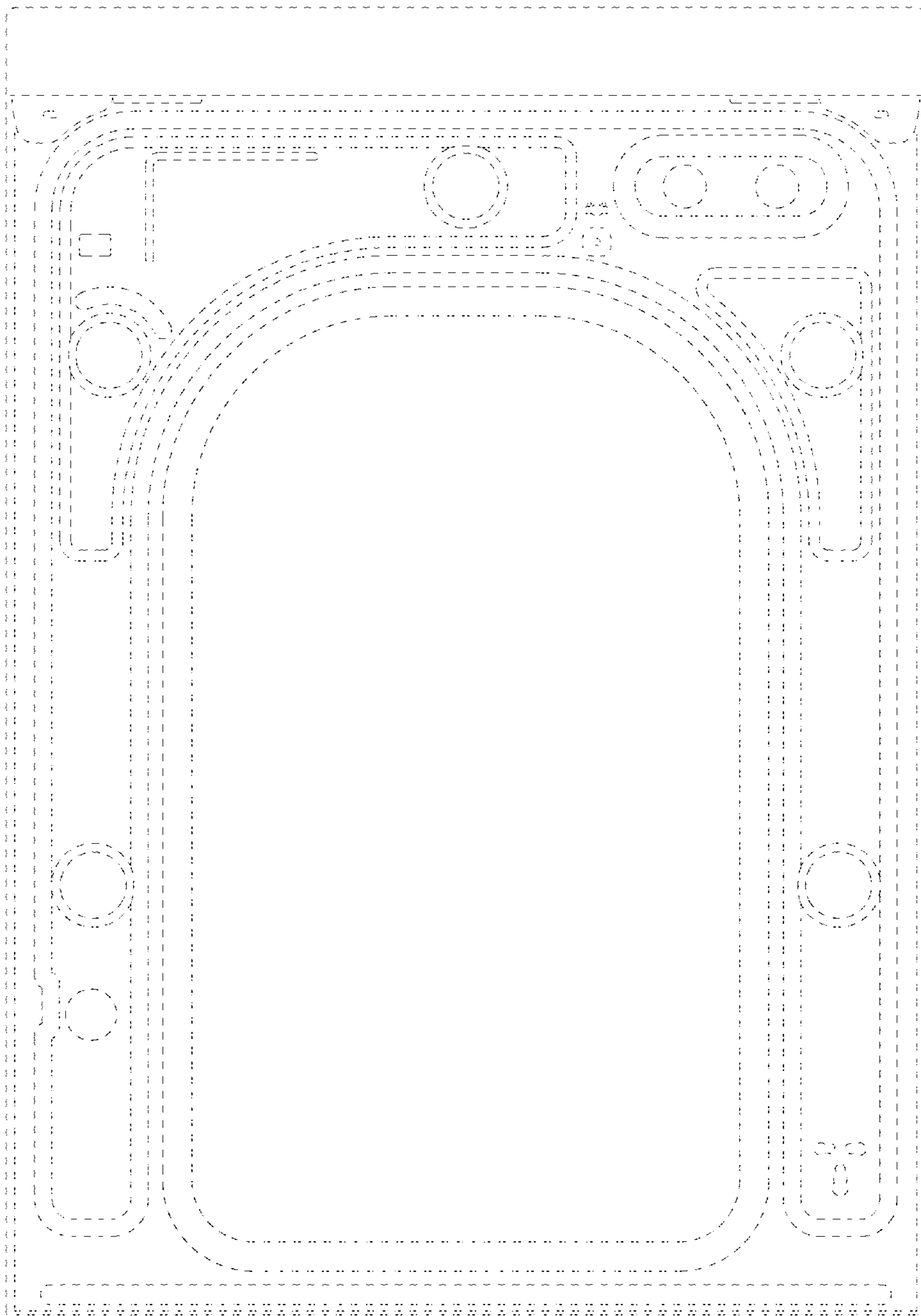


FIG. 4

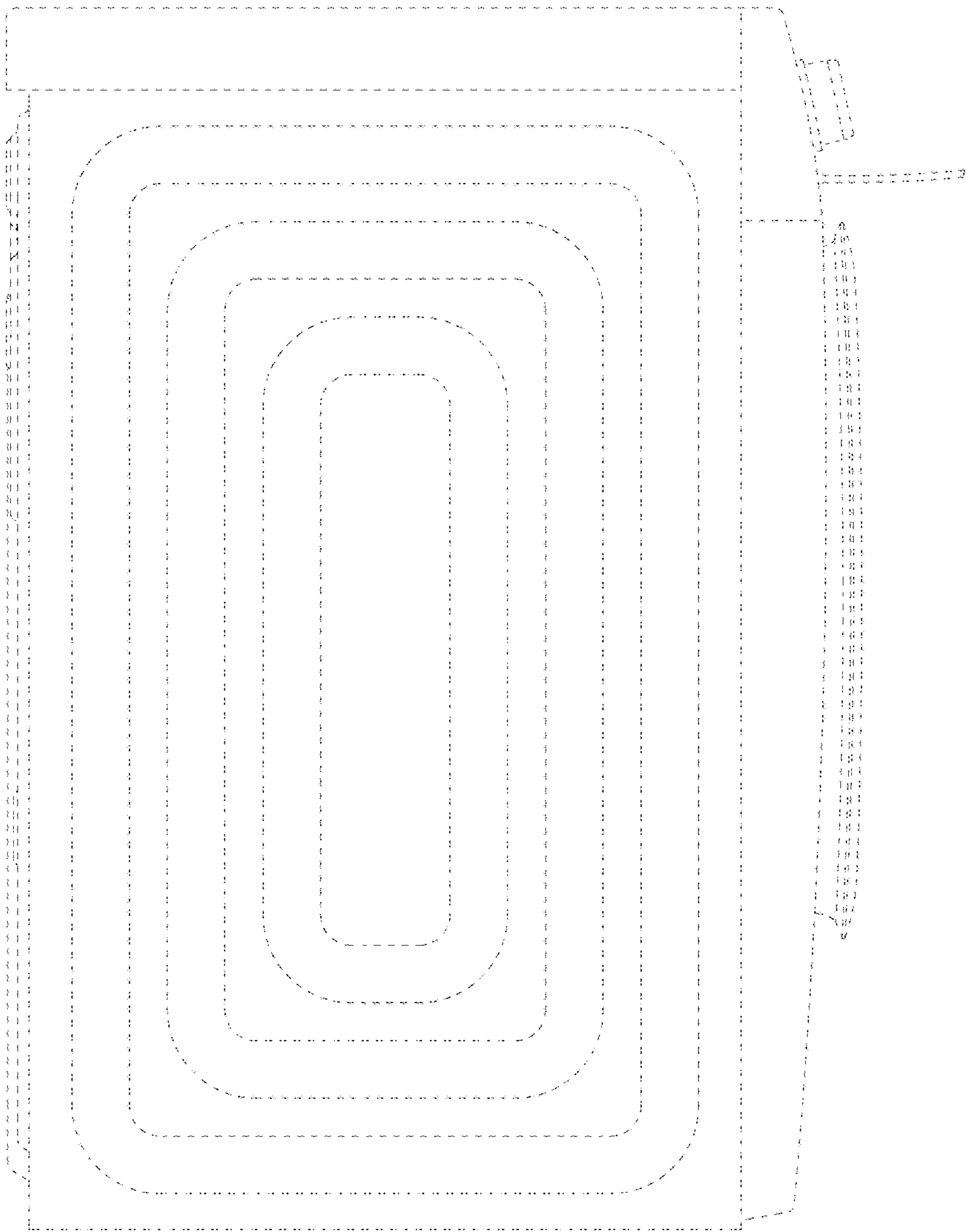


FIG. 5

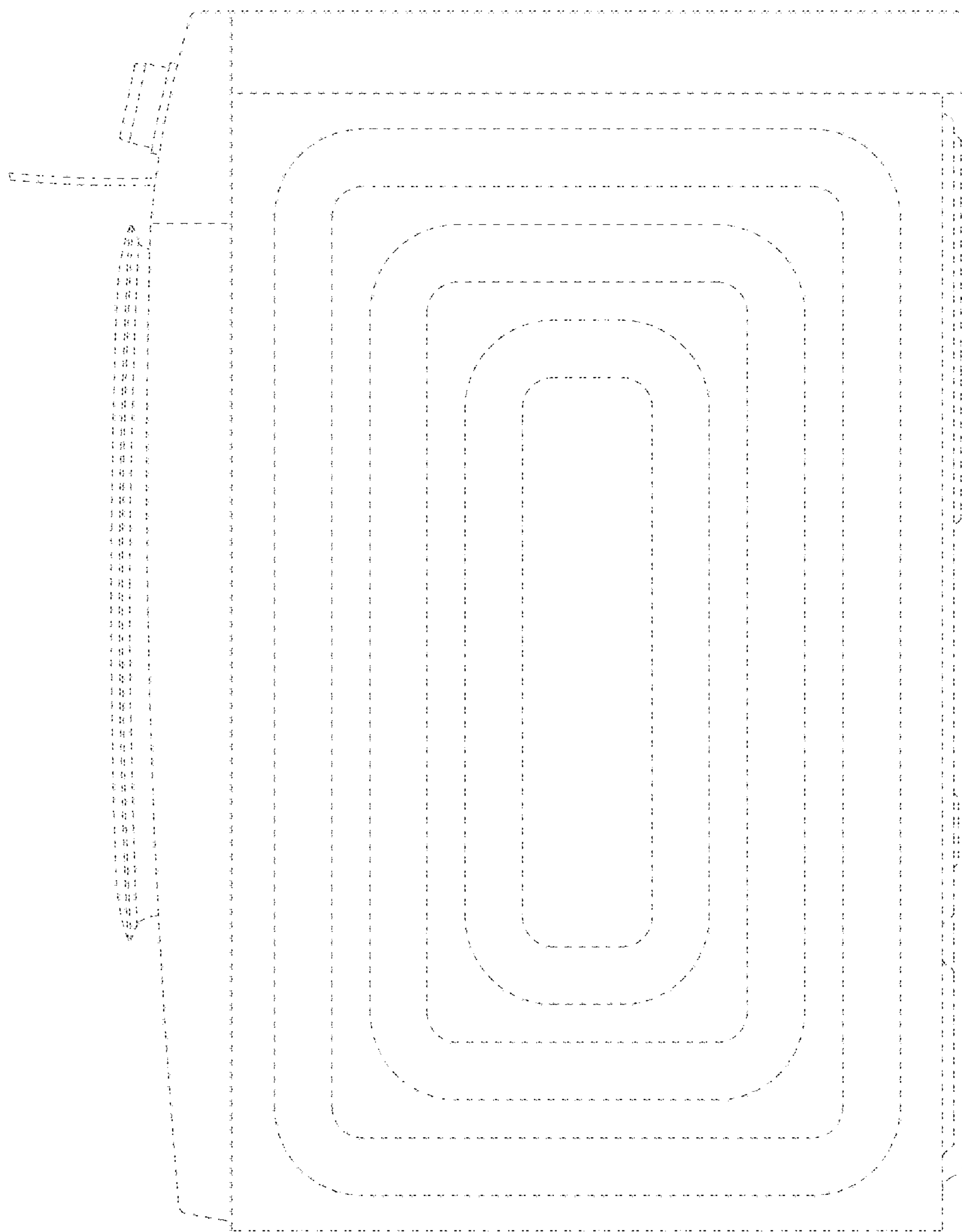


FIG. 6

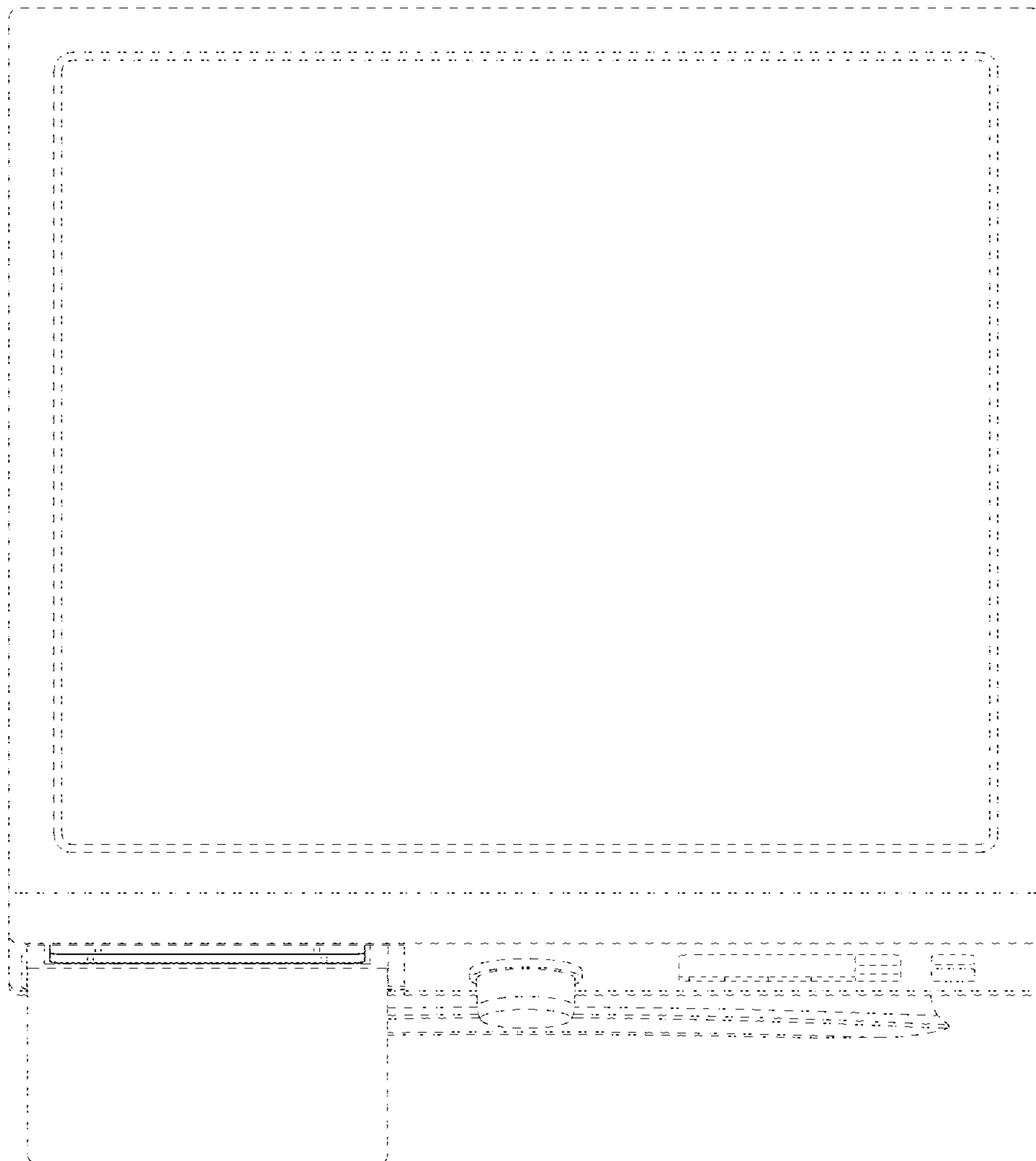




FIG. 7

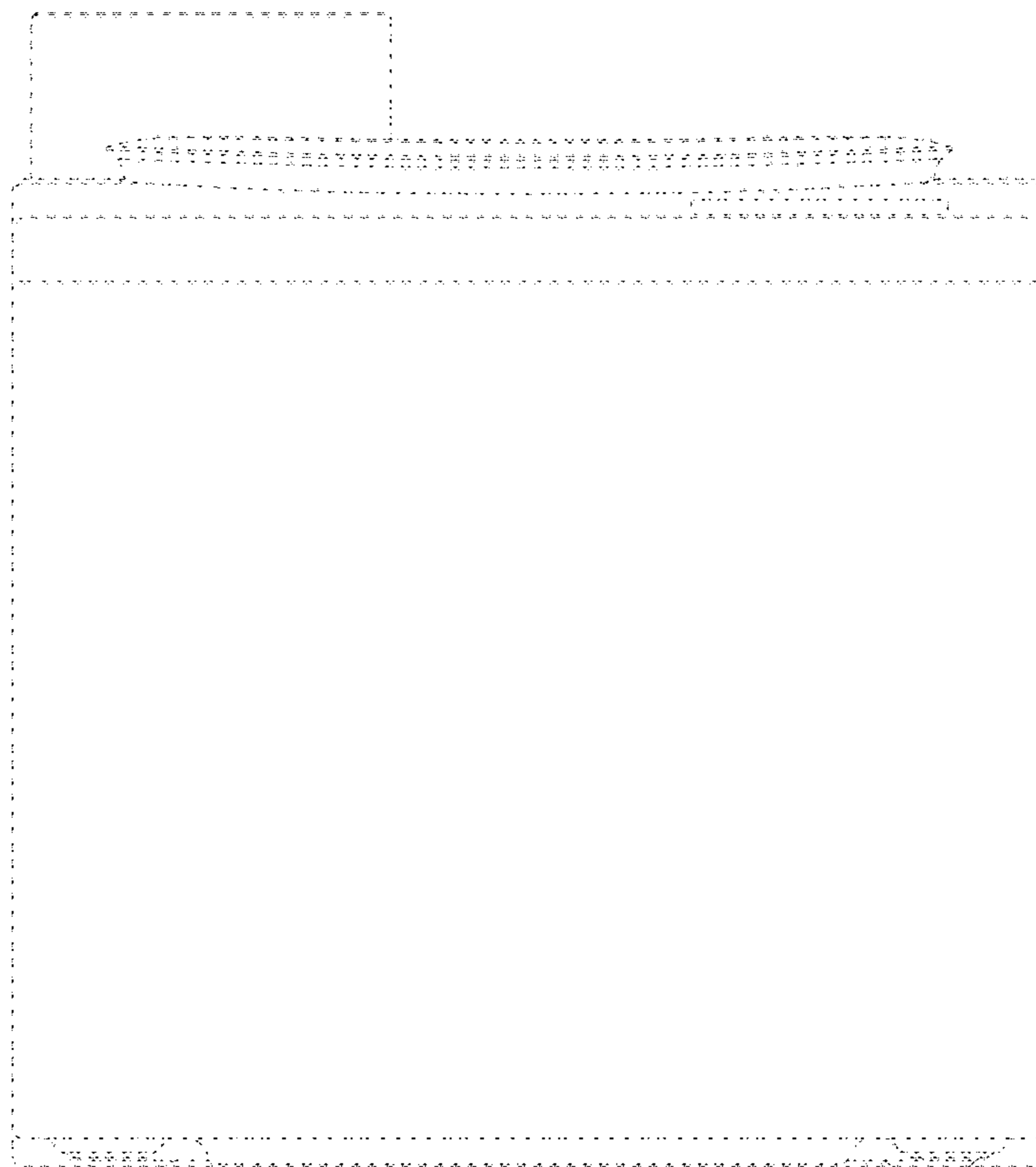


FIG. 8

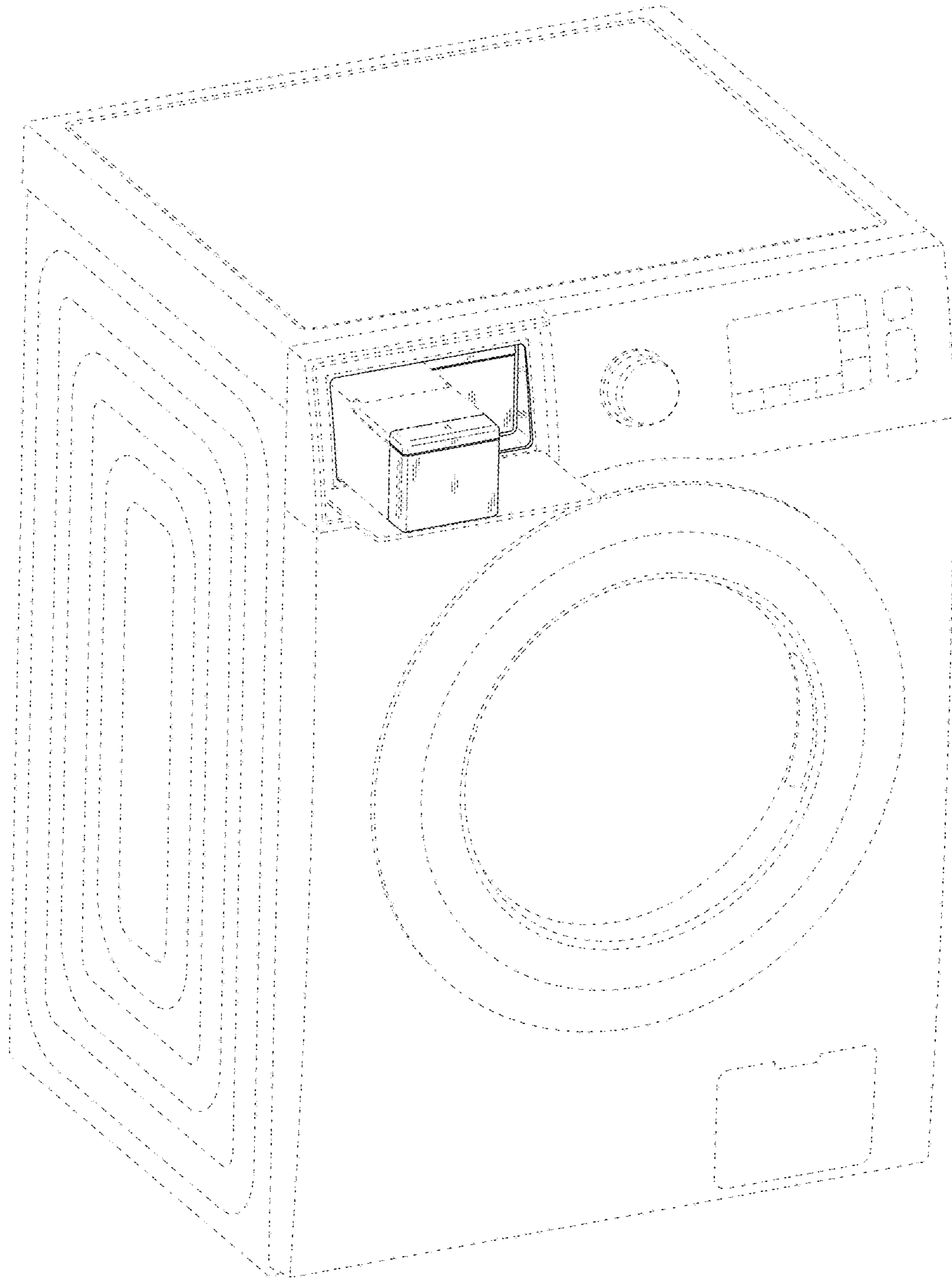


FIG. 9

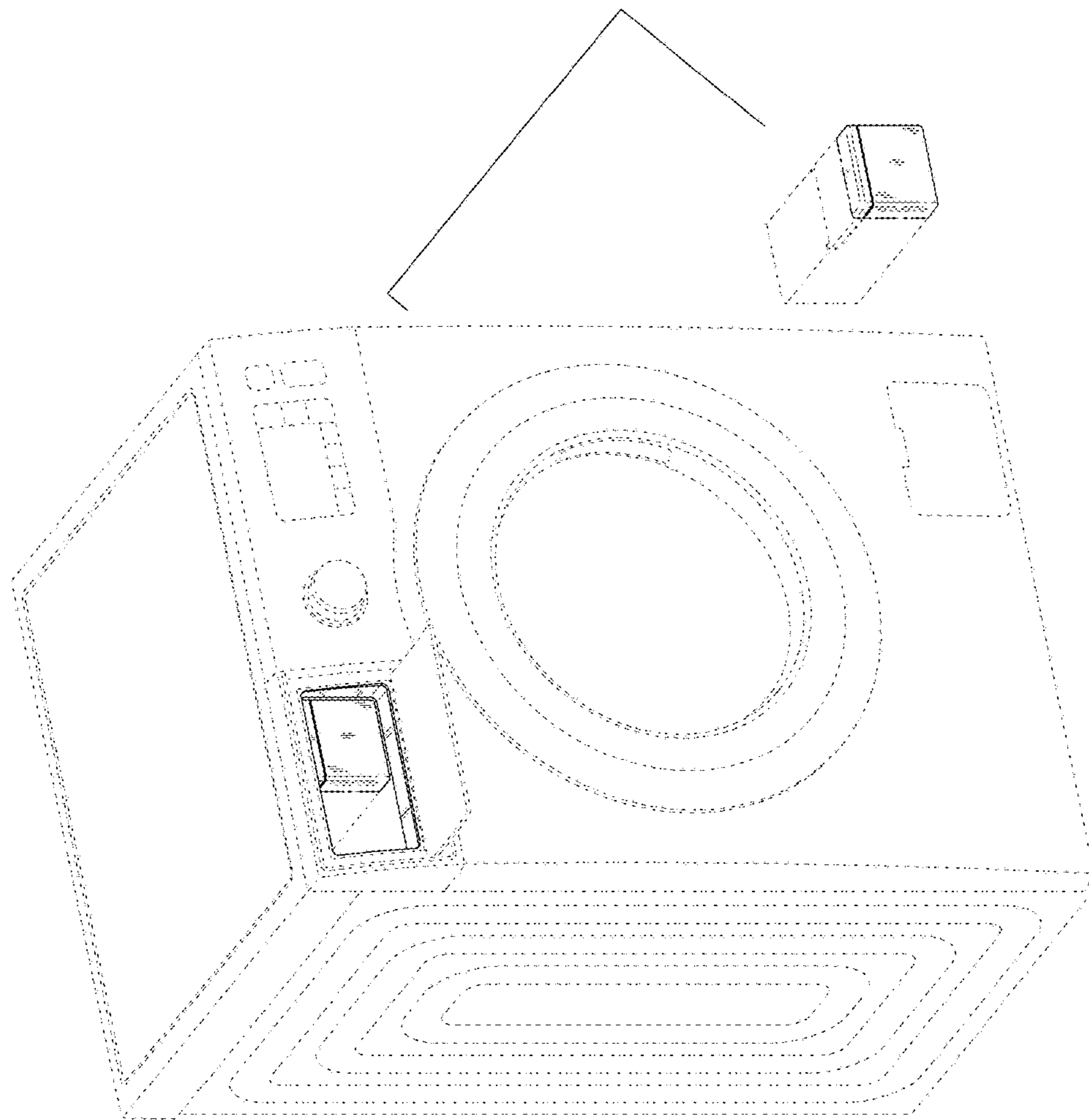


FIG. 10

