



US00D794881S

(12) **United States Design Patent**  
**Bisson**

(10) **Patent No.:** **US D794,881 S**

(45) **Date of Patent:** **\*\* Aug. 15, 2017**

(54) **WET-DRY INDUSTRIAL VACUUM**

(71) Applicant: **Montgomery Bisson**, Huntington Beach, CA (US)

(72) Inventor: **Montgomery Bisson**, Huntington Beach, CA (US)

(\*\*) Term: **15 Years**

(21) Appl. No.: **29/563,777**

(22) Filed: **May 7, 2016**

(51) **LOC (10) Cl.** ..... **15-05**

(52) **U.S. Cl.**  
USPC ..... **D32/22**

(58) **Field of Classification Search**  
USPC ..... D32/17-18, 21-22, 31, 34  
CPC ..... A47L 5/24; A47L 5/28; A47L 5/34; A47L 5/362; A47L 5/36; A47L 11/34; A47L 9/325; A47L 9/20; A47L 9/02; A47L 9/32; A47L 9/322; A47L 9/327; A47L 7/0038

See application file for complete search history.

(56) **References Cited**

**U.S. PATENT DOCUMENTS**

D404,859 S *	1/1999	Dziarsk	.....	D32/22
D405,567 S *	2/1999	Kent	.....	D32/22
D417,045 S *	11/1999	Dziarsk	.....	D32/16
D712,102 S *	8/2014	Hill	.....	D32/22
D723,755 S *	3/2015	Barrett	.....	D32/22

D765,926 S *	9/2016	Bisson	.....	D32/22
2002/0013975 A1 *	2/2002	Fulghum	.....	A47L 11/03 15/320
2004/0172769 A1 *	9/2004	Giddings	.....	A47L 11/185 8/148
2006/0185113 A1 *	8/2006	Kloeppel	.....	A47L 11/03 15/320
2012/0317746 A1 *	12/2012	Hill	.....	A47L 11/302 15/320
2016/0150926 A1 *	6/2016	Bisson	.....	A47L 11/4083 15/321
2016/0367101 A1 *	12/2016	Haley	.....	A47L 11/34

\* cited by examiner

*Primary Examiner* — Ruth McInroy

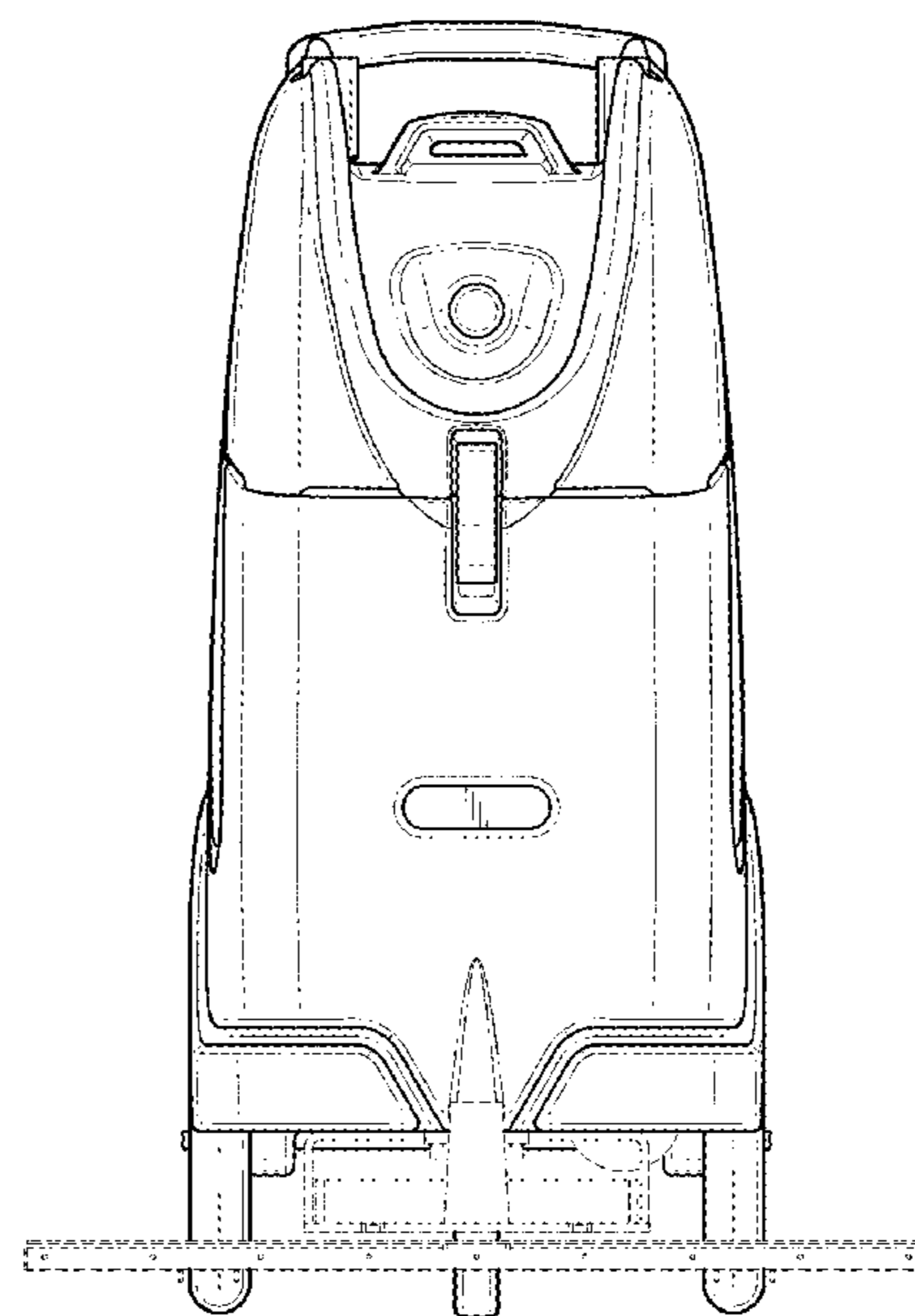
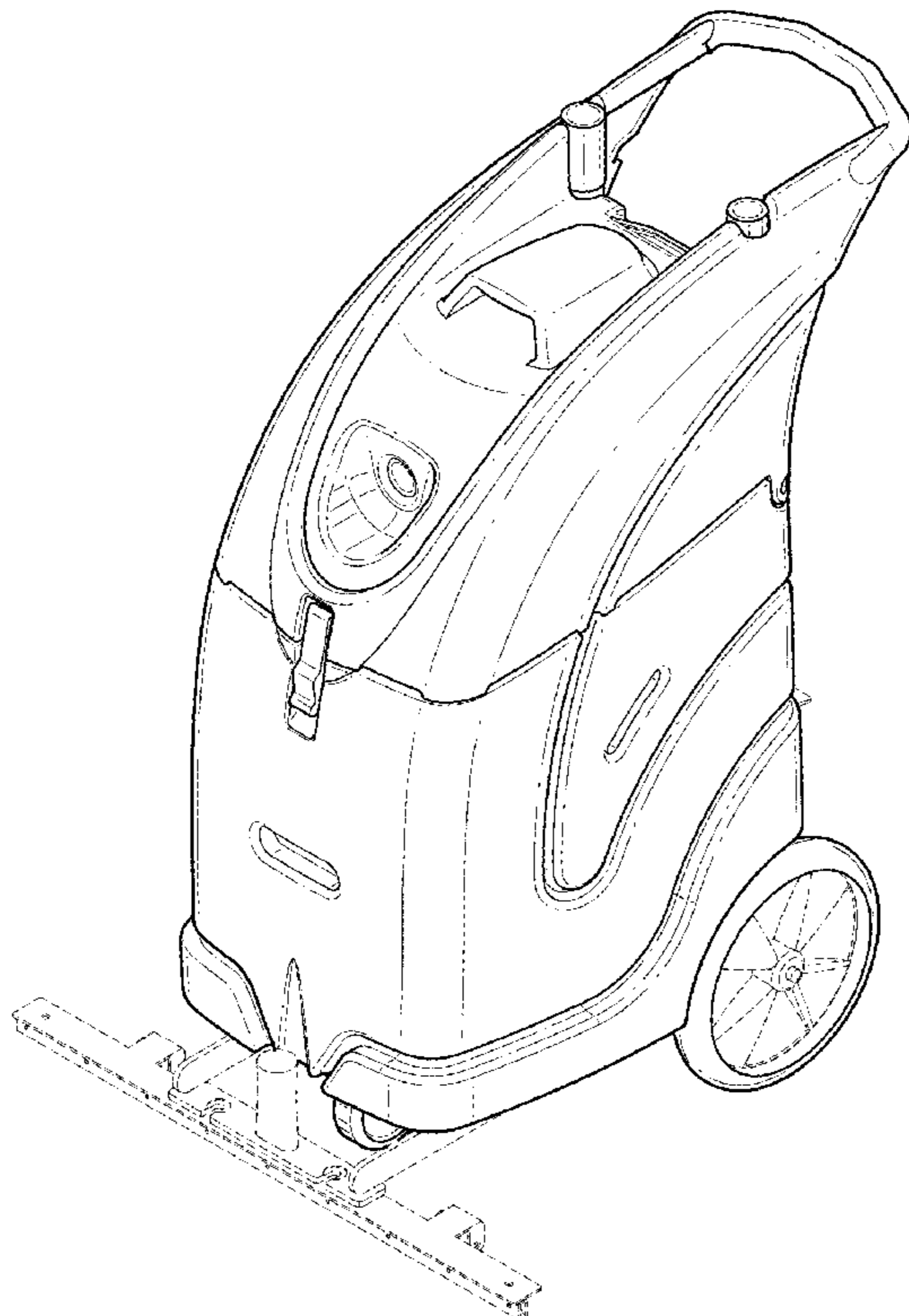
(57) **CLAIM**

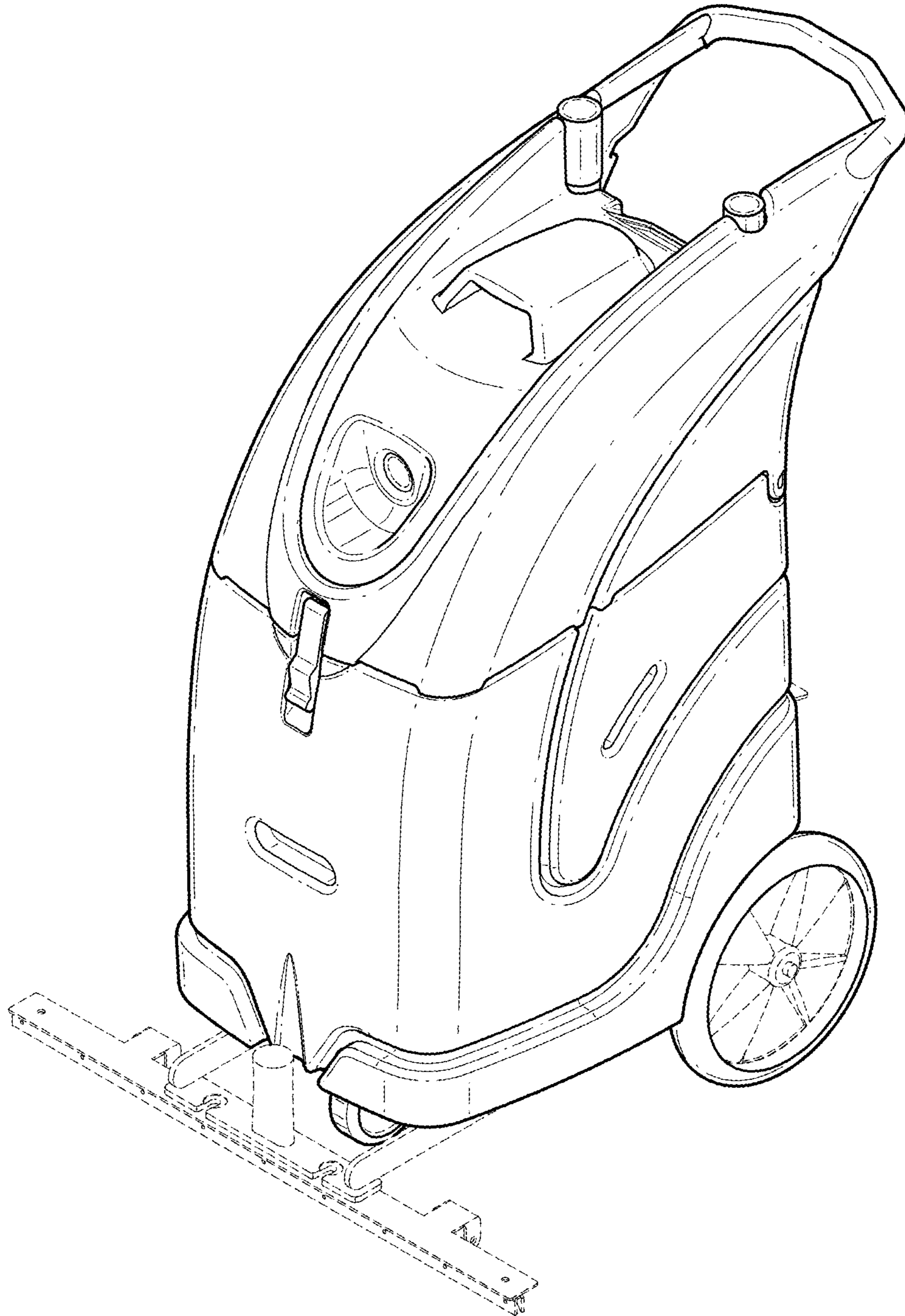
I claim the ornamental design for a wet-dry industrial vacuum, as shown.

**DESCRIPTION**

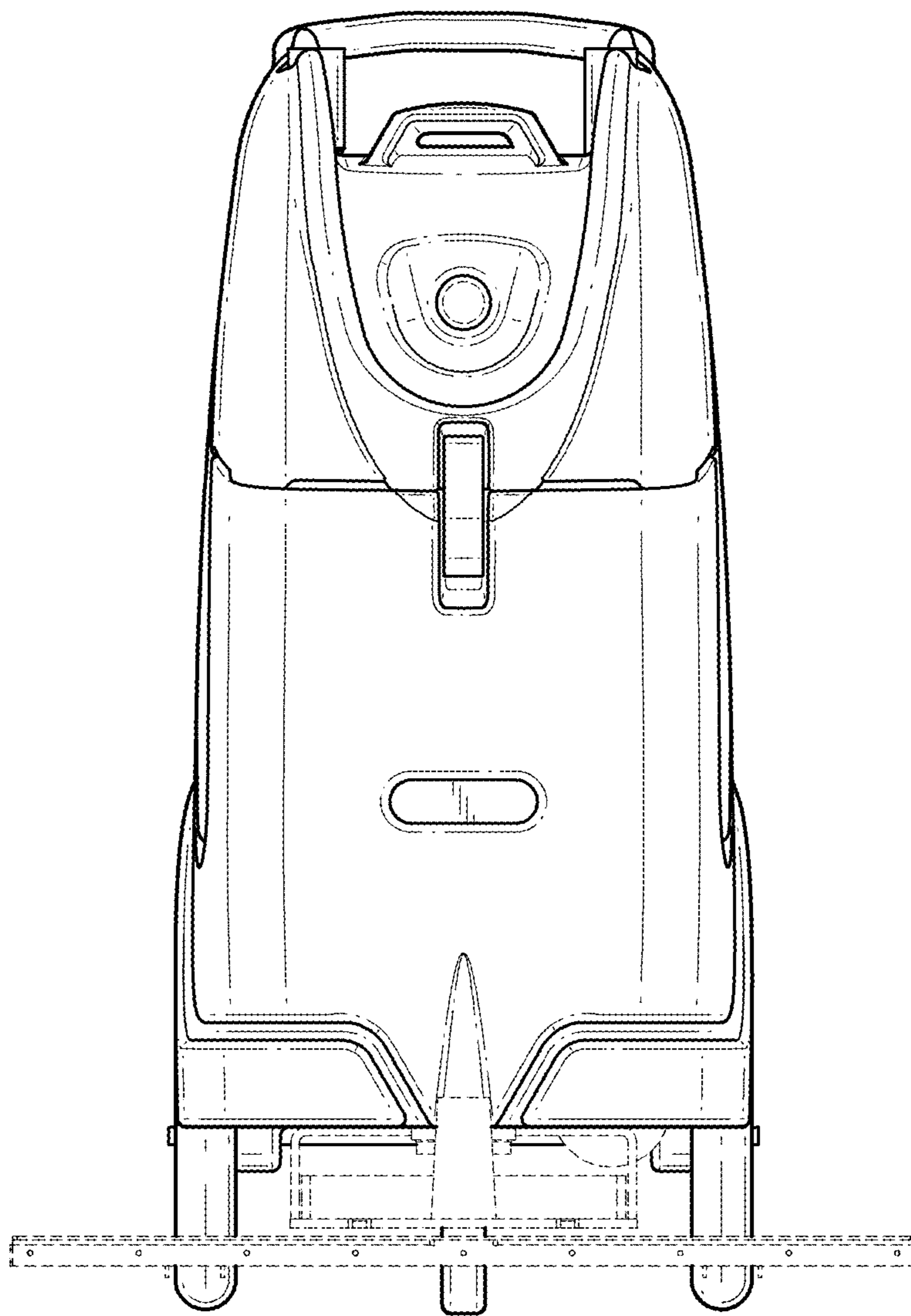
FIG. 1 is a perspective view of my new design; FIG. 2 is a front view thereof; FIG. 3 is a left side view thereof; FIG. 4 is a rear view thereof; FIG. 5 is a top view thereof; and, FIG. 6 is a bottom view thereof. The right side view is a mirror image of the left side view of FIG. 3. The detachable attachment shown in broken lines is unclaimed subject matter and forms no part of the claimed design or of a specified embodiment thereof.

**1 Claim, 6 Drawing Sheets**

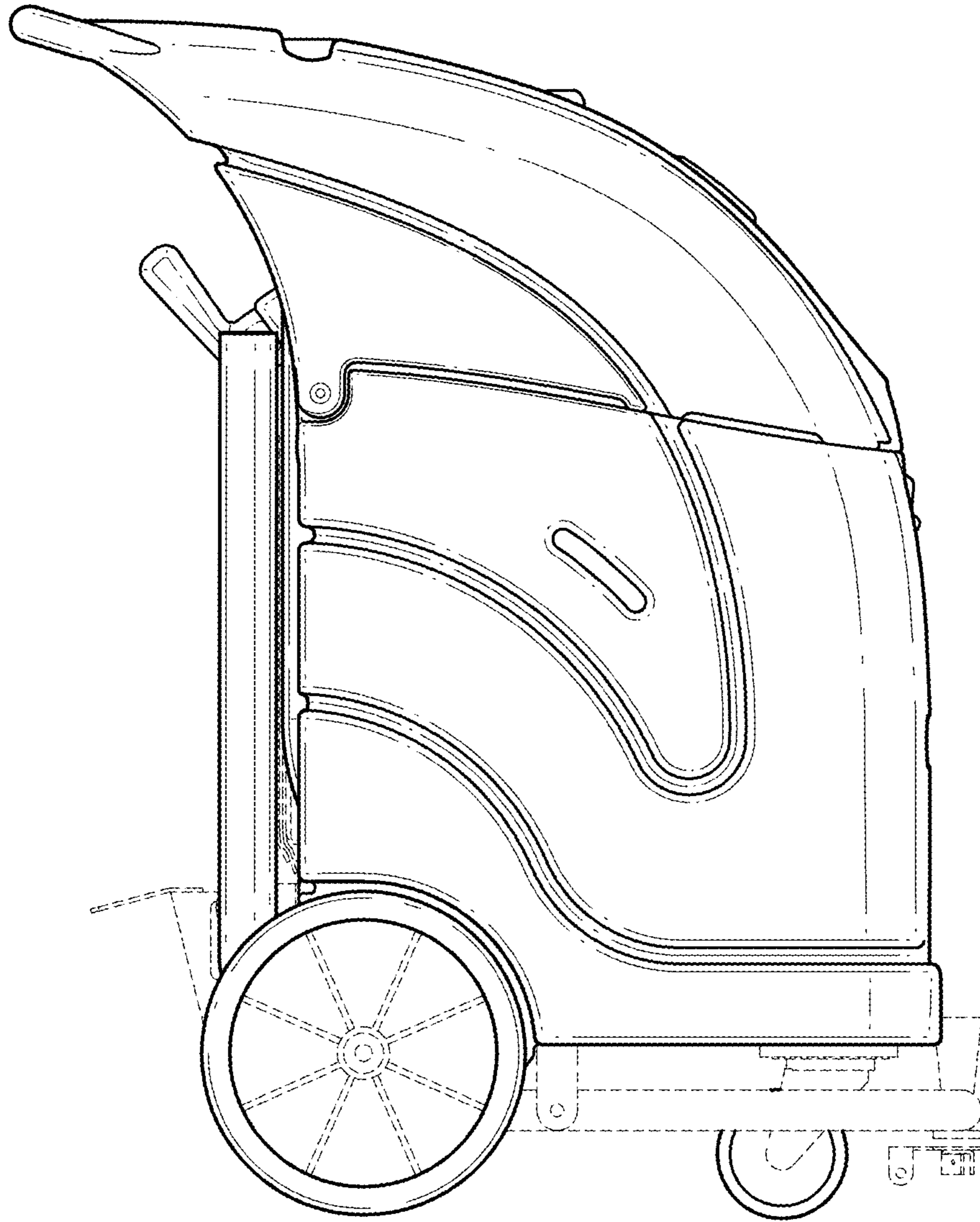




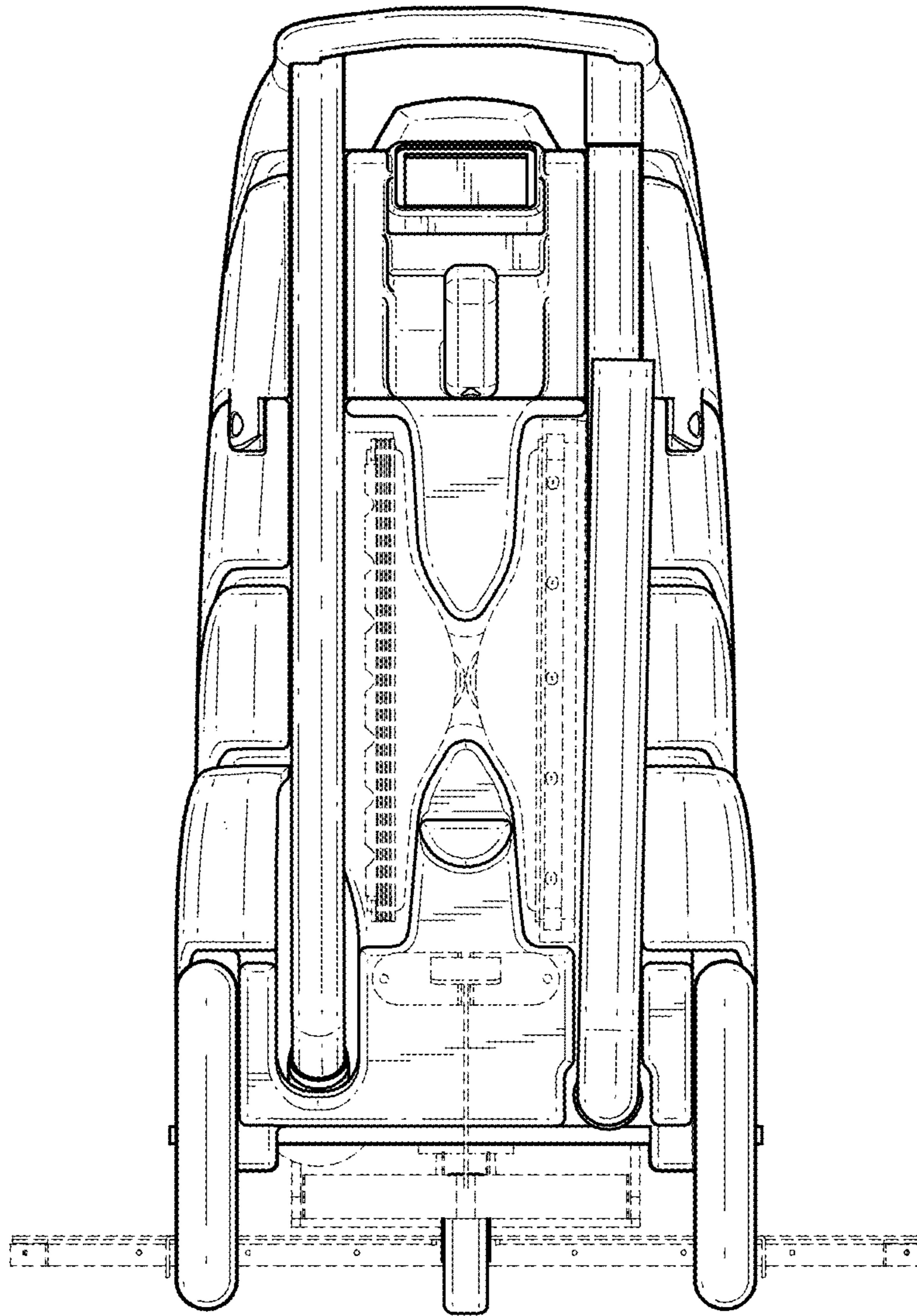
**FIG. 1**



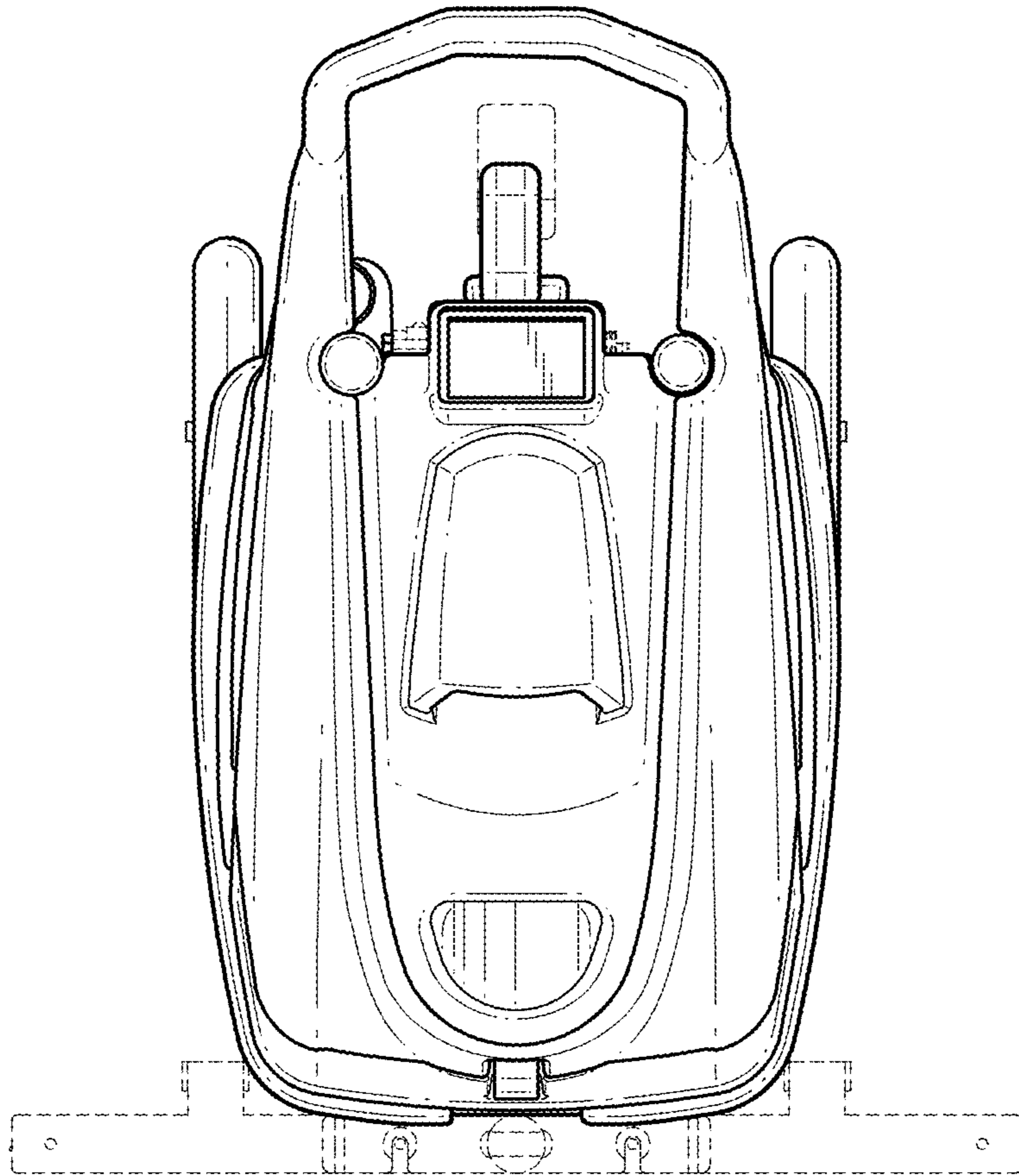
**FIG. 2**



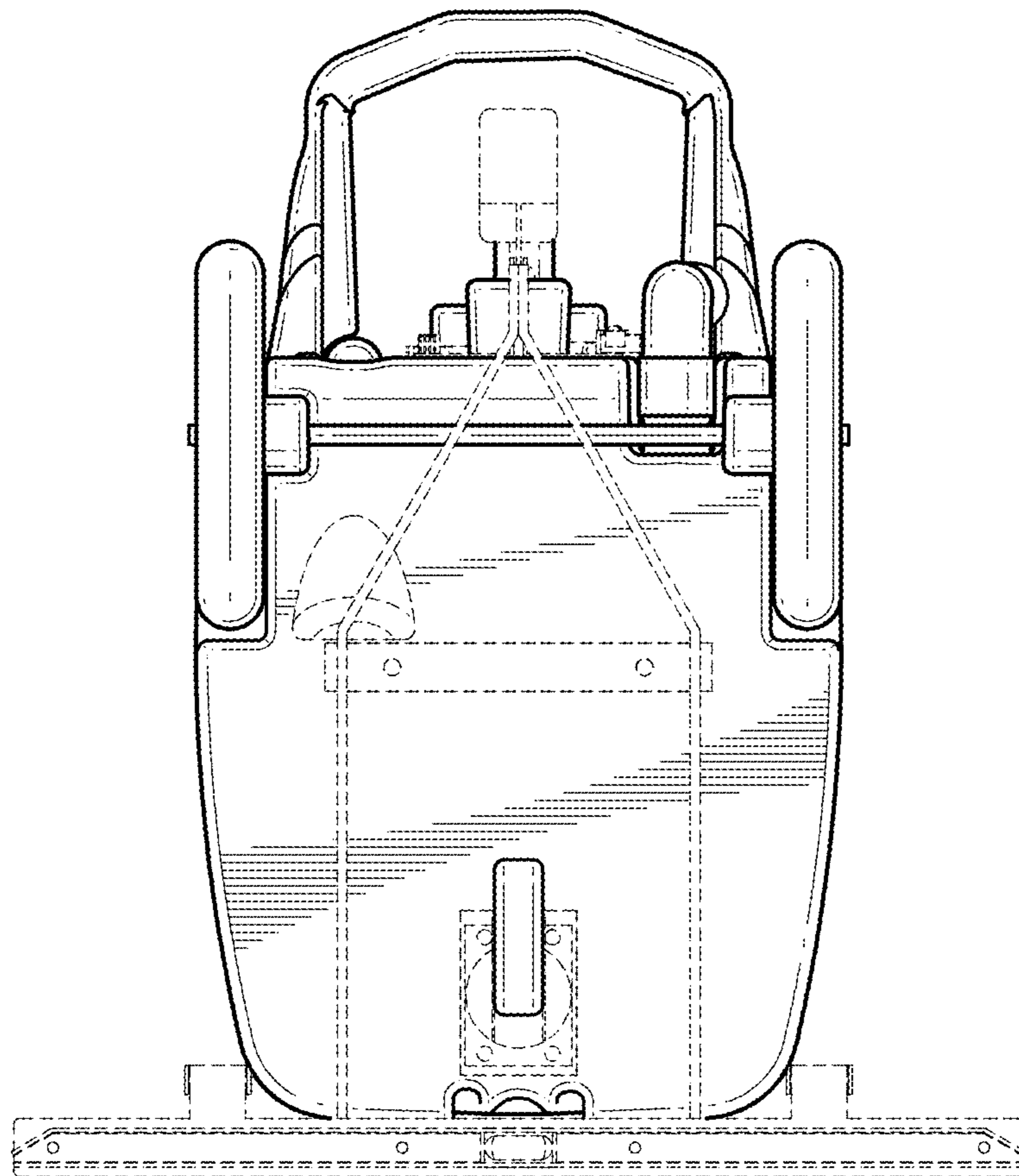
**FIG. 3**



**FIG. 4**



**FIG. 5**



**FIG. 6**