



US00D794880S

(12) **United States Design Patent**  
**Zhou**

(10) **Patent No.:** **US D794,880 S**

(45) **Date of Patent:** **\*\* Aug. 15, 2017**

(54) **VERTICAL CLEANER**

(71) Applicant: **JIANGSU MIDEA CLEANING APPLIANCES CO., LTD.**, Suzhou (CN)

(72) Inventor: **Liangsheng Zhou**, Suzhou (CN)

(73) Assignee: **JIANGSU MIDEA CLEANING APPLIANCES CO., LTD.**, Suzhou (CN)

(\*\*) Term: **15 Years**

(21) Appl. No.: **29/526,994**

(22) Filed: **May 14, 2015**

(30) **Foreign Application Priority Data**

Feb. 3, 2015 (CN) ..... 2015 3 0032599

(51) **LOC (10) Cl.** ..... **15-05**

(52) **U.S. Cl.**  
USPC ..... **D32/22**

(58) **Field of Classification Search**  
USPC ..... D32/21-22, 31, 34, 25  
CPC ..... A47L 11/34; A47L 11/29; A47L 11/30;  
A47L 7/0019; A47L 7/0004; A47L  
7/0023; A47L 9/00; A47L 9/1409; A47L  
5/36-5/367; A47L 5/28

See application file for complete search history.

(56) **References Cited**

U.S. PATENT DOCUMENTS

D670,878	S	*	11/2012	Lee	.....	D32/22
D730,001	S	*	5/2015	Yun	.....	D32/22
D735,426	S	*	7/2015	Yun	.....	D32/22
D740,505	S	*	10/2015	Gidwell	.....	D32/31
D751,261	S	*	3/2016	Thorne	.....	D32/22
2015/0143659	A1	*	5/2015	Pilch	.....	A47L 9/1691 15/347

\* cited by examiner

*Primary Examiner* — Ruth McInroy

(74) *Attorney, Agent, or Firm* — Hodgson Russ LLP

(57) **CLAIM**

The ornamental design for a vertical cleaner, as shown and described.

**DESCRIPTION**

FIG. 1 is a perspective view of a vertical cleaner showing my new design;

FIG. 2 is a front view thereof;

FIG. 3 is a back view thereof;

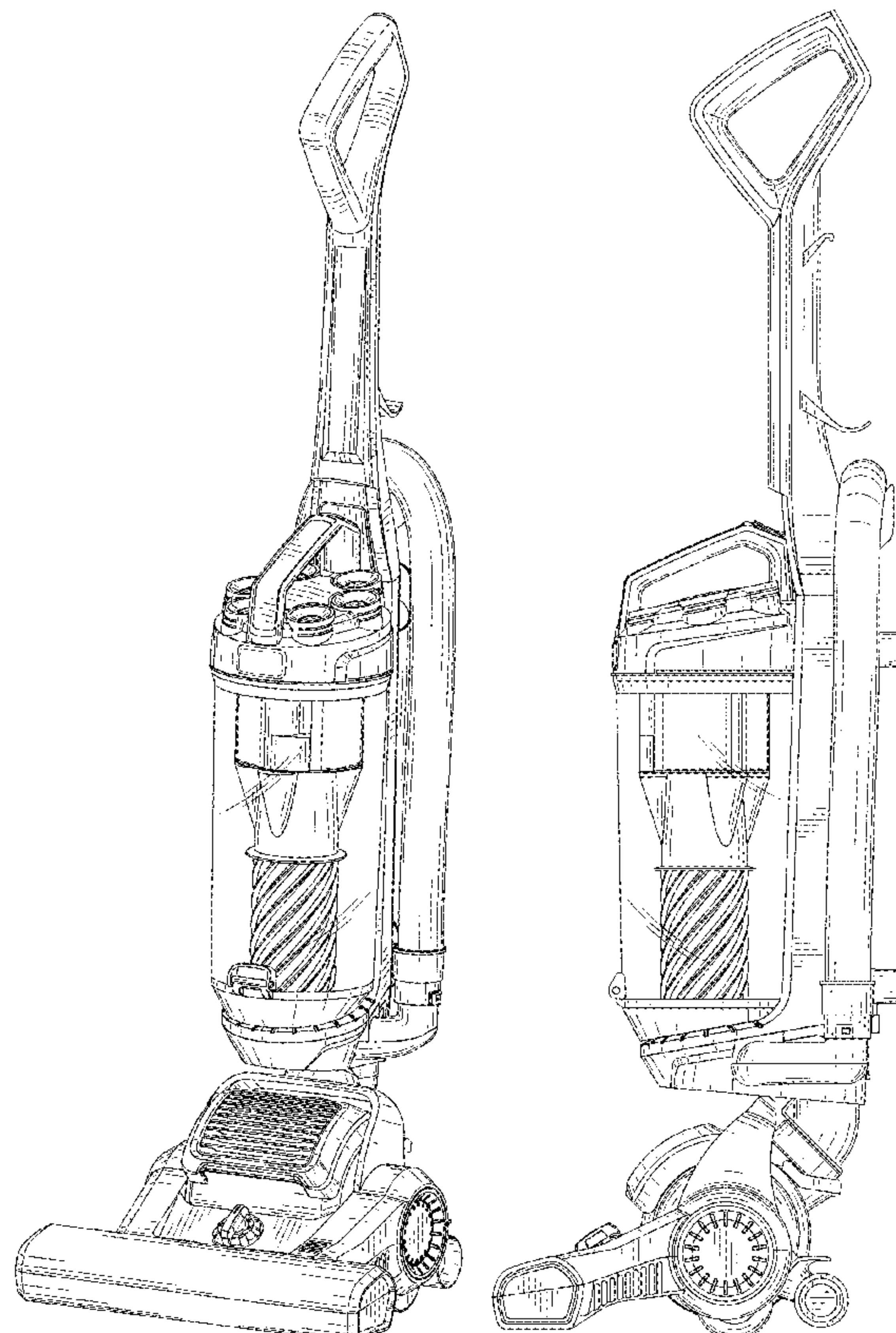
FIG. 4 is a left side view thereof;

FIG. 5 is a right side view thereof;

FIG. 6 is a top view thereof; and,

FIG. 7 is a bottom view thereof.

**1 Claim, 6 Drawing Sheets**



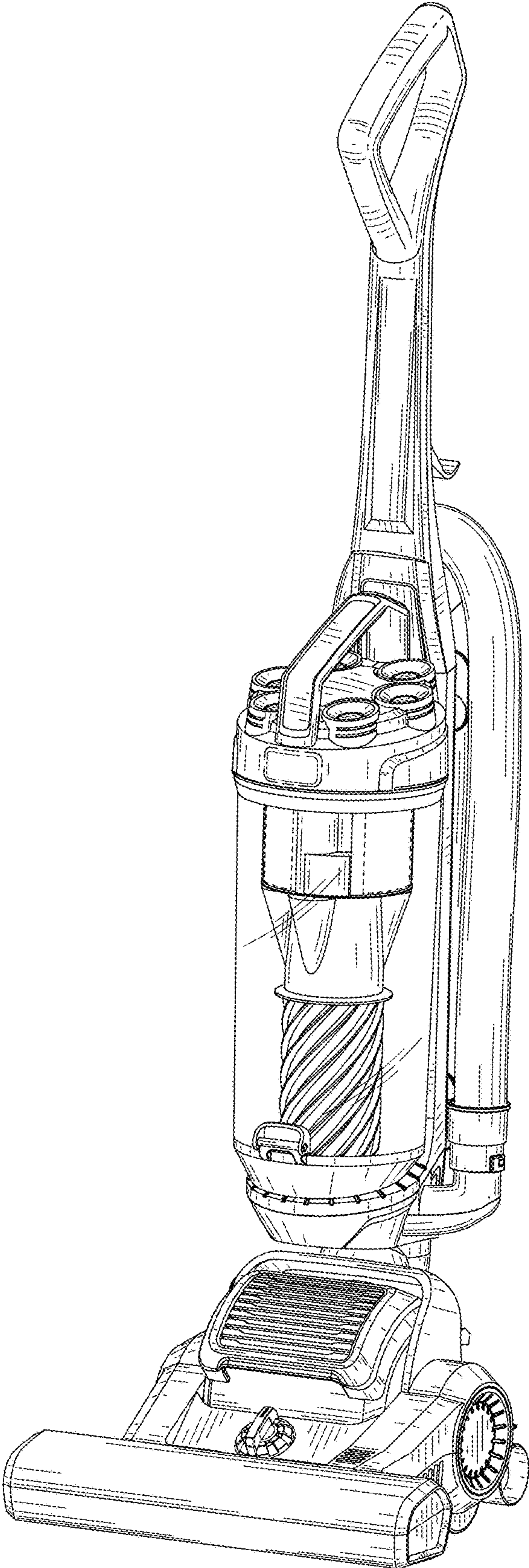


FIG. 1

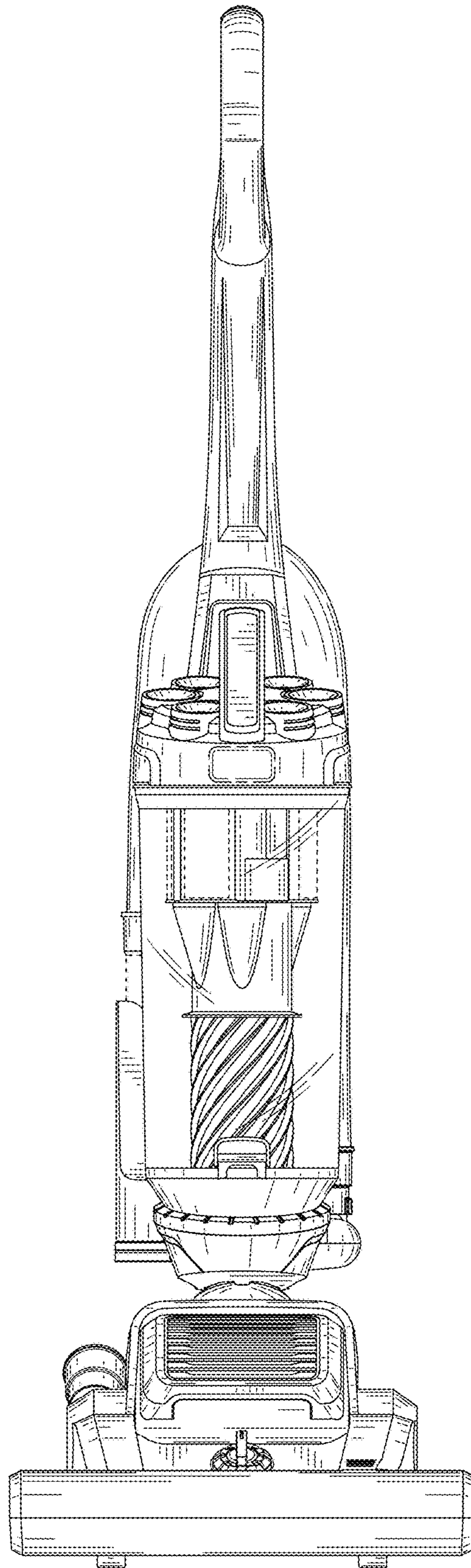


FIG. 2



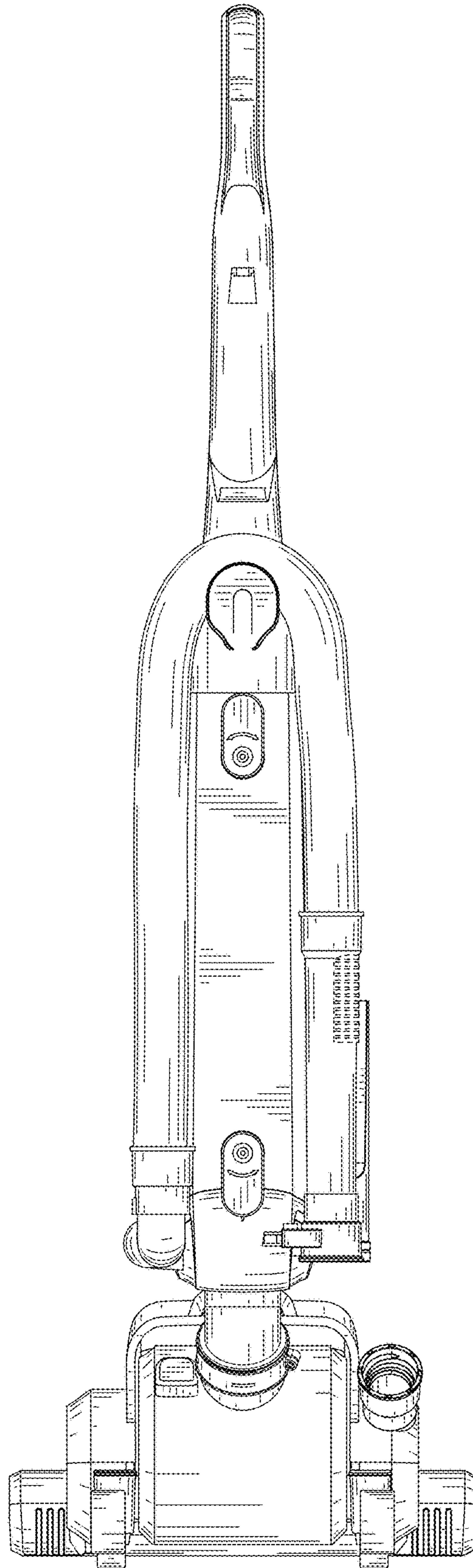


FIG. 3

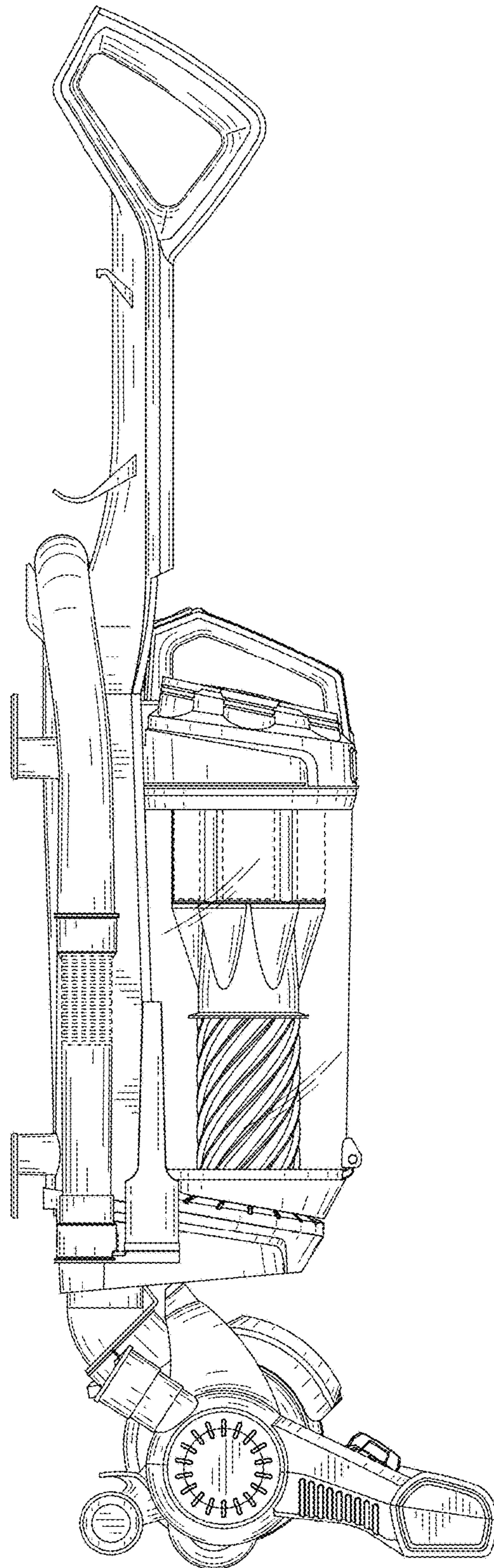


FIG. 4

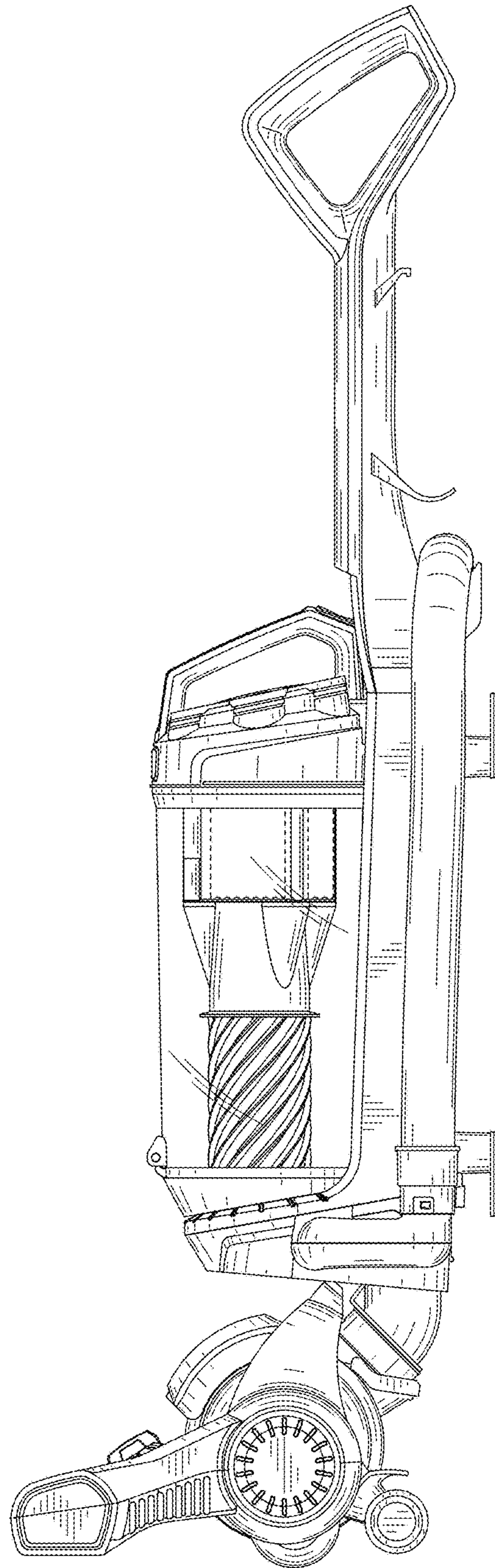


FIG. 5

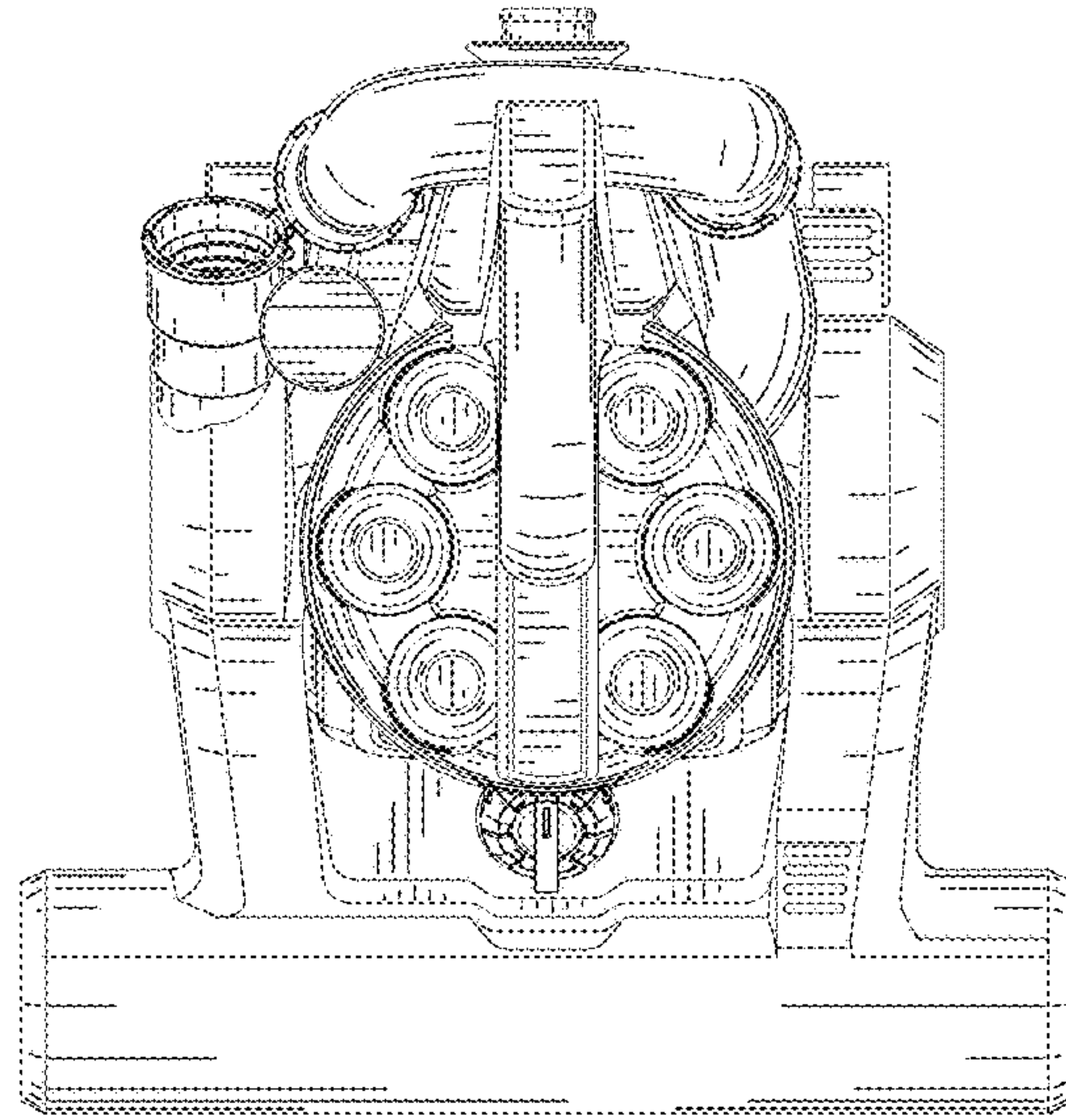


FIG. 6

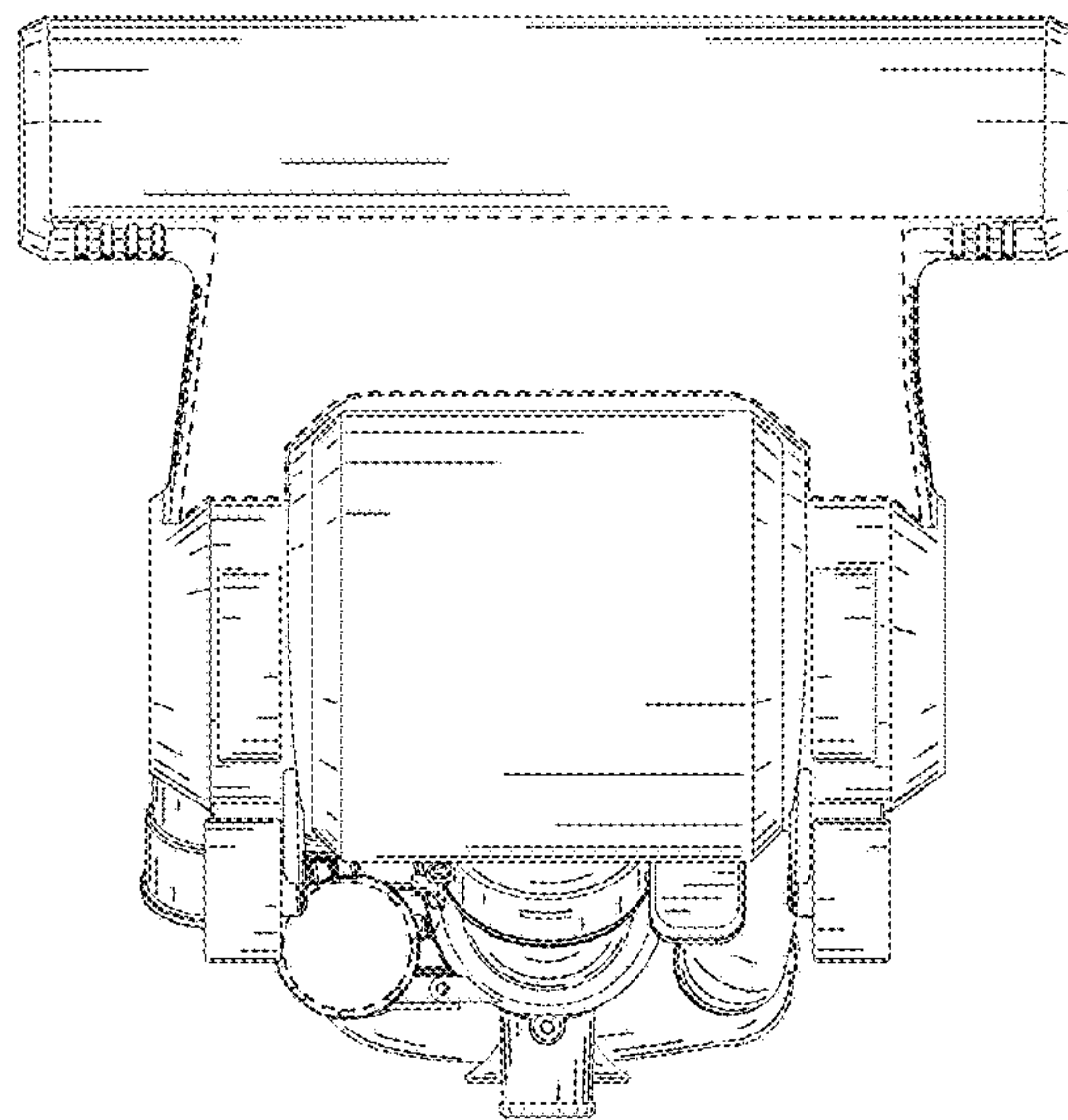


FIG. 7