



US00D794879S

(12) **United States Design Patent**
Kang et al.

(10) **Patent No.:** **US D794,879 S**
(45) **Date of Patent:** **** Aug. 15, 2017**

- (54) **WASHING MACHINE**
- (71) Applicant: **Samsung Electronics Co., Ltd.**,
Suwon-si (KR)
- (72) Inventors: **Yoonjong Kang**, Seoul (KR); **Yuna Park**, Seoul (KR)
- (73) Assignee: **Samsung Electronics Co., Ltd.**,
Suwon-si (KR)
- (**) Term: **15 Years**
- (21) Appl. No.: **29/552,077**
- (22) Filed: **Jan. 20, 2016**
- (30) **Foreign Application Priority Data**
Jul. 21, 2015 (KR) 30-2015-0036774
- (51) **LOC (10) Cl.** **15-05**
- (52) **U.S. Cl.**
USPC **D32/6**
- (58) **Field of Classification Search**
USPC D32/1, 5-6, 8, 25, 28, 29
CPC D06F 3/02; D06F 2204/065; D06F 25/00;
D06F 35/006; D06F 37/28; D06F 39/14;
D06F 58/203
See application file for complete search history.

D701,656 S *	3/2014	Choi	D32/6
D730,596 S *	5/2015	Kim	D32/6
D739,096 S *	9/2015	Qin	D32/6
D760,966 S *	7/2016	Lee	D32/6
D764,119 S *	8/2016	Cho	D32/6
D772,495 S *	11/2016	Son	D32/6

FOREIGN PATENT DOCUMENTS

EM	000459938-0007	2/2006
KR	30-2014-0063064	6/2015

* cited by examiner

Primary Examiner — Michael A. Pratt
Assistant Examiner — Michelle E Wilson
(74) *Attorney, Agent, or Firm* — NSIP Law

(57) **CLAIM**

We claim the ornamental design for a washing machine, as shown and described.

DESCRIPTION

FIG. 1 is a front perspective view of a washing machine showing our new design;
FIG. 2 is a front view thereof;
FIG. 3 is a rear view thereof;
FIG. 4 is a left-side view thereof;
FIG. 5 is a right-side view thereof;
FIG. 6 is a top view thereof;
FIG. 7 is a bottom view thereof;
FIG. 8 is an enlarged view of the encircled portion in FIG. 1; and,
FIG. 9 is an enlarged view of the encircled portion in FIG. 6.
The broken lines in the figures show portions of the washing machine which form no part of the claimed design.
The dash-dot-dot broken lines encircling portions of the claimed design that are illustrated in enlargements form no part of the claimed design.

1 Claim, 8 Drawing Sheets

- (56) **References Cited**
U.S. PATENT DOCUMENTS
D489,496 S 5/2004 Sneddon
D654,640 S * 2/2012 Song D32/6
8,286,364 B2 * 10/2012 Bae D06F 58/20
134/110
D694,965 S * 12/2013 Lee D32/6
8,607,471 B2 * 12/2013 Bae D06F 58/203
34/427
D697,680 S * 1/2014 Hwang D32/25
D699,907 S * 2/2014 Choi D32/28

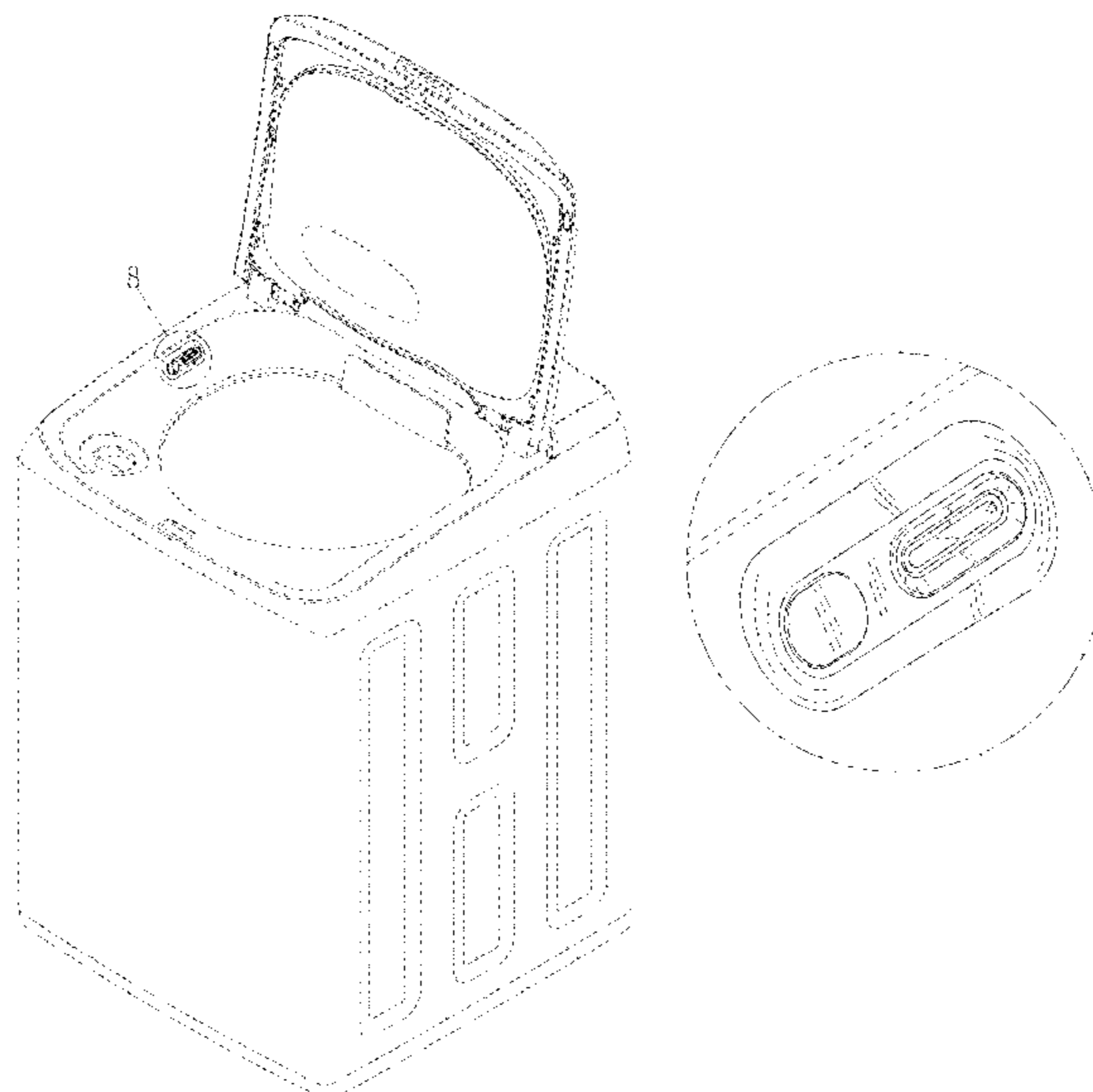


FIG. 1

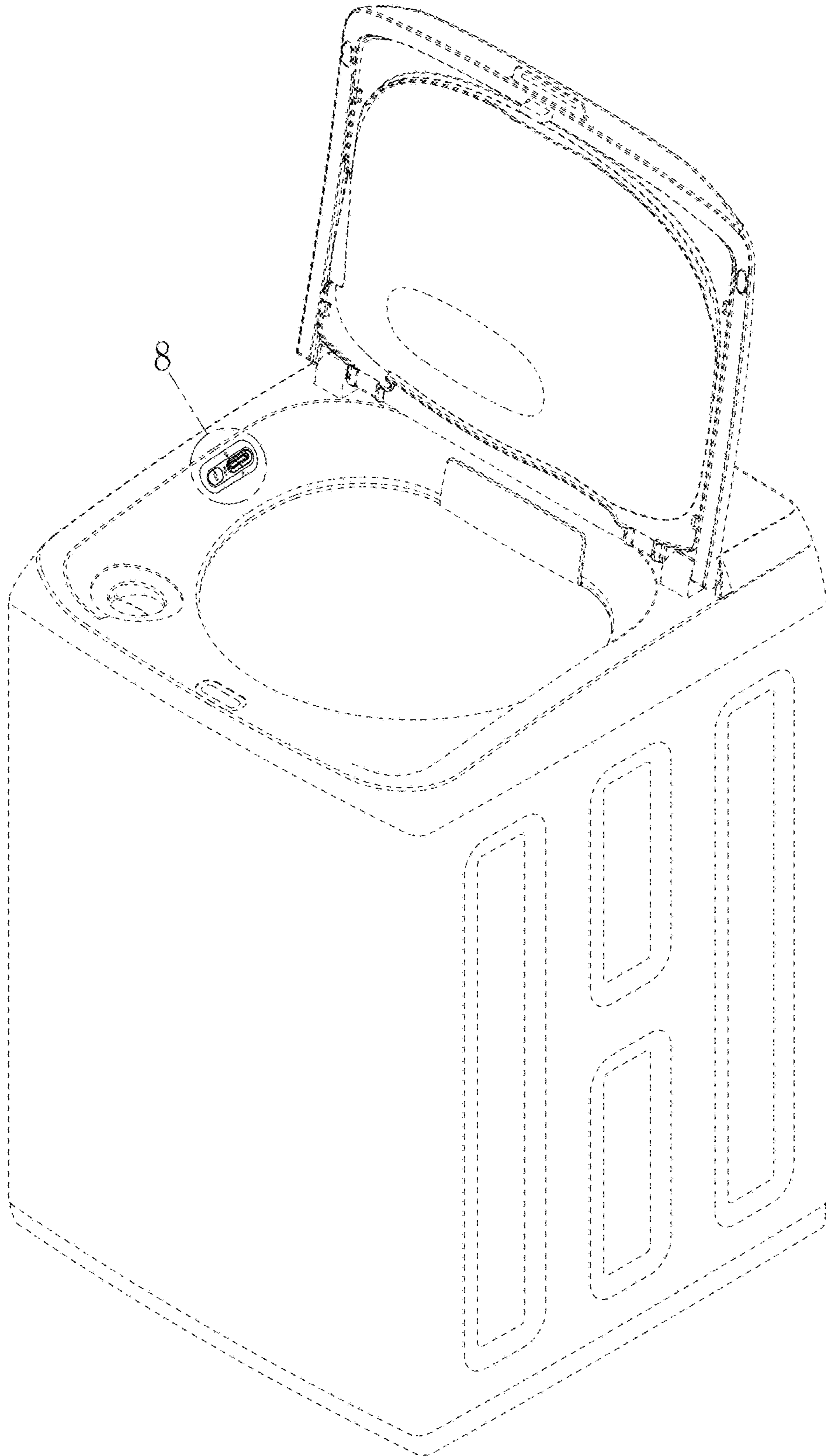


FIG. 2

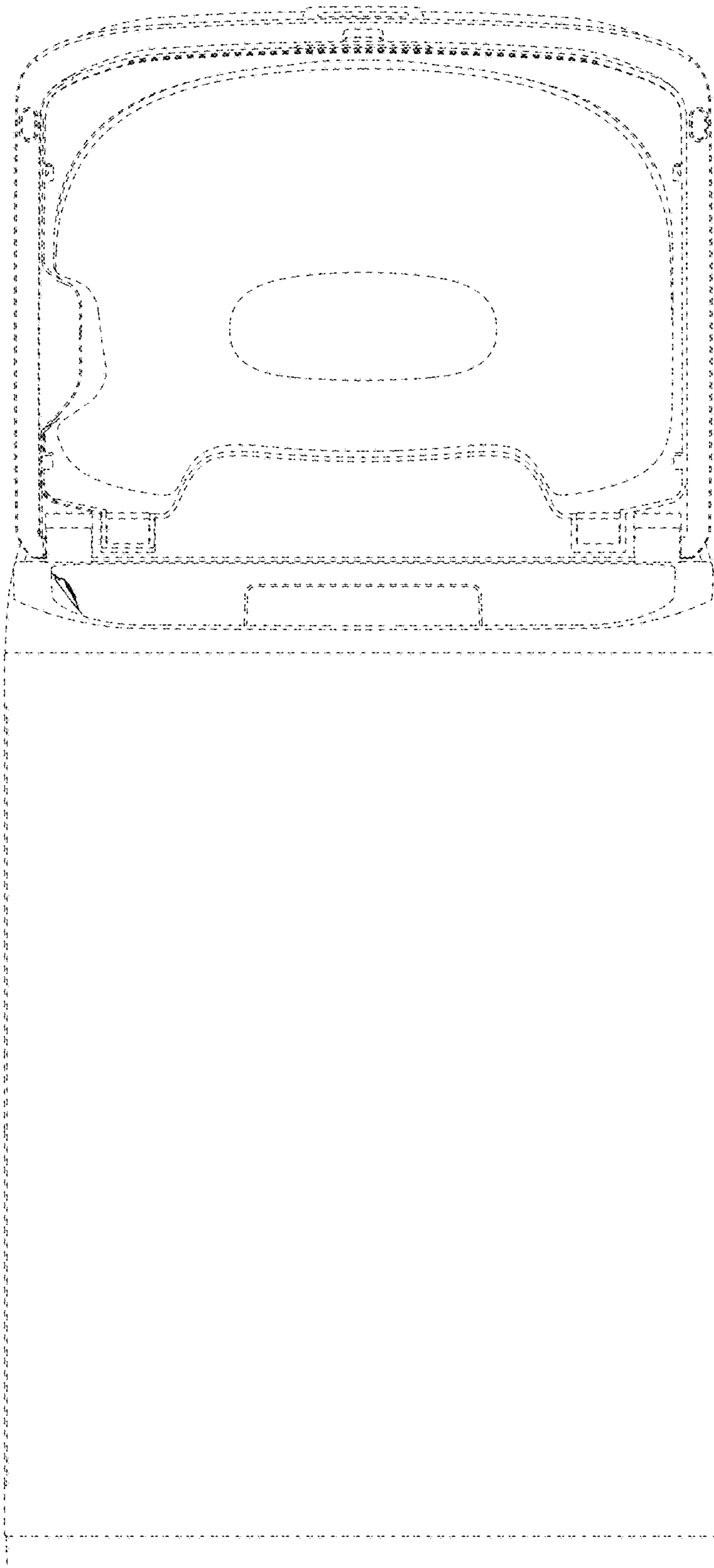


FIG. 3

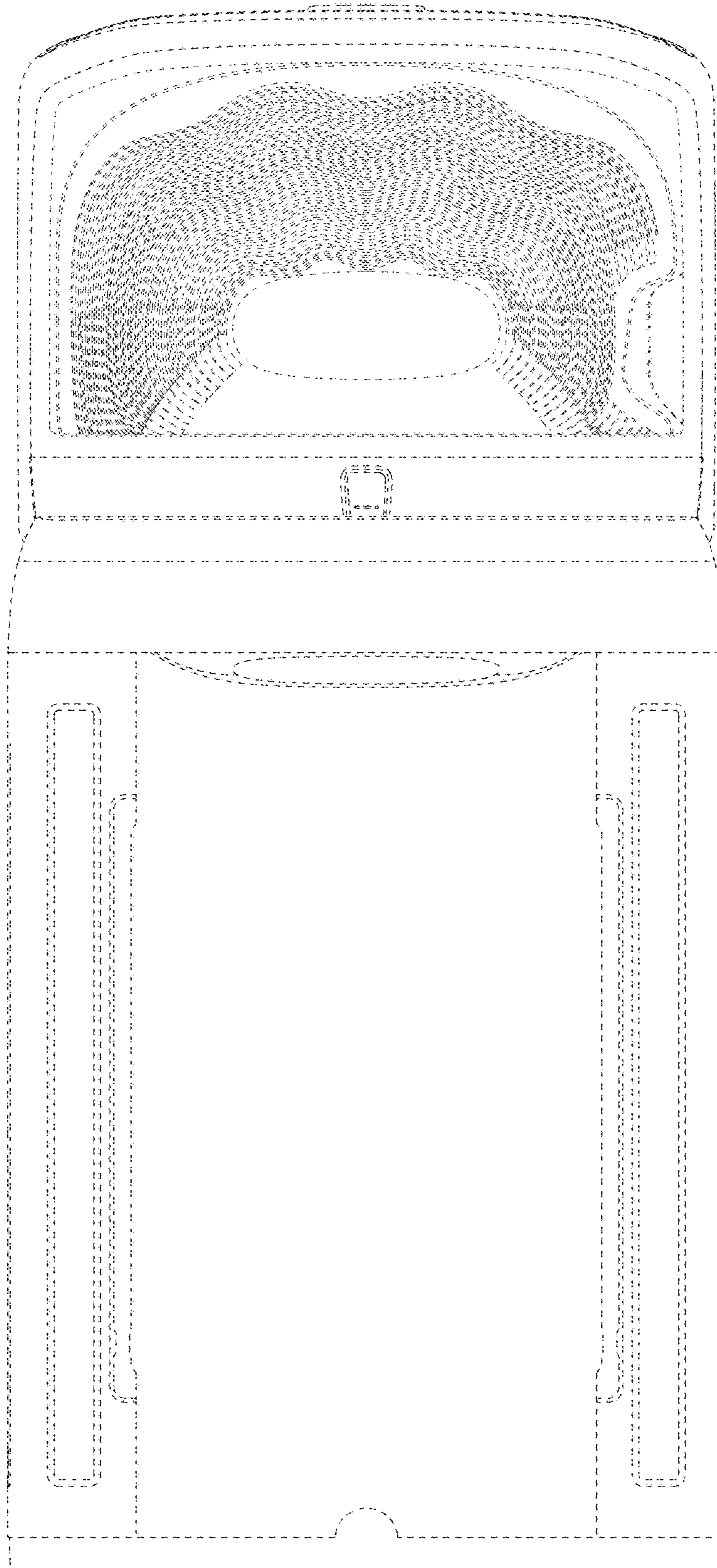


FIG. 4

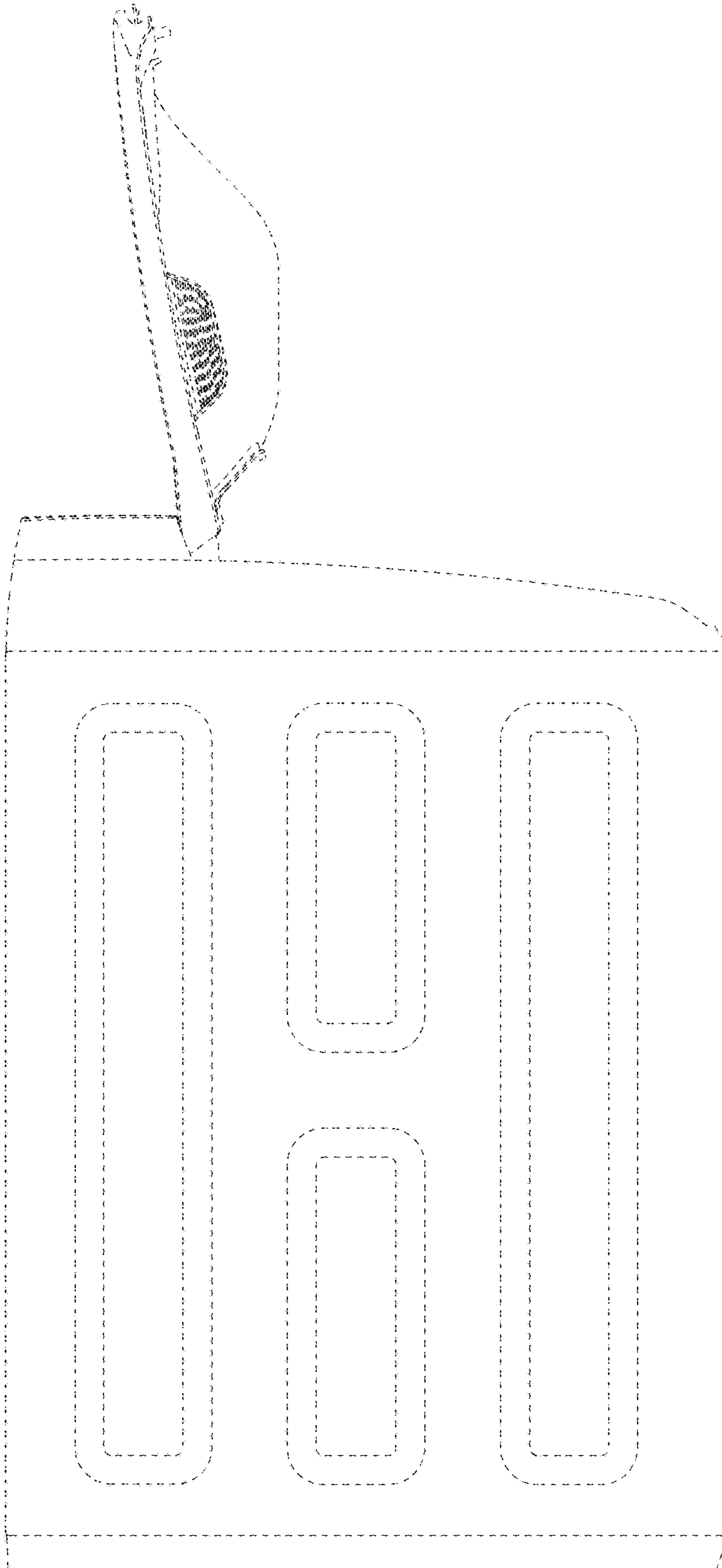


FIG. 5

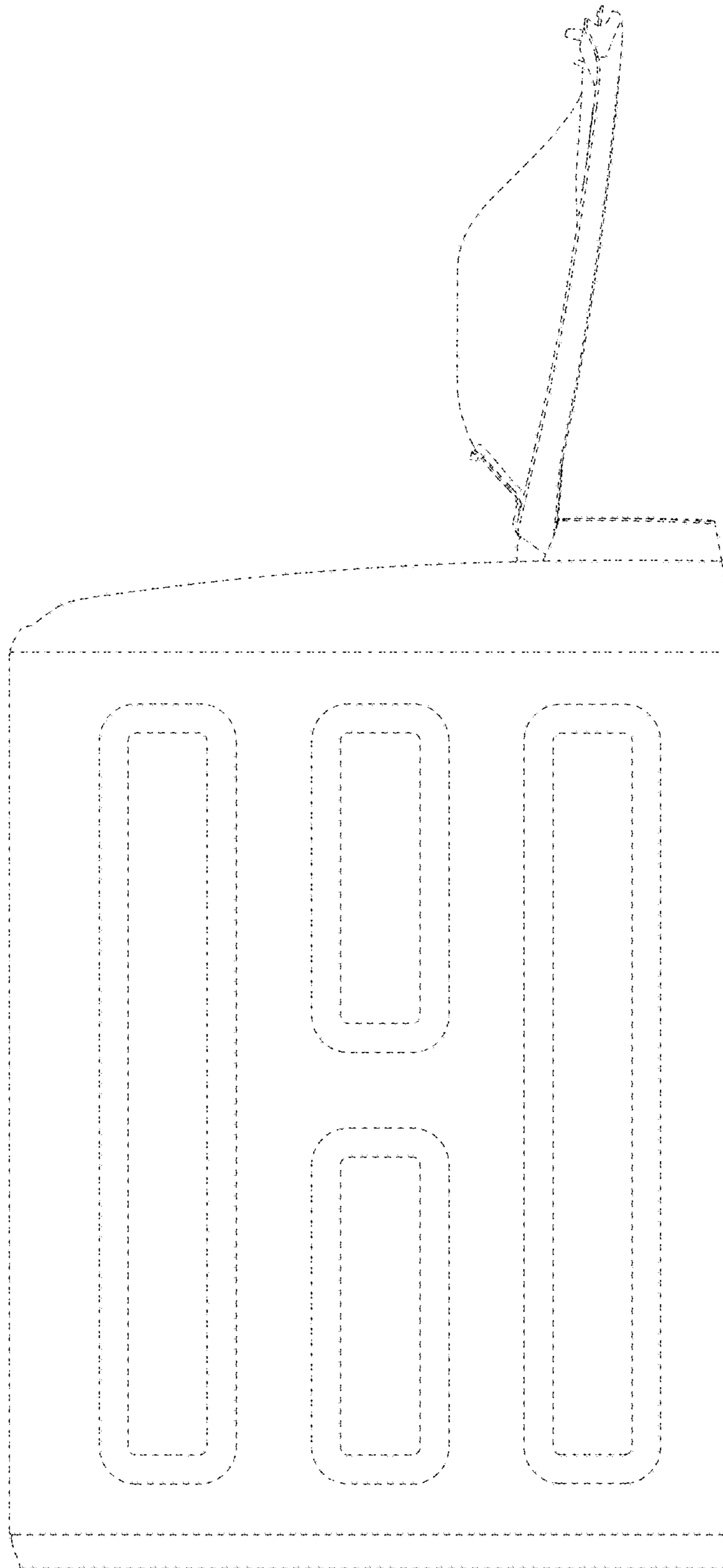


FIG. 6

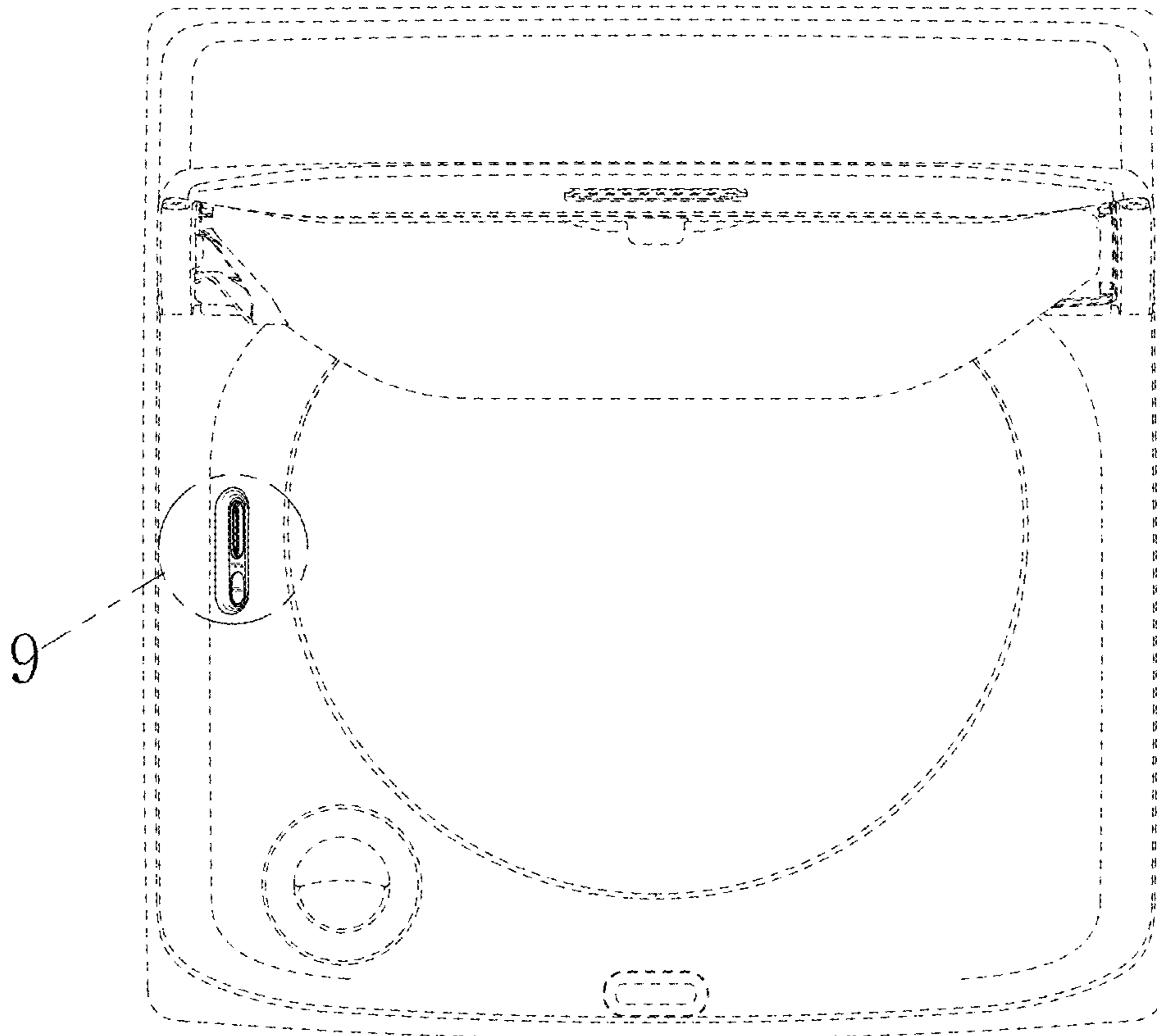


FIG. 7

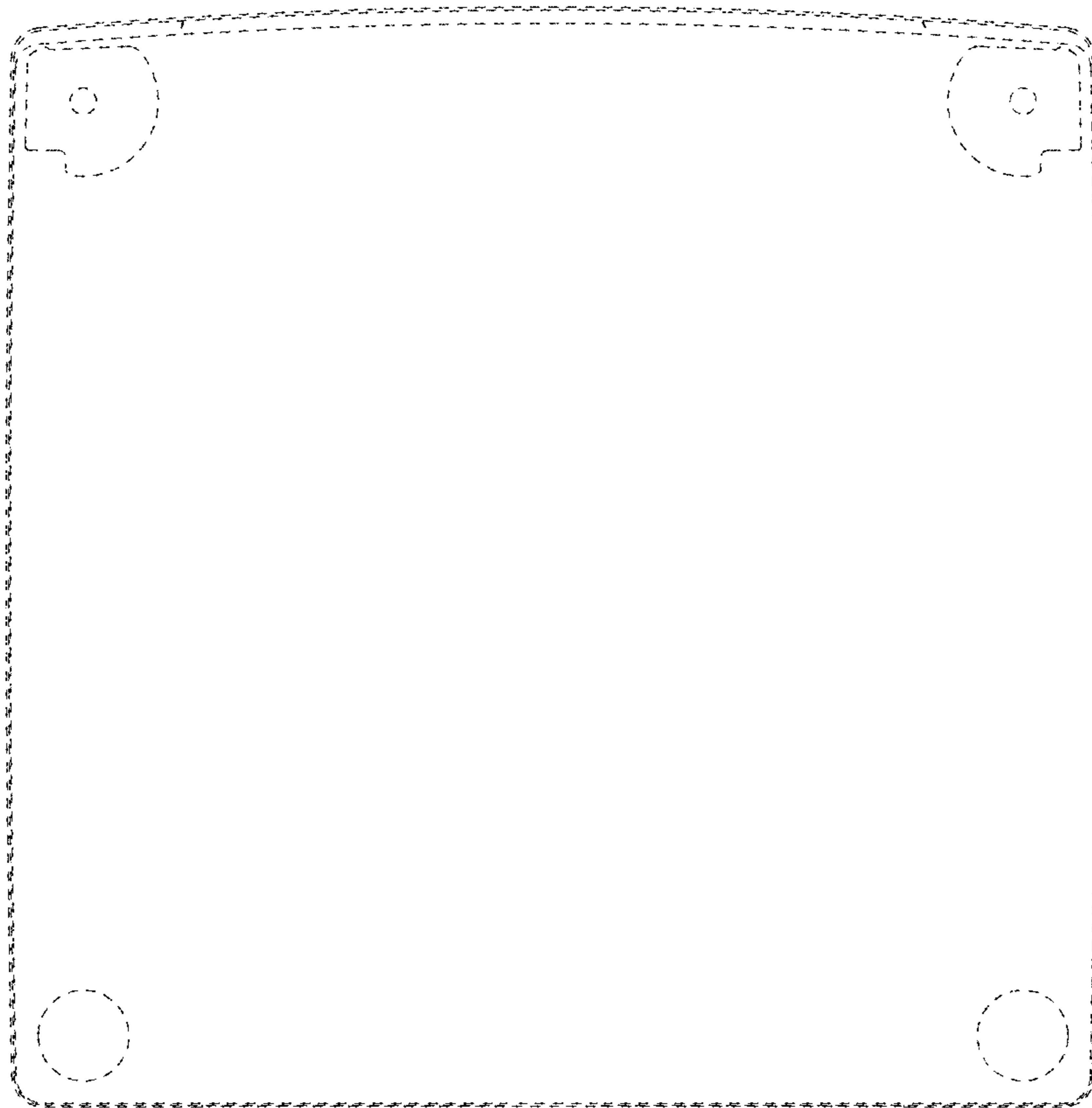


FIG. 8

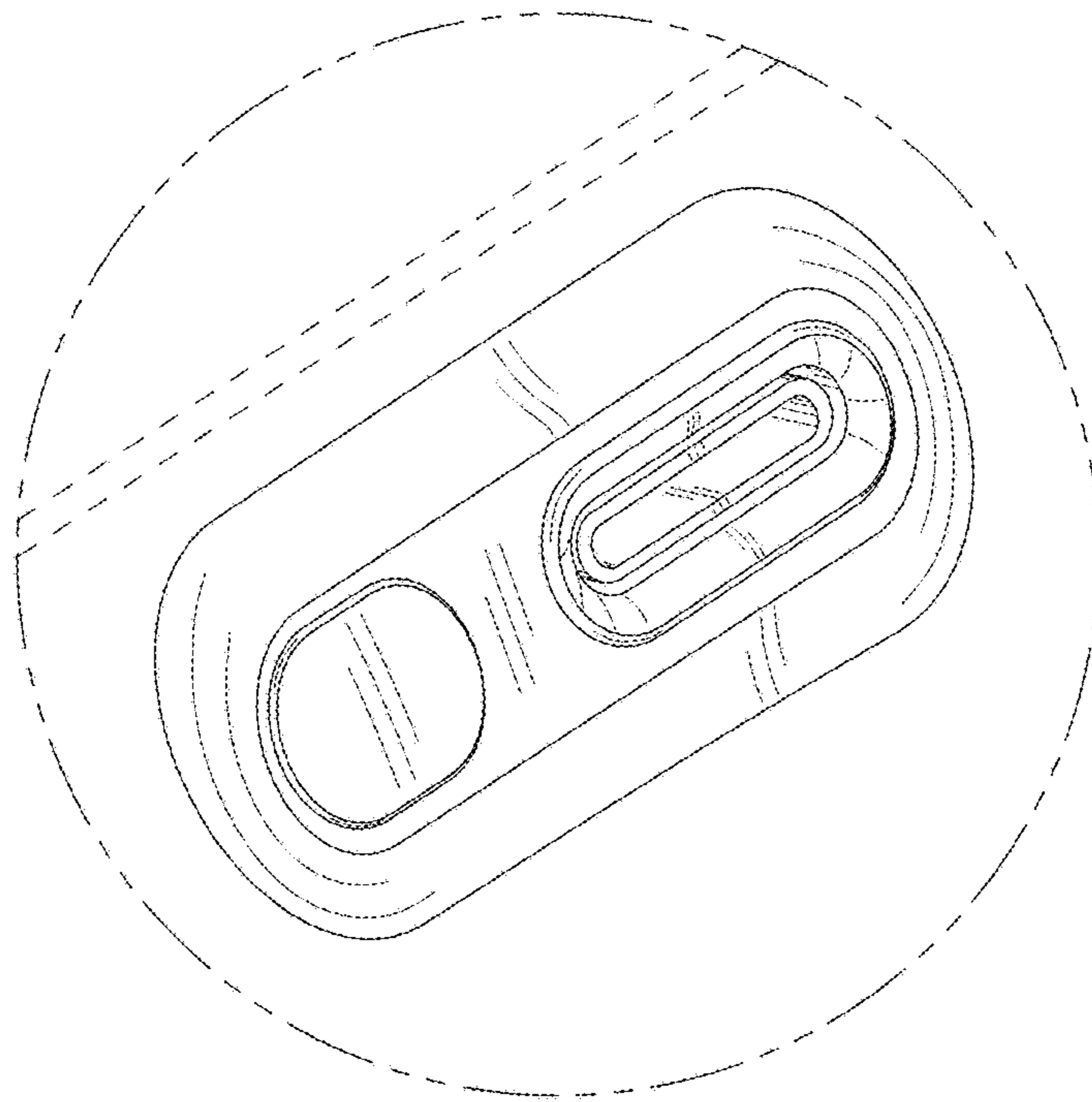


FIG. 9

