



US00D794878S

(12) **United States Design Patent** (10) **Patent No.:** **US D794,878 S**
Hussey et al. (45) **Date of Patent:** **** Aug. 15, 2017**

- (54) **AUTOMATED BALL-THROWING APPARATUS**
- (71) Applicant: **Lob-ster, Inc.**, North Hollywood, CA (US)
- (72) Inventors: **Lance Hussey**, Simi Valley, CA (US); **Shu Shuo Wu**, Westlake Village, CA (US); **Ravi Sawhney**, Malibu, CA (US); **Kurt Botsai**, Thousand Oaks, CA (US)
- (73) Assignee: **Lob-ster, Inc.**, North Hollywood, CA (US)

- | | | |
|----------------|---------|---------------------------------|
| 4,865,318 A | 9/1989 | Lehmann et al. |
| D312,288 S | 11/1990 | Jefferson |
| 4,995,374 A | 2/1991 | Black |
| D340,491 S | 10/1993 | Nass |
| 5,529,016 A | 6/1996 | Lonsway |
| D373,397 S | 9/1996 | DeBardelaben |
| D391,332 S | 2/1998 | Williams |
| 5,749,797 A | 5/1998 | Sunseri et al. |
| 5,911,214 A | 6/1999 | Andrews |
| 6,176,230 B1 | 1/2001 | Thompson |
| D456,866 S | 5/2002 | Turpault et al. |
| 6,817,351 B2 * | 11/2004 | Keller F41B 3/04
124/6 |
| 7,114,465 B1 | 10/2006 | Winter
(Continued) |

(**) Term: **15 Years**

FOREIGN PATENT DOCUMENTS

- (21) Appl. No.: **29/549,269**
- (22) Filed: **Dec. 21, 2015**

- | | | |
|----|-----------|---------|
| CN | 2045314 U | 10/1989 |
| CN | 2434029 Y | 6/2001 |
| CN | 2595418 Y | 12/2003 |

Primary Examiner — Cathy Anne MacCormac
 (74) *Attorney, Agent, or Firm* — Lerner, David, Littenberg, Krumholz & Mentlik, LLP

Related U.S. Application Data

- (62) Division of application No. 29/490,256, filed on May 8, 2014, now Pat. No. Des. 748,349.
- (51) **LOC (10) Cl.** **30-99**
- (52) **U.S. Cl.**
USPC **D30/160**
- (58) **Field of Classification Search**
USPC D30/160; D21/567, 720, 722
CPC A01K 15/02; A01K 15/025; A63B 65/12; A63B 69/40; A63B 69/406; F41B 3/03
See application file for complete search history.

(57) **CLAIM**

The ornamental design for an automated ball-throwing apparatus, as shown and described.

DESCRIPTION

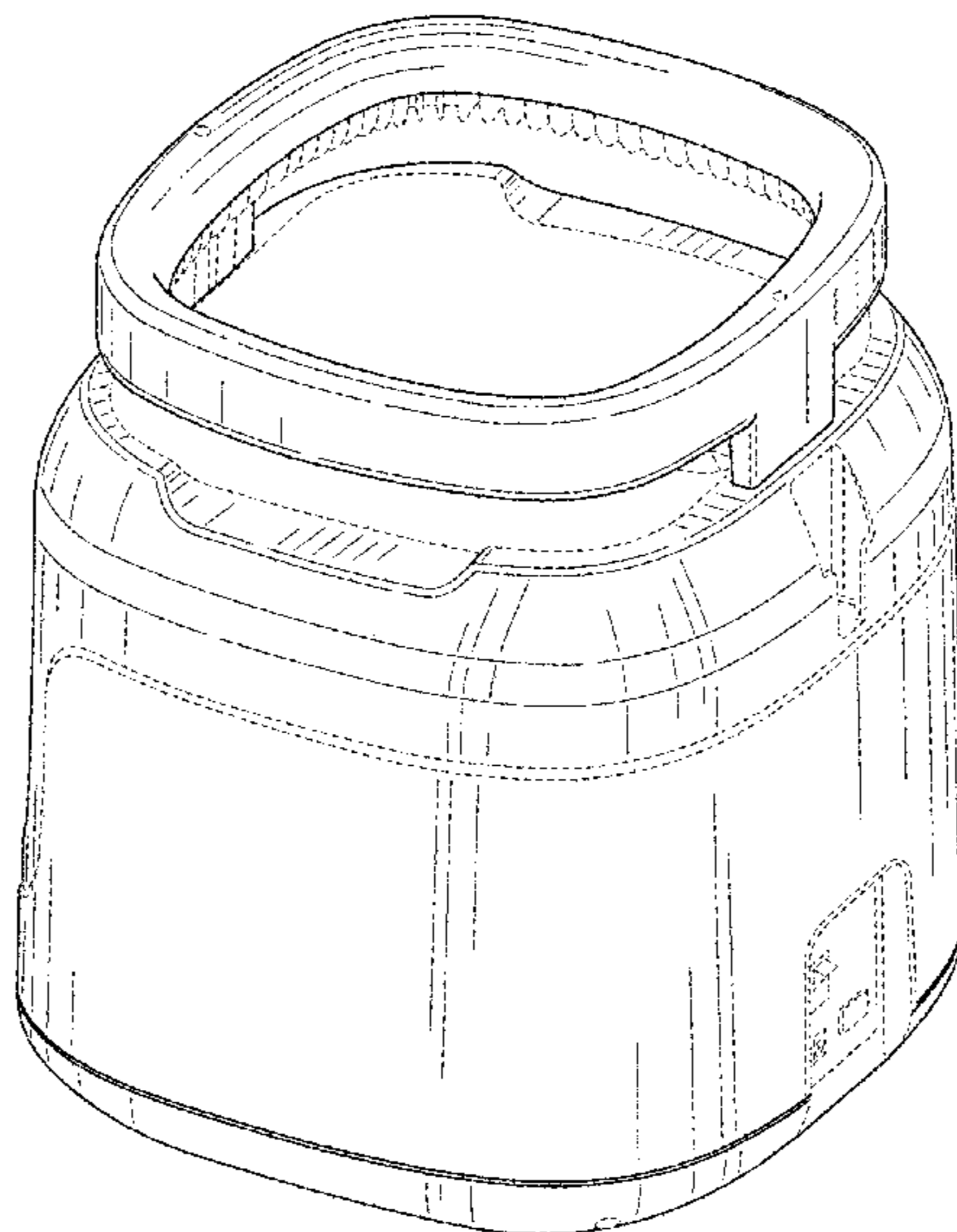
FIG. 1 is a perspective view of an automated ball-throwing apparatus according to my new design;
 FIG. 2 is a right side view thereof;
 FIG. 3 is a left side view thereof;
 FIG. 4 is a back view thereof;
 FIG. 5 is a front view thereof;
 FIG. 6 is a top plan view thereof; and,
 FIG. 7 is a bottom plan view thereof.
 The broken lines shown in the drawings depict environmental subject matter and form no part of the claimed design.

(56) **References Cited**

U.S. PATENT DOCUMENTS

- | | | | |
|--------------|---------|-------------|---------|
| 3,611,996 A | 10/1971 | Wegner | |
| D249,813 S * | 10/1978 | Young | D21/720 |
| 4,237,851 A | 12/1980 | Haller | |
| 4,267,799 A | 5/1981 | Bacon | |
| D294,411 S | 2/1988 | Merriman | |

1 Claim, 7 Drawing Sheets



(56)

References Cited

U.S. PATENT DOCUMENTS

7,263,953 B2 * 9/2007 Sundararajan A01K 5/0275
119/496
7,270,080 B1 9/2007 Kane
D567,316 S 4/2008 Sabin et al.
D641,437 S 7/2011 Nugent
8,151,782 B2 4/2012 Huang
D719,706 S * 12/2014 Hamill D30/160
8,944,006 B2 * 2/2015 Anderson A01K 5/01
119/51.01
8,960,176 B2 2/2015 Baumel
9,010,309 B2 4/2015 Lewis et al.
9,320,960 B1 * 4/2016 Ward A01K 15/02
9,345,946 B2 * 5/2016 Hamill A01K 15/025
2006/0213453 A1 * 9/2006 Conrady A01K 15/025
119/707
2013/0228138 A1 9/2013 Hamill et al.
2015/0321059 A1 * 11/2015 Hussey A63B 69/40
119/707

* cited by examiner

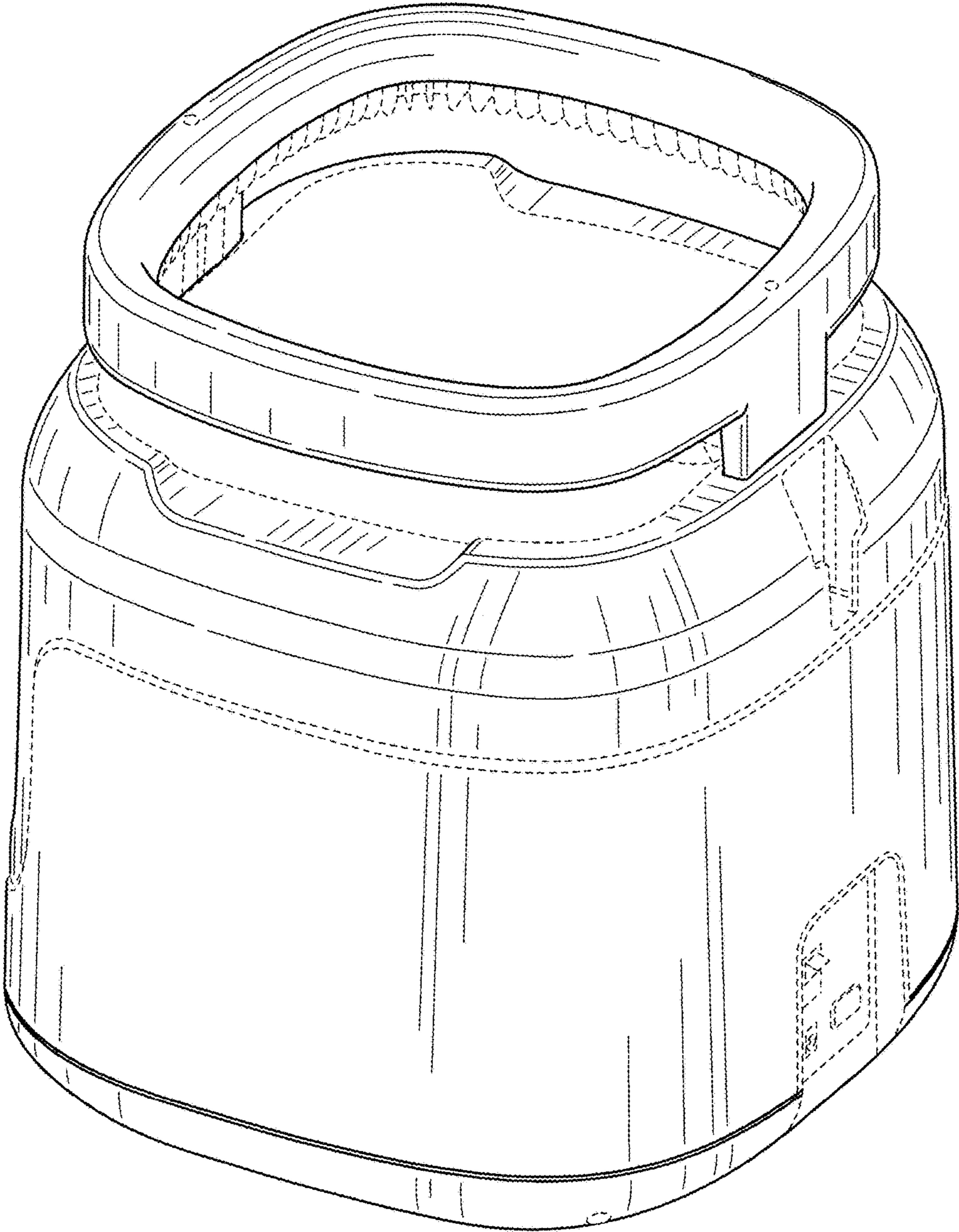


FIG. 1

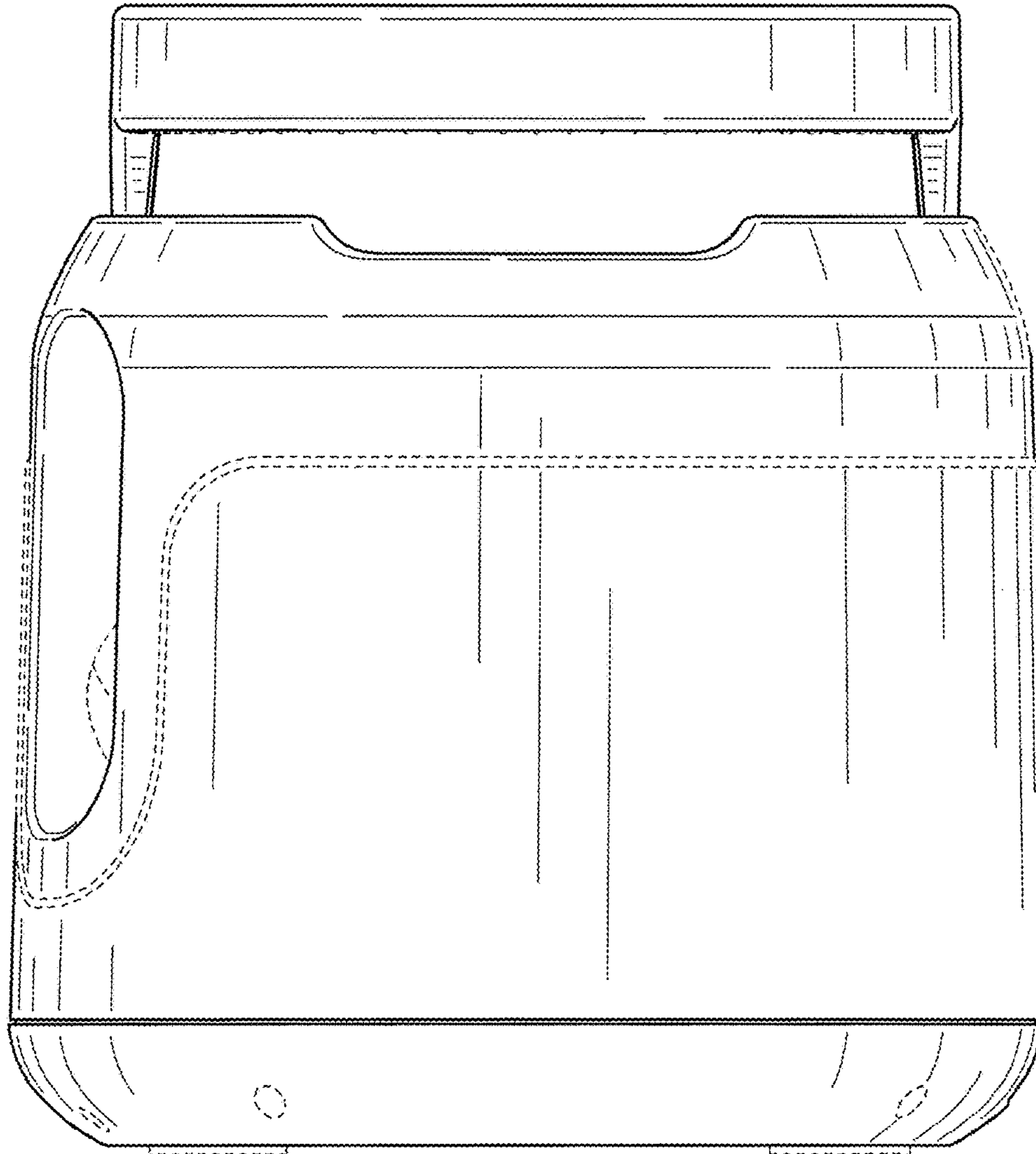


FIG. 2

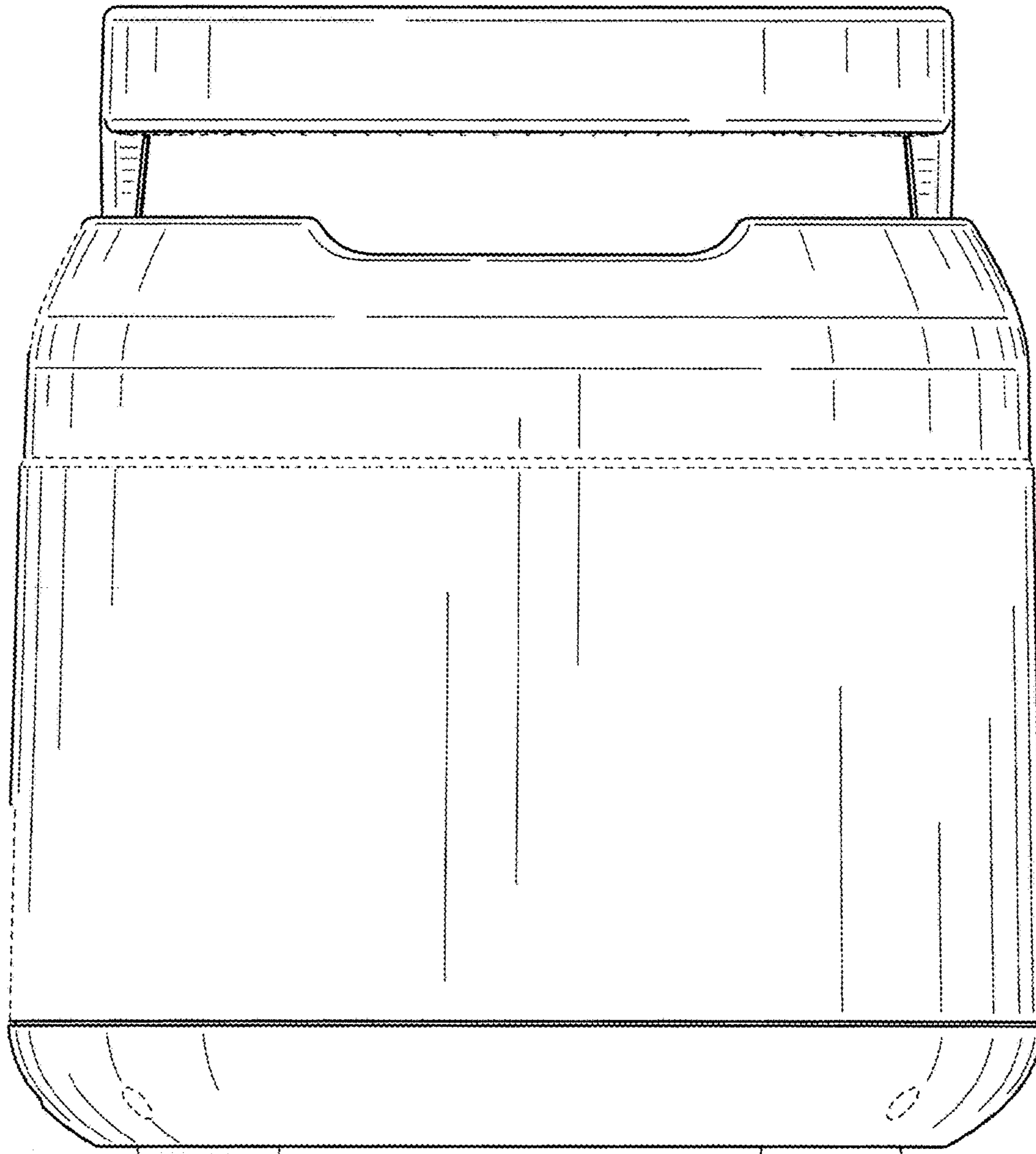


FIG. 3

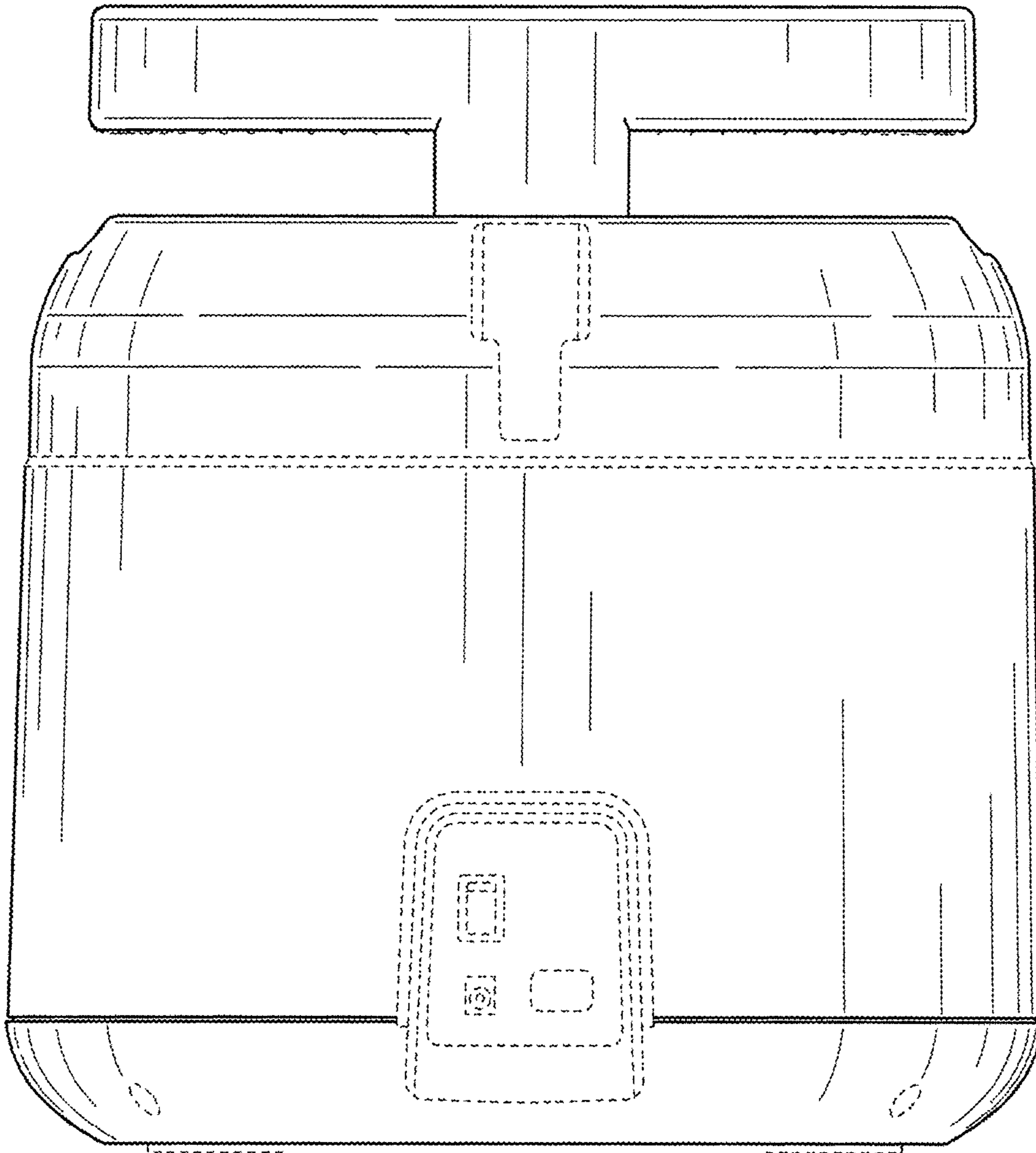


FIG. 4

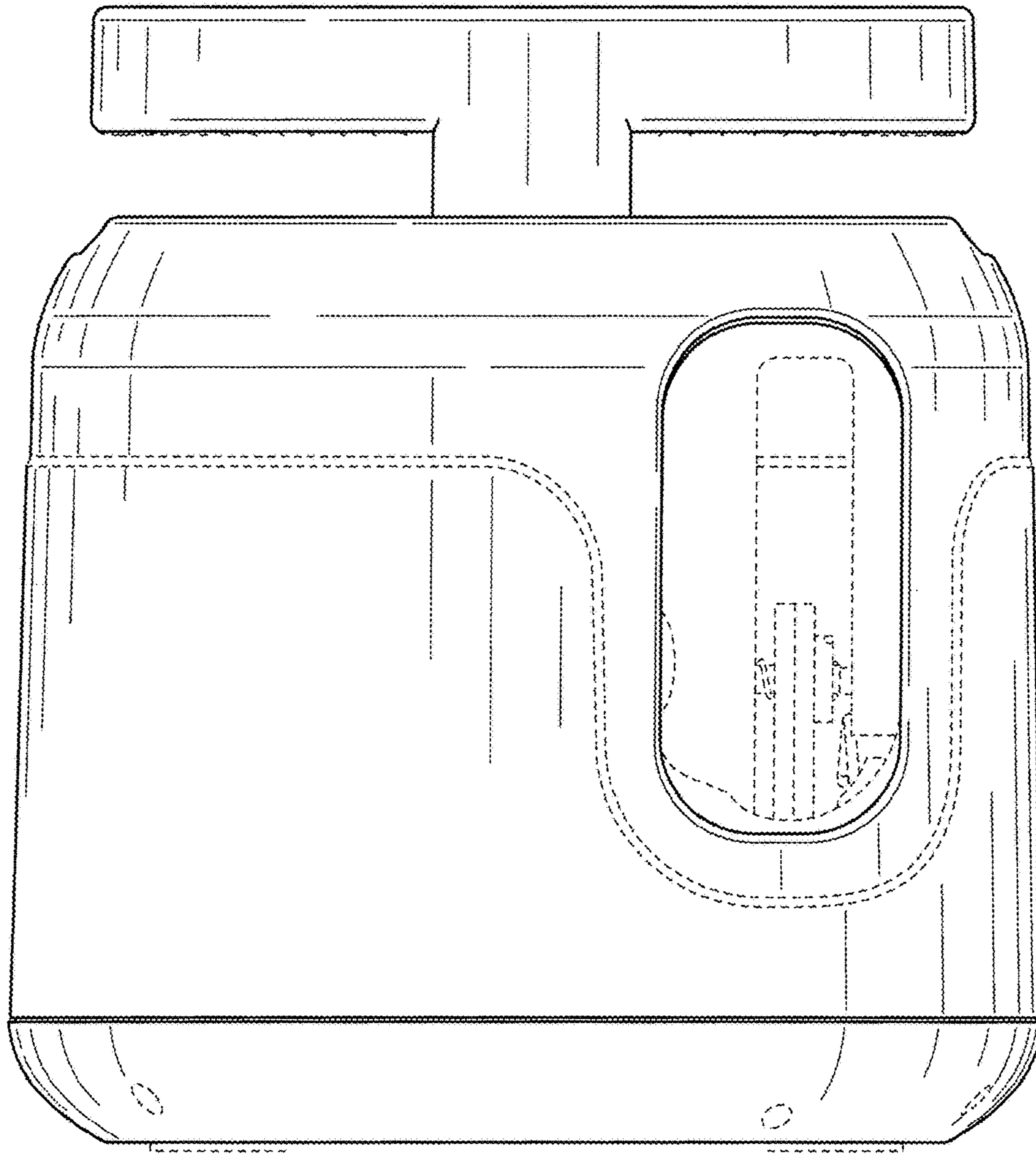


FIG. 5

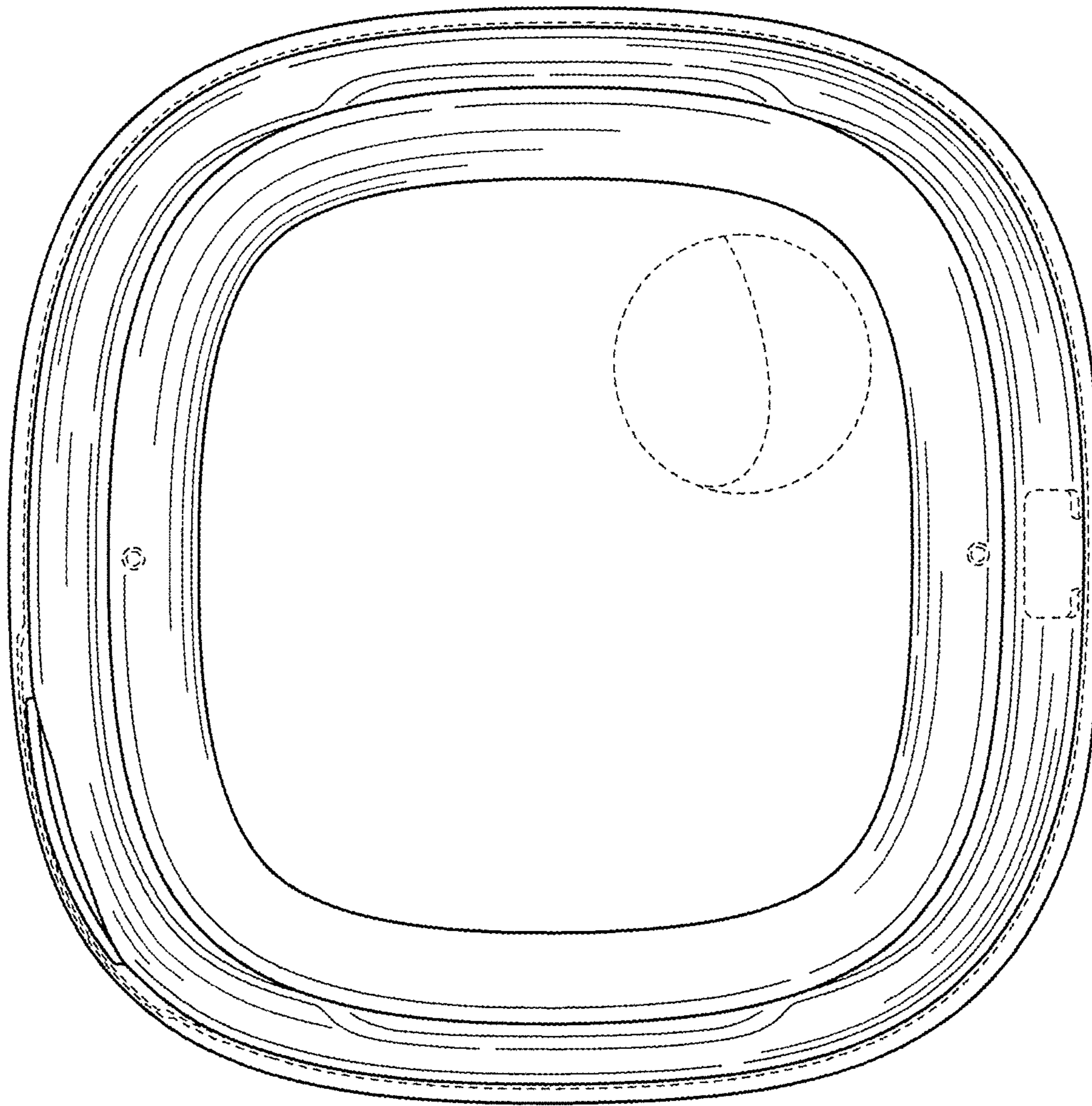


FIG. 6

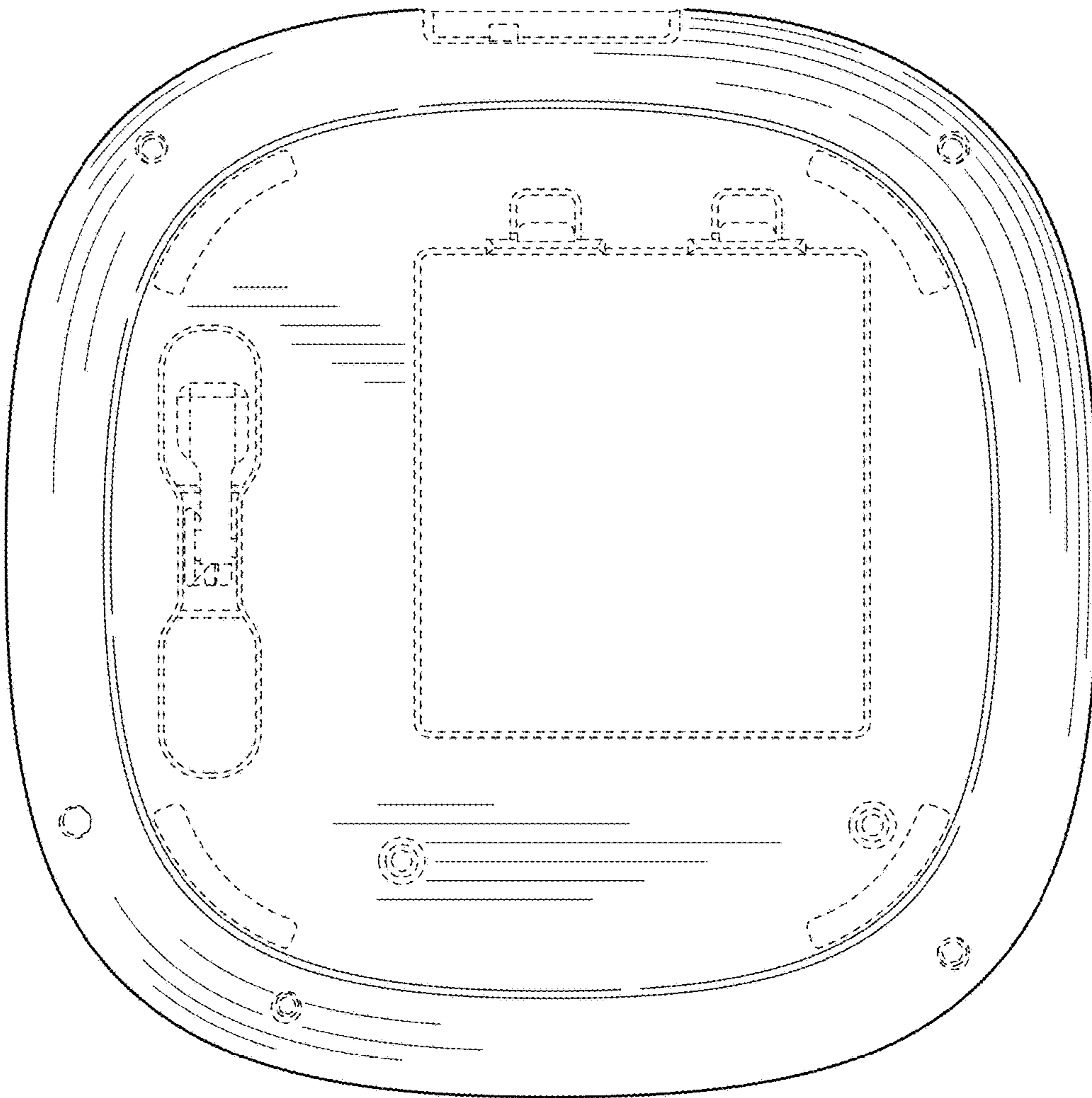


FIG. 7