

US00D794870S

(12) **United States Design Patent**
Hsu

(10) **Patent No.:** **US D794,870 S**

(45) **Date of Patent:** **** Aug. 15, 2017**

(54) **HAIR CLIP**

(71) Applicant: **Shih-Ling Hsu**, Tainan (TW)

(72) Inventor: **Shih-Ling Hsu**, Tainan (TW)

(**) Term: **15 Years**

(21) Appl. No.: **29/530,295**

(22) Filed: **Jun. 15, 2015**

(51) **LOC (10) Cl.** **28-03**

(52) **U.S. Cl.**
USPC **D28/40**

(58) **Field of Classification Search**
USPC D28/39-43, 31-34; 132/126, 128-131,
132/144, 145, 146, 148, 275-284
CPC ... A45D 8/20; A45D 8/22; A45D 8/00; A45D
8/24; A45D 8/34
See application file for complete search history.

(56) **References Cited**

U.S. PATENT DOCUMENTS

D262,063 S *	11/1981	Springer	D28/40
D391,020 S *	2/1998	Tsai	D28/40
D392,415 S *	3/1998	Liao	D28/40
D428,202 S *	7/2000	Tsai	D28/40
D454,657 S *	3/2002	Lau	D28/40
D480,509 S *	10/2003	Yasuda	D28/40

D540,982 S *	4/2007	Vergona	D28/40
D566,895 S *	4/2008	Vergona	D28/40
D592,803 S *	5/2009	Tsai	D28/39
D626,690 S *	11/2010	Hsu	D28/42
D635,296 S *	3/2011	Hsu	D28/39
D641,103 S *	7/2011	Tsai	D28/40
D736,465 S *	8/2015	Carey	D28/40

* cited by examiner

Primary Examiner — Susan Bennett Hattan

Assistant Examiner — Rebecca Tsehaye

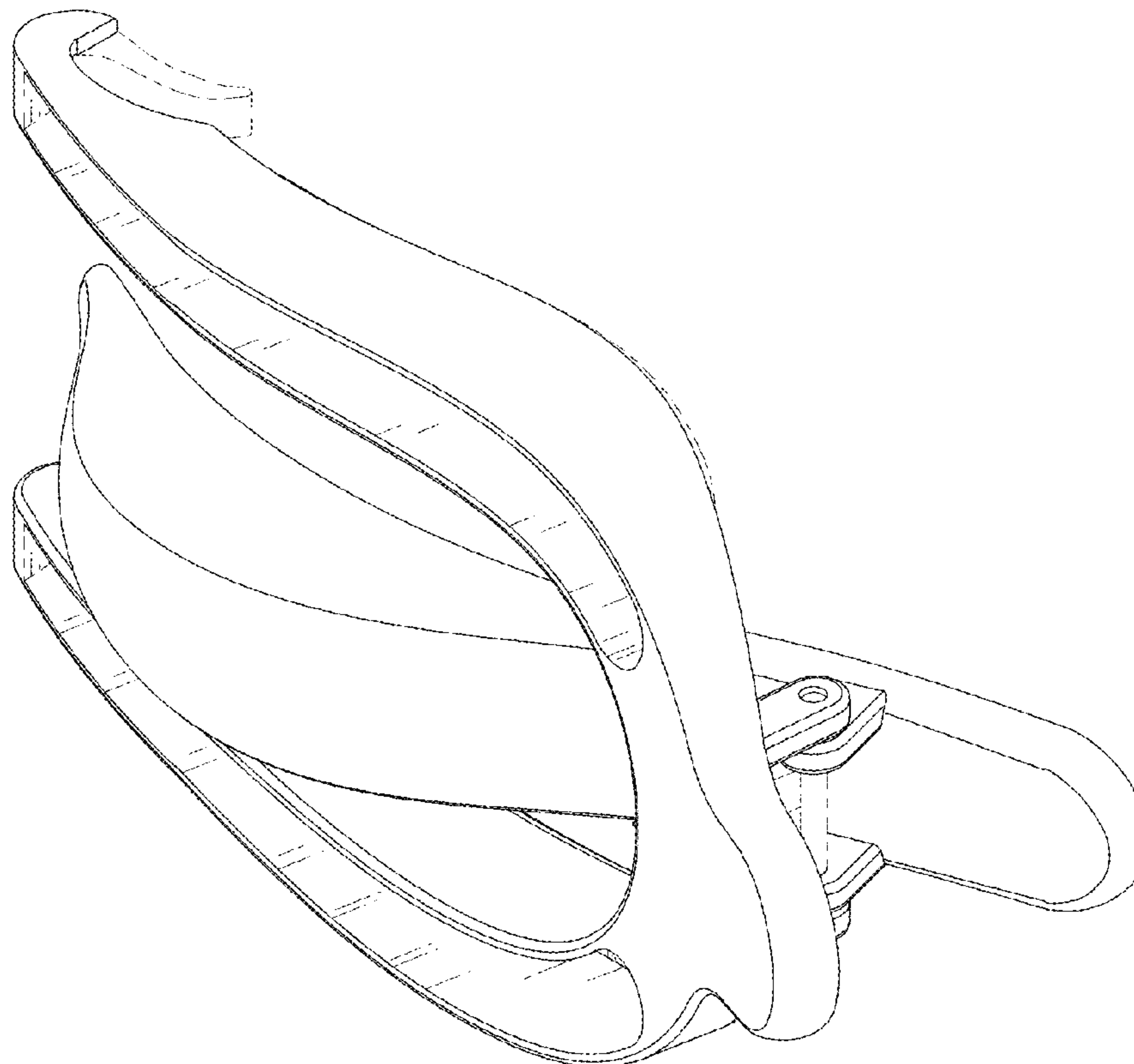
(57) **CLAIM**

The ornamental design for a hair clip, as shown and described.

DESCRIPTION

FIG. 1 is a perspective view of a hair clip showing my new design thereof;
FIG. 2 is a front elevational view thereof;
FIG. 3 is a rear elevational view thereof;
FIG. 4 is a left side elevational view thereof;
FIG. 5 is a right side elevational view thereof;
FIG. 6 is a top plan view thereof; and,
FIG. 7 is a bottom plan view thereof.
The broken lines in FIGS. 1, 2, 3, 4, 5, 6, and 7 depict parts of the hair clip that form no part of the claimed design.

1 Claim, 7 Drawing Sheets



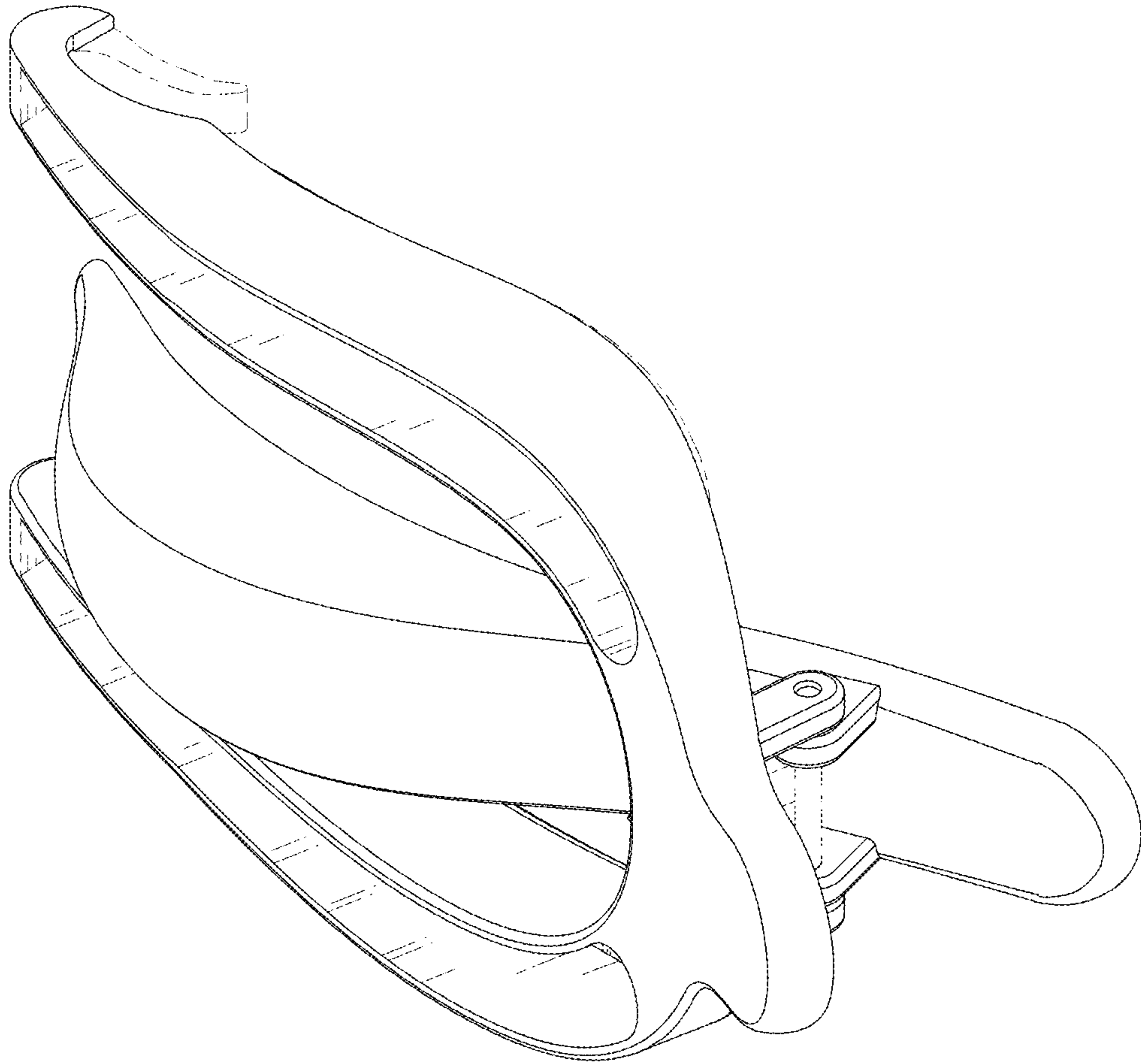


FIG. 1

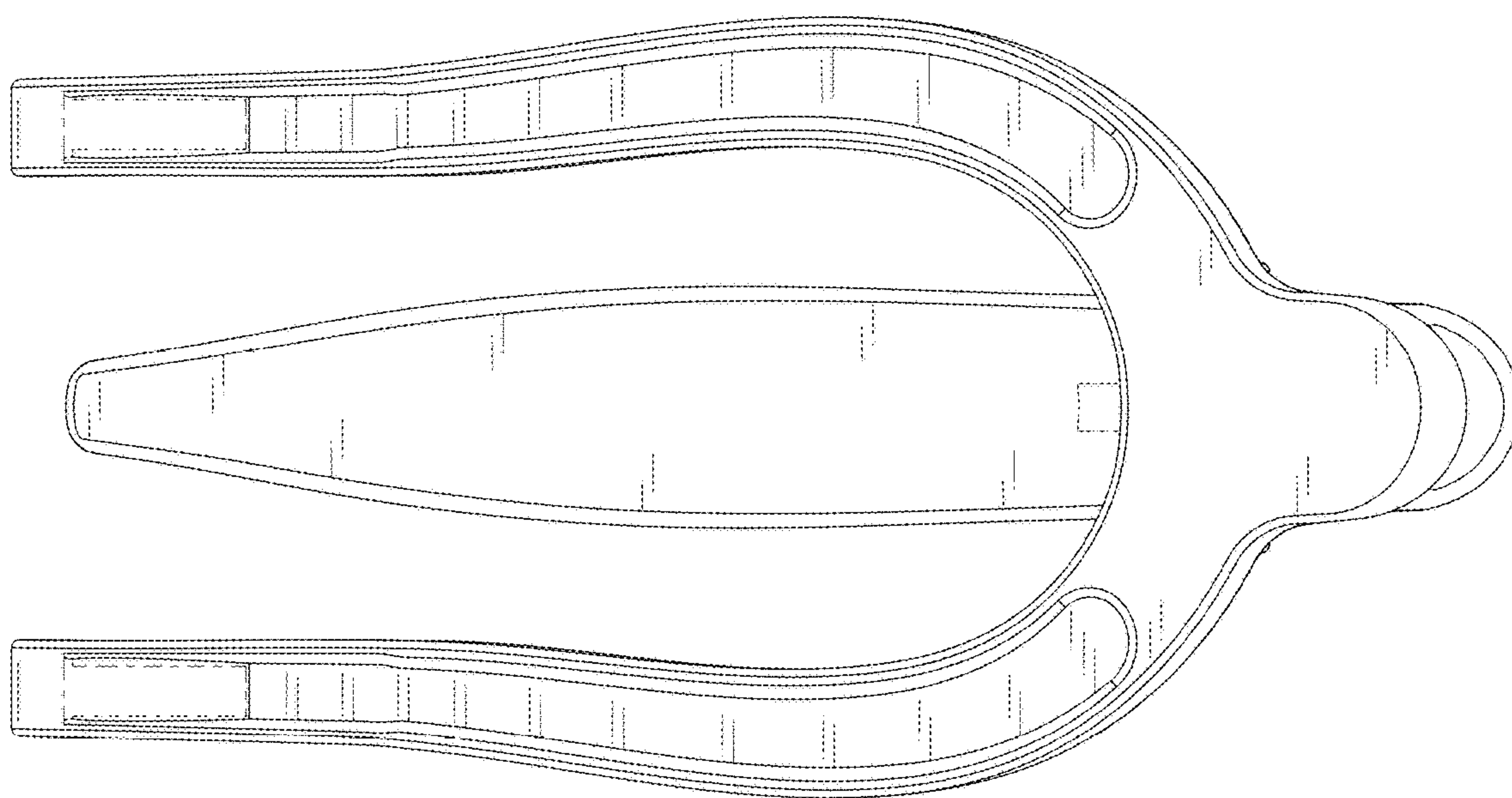


FIG. 2

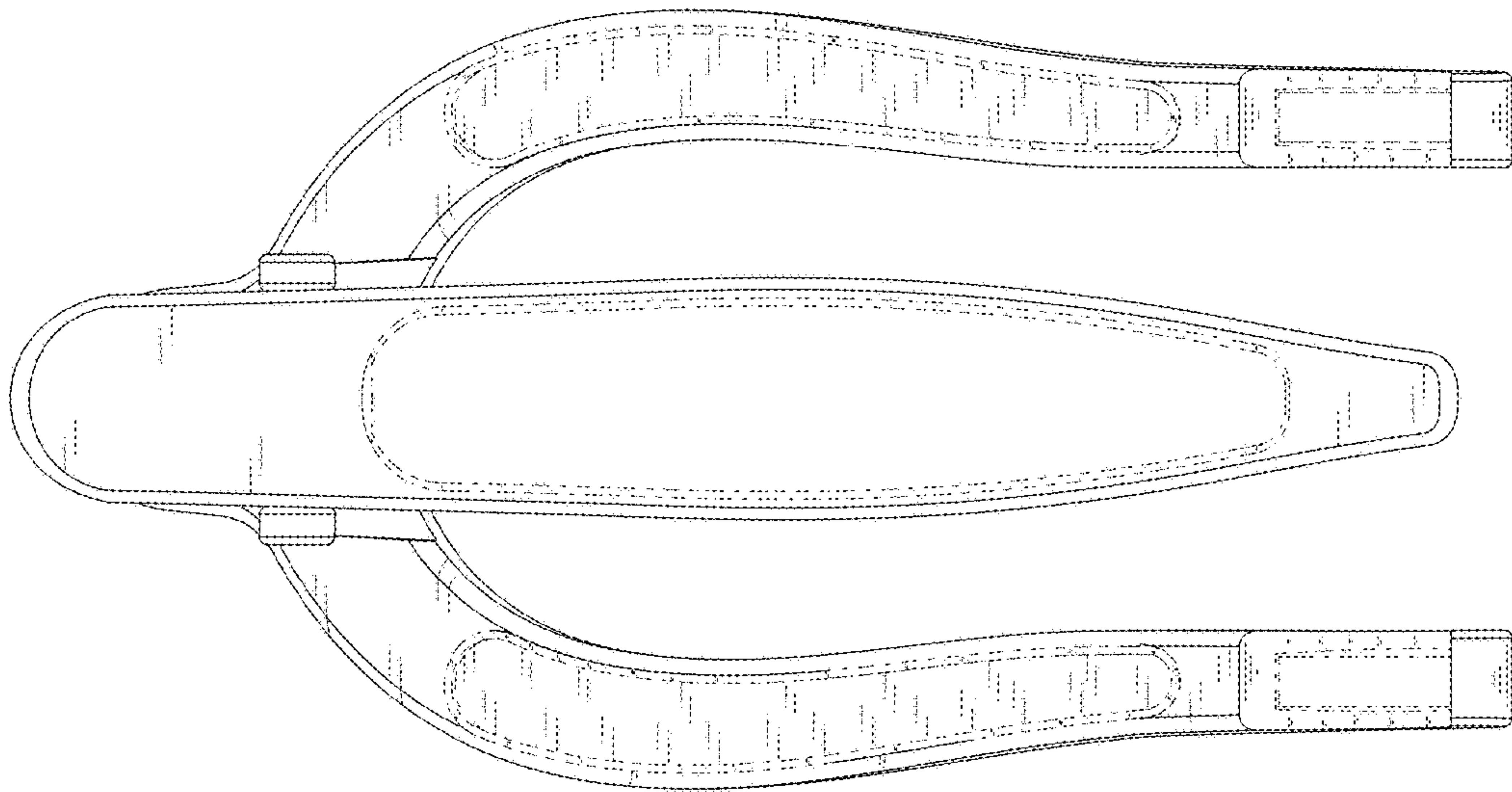


FIG. 3

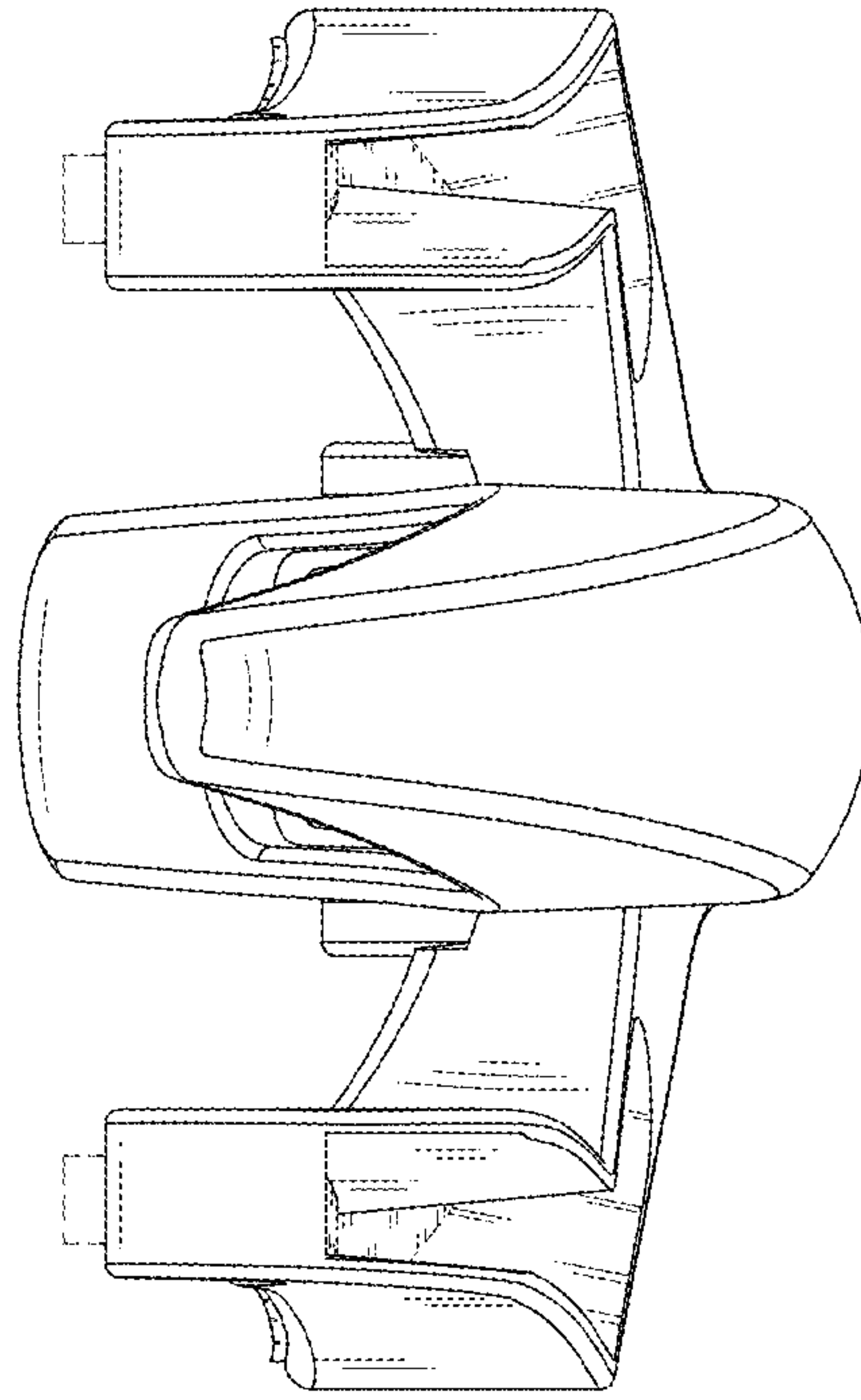


FIG. 4

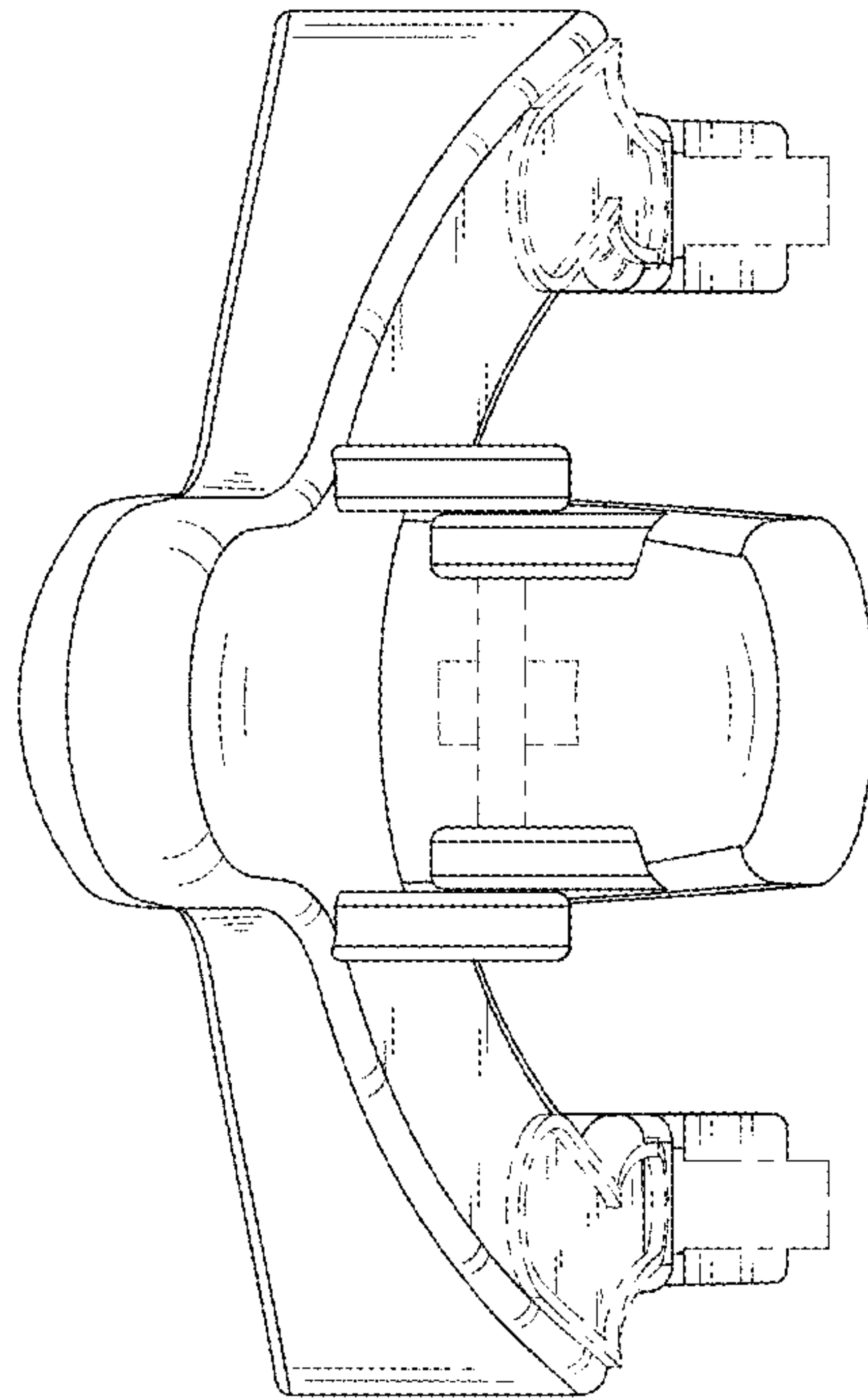


FIG. 5

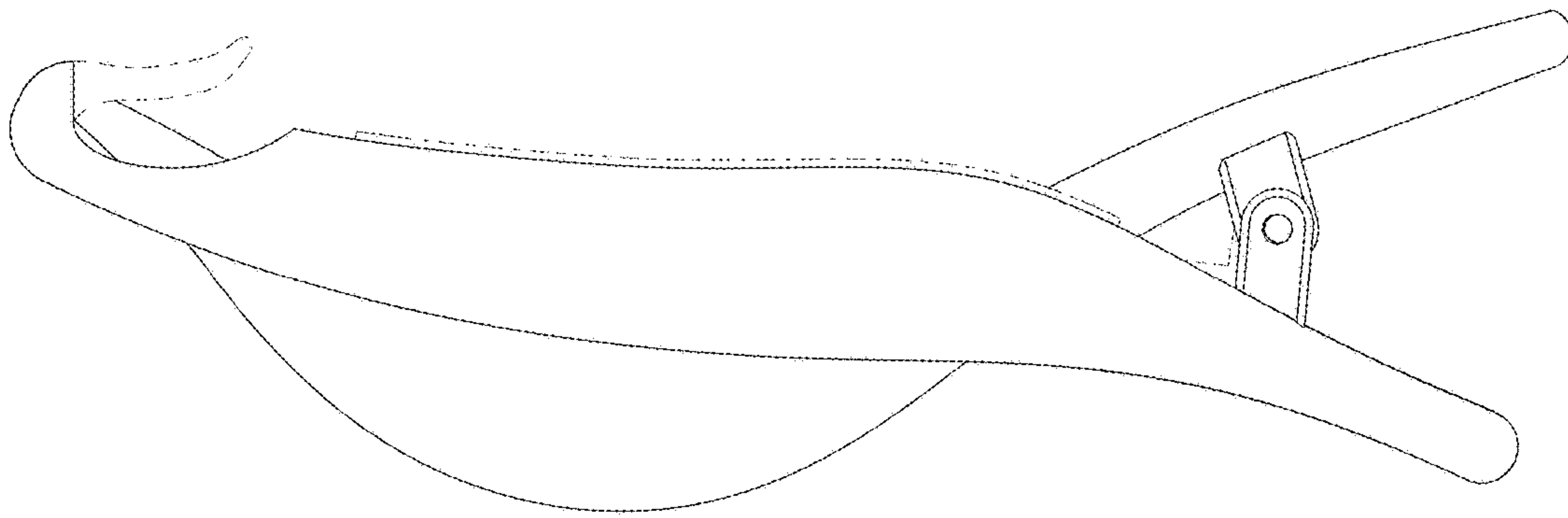


FIG. 6

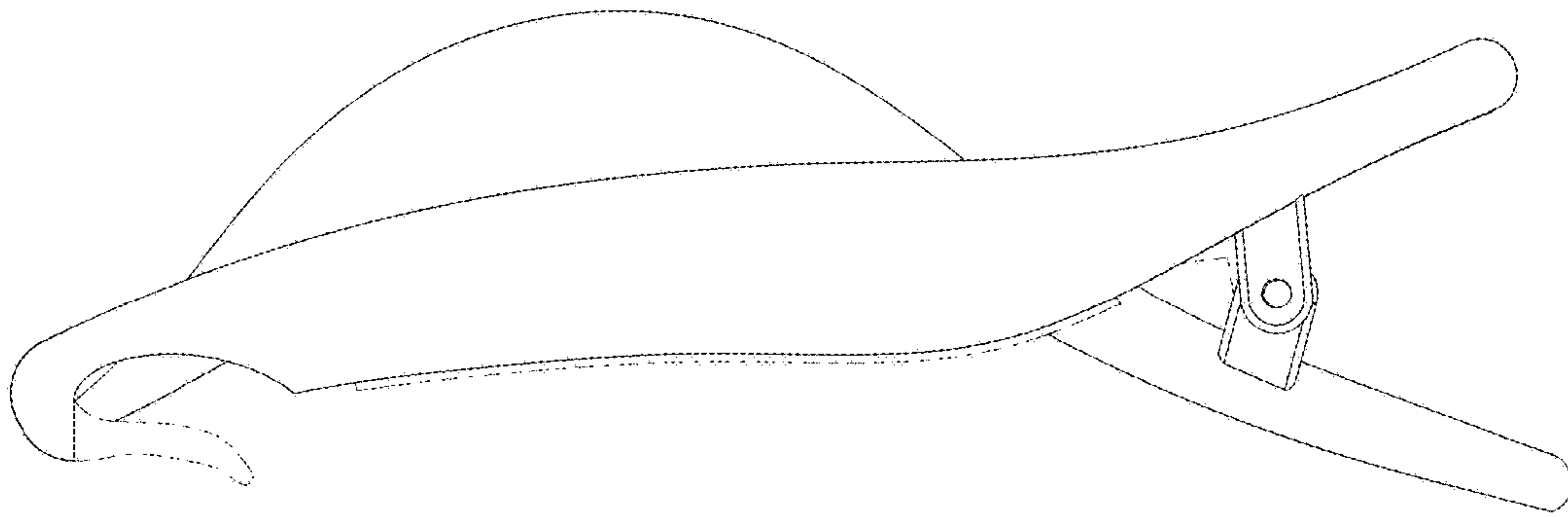


FIG. 7